



US00D555096S

(12) **United States Design Patent**  
**Peng**

(10) **Patent No.:** **US D555,096 S**

(45) **Date of Patent:** **\*\* Nov. 13, 2007**

(54) **CONNECTOR CONTACT**

(75) Inventor: **Yung Chi Peng**, Tu-Cheng (TW)

(73) Assignee: **Cheng Uei Precision Industry Co., Ltd.**, Taipei Hsien (TW)

(\*\*) Term: **14 Years**

(21) Appl. No.: **29/257,122**

(22) Filed: **Mar. 30, 2006**

(51) **LOC (8) Cl.** ..... **13-03**

(52) **U.S. Cl.** ..... **D13/133; D13/154**

(58) **Field of Classification Search** ..... **D13/133,**  
**D13/154, 184, 199; 439/397, 834, 845, 849-852,**  
**439/884-885, 887**

See application file for complete search history.

(56) **References Cited**

**U.S. PATENT DOCUMENTS**

D218,099 S \* 7/1970 Lynch et al. .... D13/133  
5,967,856 A \* 10/1999 Meller ..... 439/700  
6,083,059 A \* 7/2000 Kuan ..... 439/862

6,299,458 B1 \* 10/2001 Yamagami et al. .... 439/66  
2004/0142606 A1 \* 7/2004 Fogg ..... 439/862

\* cited by examiner

*Primary Examiner*—Daniel Bui

(74) *Attorney, Agent, or Firm*—Rosenberg, Klein & Lee

(57) **CLAIM**

The ornamental design for a connector contact, as shown and described.

**DESCRIPTION**

FIG. 1 is a perspective view of a connector contact showing my new design;

FIG. 2 is a front elevational view thereof;

FIG. 3 is a rear elevational view thereof;

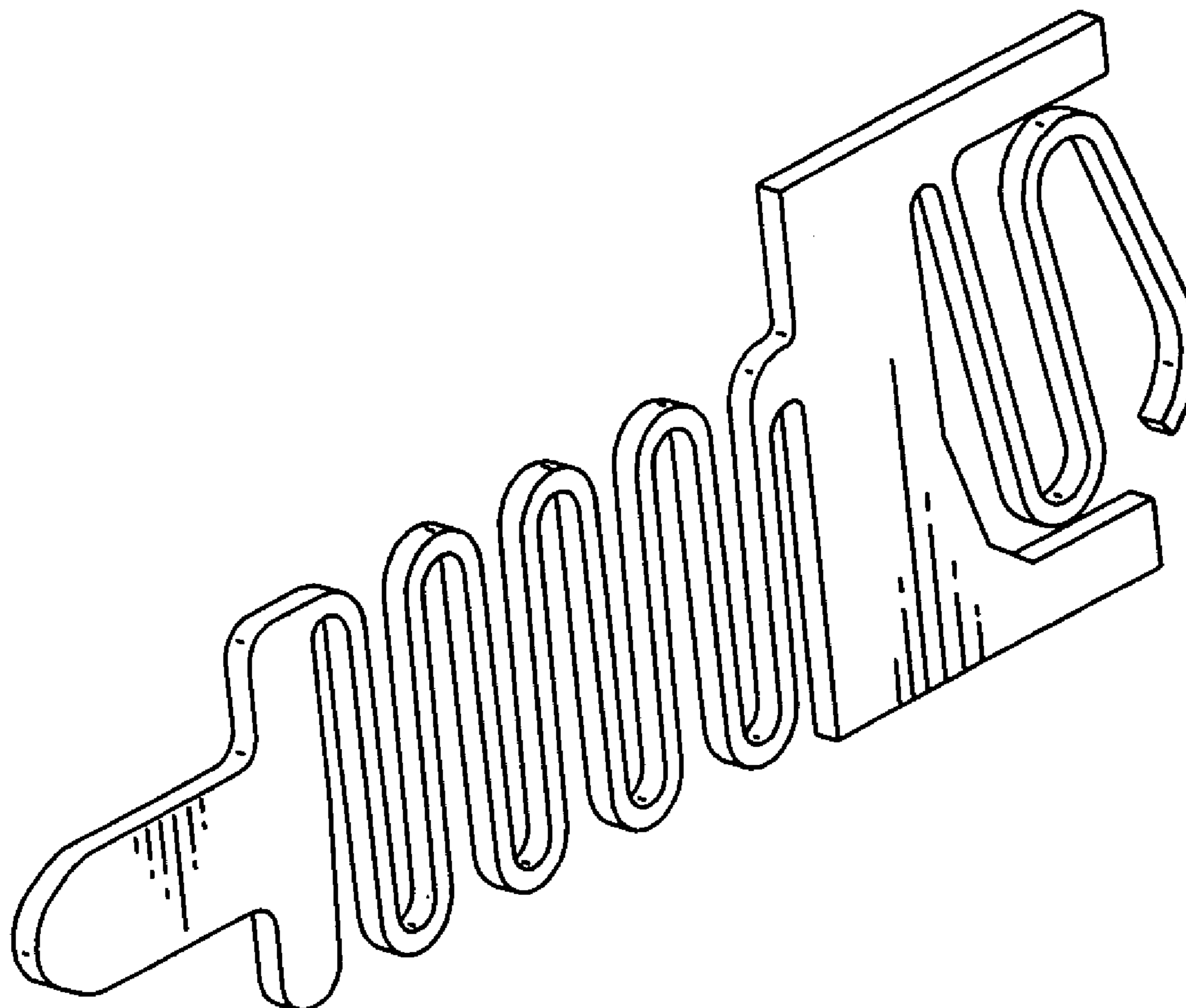
FIG. 4 is a left side elevational view thereof;

FIG. 5 is a right side elevational view thereof;

FIG. 6 is a top plan view thereof; and,

FIG. 7 is a bottom plan view thereof.

**1 Claim, 7 Drawing Sheets**



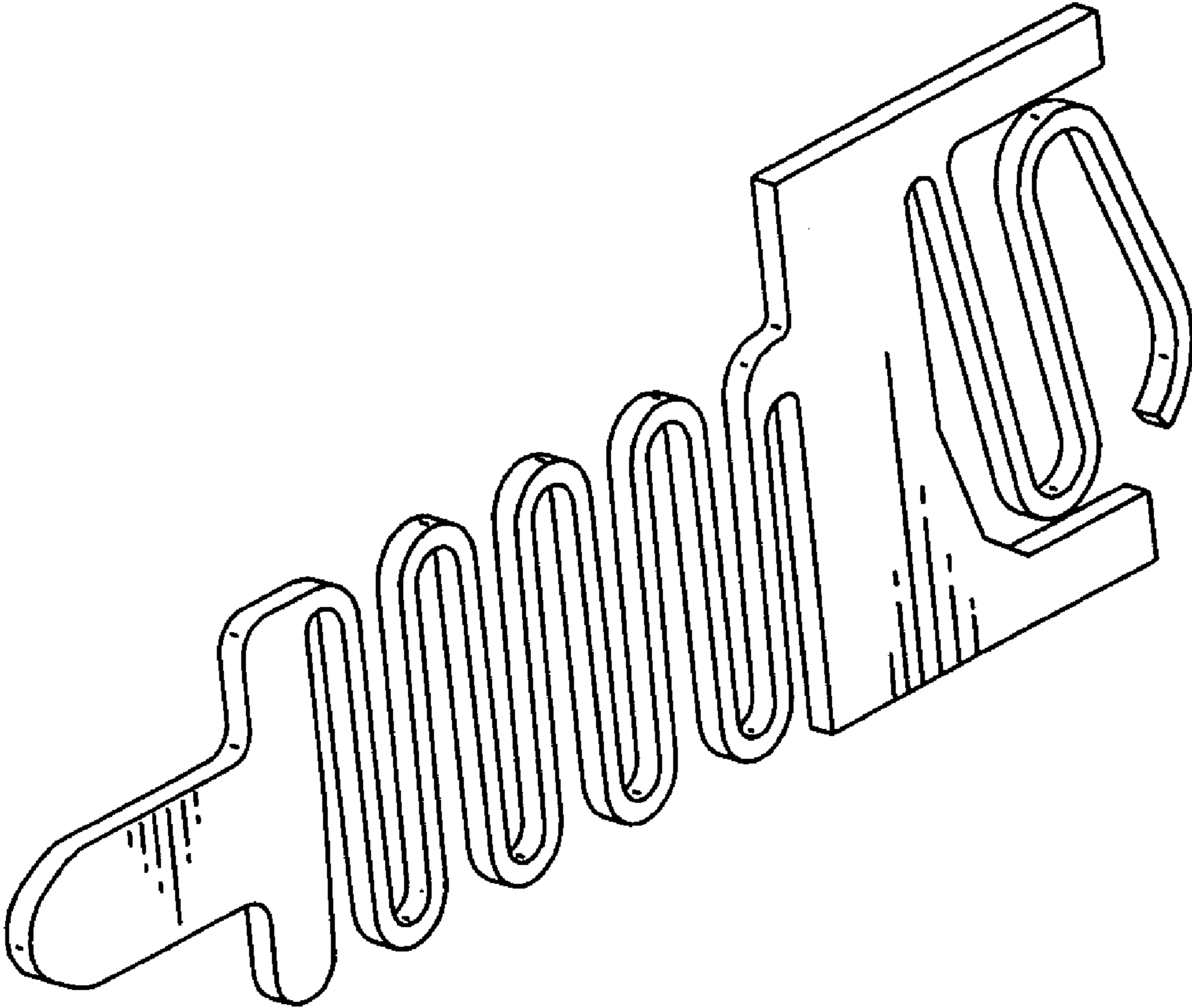


FIG. 1



FIG. 2



FIG. 3

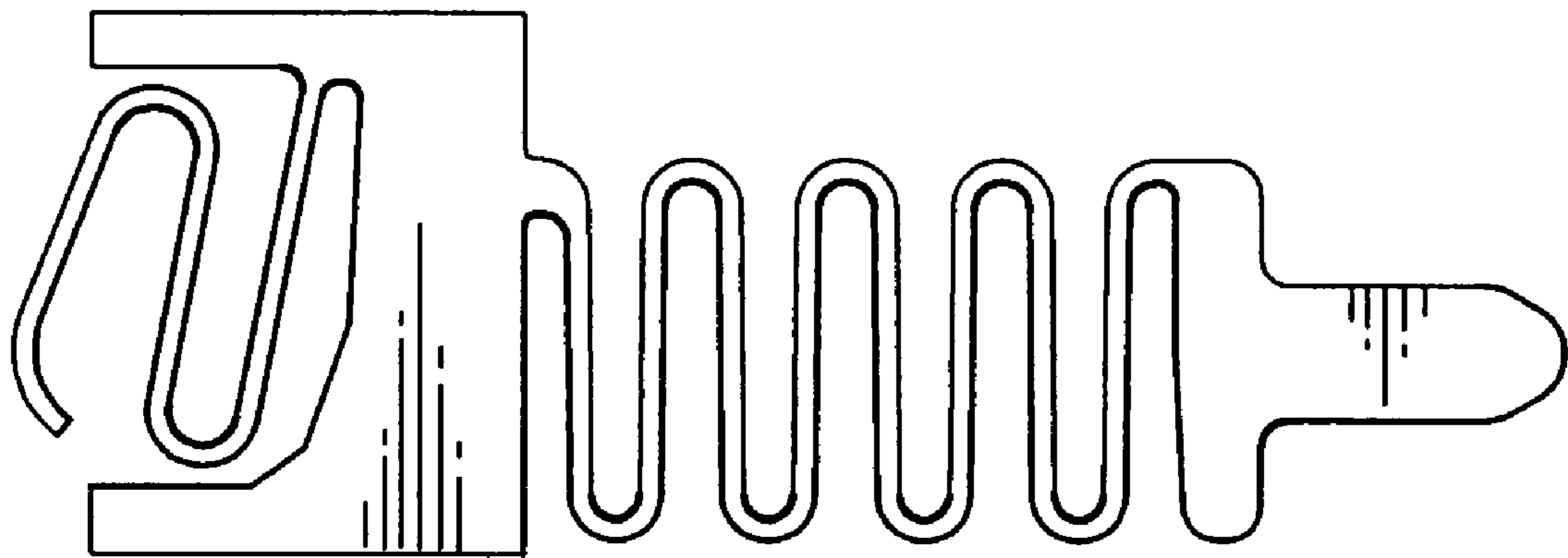


FIG. 4

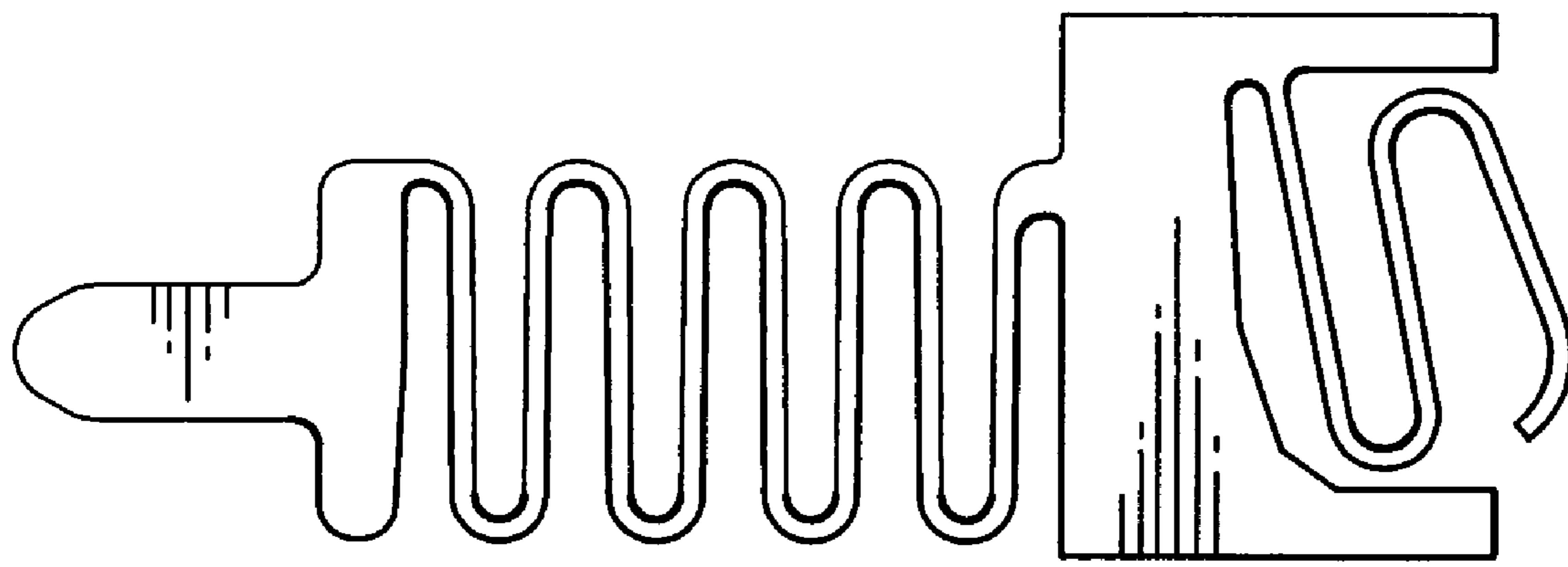


FIG. 5





FIG. 7