



US00D555095S

(12) **United States Design Patent**
Ho

(10) **Patent No.:** **US D555,095 S**

(45) **Date of Patent:** **** Nov. 13, 2007**

(54) **ELECTRICAL TERMINAL**

(75) Inventor: **Hsin-Tsung Ho, Tu-Cheng (TW)**

(73) Assignee: **Cheng Uei Precision Industry Co., Ltd., Taipei Hsien (TW)**

(**) Term: **14 Years**

(21) Appl. No.: **29/253,654**

(22) Filed: **Feb. 9, 2006**

(51) **LOC (8) Cl.** **13-03**

(52) **U.S. Cl.** **D13/133; D13/148; D13/149; D13/154**

(58) **Field of Classification Search** **D13/133, D13/148-149, 154, 184, 199; 439/395-400, 439/839, 845, 849-852, 861-862, 884-885, 439/888-891**

See application file for complete search history.

(56) **References Cited**

U.S. PATENT DOCUMENTS

- 3,852,702 A * 12/1974 Dowling 439/409
- 4,113,338 A * 9/1978 Spaulding 439/406
- 4,838,816 A * 6/1989 Matsusaka et al. 439/861

- D453,739 S * 2/2002 Lin D13/148
- D464,323 S * 10/2002 Harasawa et al. D13/154
- 6,616,485 B2 * 9/2003 Harasawa et al. 439/630
- D516,038 S * 2/2006 Liao et al. D13/154
- 2006/0128233 A1 * 6/2006 Matsuura et al. 439/845

* cited by examiner

Primary Examiner—Daniel Bui

(57) **CLAIM**

The ornamental design for an electrical terminal, as shown and described.

DESCRIPTION

FIG. 1 is a perspective view of an electrical terminal showing my new design;

FIG. 2 is a front elevation view thereof;

FIG. 3 is a rear elevation view thereof;

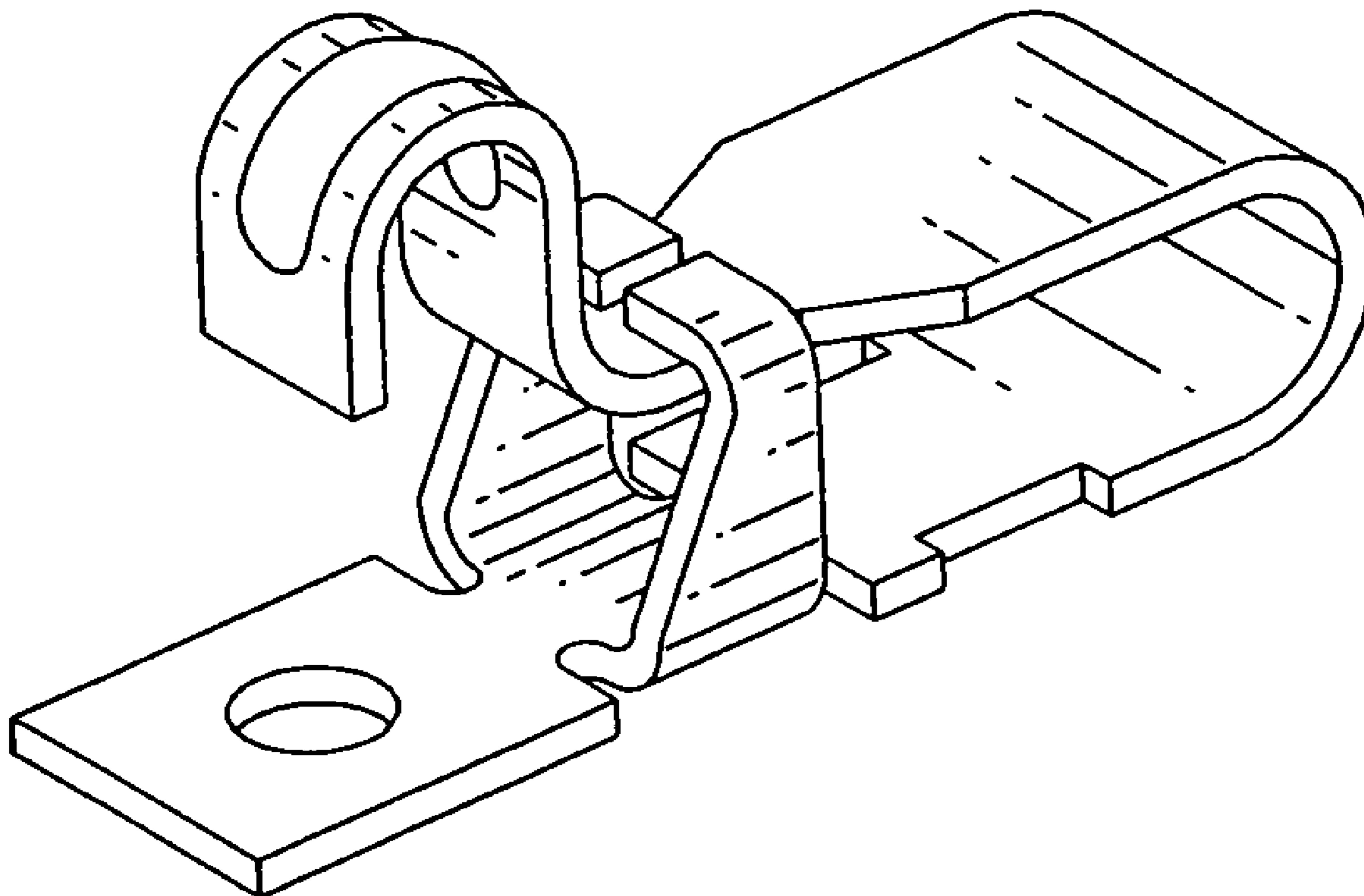
FIG. 4 is a left side elevation view thereof;

FIG. 5 is a right side elevation view thereof;

FIG. 6 is a top plan view thereof; and,

FIG. 7 is a bottom plan view thereof.

1 Claim, 7 Drawing Sheets



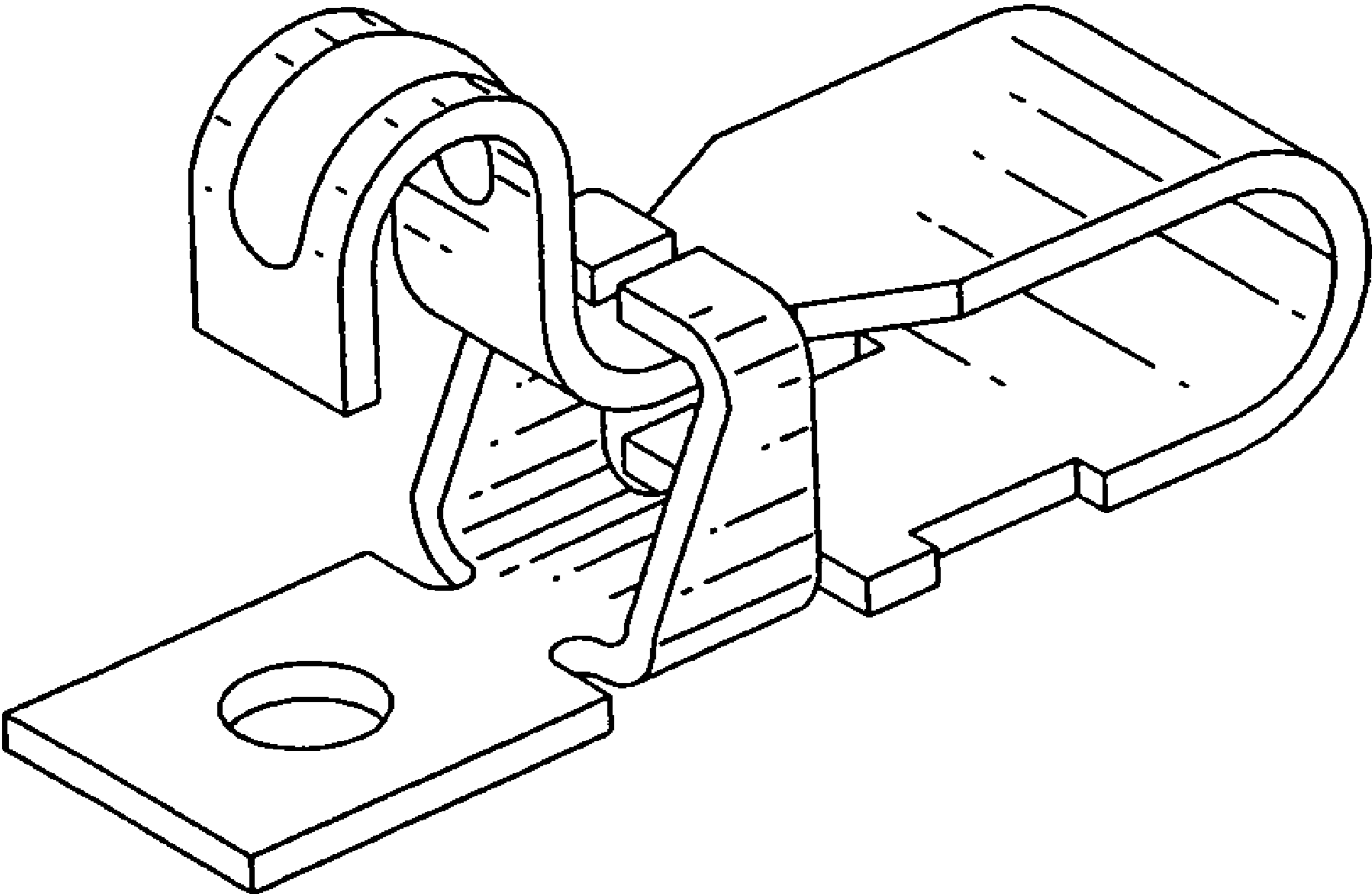


FIG. 1

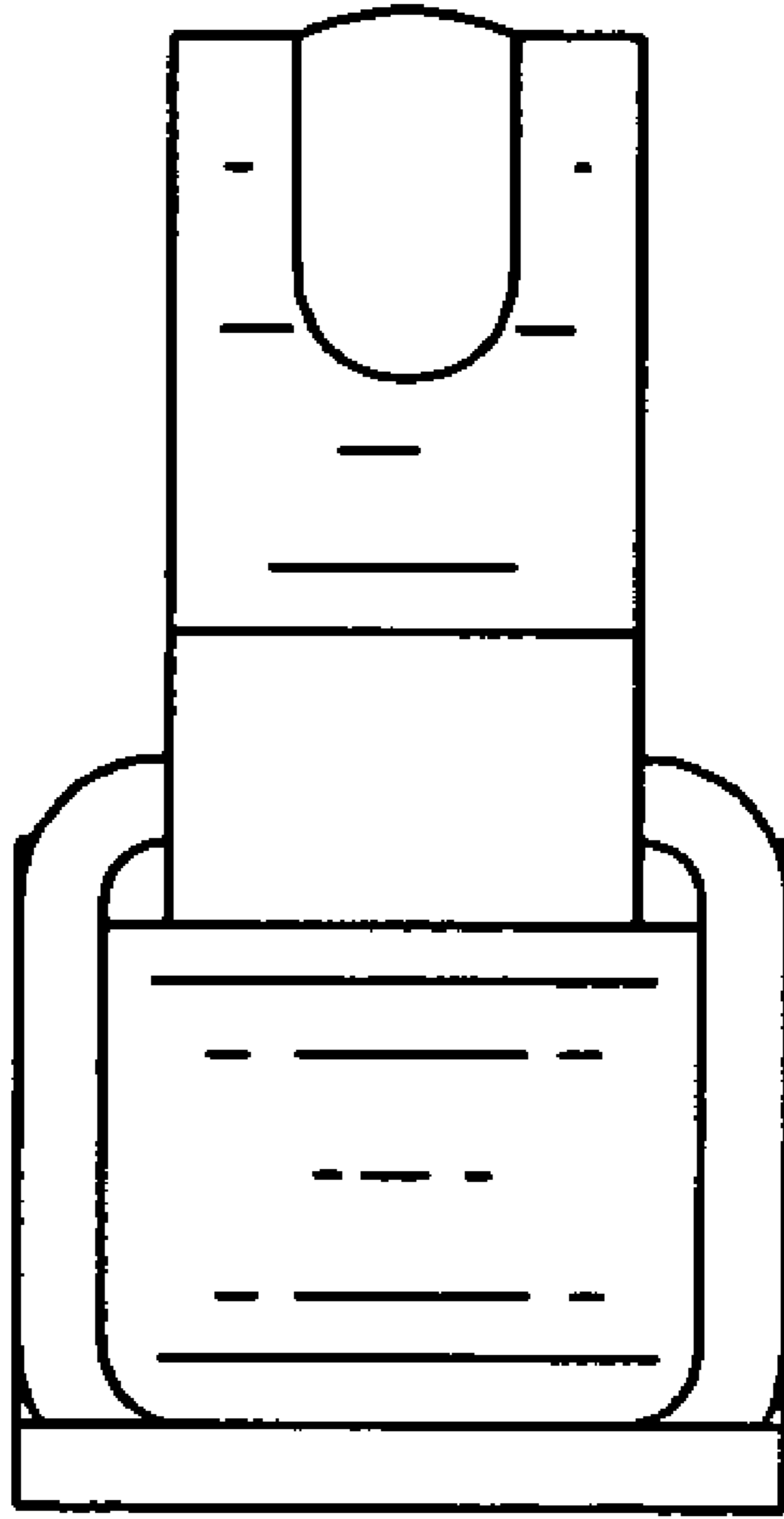


FIG. 2

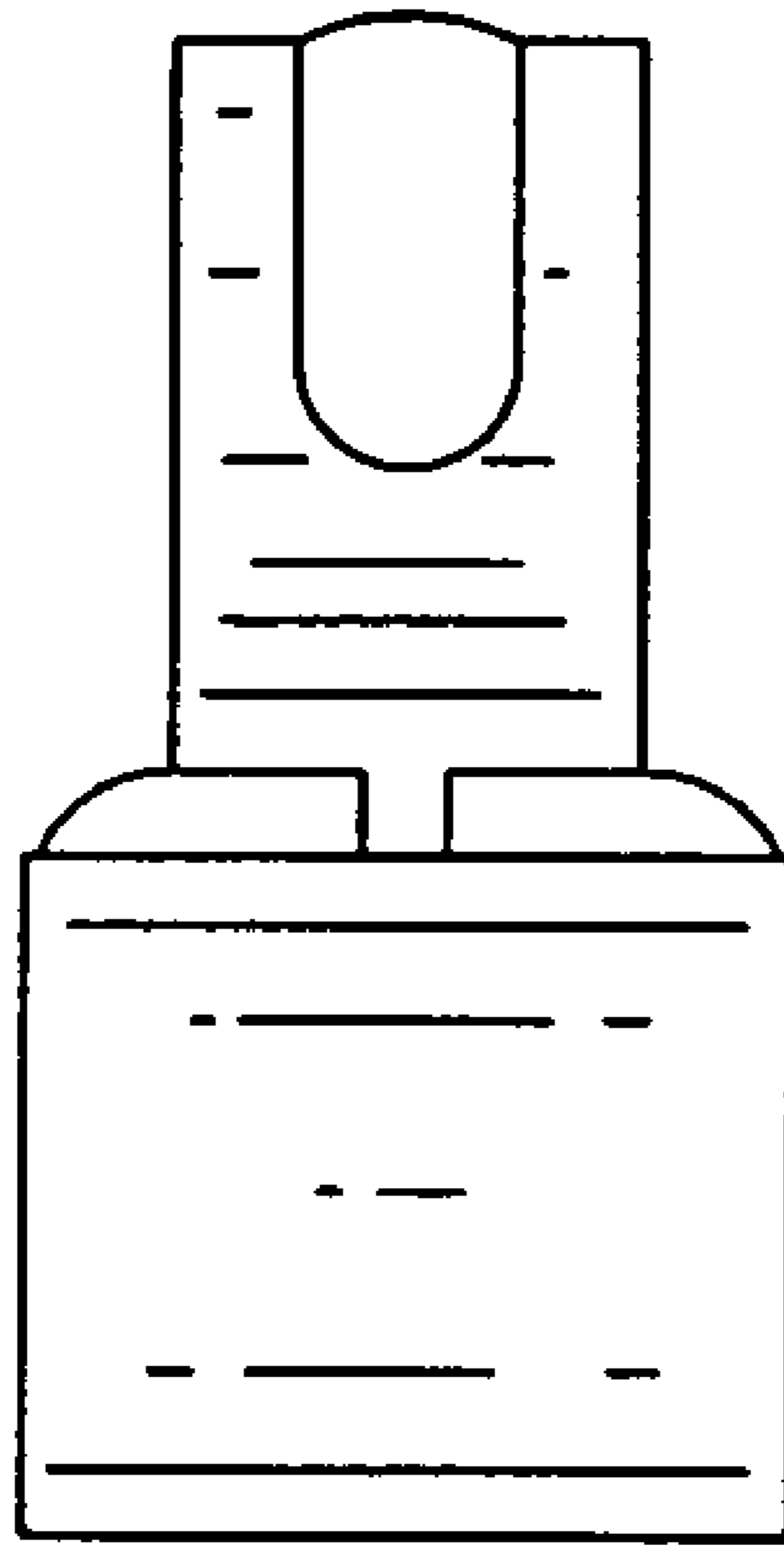


FIG. 3

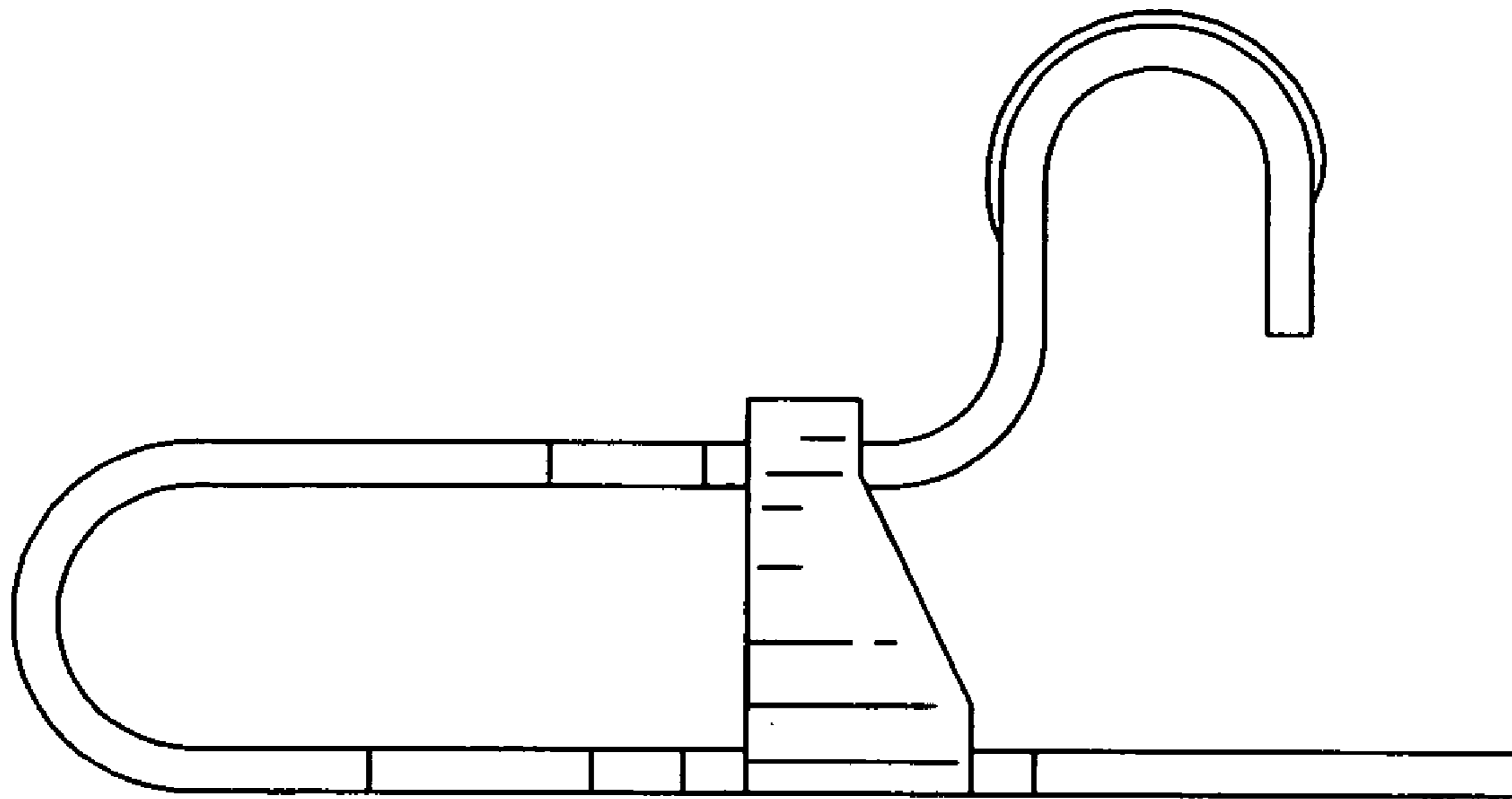


FIG. 4

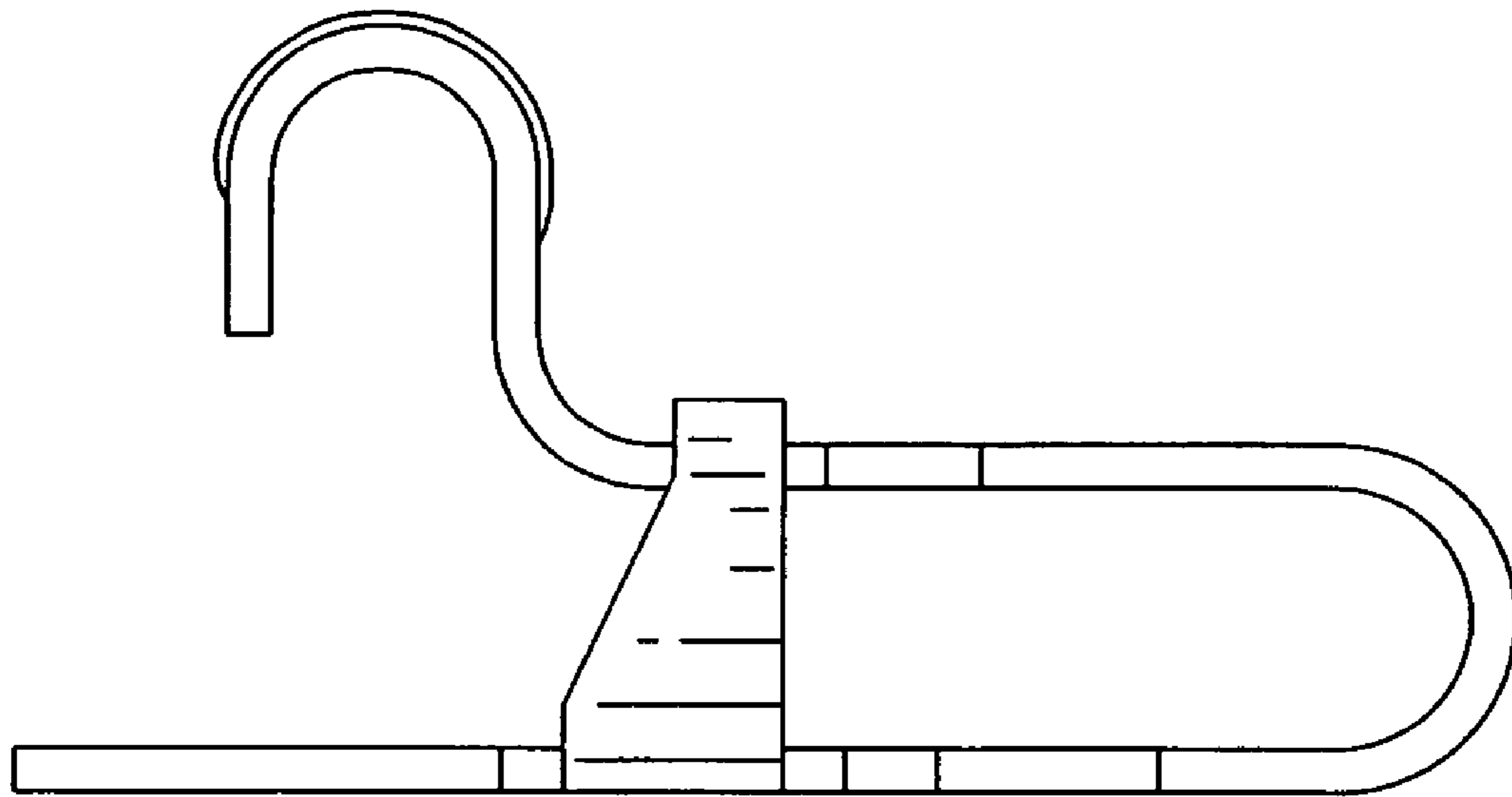


FIG. 5

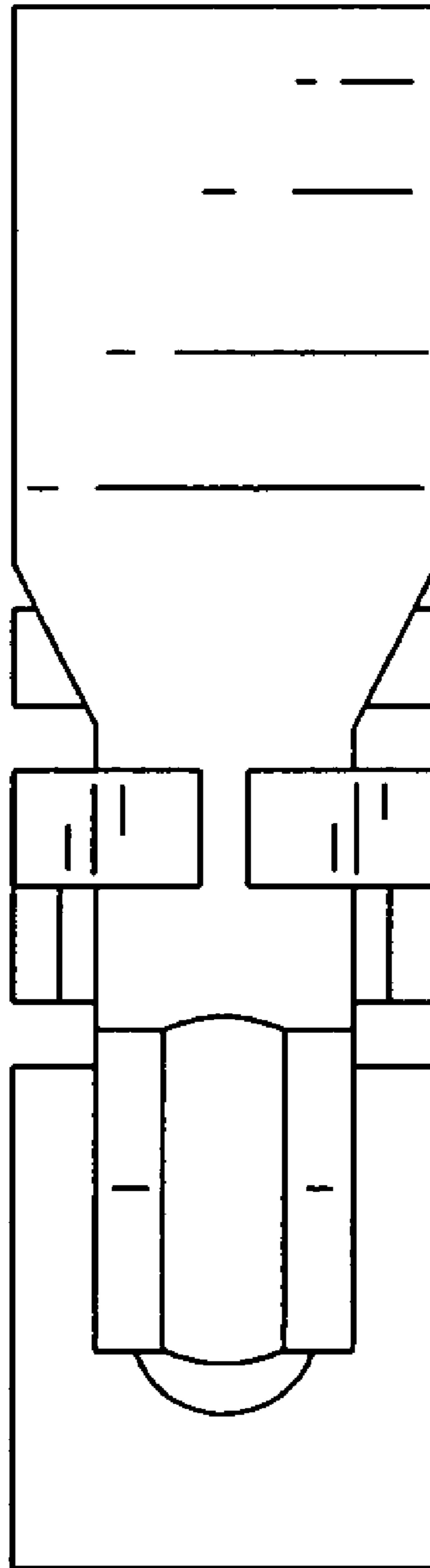


FIG. 6

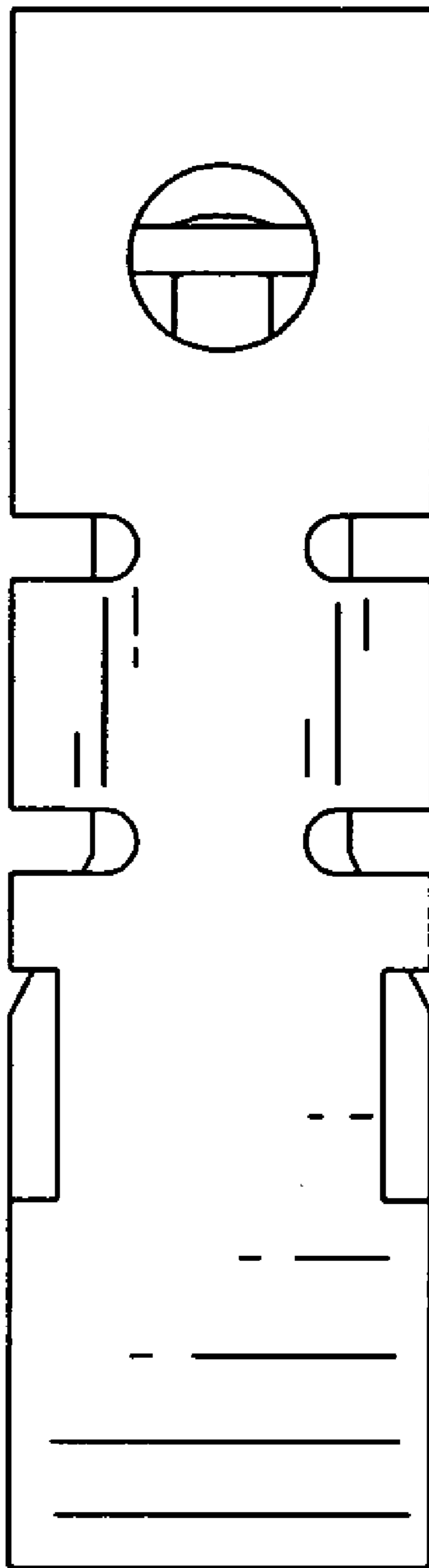


FIG. 7