



US00D555092S

(12) **United States Design Patent**  
**Li et al.**

(10) **Patent No.:** **US D555,092 S**

(45) **Date of Patent:** **\*\* Nov. 13, 2007**

(54) **CONTACT OF ELECTRICAL CONNECTOR**

(75) Inventors: **Wei-Guo Li**, Kunshan (CN); **Wei-Hua Pan**, Kunshan (CN); **Ming Zhang**, Kunshan (CN)

(73) Assignee: **Hon Hai Precision Ind. Co., Ltd**, Taipei Hsien (TW)

(\*\*) Term: **14 Years**

(21) Appl. No.: **29/245,507**

(22) Filed: **Dec. 23, 2005**

(30) **Foreign Application Priority Data**

Aug. 31, 2005 (CN) ..... 2005 3 0088898

(51) **LOC (8) Cl.** ..... **13-03**

(52) **U.S. Cl.** ..... **D13/133; D13/154**

(58) **Field of Classification Search** ..... D13/133, D13/148-149, 154, 184, 199; 439/395-400, 439/839, 845, 849-852, 861-862, 884-885, 439/888-891

See application file for complete search history.

(56) **References Cited**

**U.S. PATENT DOCUMENTS**

D365,325 S \* 12/1995 Hamada et al. .... D13/133  
6,280,230 B1 \* 8/2001 Takase et al. .... 439/397

6,319,038 B1 \* 11/2001 Howell et al. .... 439/342  
D464,322 S \* 10/2002 Hiramoto et al. .... D13/154  
6,554,633 B1 \* 4/2003 Nobuyuki et al. .... 439/342  
D516,039 S \* 2/2006 Lei et al. .... D13/154  
D516,521 S \* 3/2006 Yao et al. .... D13/154  
D517,019 S \* 3/2006 Yao et al. .... D13/154  
2002/0048989 A1 \* 4/2002 Sawada et al. .... 439/404  
2006/0134950 A1 \* 6/2006 Liao et al. .... 439/83

\* cited by examiner

*Primary Examiner*—Daniel Bui

(74) *Attorney, Agent, or Firm*—Wei Te Chung

(57) **CLAIM**

The ornamental design for a contact of electrical connector, as shown.

**DESCRIPTION**

FIG. 1 is a top, front and right side perspective view of a contact of electrical connector showing our new design;

FIG. 2 is a front elevational view thereof;

FIG. 3 is a rear elevational view thereof;

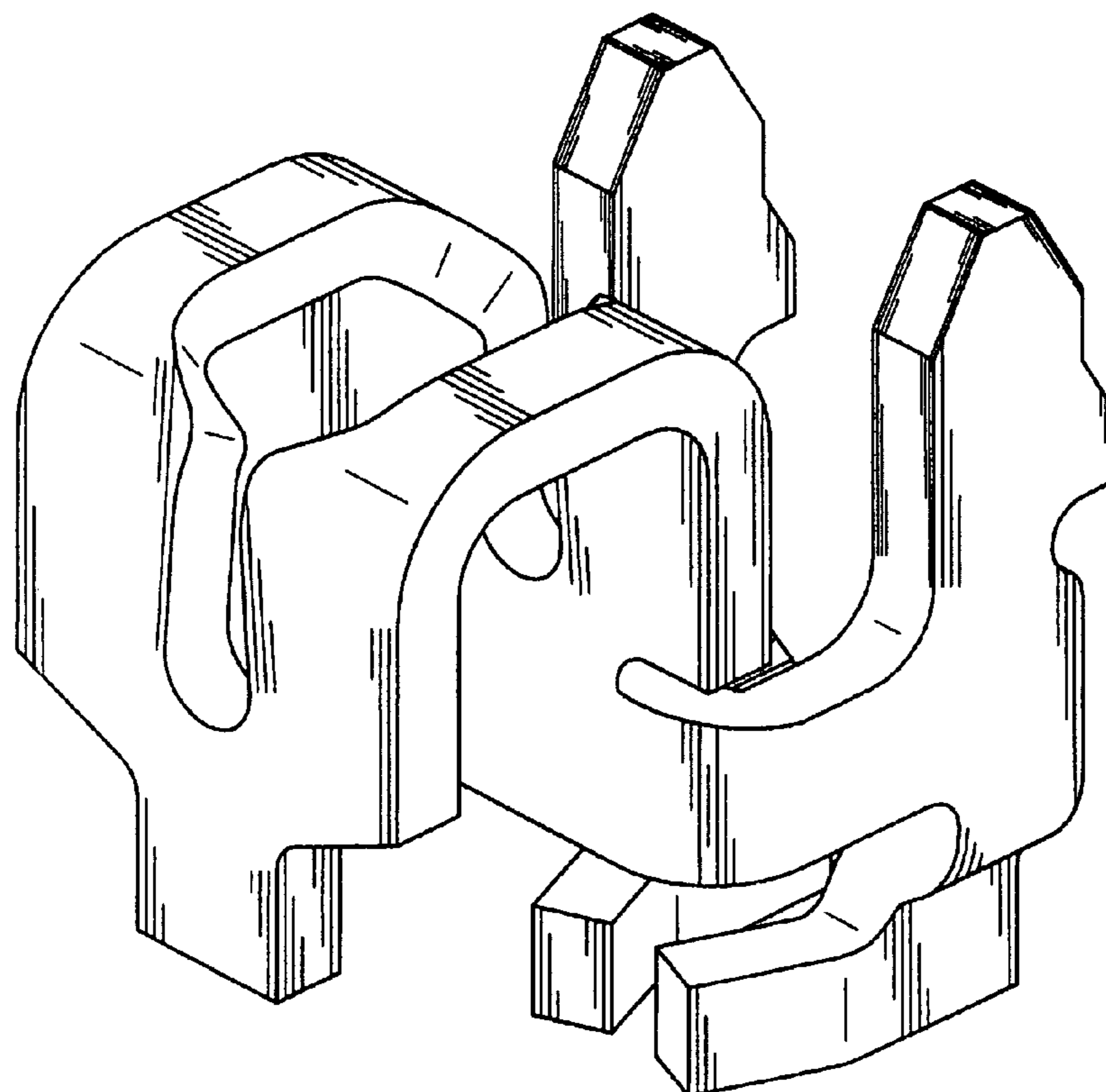
FIG. 4 is a left side elevational view of thereof;

FIG. 5 is a right side elevational view of thereof;

FIG. 6 is a top plan view of thereof; and,

FIG. 7 is a bottom plan view of thereof.

**1 Claim, 7 Drawing Sheets**



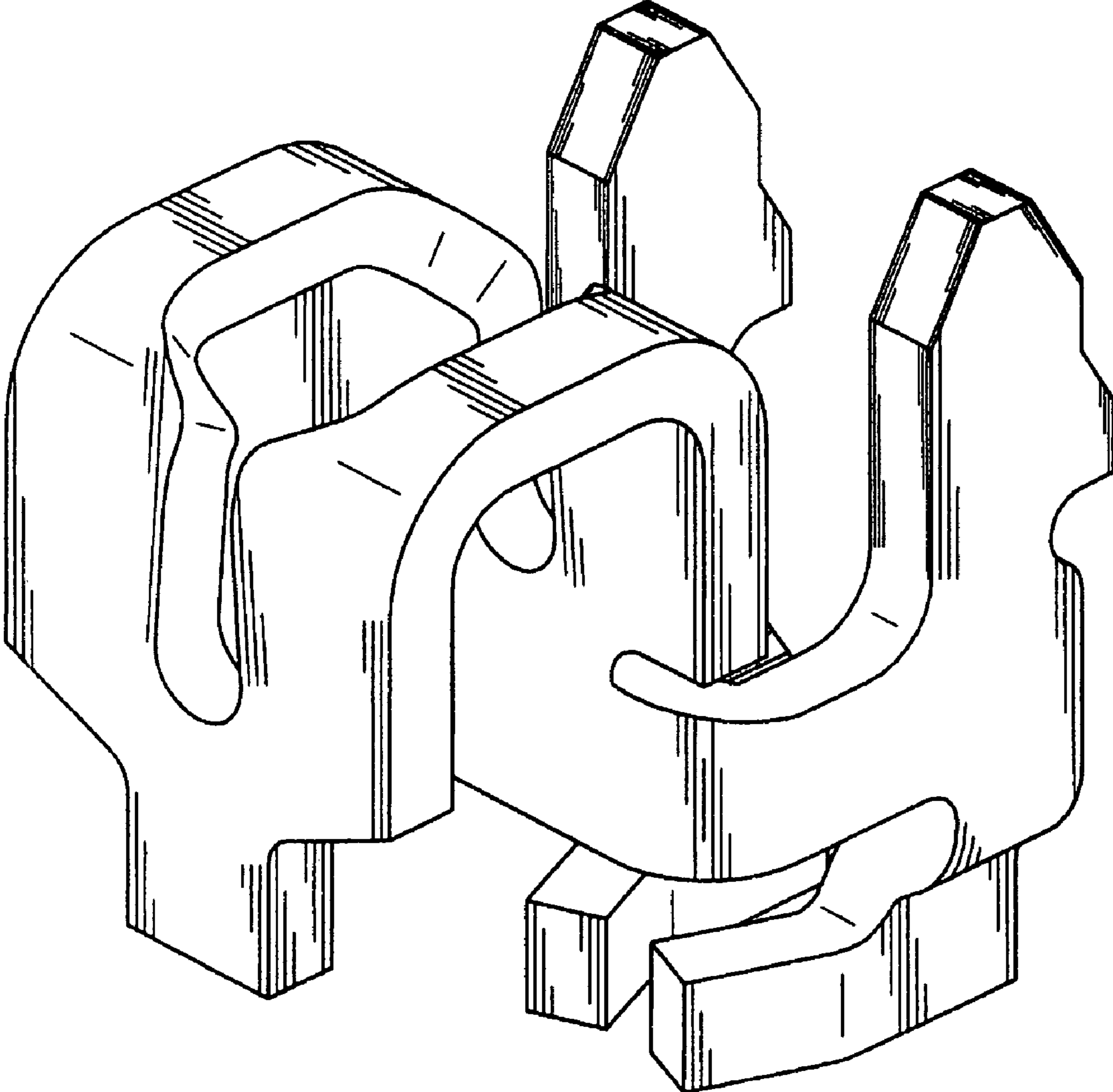


FIG. 1

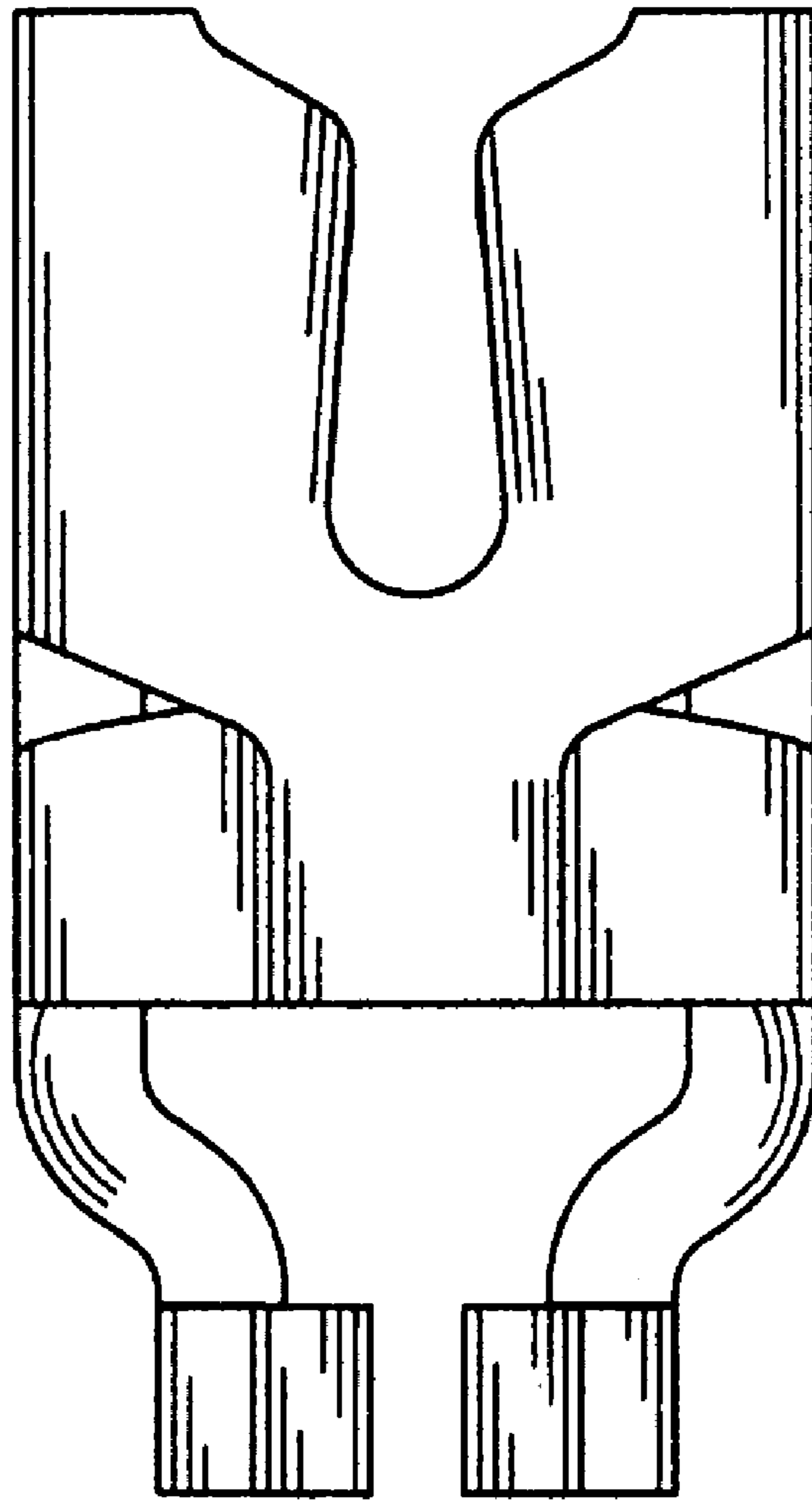


FIG. 2

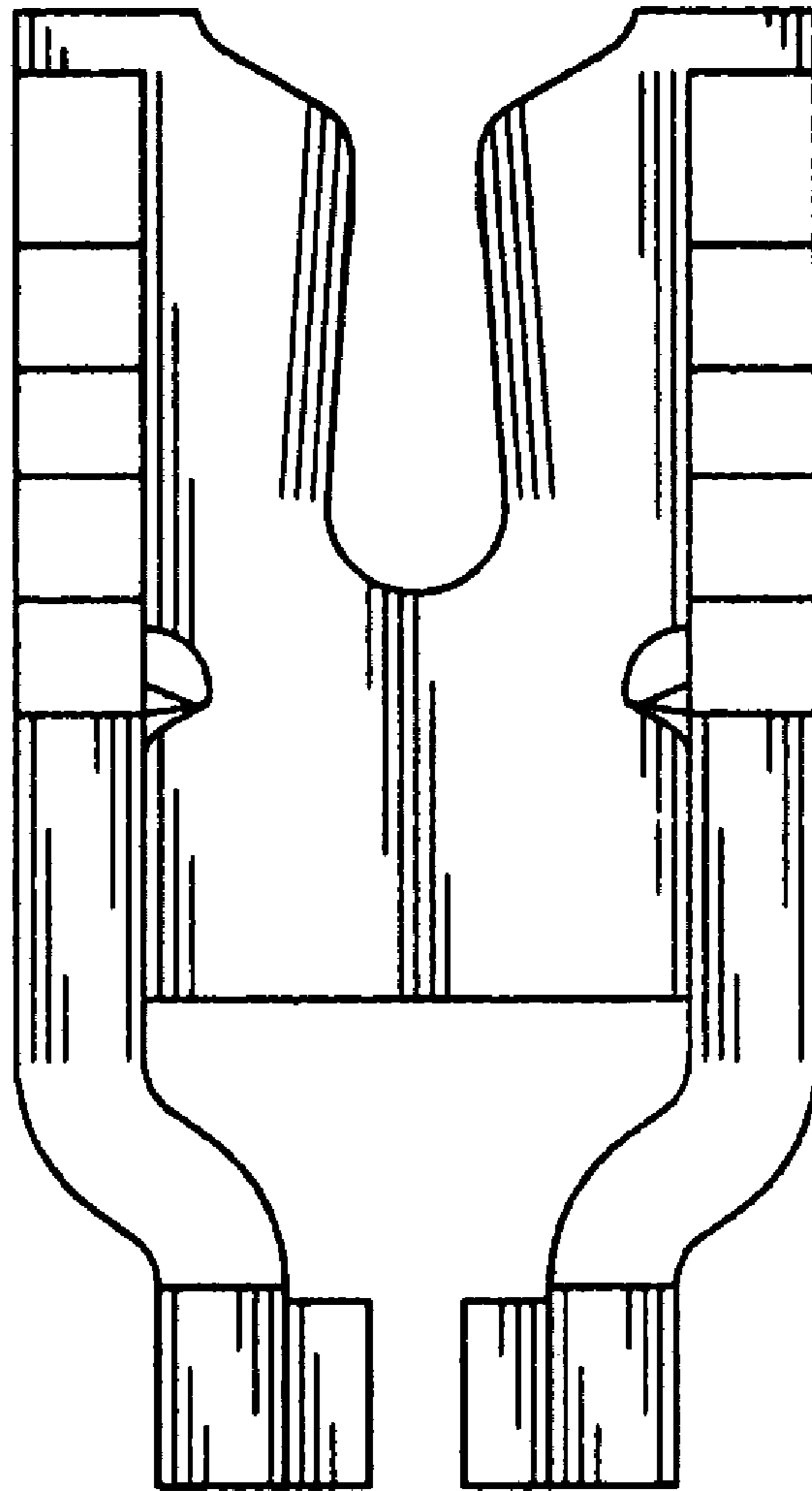


FIG. 3

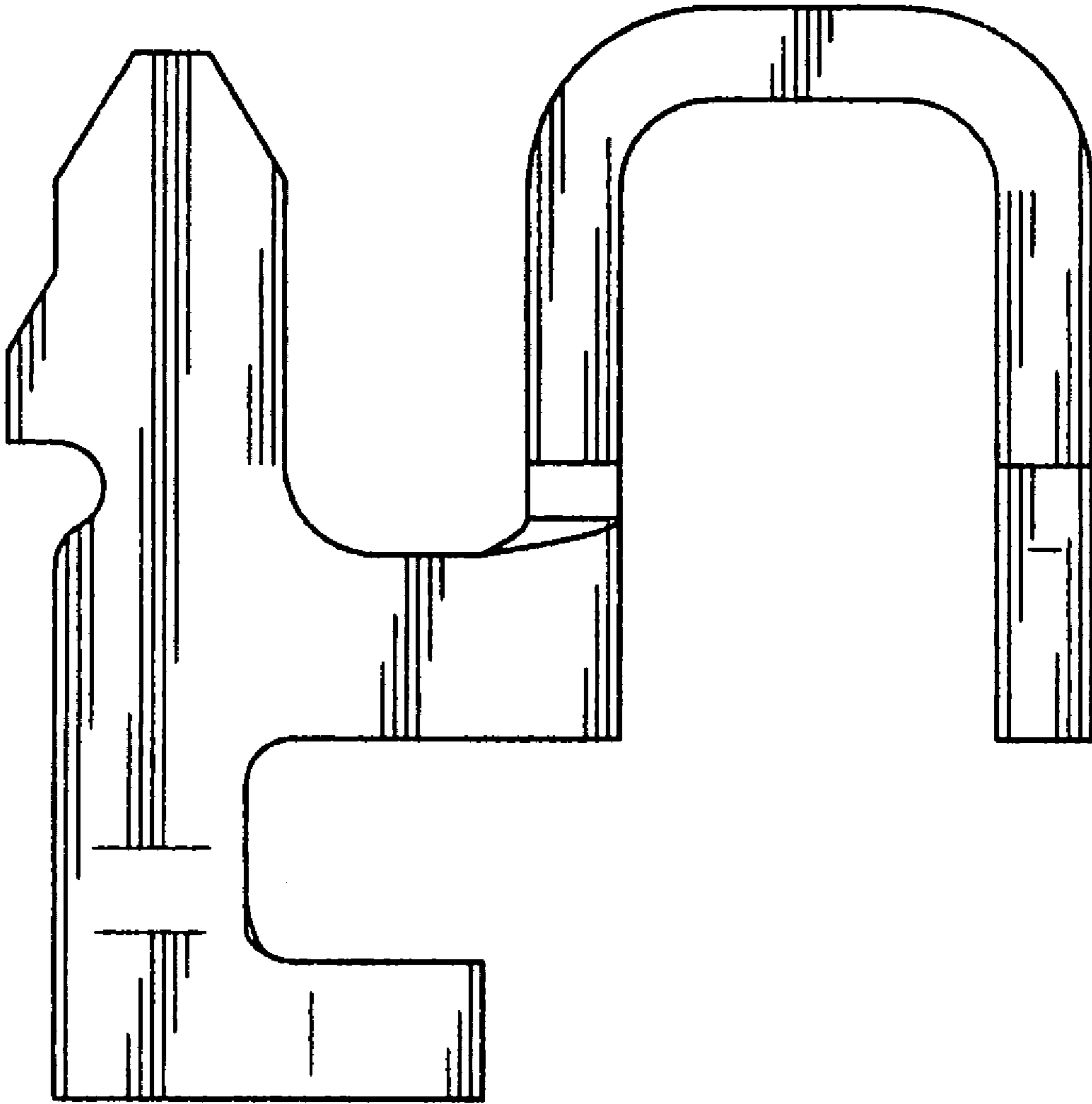


FIG. 4

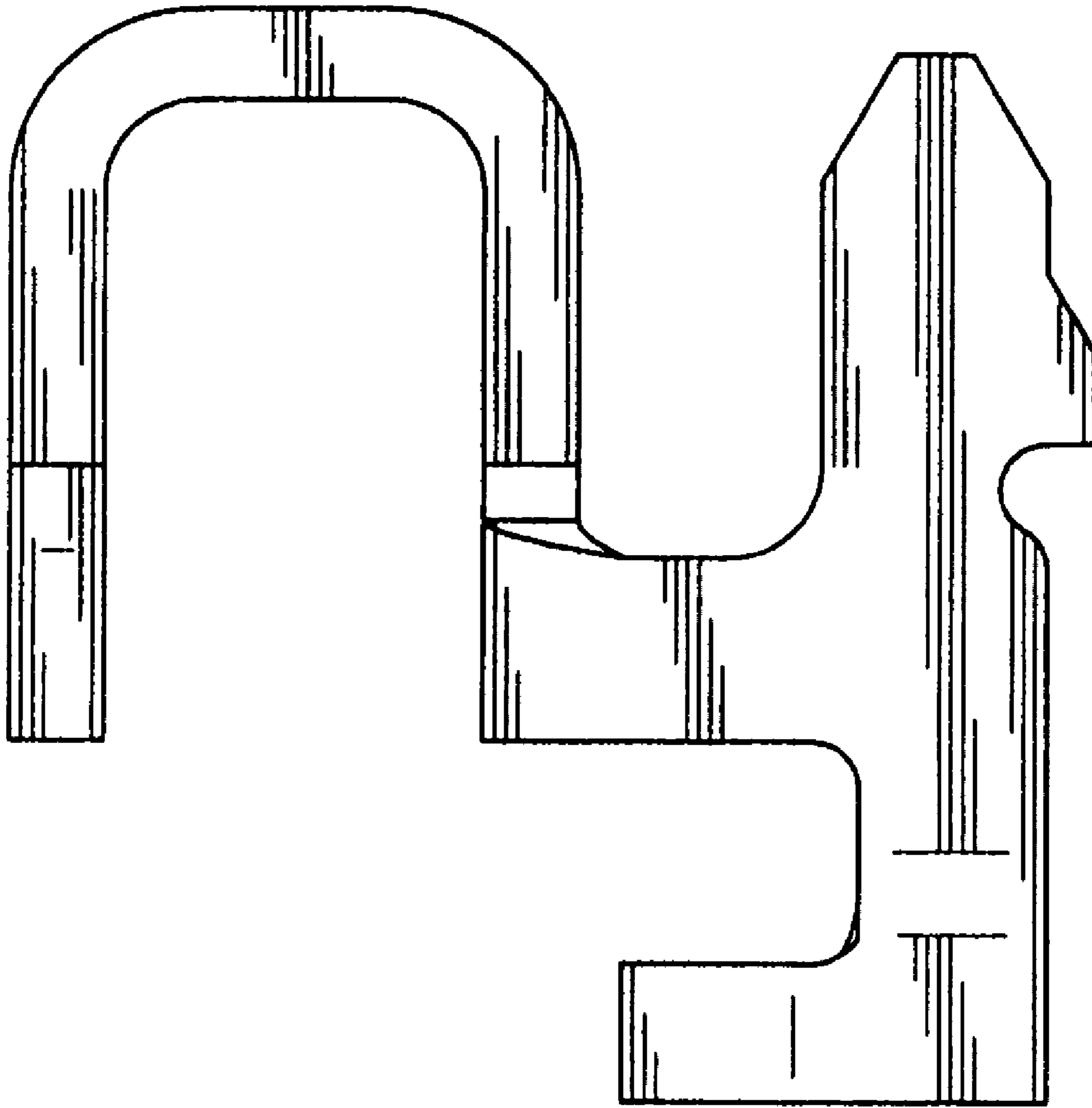


FIG. 5

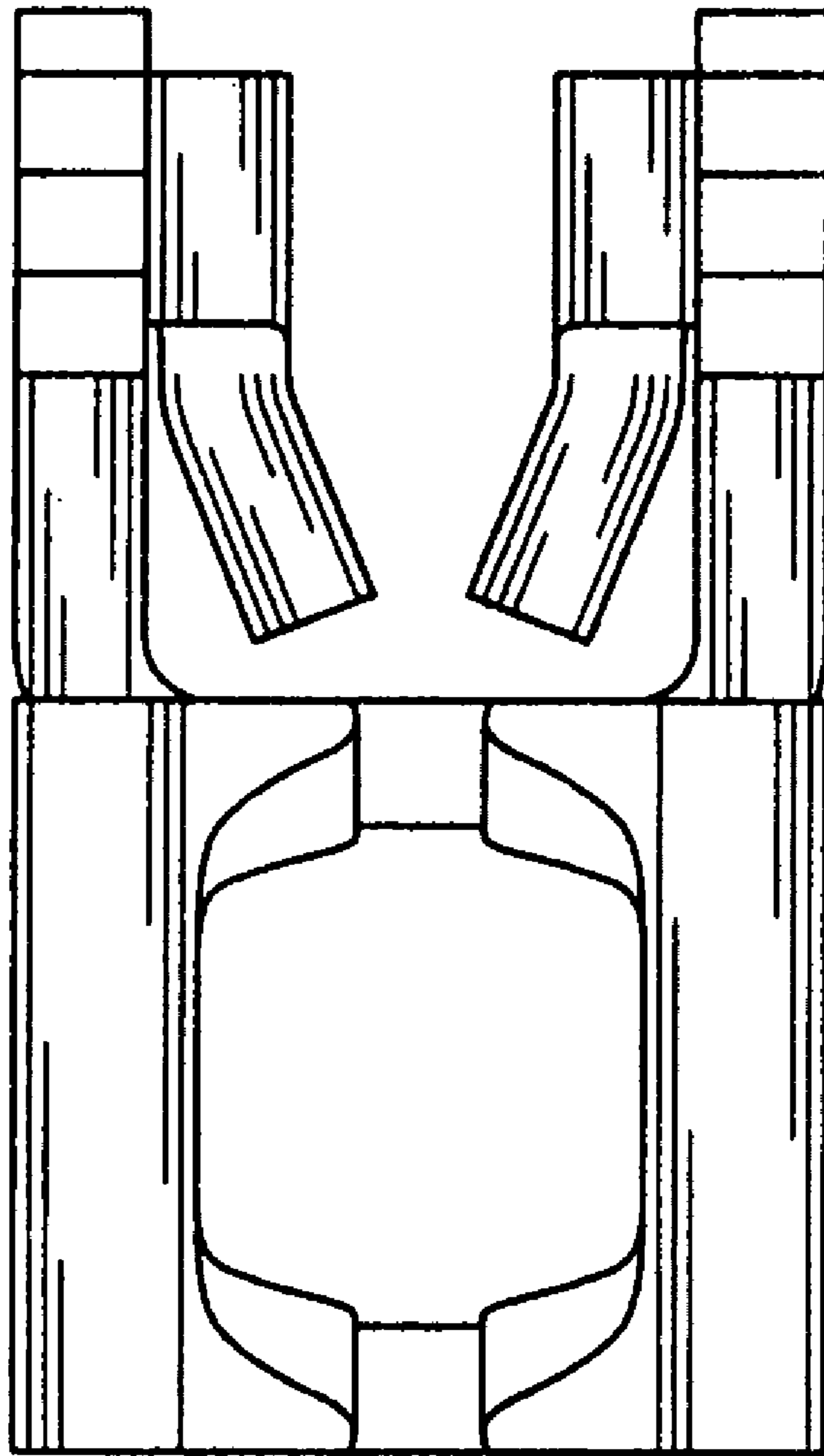


FIG. 6

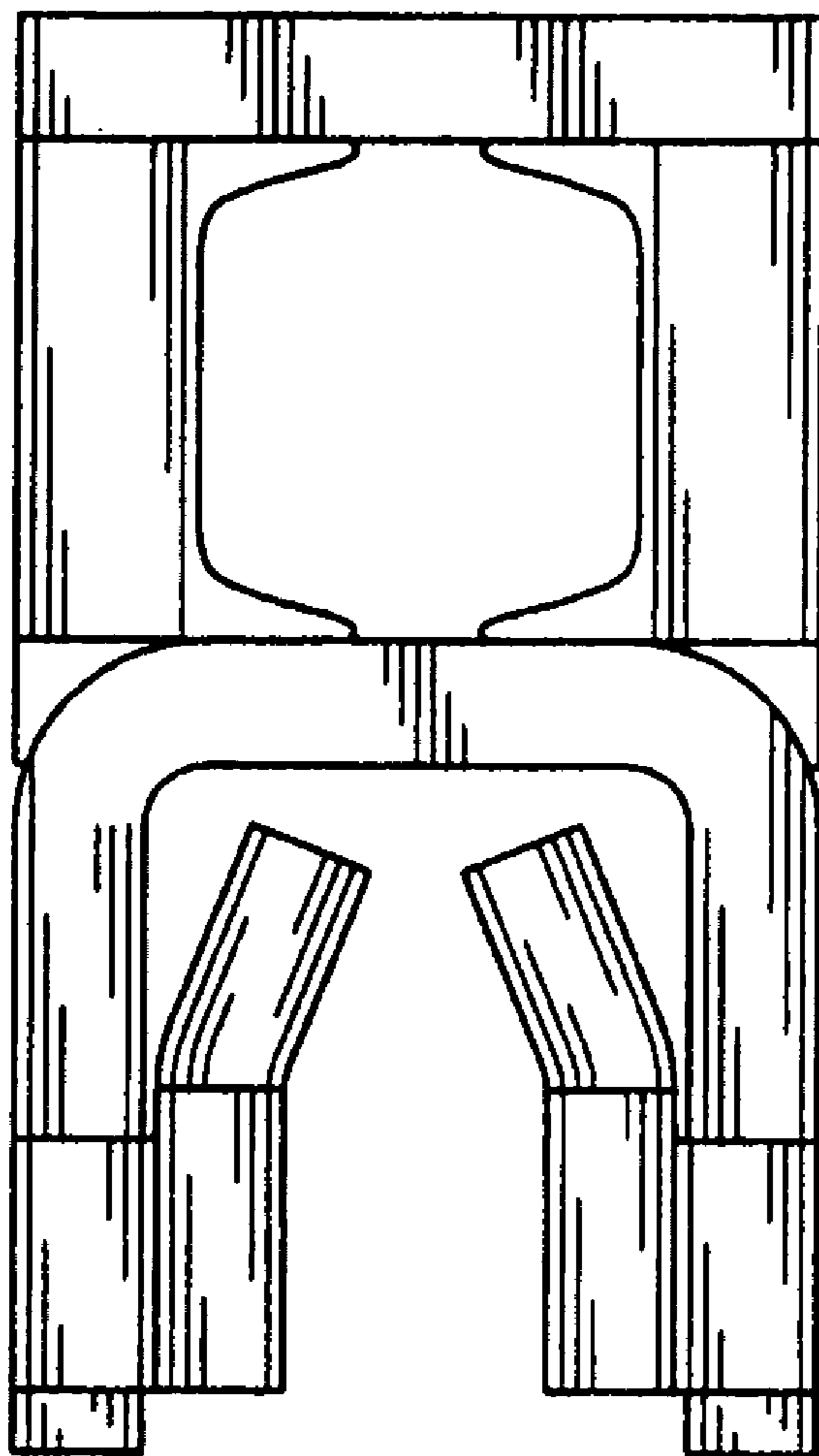


FIG. 7