



US00D555091S

(12) **United States Design Patent**
Kawase et al.

(10) **Patent No.:** **US D555,091 S**

(45) **Date of Patent:** **** Nov. 13, 2007**

(54) **ELECTRICAL CONNECTOR**

(75) Inventors: **Koji Kawase**, Tokyo (JP); **Kazukuni Hisatomi**, Tokyo (JP)

(73) Assignee: **Japan Aviation Electronics Industry, Limited**, Tokyo (JP)

(**) Term: **14 Years**

(21) Appl. No.: **29/222,166**

(22) Filed: **Jan. 26, 2005**

(51) **LOC (8) Cl.** **13-03**

(52) **U.S. Cl.** **D13/133**

(58) **Field of Classification Search** D13/123,
D13/133, 146-147, 148, 154, 184, 199; D14/432-436;
439/79, 350-351, 377, 557, 607, 892
See application file for complete search history.

(56) **References Cited**

U.S. PATENT DOCUMENTS

- D330,006 S * 10/1992 Kamakura et al. D13/123
- 5,396,401 A * 3/1995 Nemoz 361/690
- D373,349 S * 9/1996 Millard D14/432
- D398,004 S * 9/1998 Klinker D14/436
- D448,345 S * 9/2001 Fristedt D13/133
- D474,742 S * 5/2003 Naganawa et al. D13/133

D482,692 S * 11/2003 Nishio et al. D14/433

* cited by examiner

Primary Examiner—Daniel Bui

(74) *Attorney, Agent, or Firm*—Collard & Roe, P.C.

(57) **CLAIM**

The ornamental design for an electrical connector, as shown and described.

DESCRIPTION

FIG. 1 is a front elevational view of an electrical connector showing our new design;

FIG. 2 is a top plan view thereof;

FIG. 3 is a bottom plan view thereof;

FIG. 4 is a rear elevational view thereof;

FIG. 5 is a left side elevational view thereof;

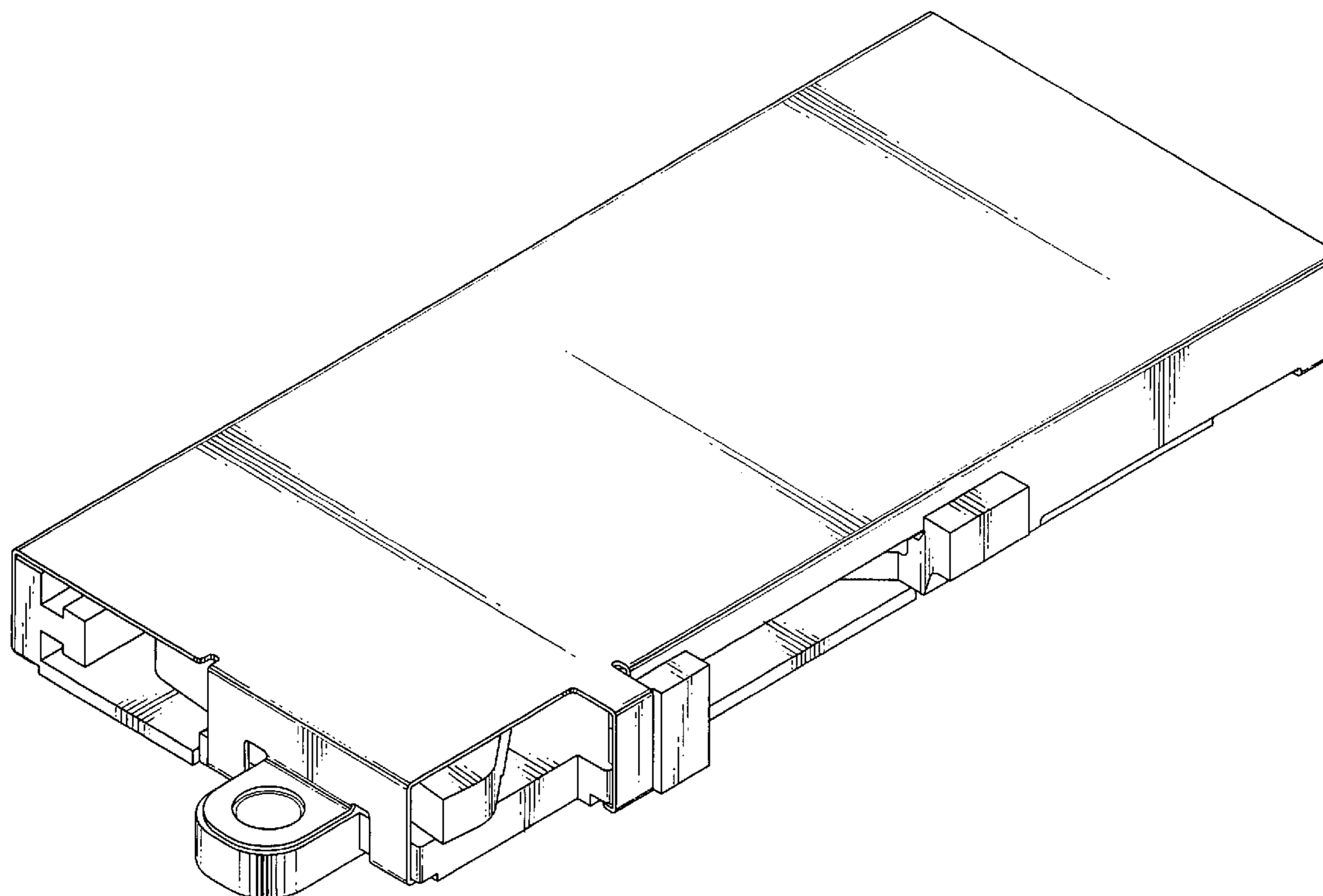
FIG. 6 is a right side elevational view thereof;

FIG. 7 is a front, top, and right side perspective view thereof; and,

FIG. 8 is a rear, bottom, and right side perspective view thereof.

The areas shown in broken lines show environmental structure only and form no part of the invention.

1 Claim, 6 Drawing Sheets



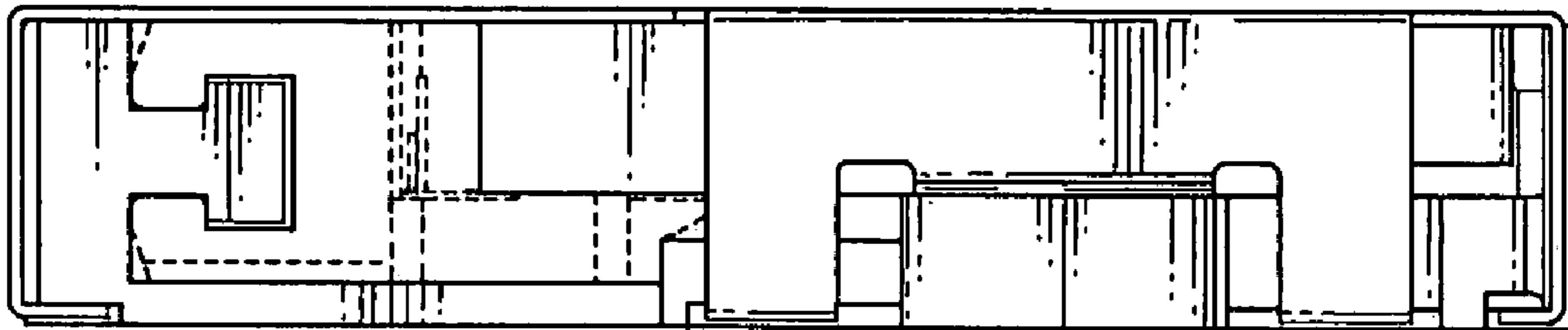


FIG. 1

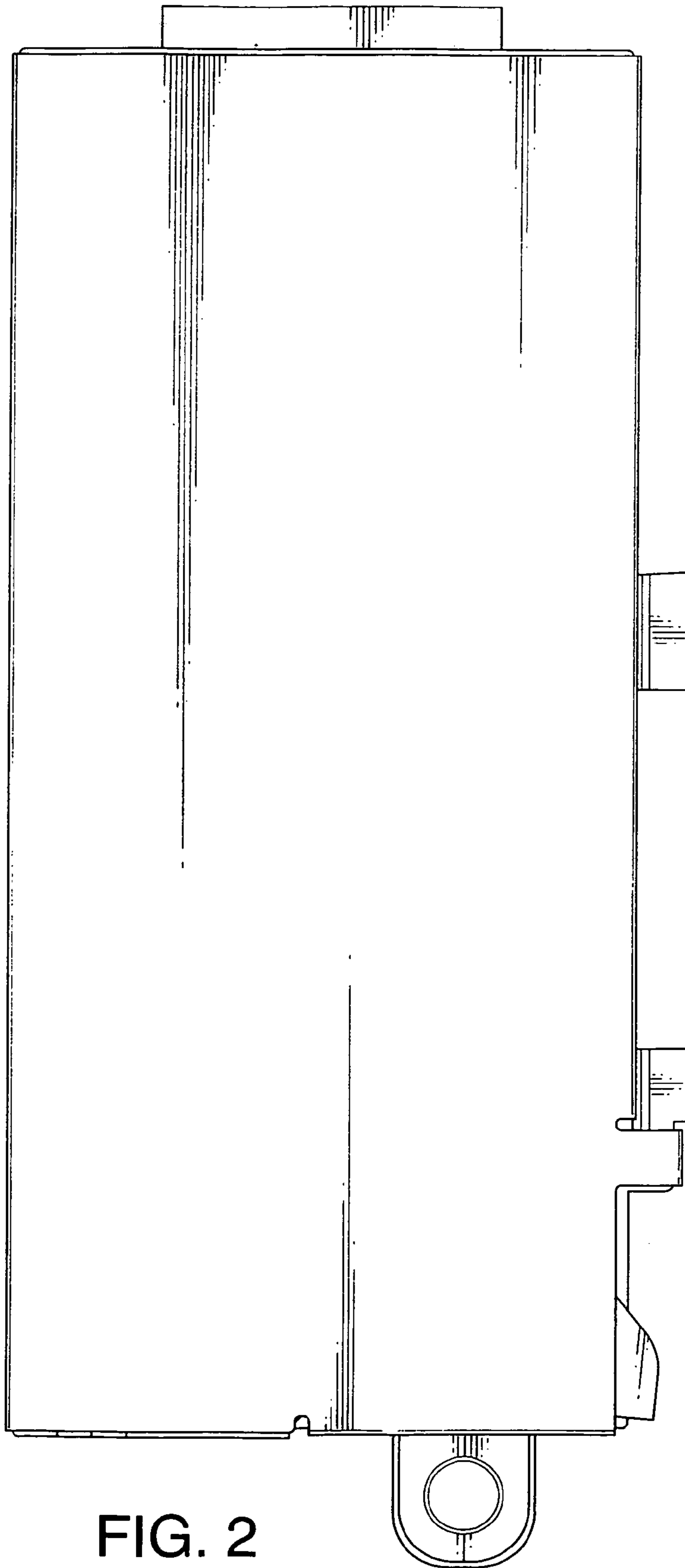


FIG. 2

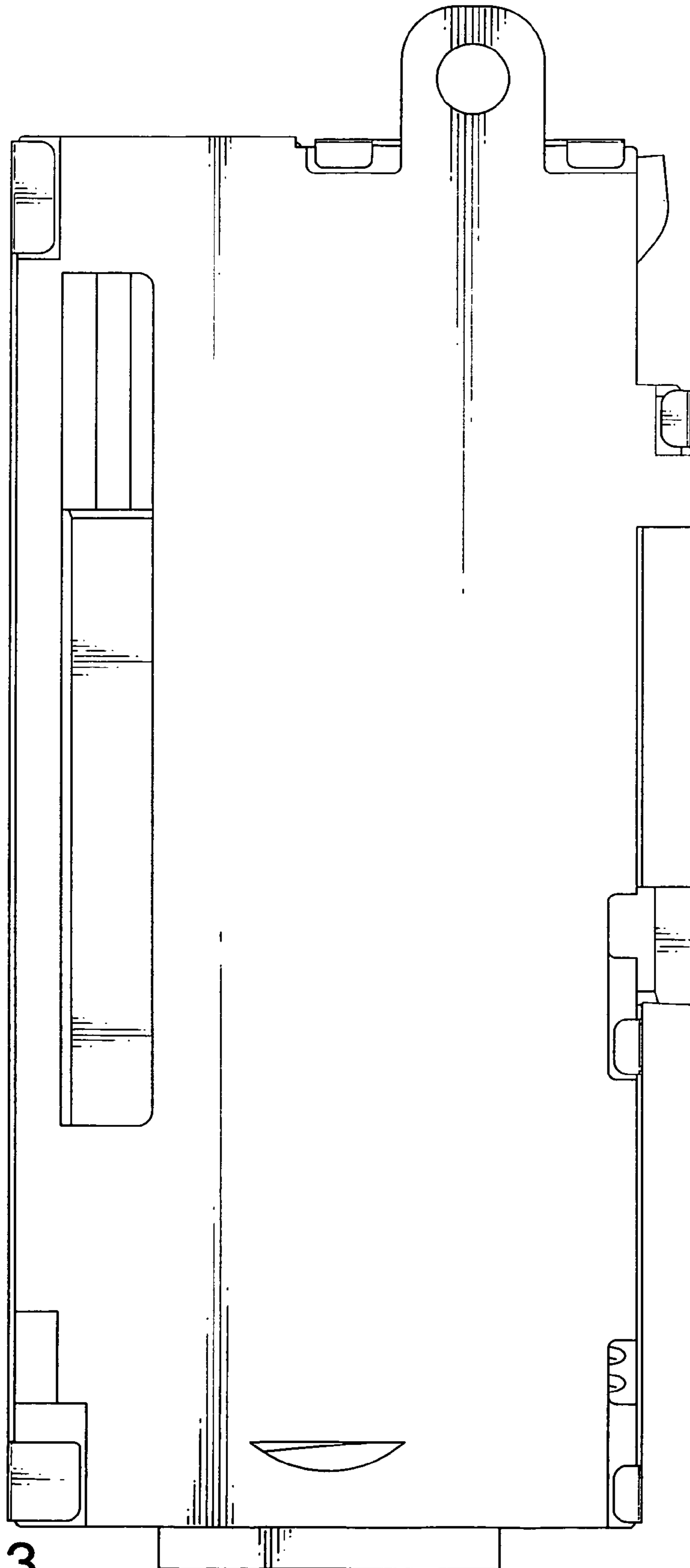


FIG. 3

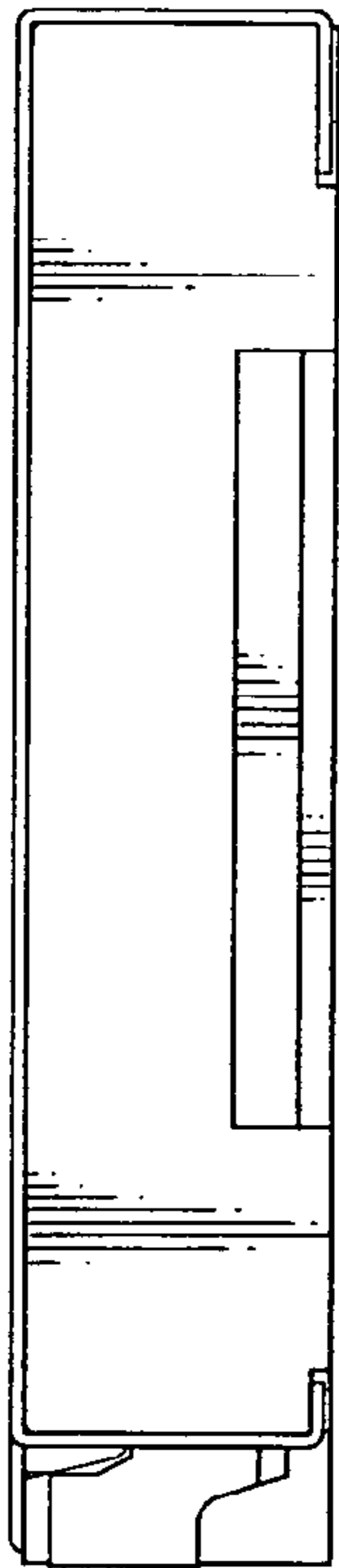


FIG. 4

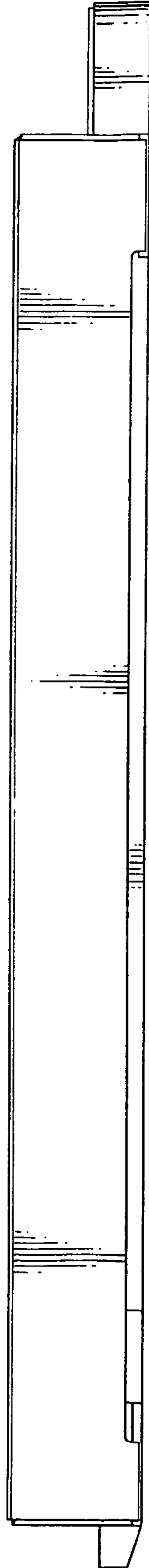


FIG. 5

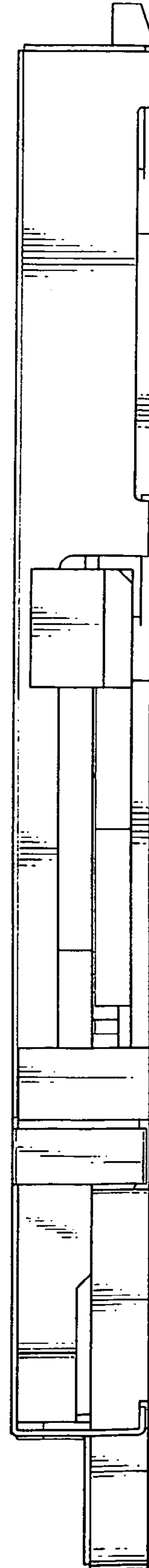


FIG. 6

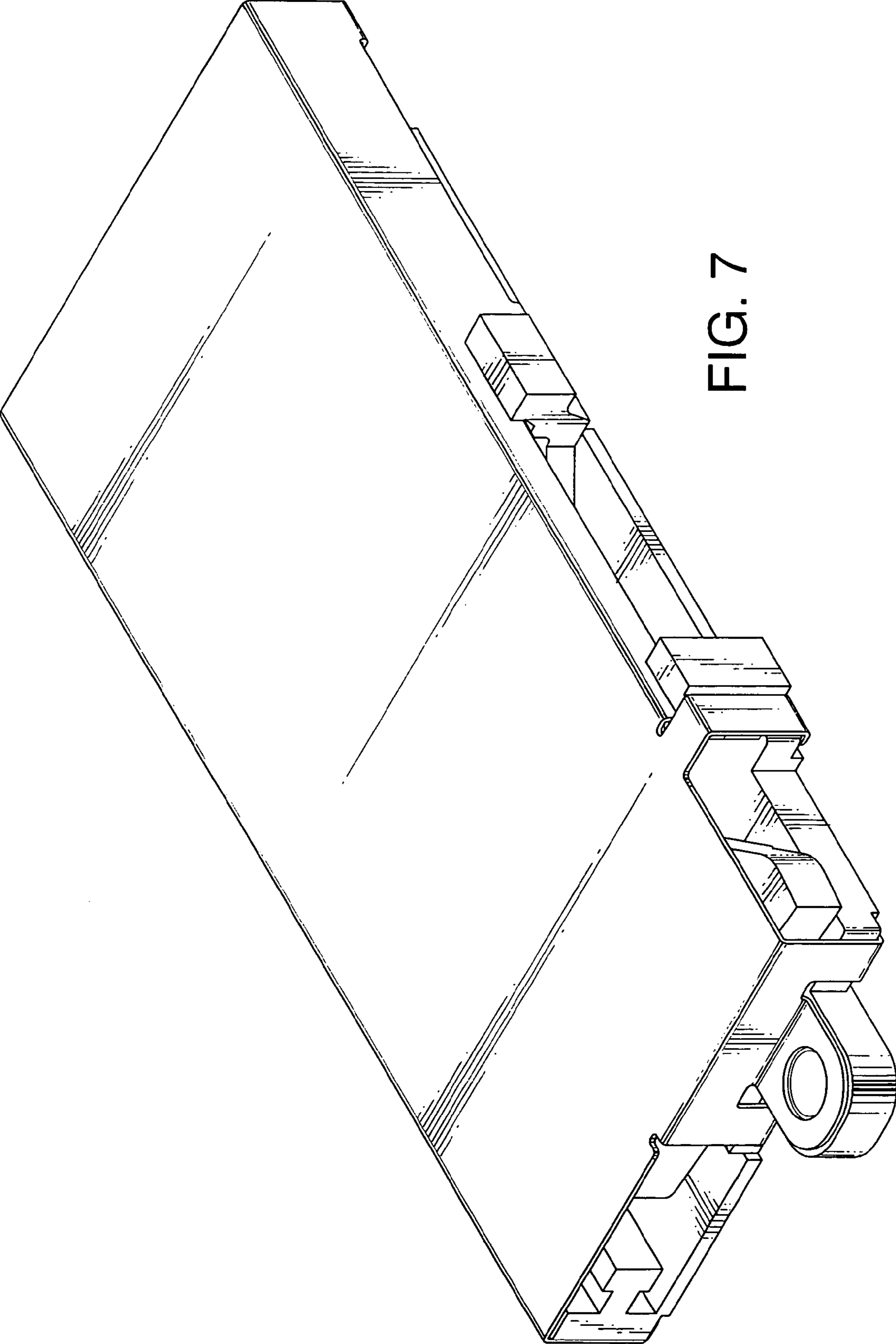


FIG. 7

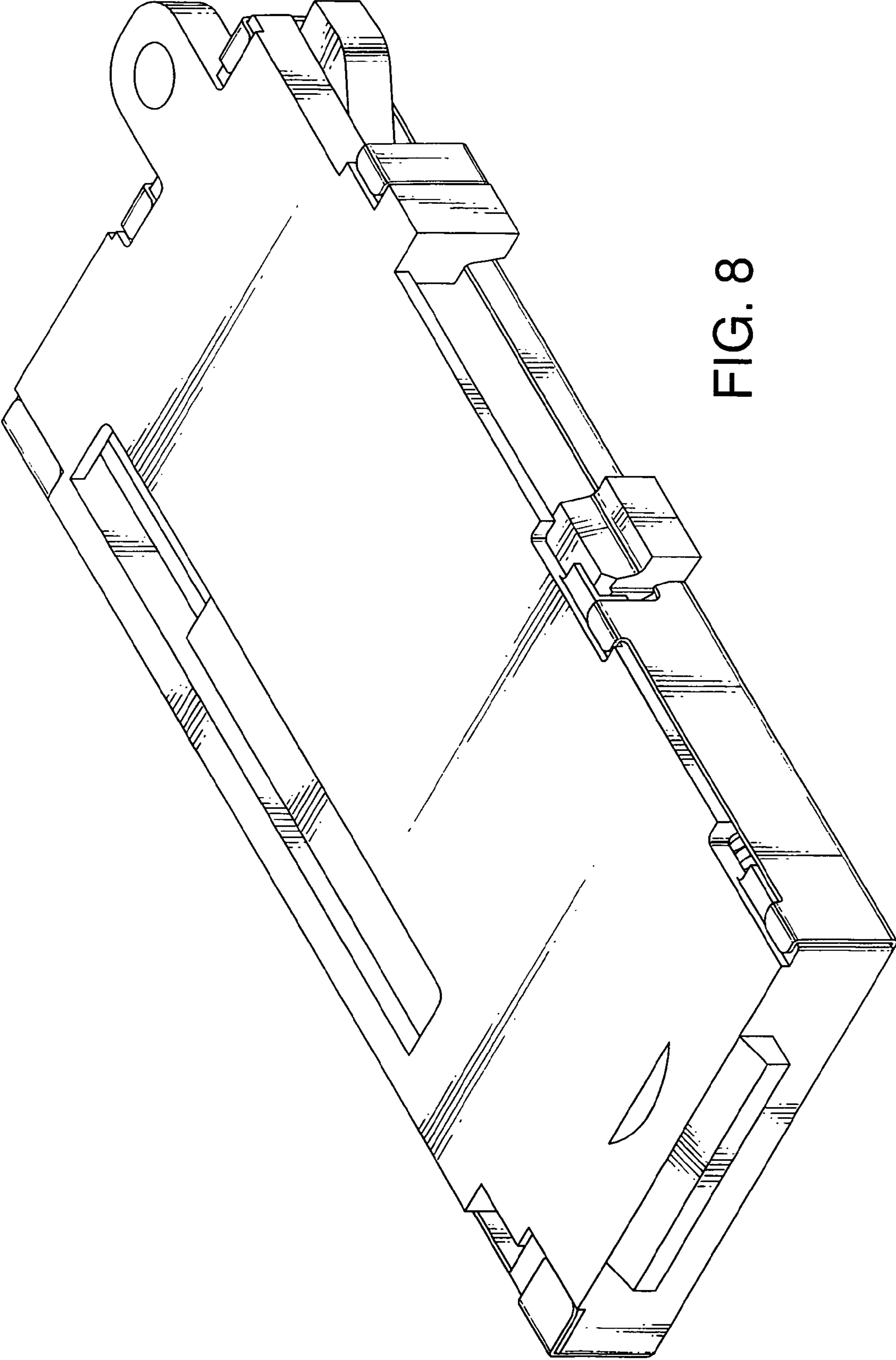


FIG. 8