



US00D555090S

(12) **United States Design Patent**
Colopy

(10) **Patent No.:** **US D555,090 S**

(45) **Date of Patent:** **** Nov. 13, 2007**

(54) **THERMAL BODY**

(75) Inventor: **Curtis M. Colopy**, New Paltz, NY
(US)

(73) Assignee: **Durable Systems, Inc.**, Gardiner, NY
(US)

(**) Term: **14 Years**

(21) Appl. No.: **29/275,853**

(22) Filed: **Jan. 8, 2007**

Related U.S. Application Data

(62) Division of application No. 29/204,435, filed on Apr. 29, 2004, now Pat. No. Des. 541,746.

(51) **LOC (8) Cl.** **13-03**

(52) **U.S. Cl.** **D13/129**

(58) **Field of Classification Search** D13/110,
D13/118, 123, 129, 131-132, 135, 145, 154,
D13/184; D8/349, 354, 364, 499; D23/314,
D23/386, 328-330; 174/5 SB; 219/72,
219/209, 260, 270, 385, 388, 391, 481
See application file for complete search history.

(56) **References Cited**

U.S. PATENT DOCUMENTS

D285,334 S 8/1986 Johnson

D293,313 S 12/1987 Justiano et al.
D343,337 S 1/1994 Johnston
D413,101 S 8/1999 Avery et al.
D442,469 S 5/2001 Roozen et al.
7,005,612 B2 2/2006 Han
2004/0191715 A1 9/2004 Nakamura et al.

OTHER PUBLICATIONS

Web page from Saint-Gobain Ceramics, Crystar Igniters, www.nortonigniters.com/data/element/note/category, dated Jan. 4, 2004. Specification Sheet from Starlite describing Dryer Igniter Kit No. 1026, P/N 11120-400-1026.

Primary Examiner—Daniel Bui

(74) *Attorney, Agent, or Firm*—Lackenbach Siegel, LLP; Andrew F. Young

(57) **CLAIM**

The ornamental design for a thermal body, as shown and described.

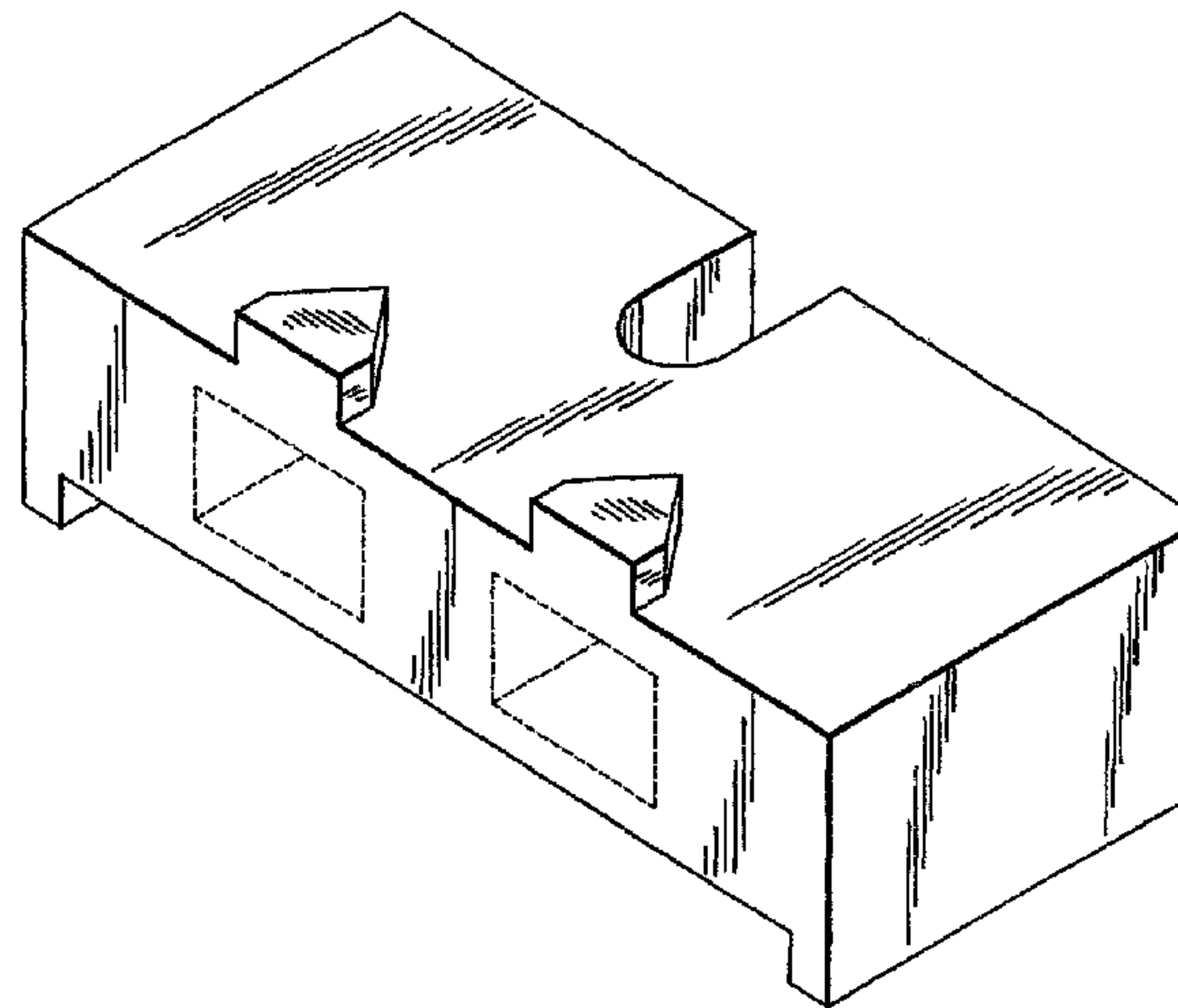
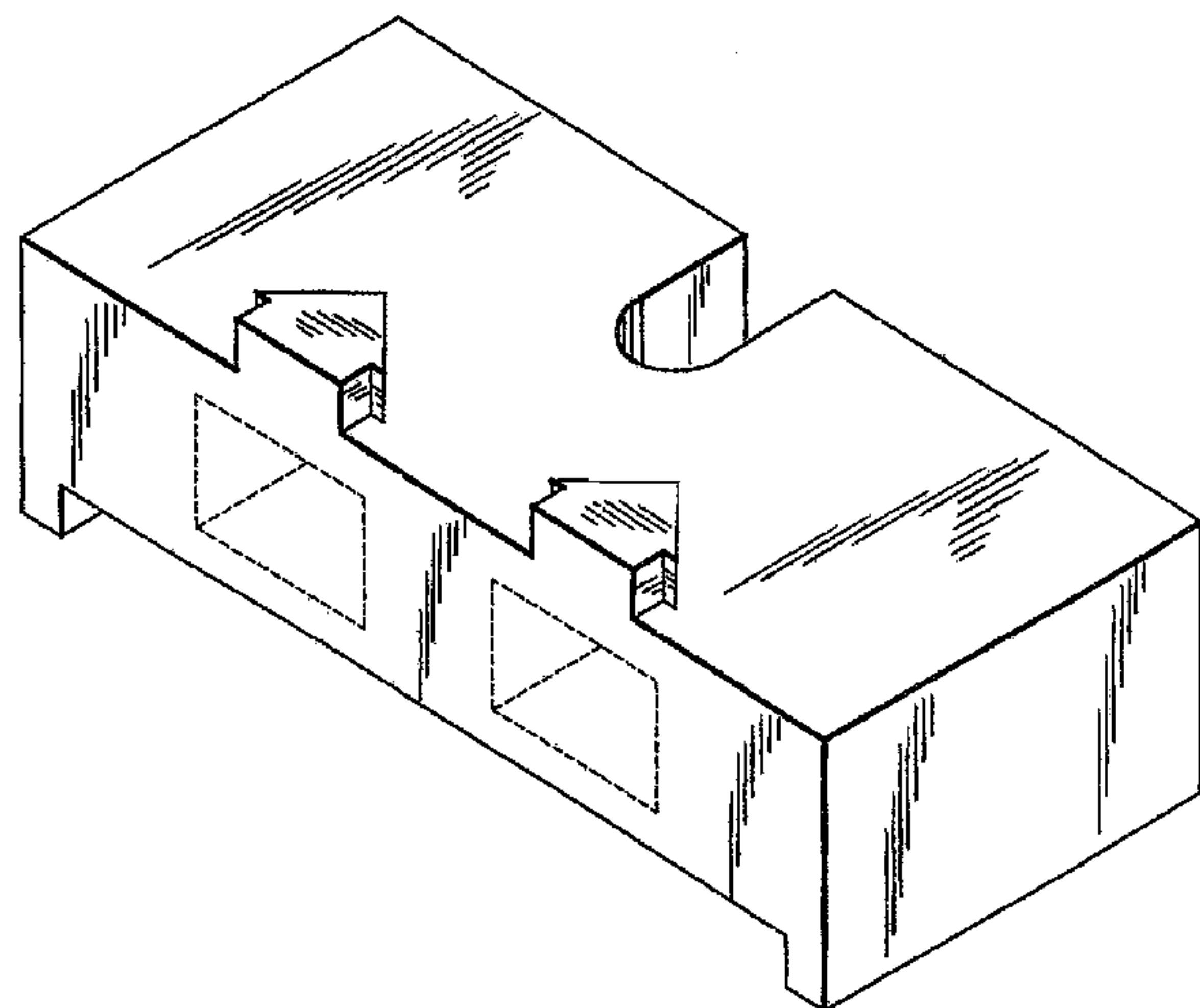
DESCRIPTION

FIG. 1 is a front perspective view of the first embodiment of a thermal body, showing my new design; and,

FIG. 2 is a front perspective view of the second embodiment of a thermal body, showing my new design.

The broken line showing of the environment is for illustrative purposes only and forms no part of the claimed design.

1 Claim, 2 Drawing Sheets



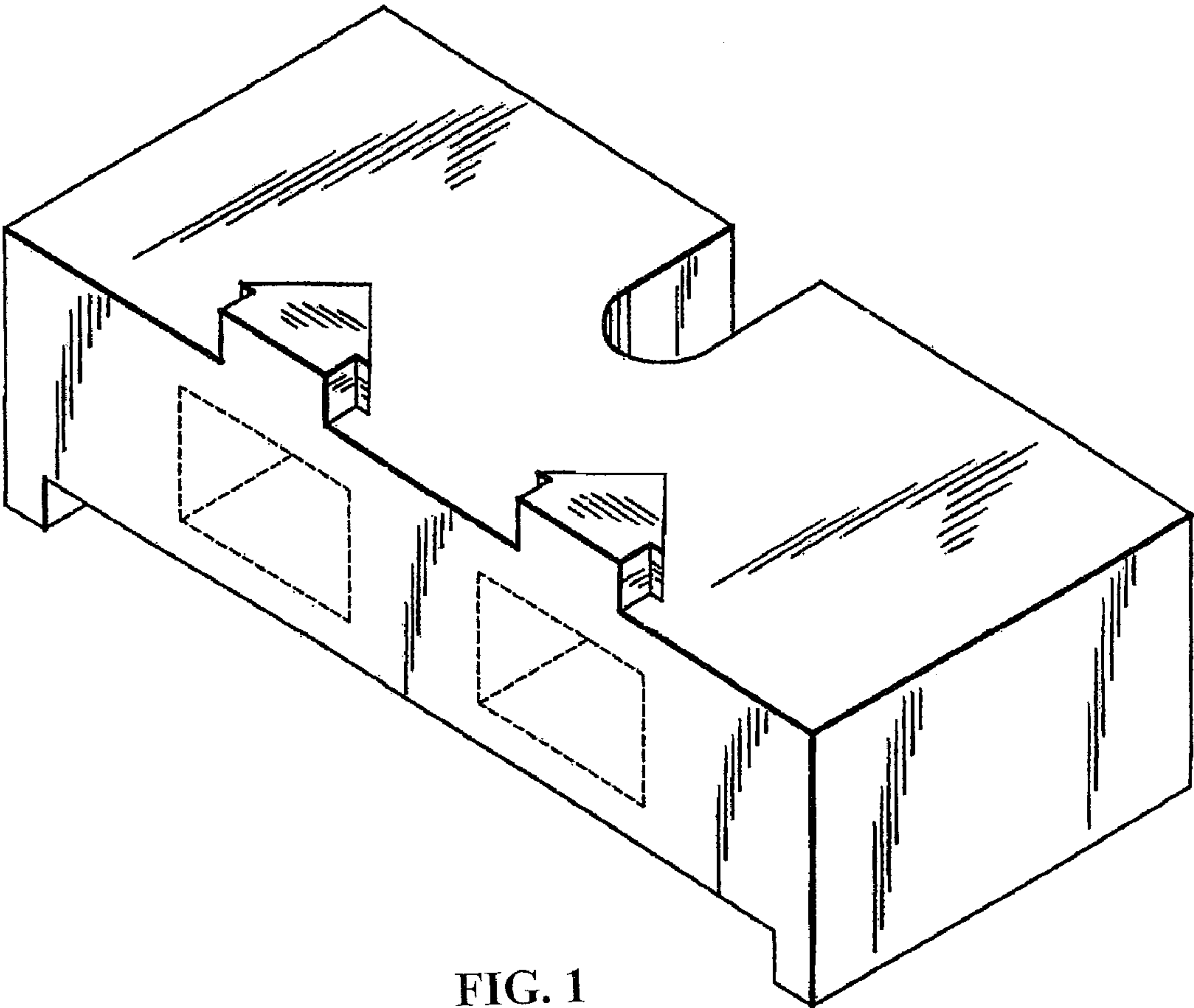


FIG. 1

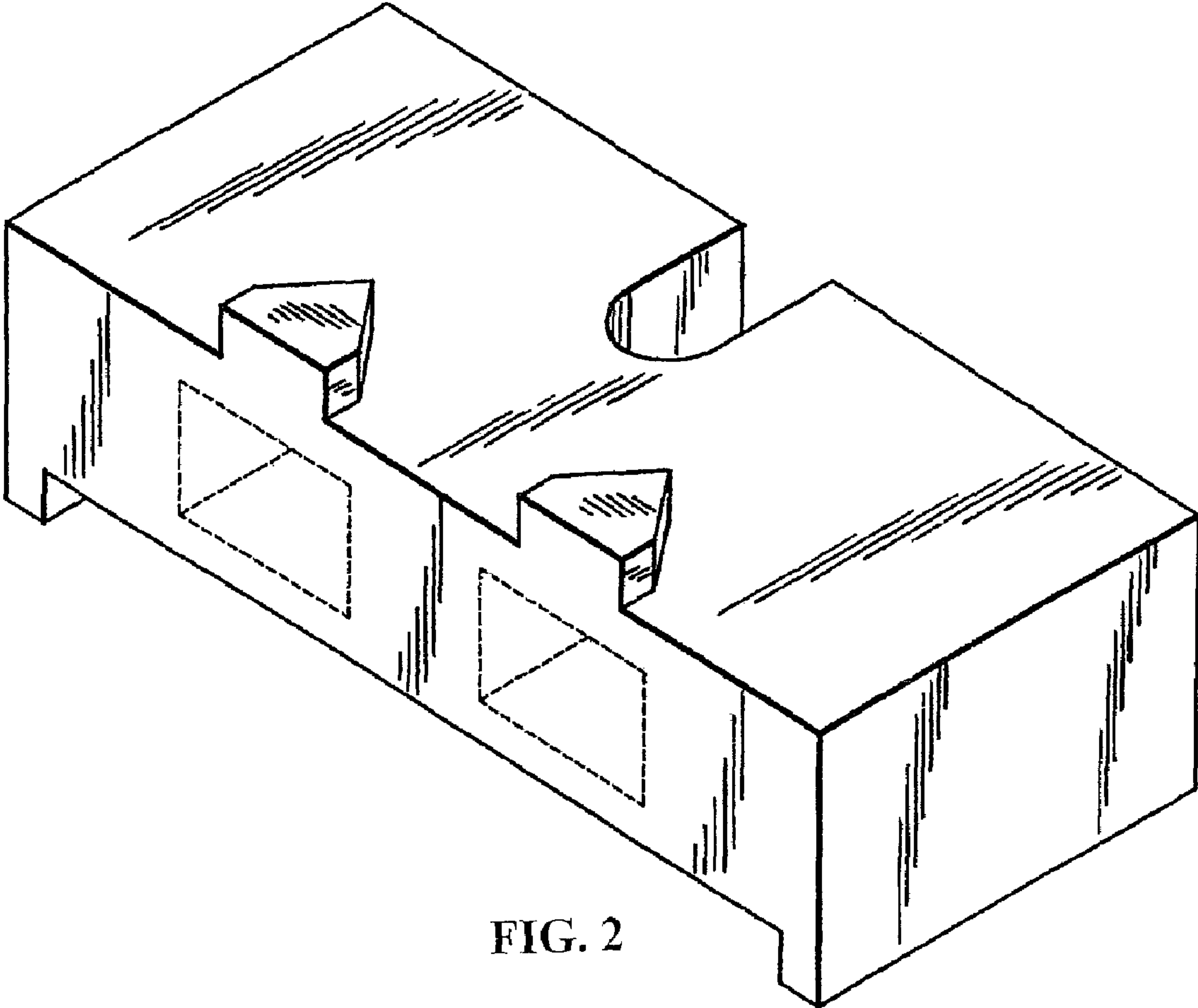


FIG. 2