



US00D555089S

(12) **United States Design Patent**
Lutz

(10) **Patent No.:** **US D555,089 S**

(45) **Date of Patent:** **** Nov. 13, 2007**

(54) **PUMP**

(75) Inventor: **Jürgen Lutz**, Wertheim (DE)

(73) Assignee: **Lutz Pumpen GmbH**, Wertheim (DE)

(**) Term: **14 Years**

(21) Appl. No.: **29/238,672**

(22) Filed: **Sep. 19, 2005**

(30) **Foreign Application Priority Data**

Mar. 29, 2005 (EP) 0003/6443

(51) **LOC (8) Cl.** **13-01**

(52) **U.S. Cl.** **D13/112; D15/7**

(58) **Field of Classification Search** D13/112,
D13/101, 116, 122, 199; D15/7, 8, 9-9.3;
D23/231; 415/80, 104-107; 417/1, 15-17,
417/238, 321, 352, 358, 360, 410.1
See application file for complete search history.

(56) **References Cited**

U.S. PATENT DOCUMENTS

2,660,953 A * 12/1953 Tinker et al. 417/82

2,763,214 A * 9/1956 White 417/357
D284,380 S * 6/1986 Berg et al. D15/7
5,232,350 A * 8/1993 Richardson 417/360
D339,144 S * 9/1993 Cline, Sr. D15/7
D363,073 S * 10/1995 Makino D15/7
D405,756 S * 2/1999 Castelli, Jr. D13/112
D419,567 S * 1/2000 Weiss D15/7

* cited by examiner

Primary Examiner—Prabhakar Deshmukh

Assistant Examiner—Derrick Holland

(74) *Attorney, Agent, or Firm*—Collard & Roe, P.C.

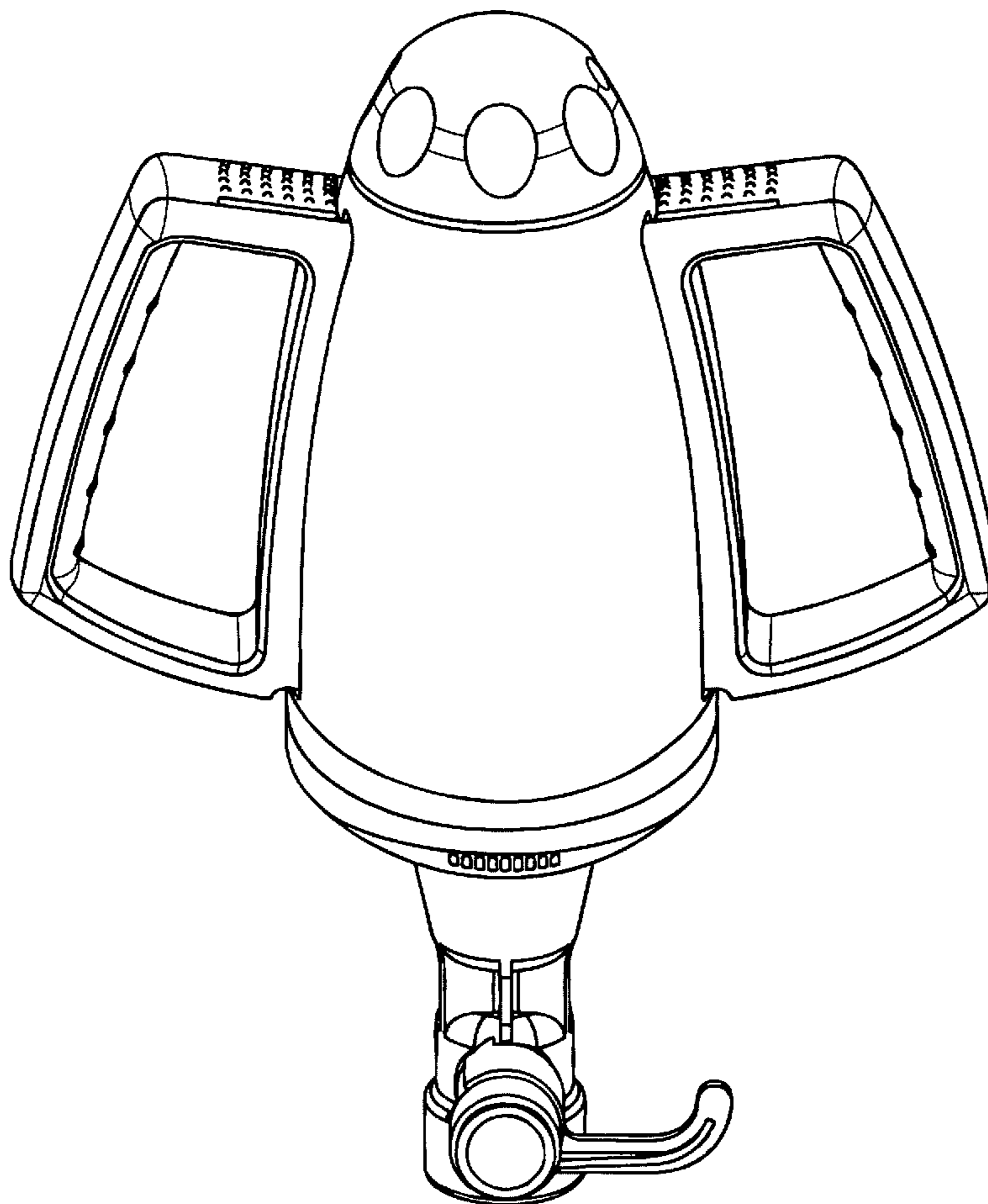
(57) **CLAIM**

The ornamental design for a pump, as shown and described.

DESCRIPTION

FIG. 1 shows a perspective view of my design for a pump;
FIG. 2 shows a front view thereof;
FIG. 3 shows a rear view thereof; and,
FIG. 4 shows a side view thereof.

1 Claim, 4 Drawing Sheets



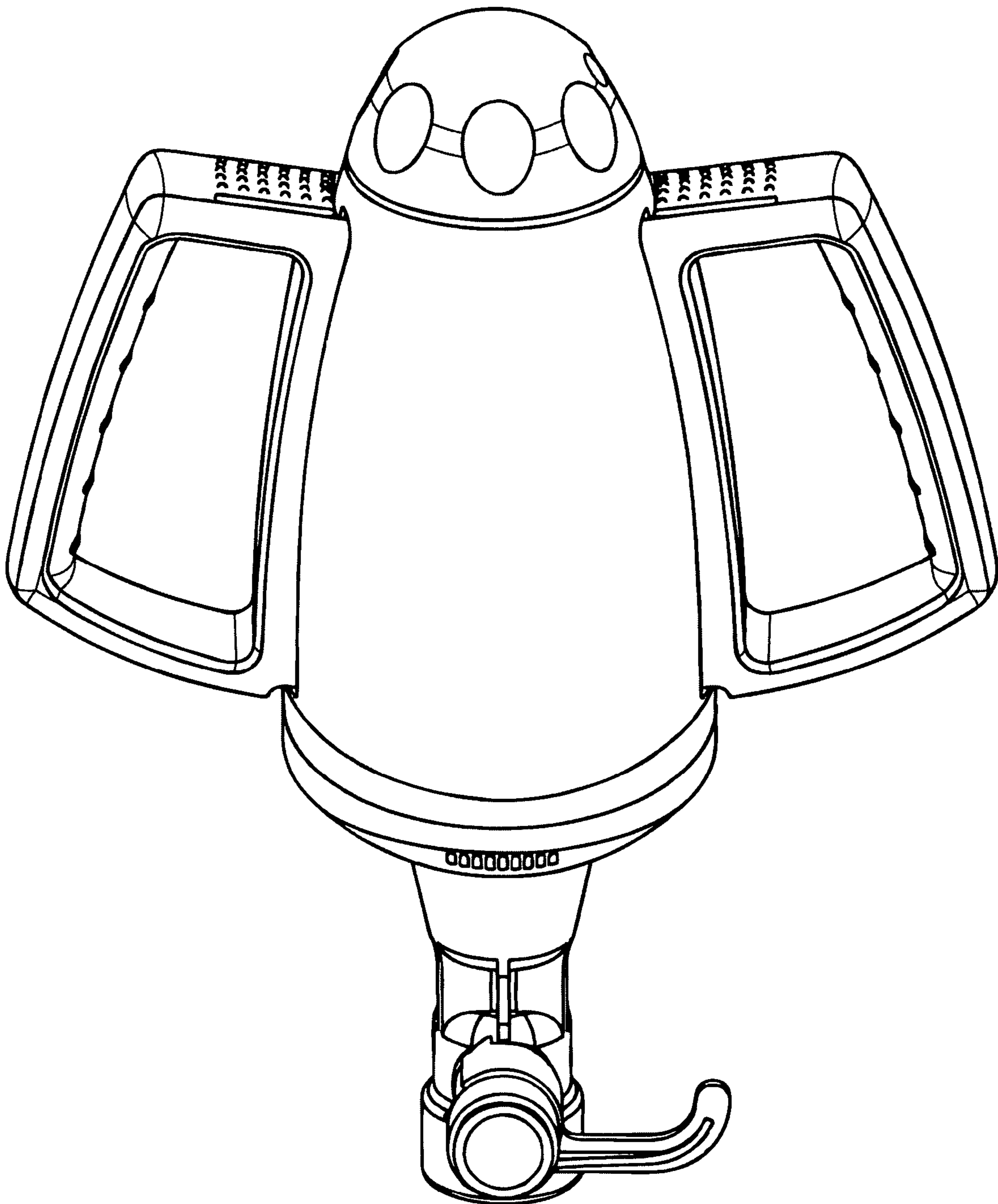


FIG. 1

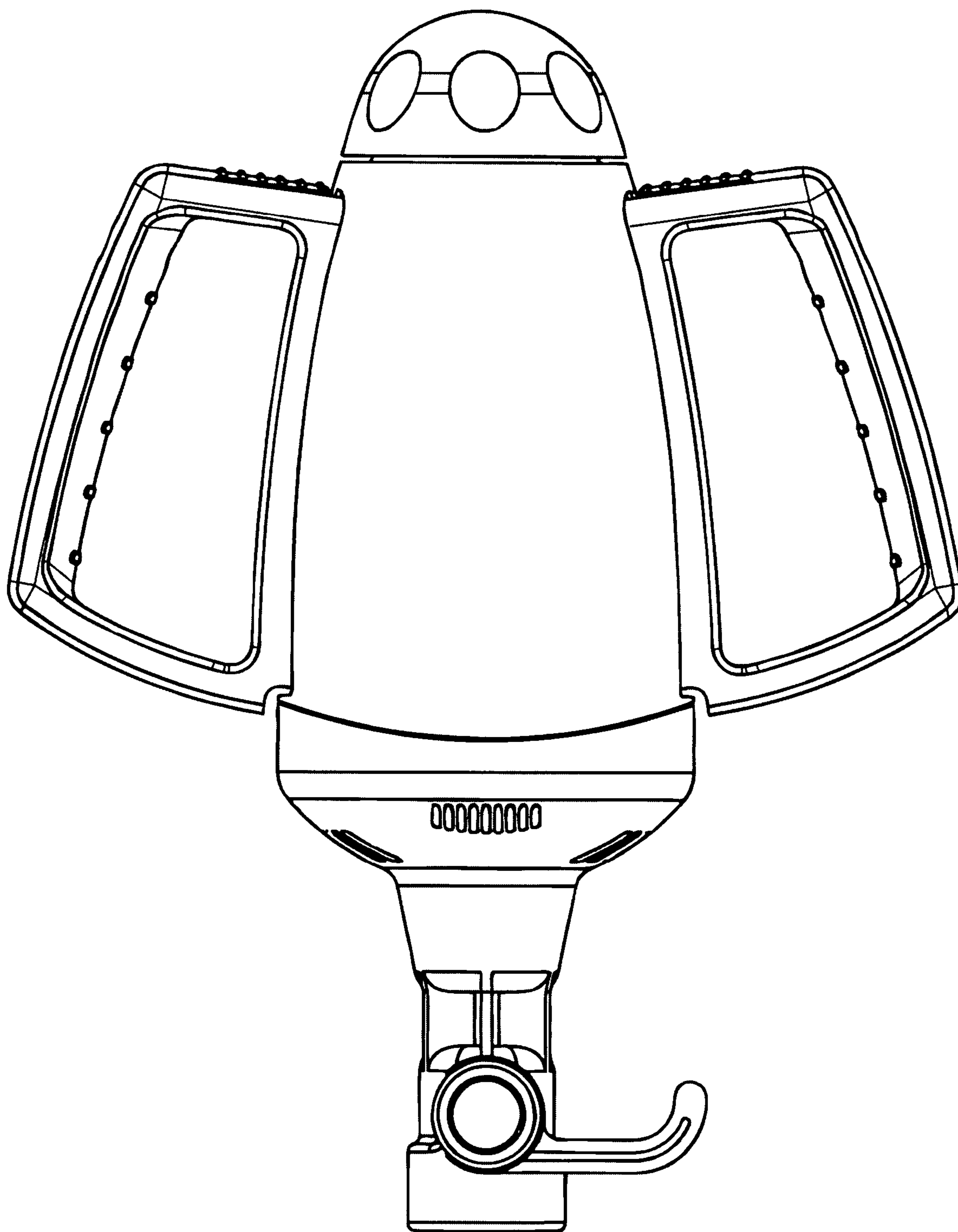


FIG. 2

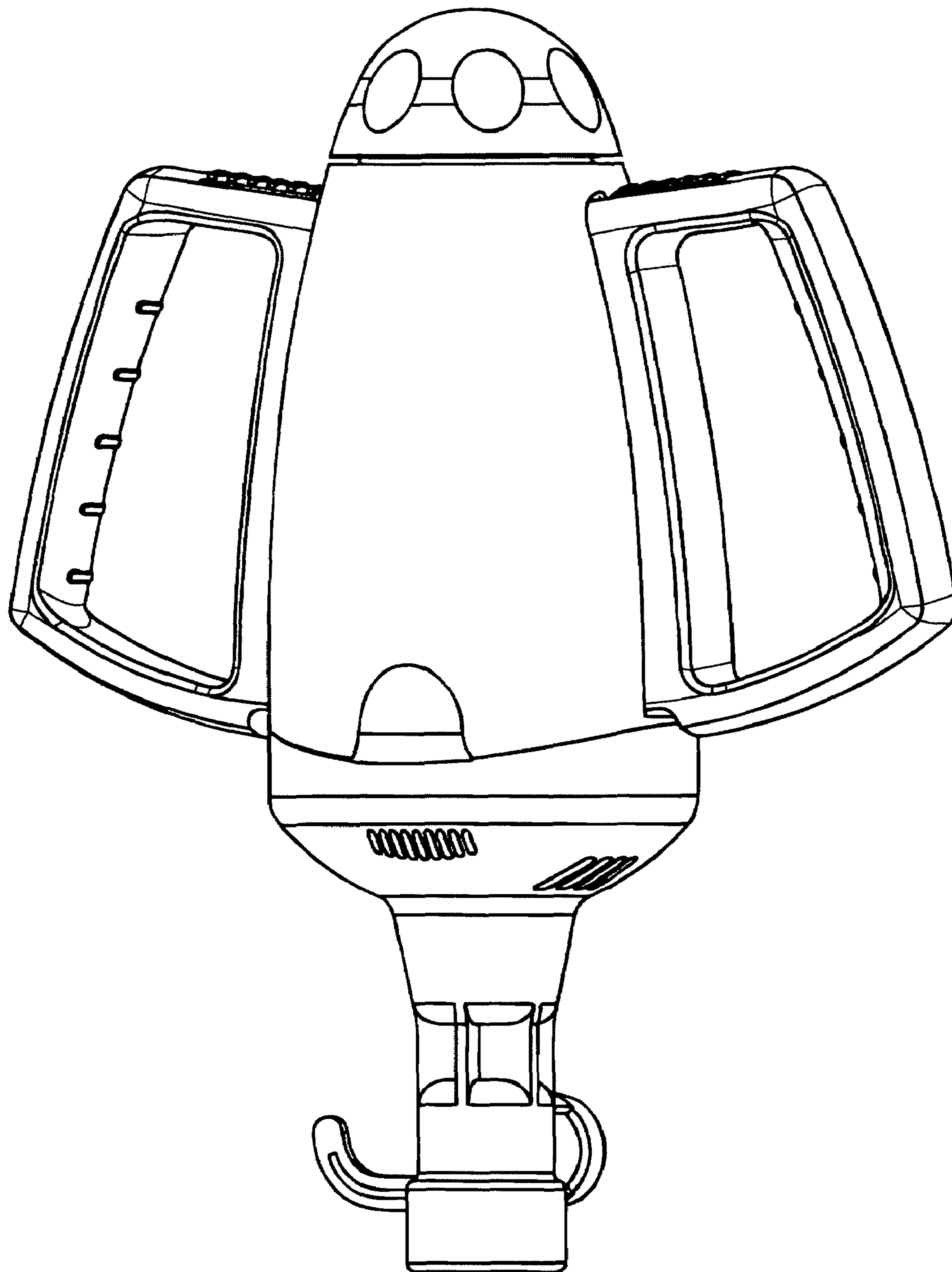


FIG. 3

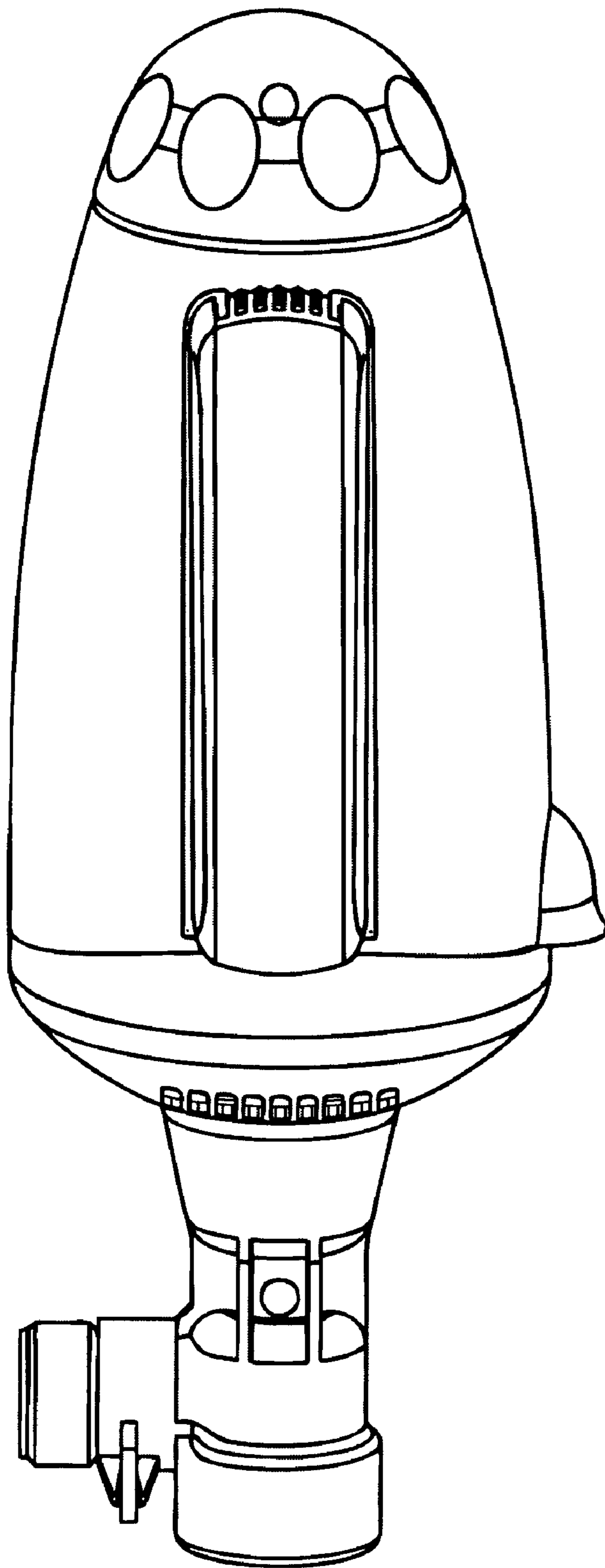


FIG. 4

UNITED STATES PATENT AND TRADEMARK OFFICE
CERTIFICATE OF CORRECTION

PATENT NO. : Des. 555,089 S
APPLICATION NO. : 29/238672
DATED : November 13, 2007
INVENTOR(S) : Juergen Lutz

Page 1 of 1

It is certified that error appears in the above-identified patent and that said Letters Patent is hereby corrected as shown below:

On the Title Page, Item (30), please change the number of the priority document to correctly read as follows:

(30) Foreign Application Priority Data

Mar. 29, 2005 (EP) 000316443

Signed and Sealed this

Eighth Day of April, 2008



JON W. DUDAS

Director of the United States Patent and Trademark Office