



US00D555087S

(12) **United States Design Patent** (10) **Patent No.:** **US D555,087 S**
Brefka et al. (45) **Date of Patent:** **** Nov. 13, 2007**

(54) **CHARGER/HOLDER**

(75) Inventors: **Paul E. Brefka**, Southborough, MA (US); **John D'Arco**, Wilmington, MA (US); **Charles Fendrock**, Sudbury, MA (US); **Michael Williams**, Melrose, MA (US)

(73) Assignee: **NeuroMetrix, Inc.**, Waltham, MA (US)

(**) Term: **14 Years**

(21) Appl. No.: **29/261,048**

(22) Filed: **Jun. 6, 2006**

(51) **LOC (8) Cl.** **13-02**

(52) **U.S. Cl.** **D13/107**

(58) **Field of Classification Search** D13/107-110,
D13/118-119, 184; D14/251, 253, 432,
D14/434; 320/107-115

See application file for complete search history.

(56) **References Cited**

U.S. PATENT DOCUMENTS

D361,979 S *	9/1995	Shirakawa et al.	D13/108
D417,430 S *	12/1999	Ko	D13/107
D440,936 S *	4/2001	Burns	D13/108
D460,446 S *	7/2002	Hughes et al.	D14/253
D460,971 S *	7/2002	Sica et al.	D14/434
D466,700 S *	12/2002	Richmond et al.	D4/199
D471,578 S *	3/2003	Okuley	D16/242
D501,205 S *	1/2005	Quinn	D14/253
D516,022 S *	2/2006	Winkler	D13/108

D516,025 S *	2/2006	Quinn	D13/108
D532,746 S *	11/2006	Meyers et al.	D13/108
D533,499 S *	12/2006	Suzuki	D13/108
D535,614 S *	1/2007	Majanen et al.	D13/108

* cited by examiner

Primary Examiner—Alan P. Douglas

Assistant Examiner—Rosemary K. Tarcza

(74) *Attorney, Agent, or Firm*—Pandiscio & Pandiscio

(57) **CLAIM**

The ornamental design for a charger/holder, as shown and described.

DESCRIPTION

A portion of the disclosure of this patent document contains material to which a claim for copyright is made. The copyright owner has no objection to the facsimile reproduction by anyone of the patent document or the patent disclosure, as it appears in the Patent and Trademark Office patent file or records, but reserves all other copyrights whatsoever.

FIG. 1 is a perspective view of a charger/holder;

FIG. 2 is a front elevational view thereof;

FIG. 3 is a rear elevational view thereof;

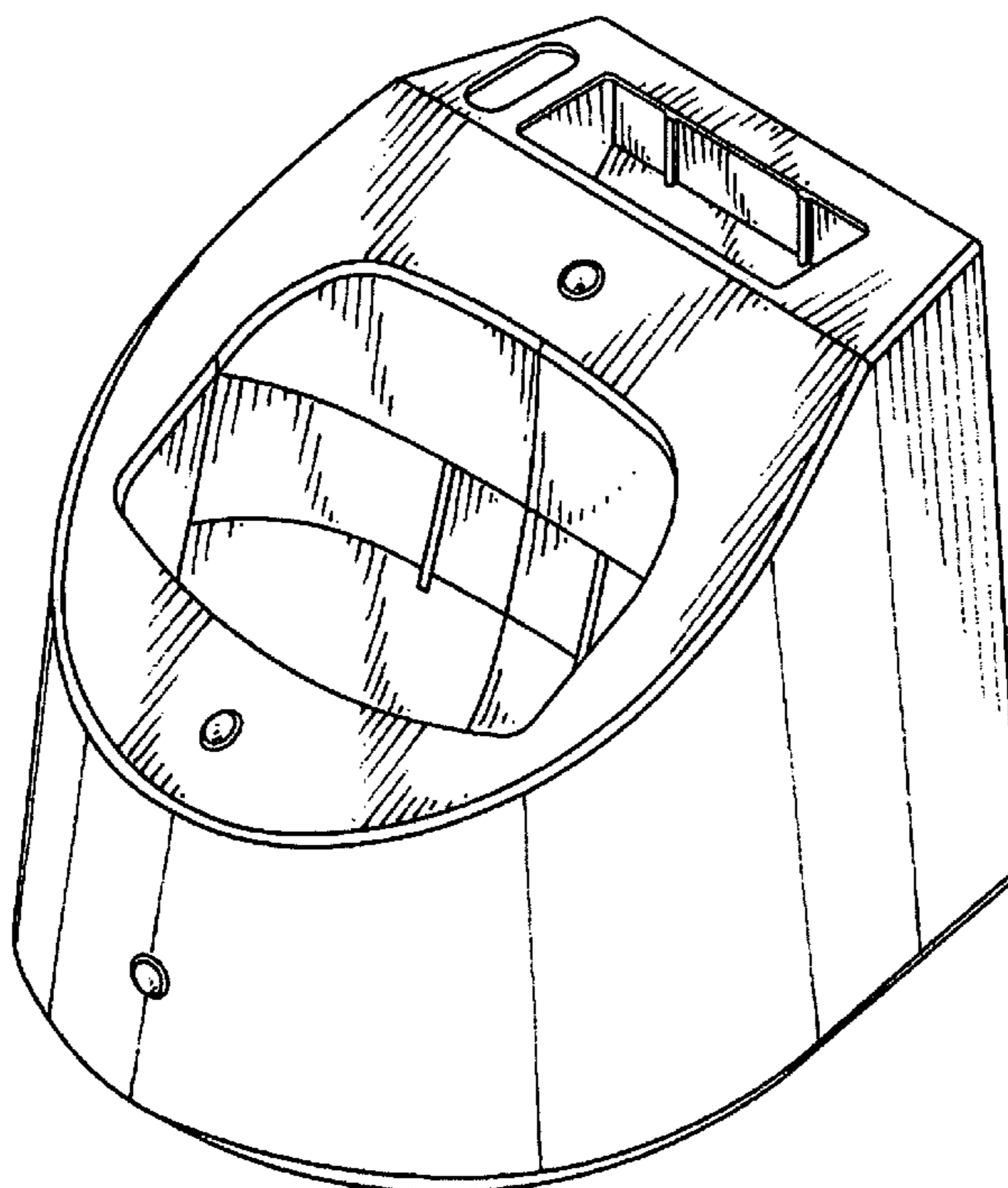
FIG. 4 is a right side elevational view thereof;

FIG. 5 is a left side elevational view thereof;

FIG. 6 is a top plan view thereof; and,

FIG. 7 is a bottom plan view thereof.

1 Claim, 4 Drawing Sheets



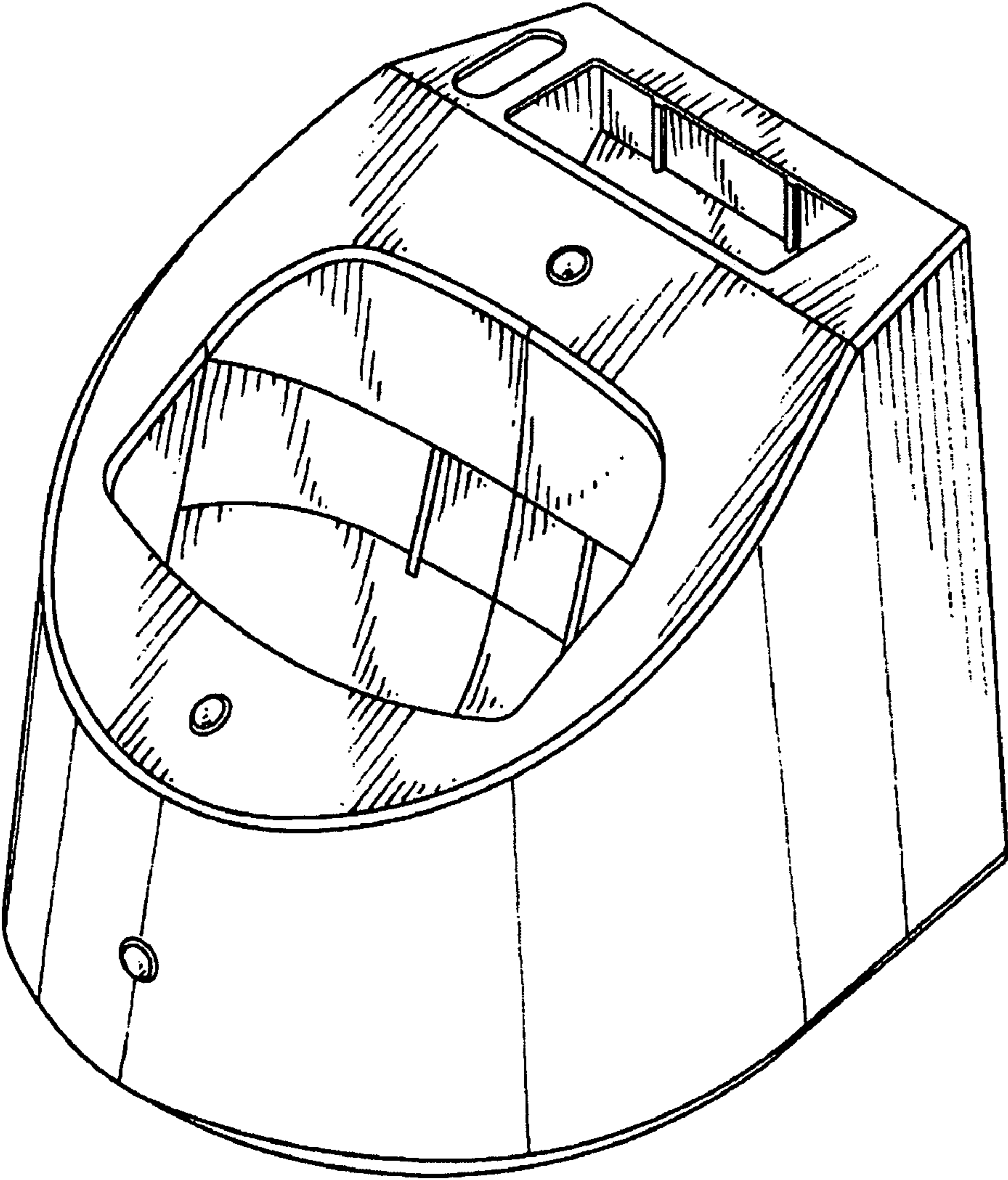


FIG. 1

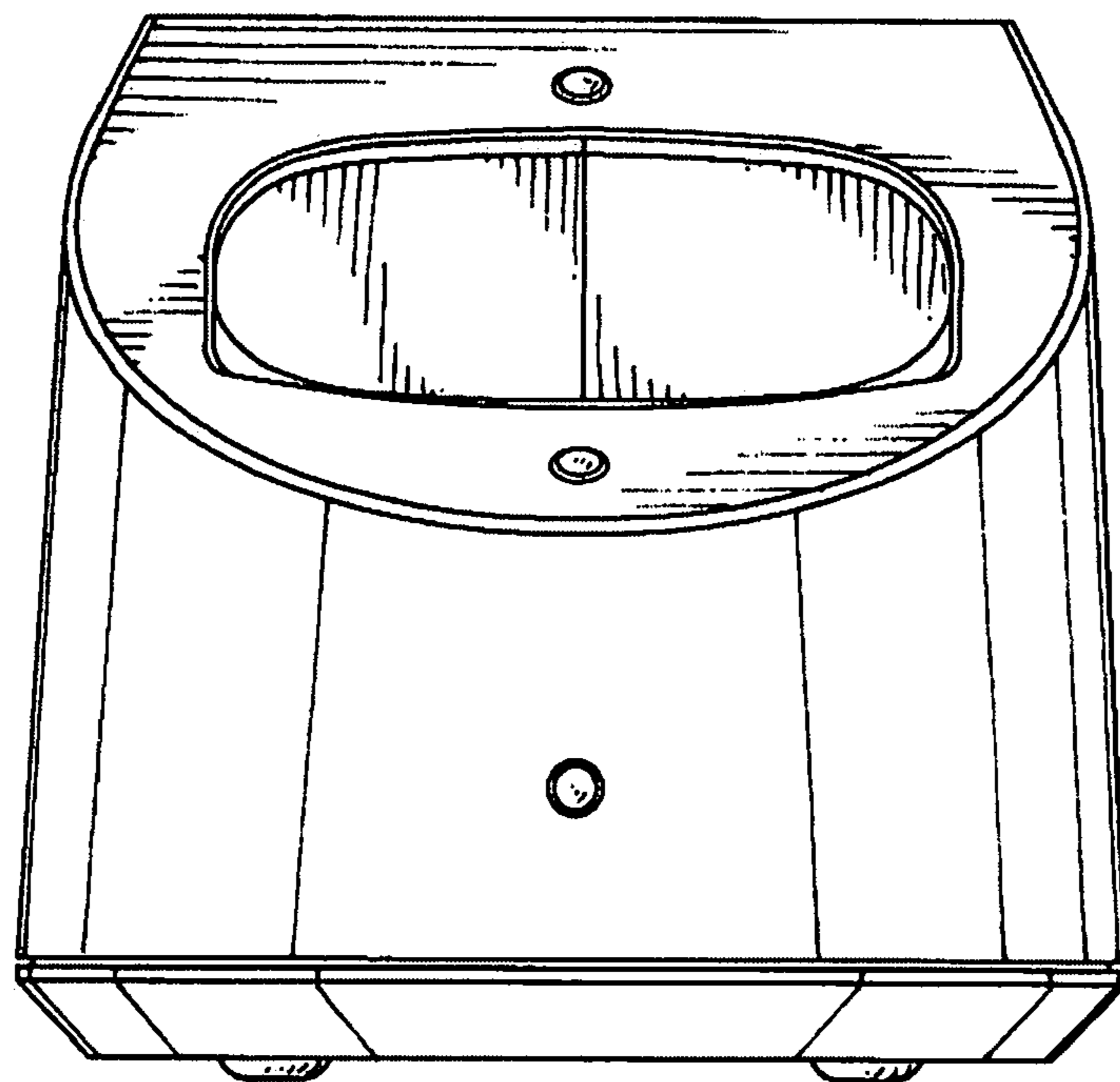


FIG. 2

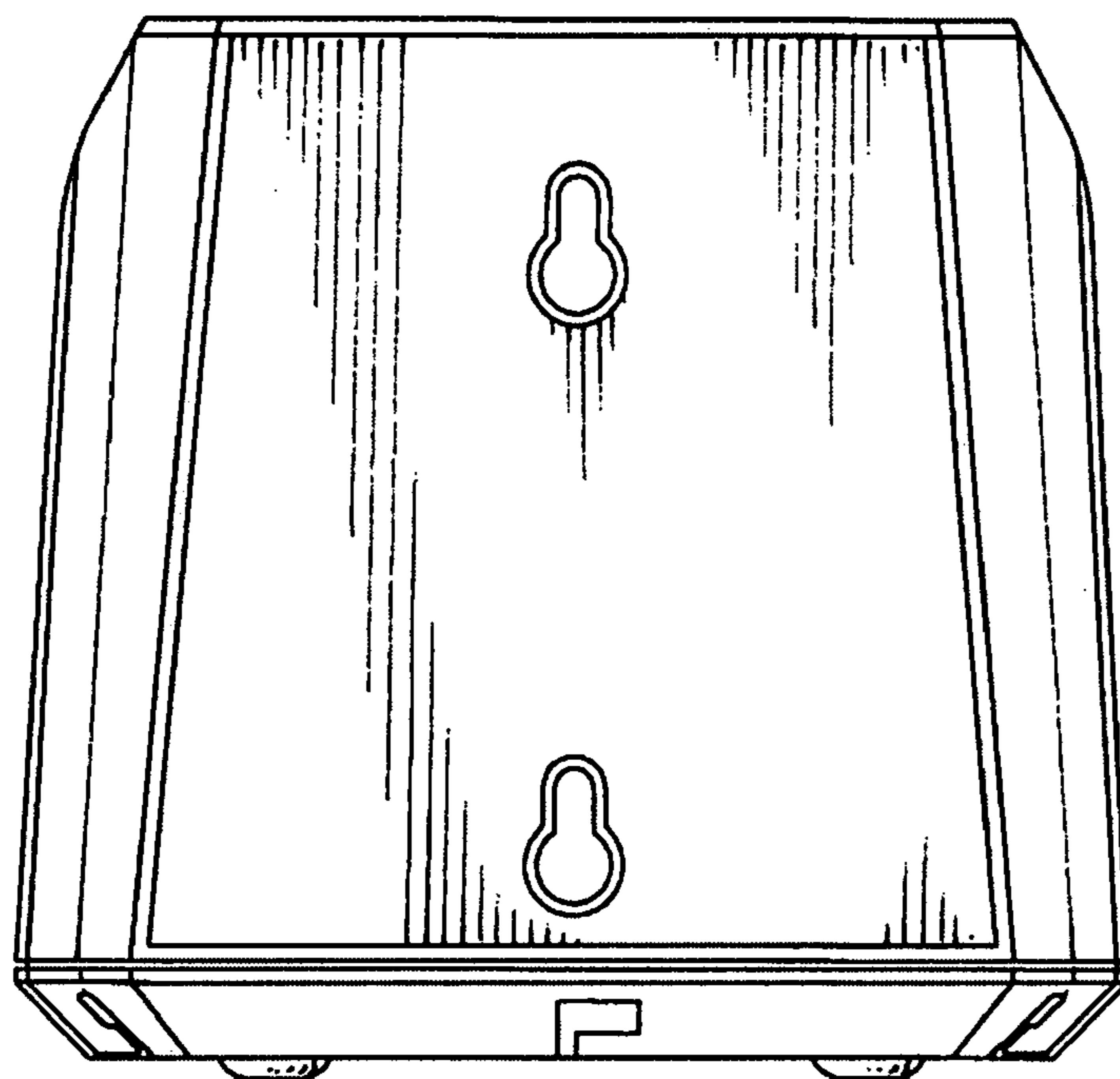


FIG. 3

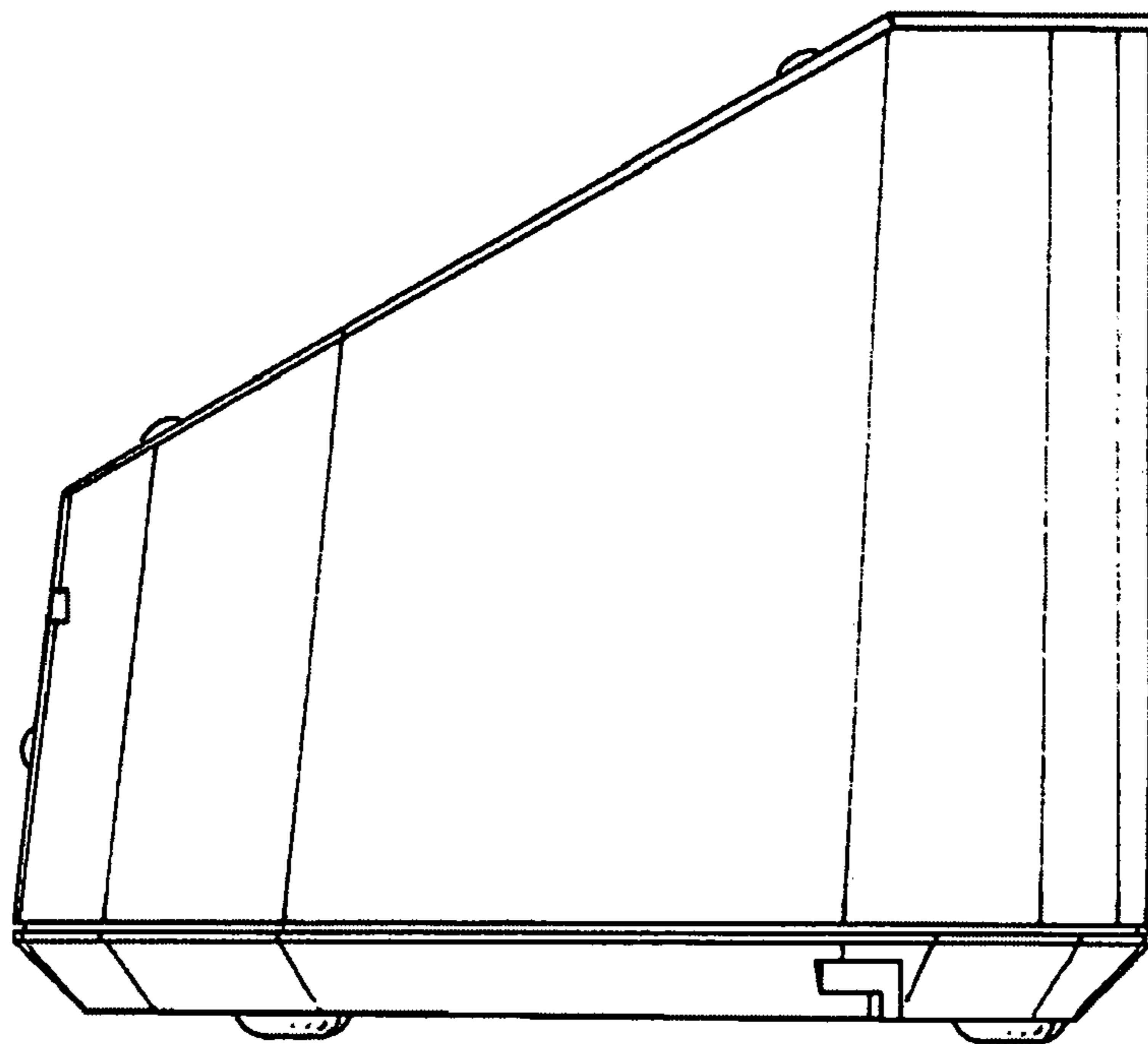


FIG. 4

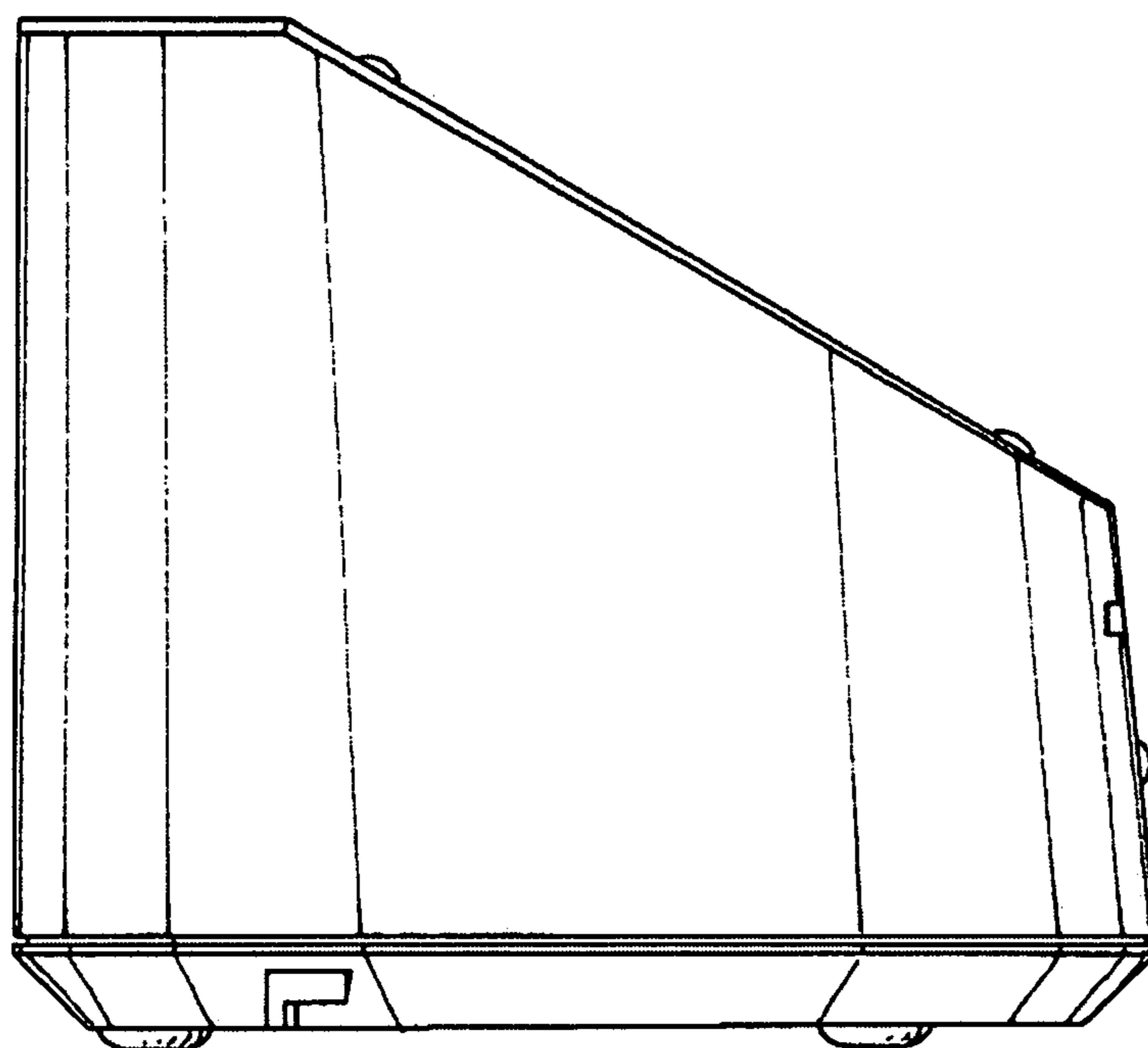


FIG. 5

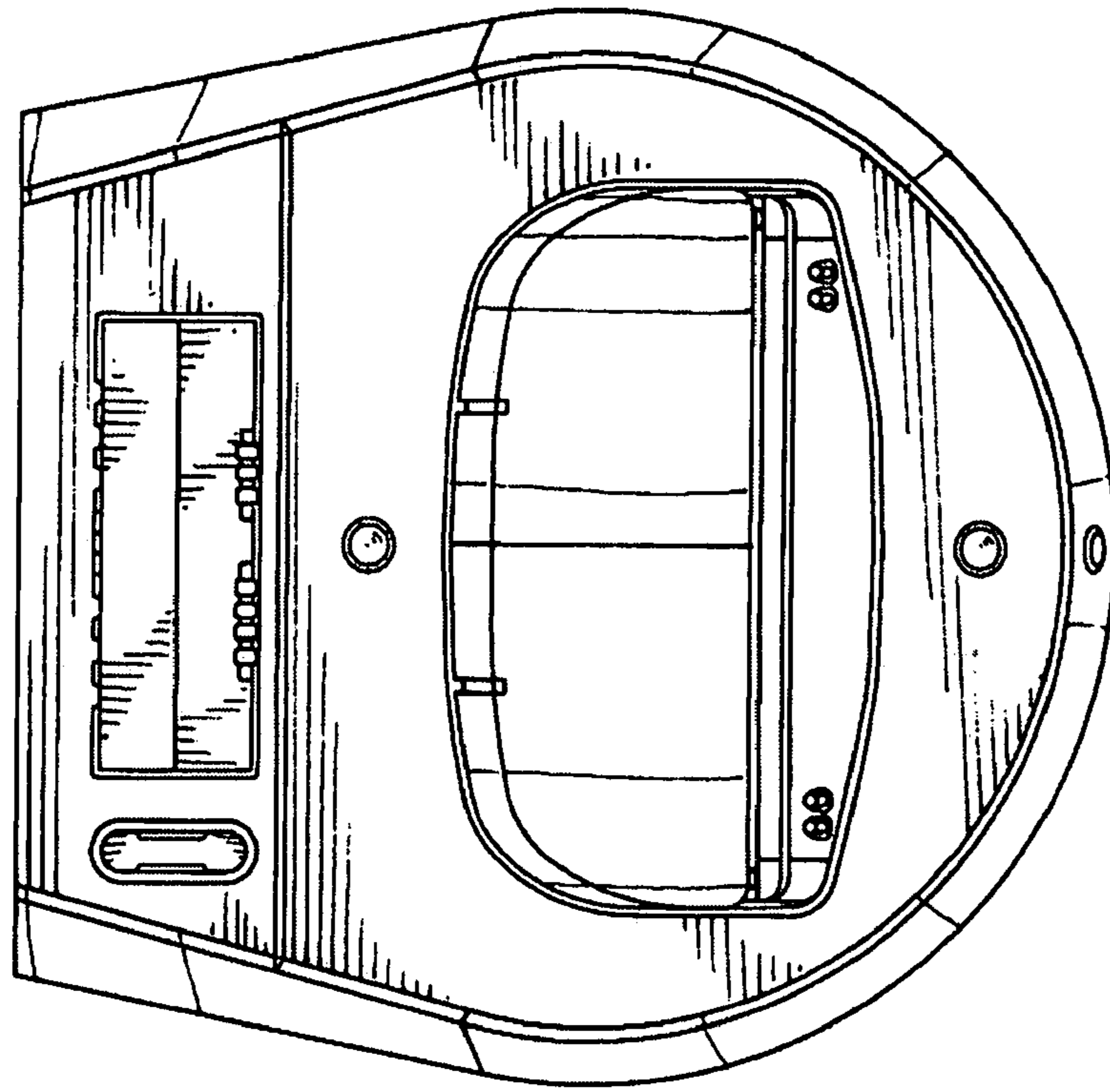


FIG. 6

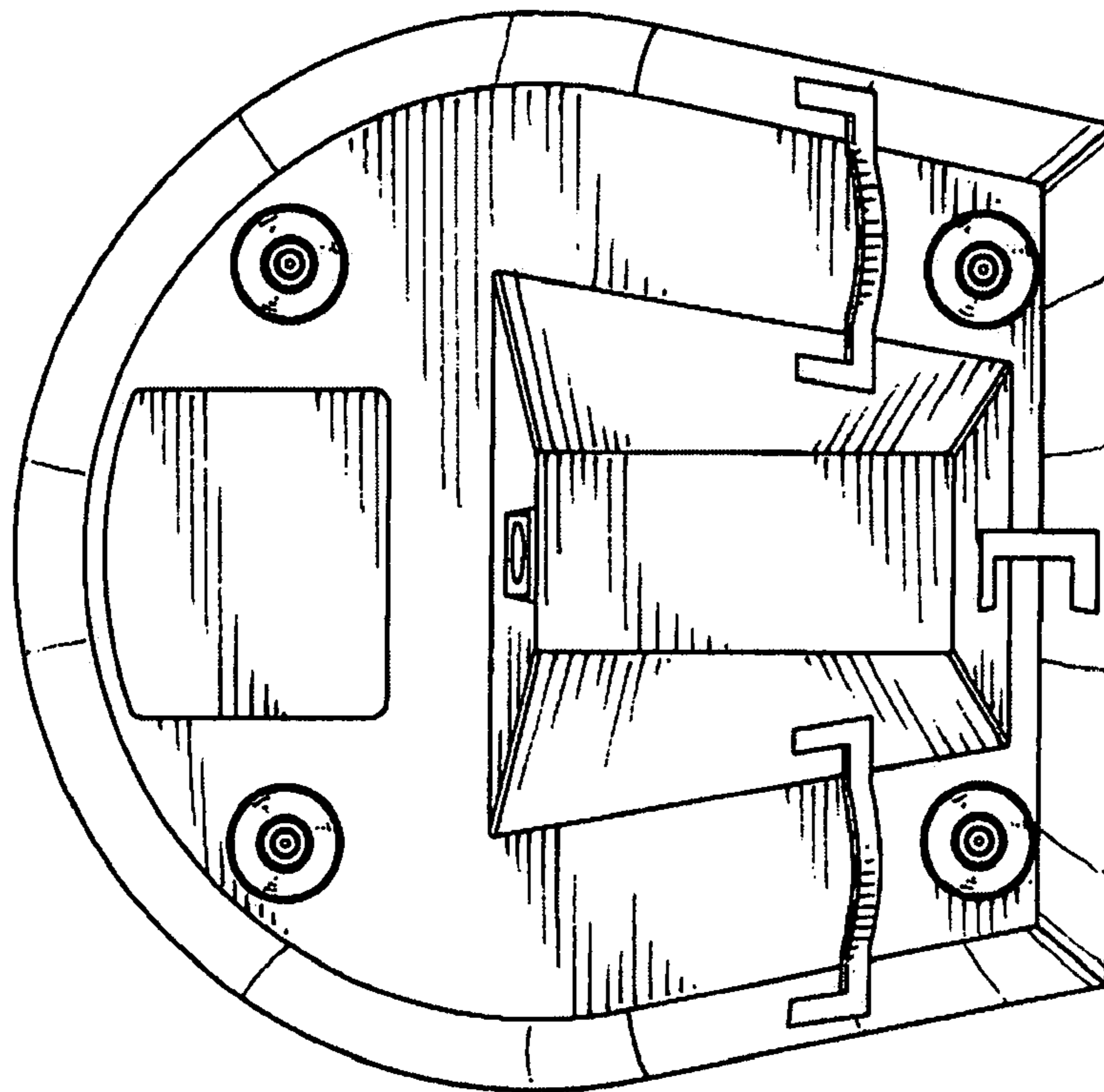


FIG. 7