



US00D555086S

(12) **United States Design Patent**
Zhang

(10) **Patent No.:** **US D555,086 S**

(45) **Date of Patent:** **** Nov. 13, 2007**

(54) **BATTERY**

(75) Inventor: **Zhi Zhang**, Nanjing (CN)

(73) Assignee: **Nanjing Chervon Industry Co., Ltd**,
Nanjing (CN)

(**) Term: **14 Years**

(21) Appl. No.: **29/270,012**

(22) Filed: **Dec. 13, 2006**

(30) **Foreign Application Priority Data**

Jun. 13, 2006 (CN) 2006 3 0087803

(51) **LOC (8) Cl.** **13-02**

(52) **U.S. Cl.** **D13/103**

(58) **Field of Classification Search** D13/102–106,
D13/110, 118–119, 184; 429/96–100, 163,
429/176

See application file for complete search history.

(56) **References Cited**

U.S. PATENT DOCUMENTS

D436,917 S *	1/2001	Hayakawa et al.	D13/103
D481,672 S *	11/2003	Niwa et al.	D13/103
D483,012 S *	12/2003	Hsu	D12/103
D494,130 S	8/2004	Johnson et al.		
D501,823 S	2/2005	Johnson et al.		
D504,394 S	4/2005	Cheung et al.		
D511,744 S *	11/2005	Hsu et al.	D13/108
D512,373 S *	12/2005	Tsai et al.	D13/108
D512,961 S *	12/2005	Okuda et al.	D13/103
D514,060 S *	1/2006	Wong et al.	D13/103
D516,504 S *	3/2006	Okuda et al.	D13/103
D523,807 S *	6/2006	Murayama et al.	D13/103
D524,728 S *	7/2006	Watson	D13/103
D535,250 S *	1/2007	Watson	D13/103
D537,408 S *	2/2007	Aglassinger	D13/103
2004/0106036 A1 *	6/2004	Geis et al.	429/99

* cited by examiner

Primary Examiner—Alan P. Douglas
Assistant Examiner—Rosemary K. Tarcza
(74) *Attorney, Agent, or Firm*—Butzel Long

(57) **CLAIM**

The ornamental design for a battery, as shown and described.

DESCRIPTION

FIG. 1 is a front elevational view of a first embodiment of a battery of the design;

FIG. 2 is a rear elevational view thereof;

FIG. 3 is a top plan view thereof;

FIG. 4 is a bottom plan view thereof;

FIG. 5 is a right side elevational view thereof;

FIG. 6 is a left side elevational view thereof;

FIG. 7 is a first perspective view thereof; and

FIG. 8 is a second perspective view thereof;

FIG. 9 is a front elevational view of a second embodiment of a battery of the design;

FIG. 10 is a rear elevational view thereof;

FIG. 11 is a top plan view thereof;

FIG. 12 is a bottom plan view thereof;

FIG. 13 is a right side elevational view thereof;

FIG. 14 is a left side elevational view thereof;

FIG. 15 is a first perspective view thereof; and

FIG. 16 is a second perspective view thereof;

FIG. 17 is a front elevational view of a third embodiment of a battery of the design;

FIG. 18 is a rear elevational view thereof;

FIG. 19 is a top plan view thereof;

FIG. 20 is a bottom plan view thereof;

FIG. 21 is a right side elevational view thereof;

FIG. 22 is a left side elevational view thereof;

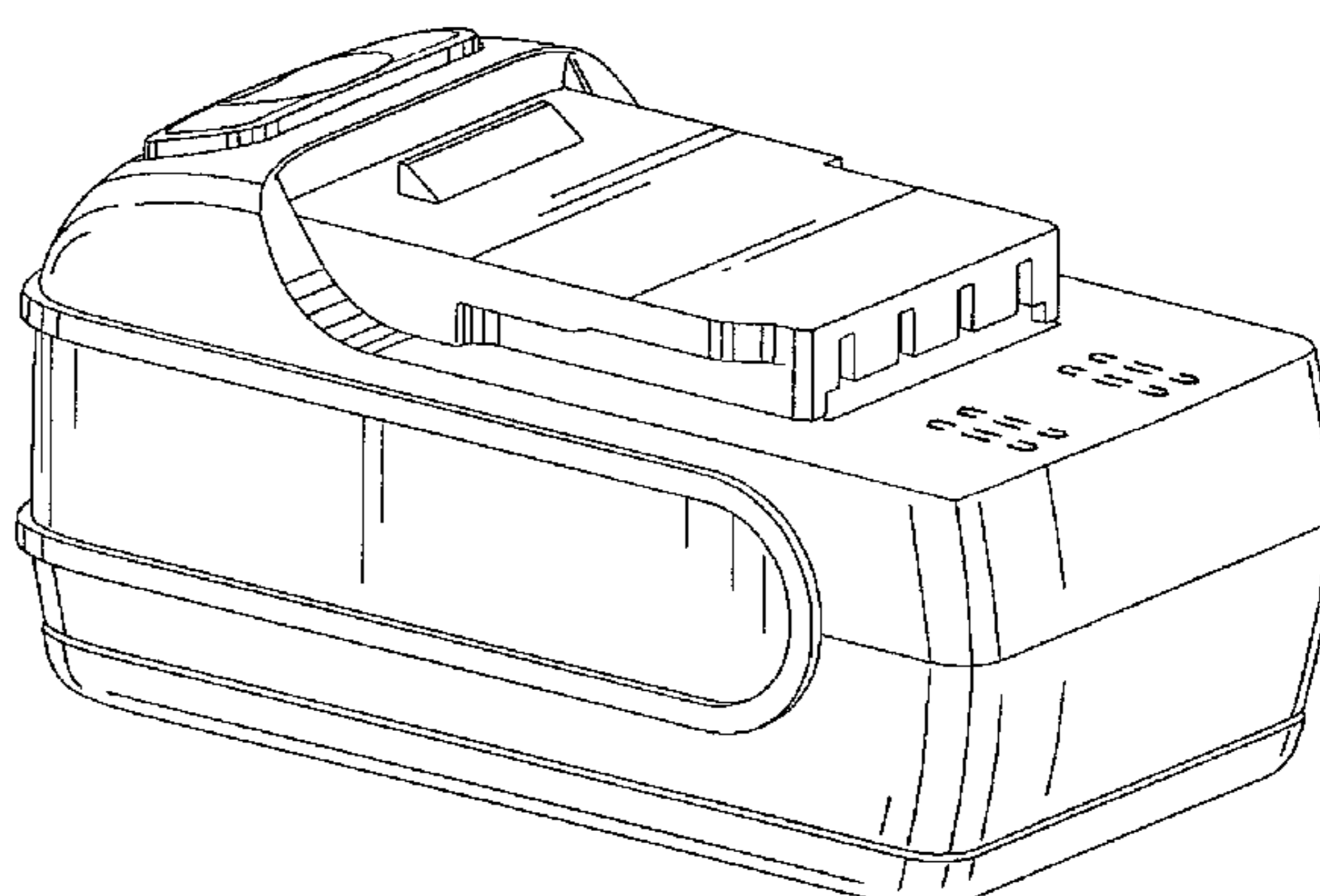
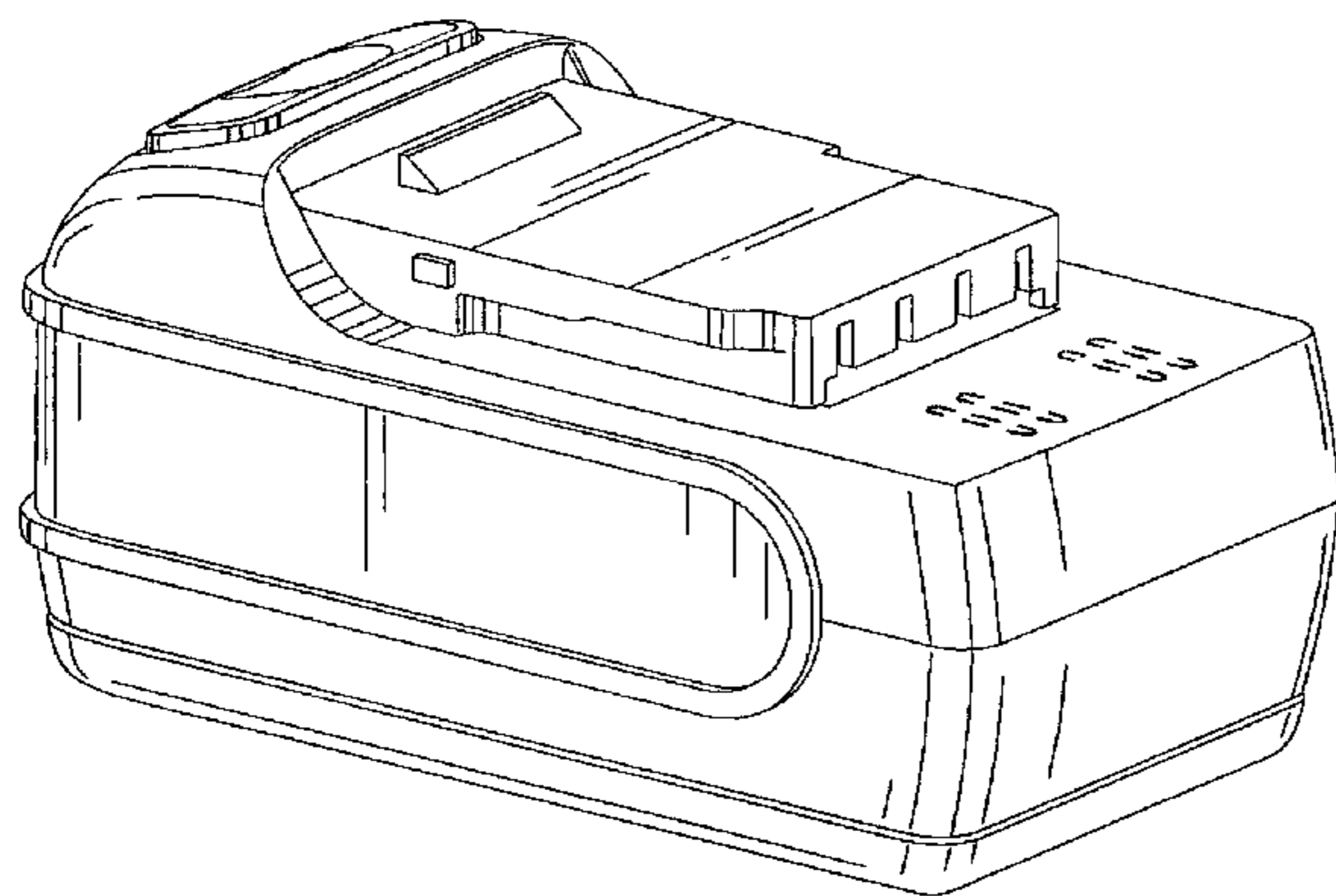


FIG. 23 is a first perspective view thereof; and
FIG. 24 is a second perspective view thereof;
FIG. 25 is a front elevational view of a fourth embodiment of a battery of the design;
FIG. 26 is a rear elevational view thereof;
FIG. 27 is a top plan view thereof;
FIG. 28 is a bottom plan view thereof;
FIG. 29 is a right side elevational view thereof;
FIG. 30 is a left side elevational view thereof;
FIG. 31 is a first perspective view thereof; and
FIG. 32 is a second perspective view thereof;
FIG. 33 is a front elevational view of a fifth embodiment of a battery of the design;
FIG. 34 is a rear elevational view thereof;
FIG. 35 is a top plan view thereof;
FIG. 36 is a bottom plan view thereof;
FIG. 37 is a right side elevational view thereof;
FIG. 38 is a left side elevational view thereof;
FIG. 39 is a first perspective view thereof; and
FIG. 40 is a second perspective view thereof;
FIG. 41 is a front elevational view of a sixth embodiment of a battery of the design;
FIG. 42 is a rear elevational view thereof;

FIG. 43 is a top plan view thereof;
FIG. 44 is a bottom plan view thereof;
FIG. 45 is a right side elevational view thereof;
FIG. 46 is a left side elevational view thereof;
FIG. 47 is a first perspective view thereof; and
FIG. 48 is a second perspective view thereof;
FIG. 49 is a front elevational view of a seventh embodiment of a battery of the design;
FIG. 50 is a rear elevational view thereof;
FIG. 51 is a top plan view thereof;
FIG. 52 is a bottom plan view thereof;
FIG. 53 is a right side elevational view thereof;
FIG. 54 is a left side elevational view thereof;
FIG. 55 is a first perspective view thereof; and,
FIG. 56 is a second perspective view thereof.

The ornamental design which is claimed is shown in solid lines in the drawings. Any broken lines in the drawings are for illustrative purpose only and form no part of the claimed design. (Said broken lines appear in FIGS. 3-5, 7-8; FIGS. 11-13, 15-16; FIGS. 19-21, 23-24; FIGS. 27-29, 31-32; FIGS. 35-37, 39-40; 43-45, 47-48; FIGS. 51-53, 55-56.)

1 Claim, 35 Drawing Sheets

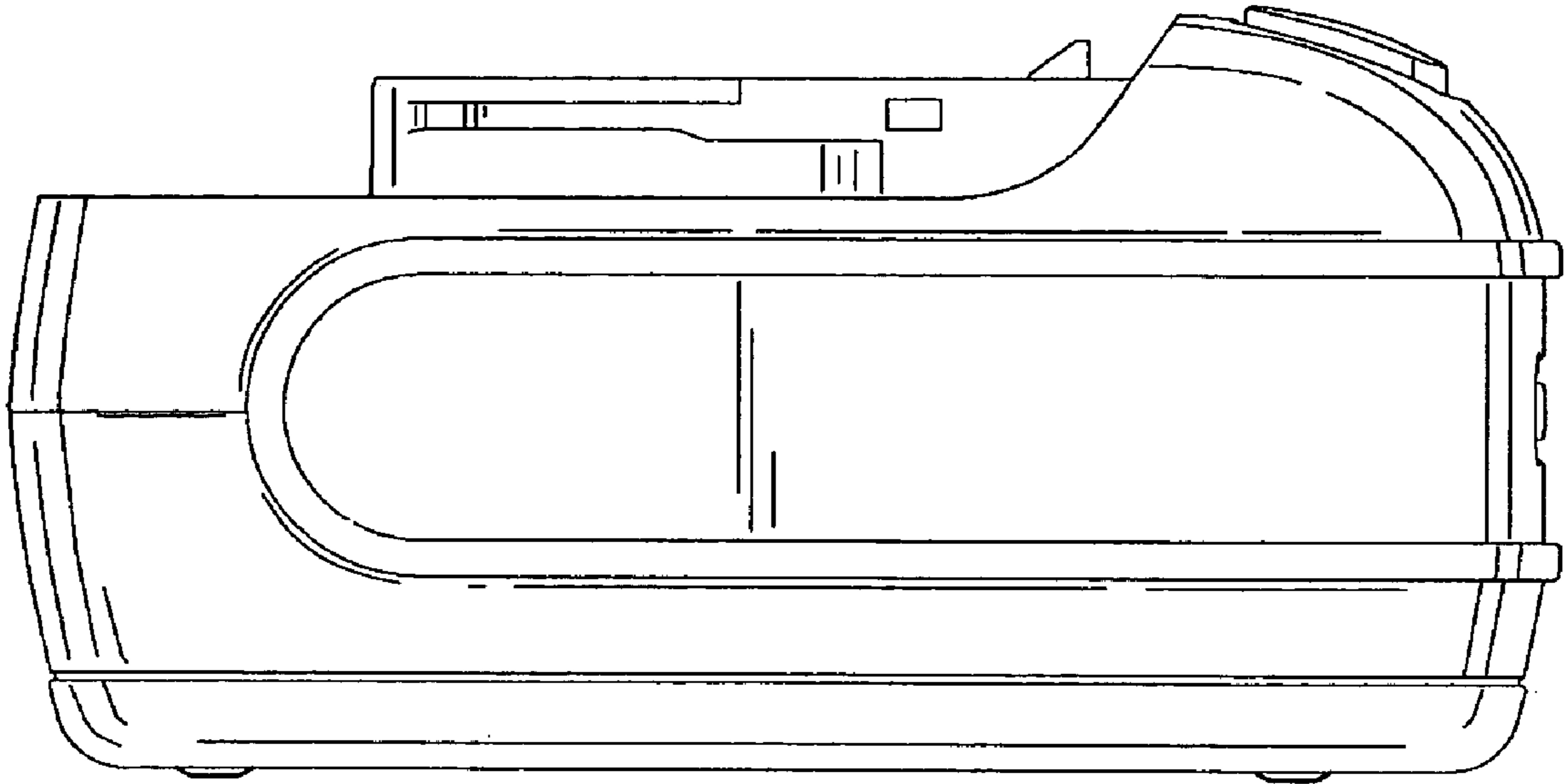


FIG. 1

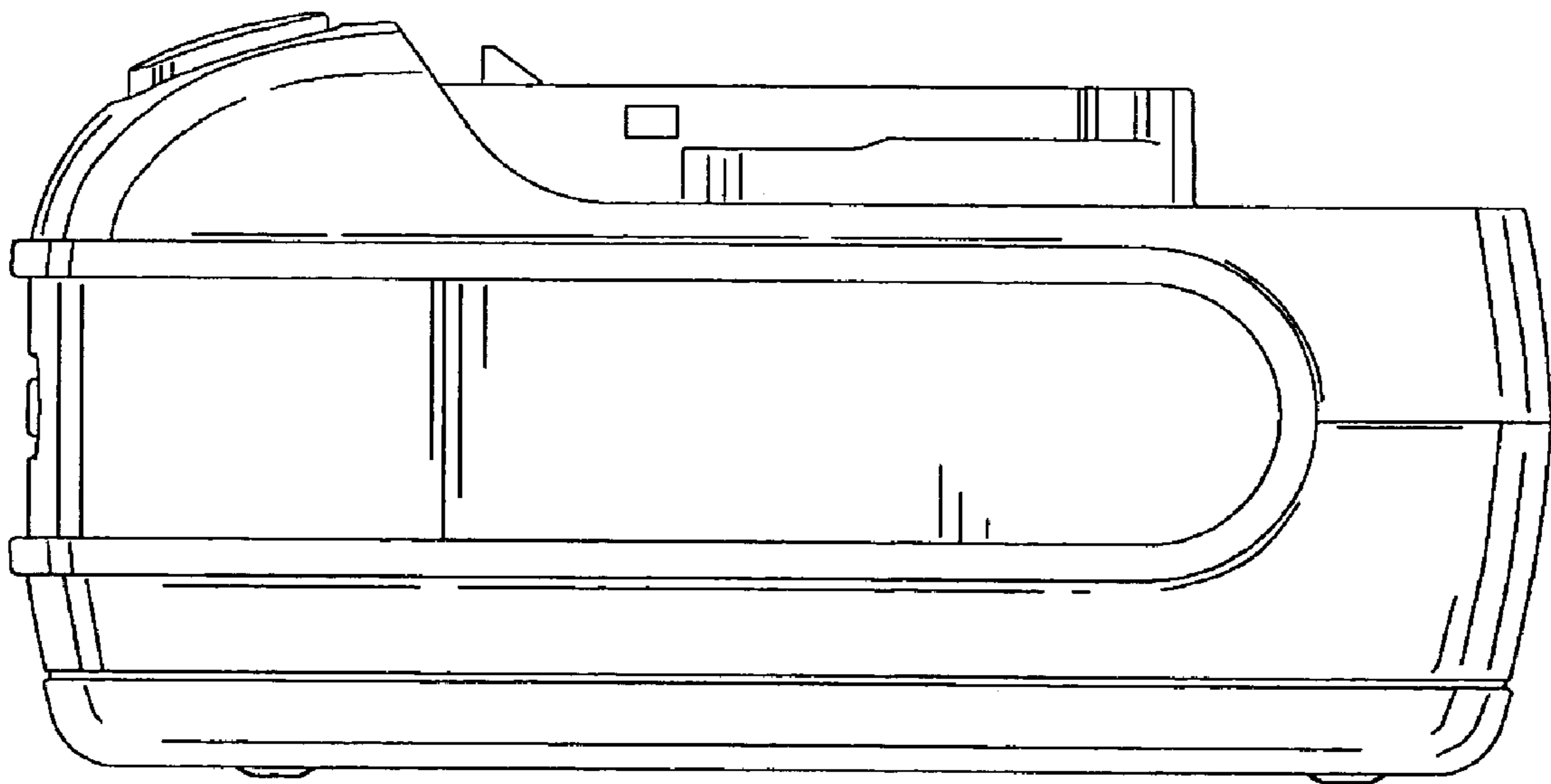


FIG. 2

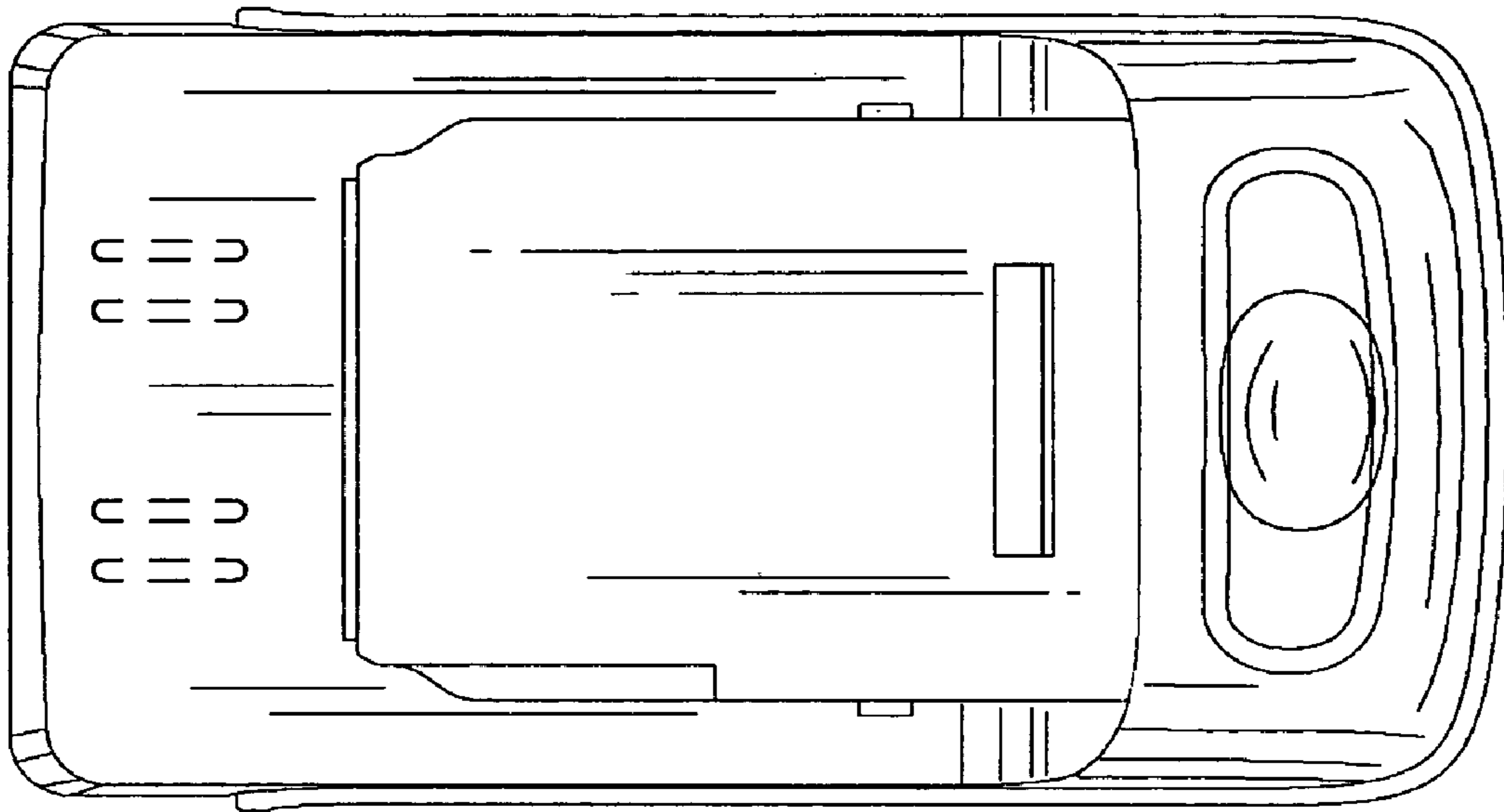


FIG. 3

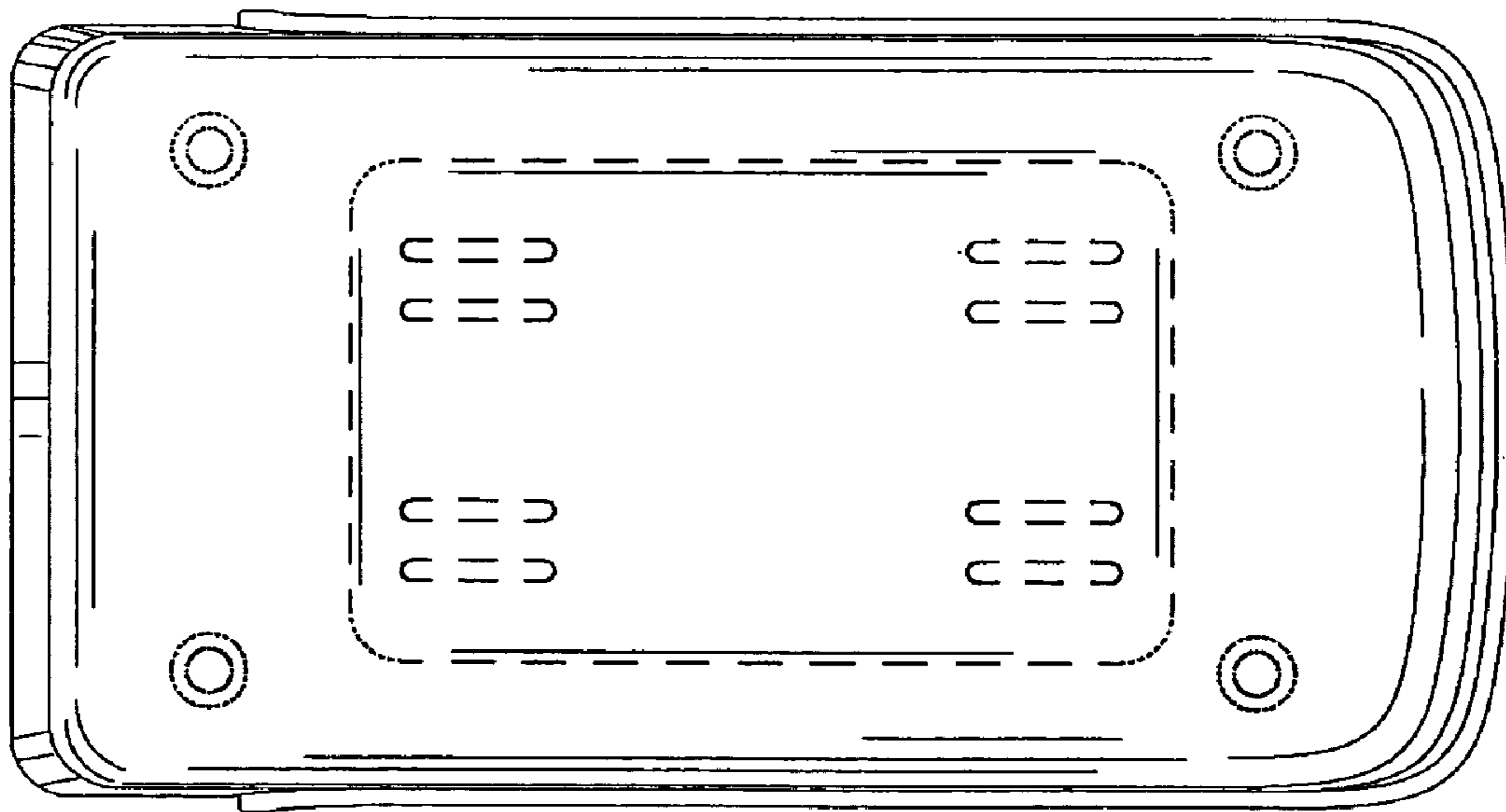


FIG. 4

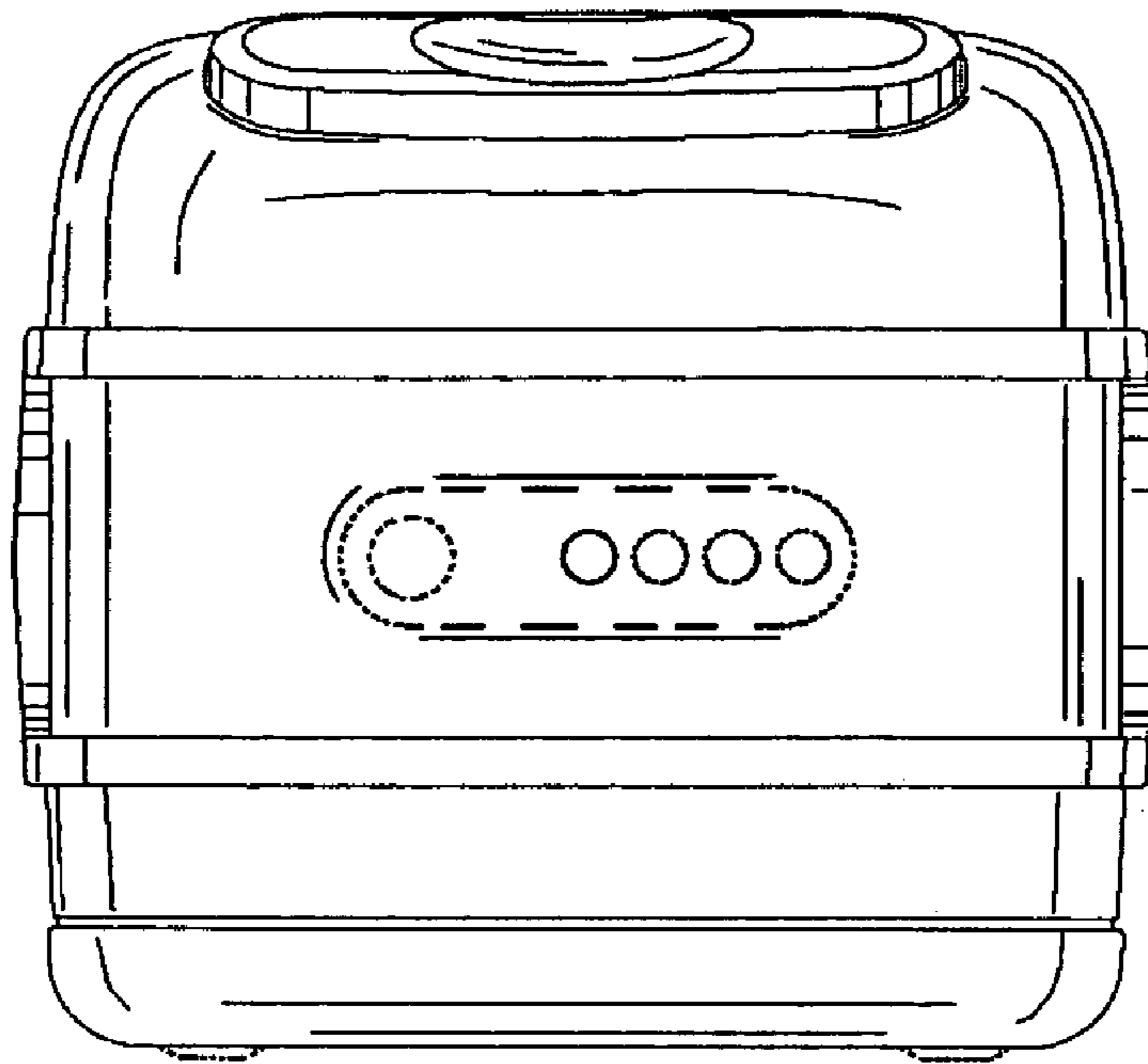


FIG. 5

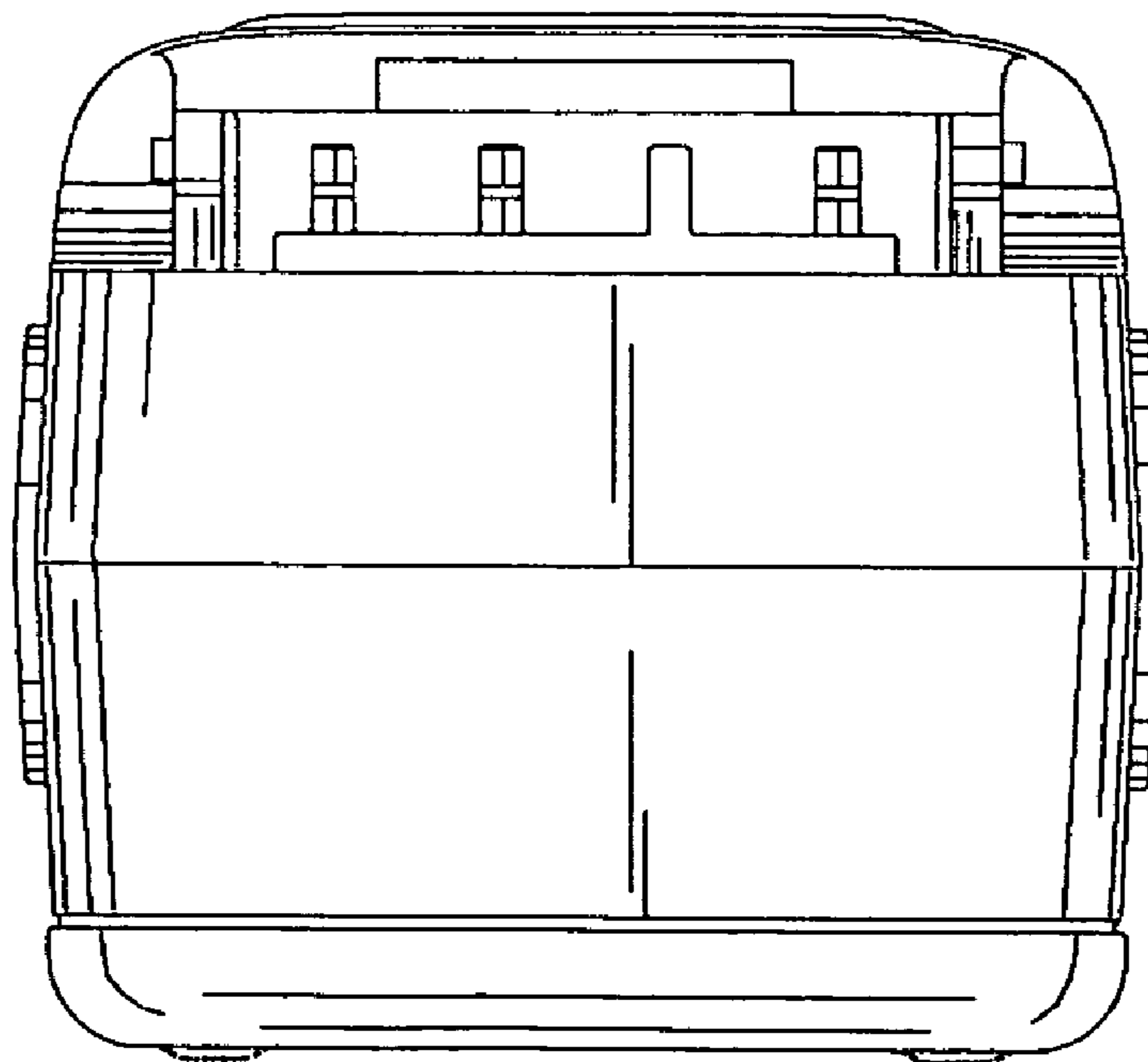


FIG. 6

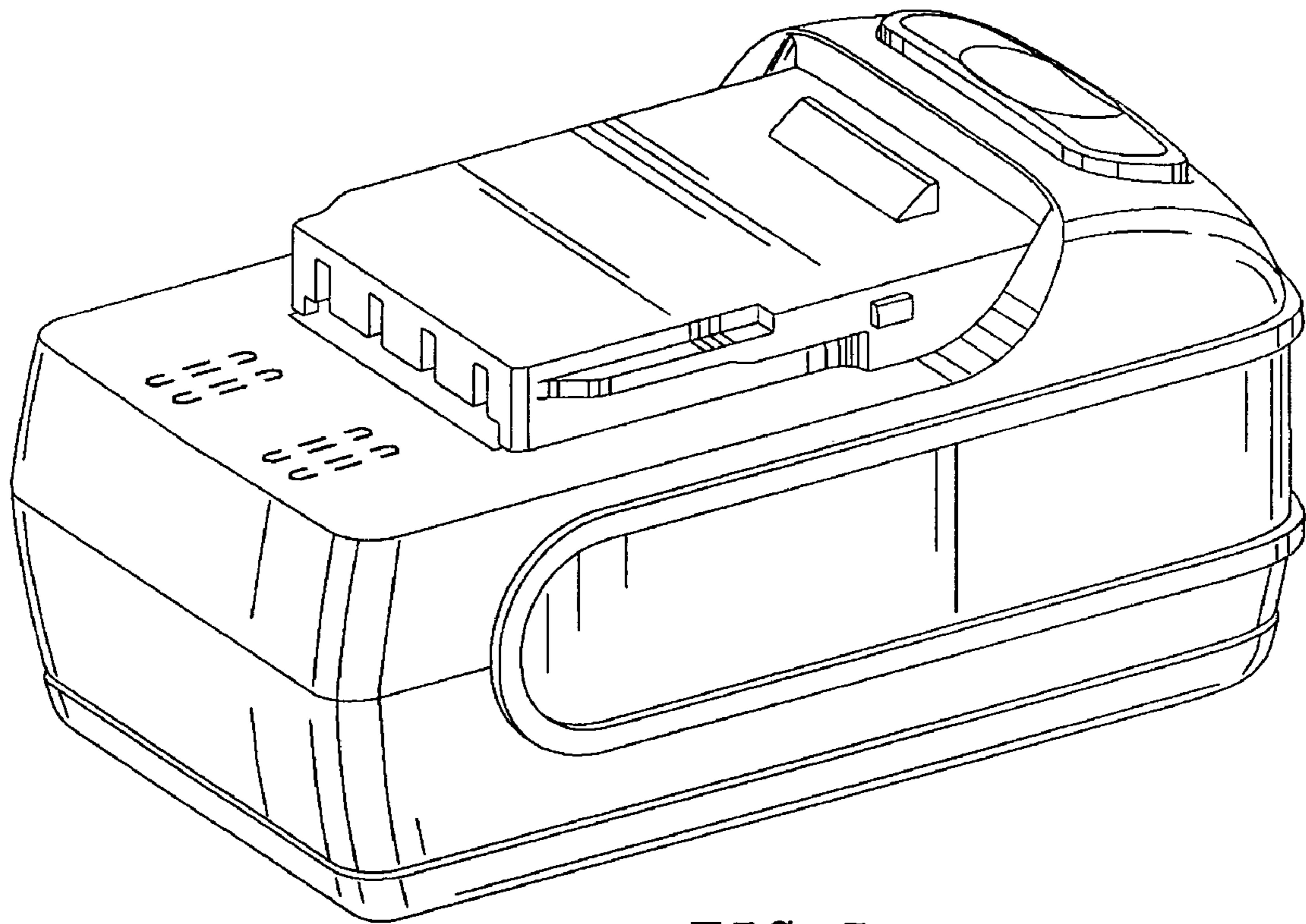


FIG. 7

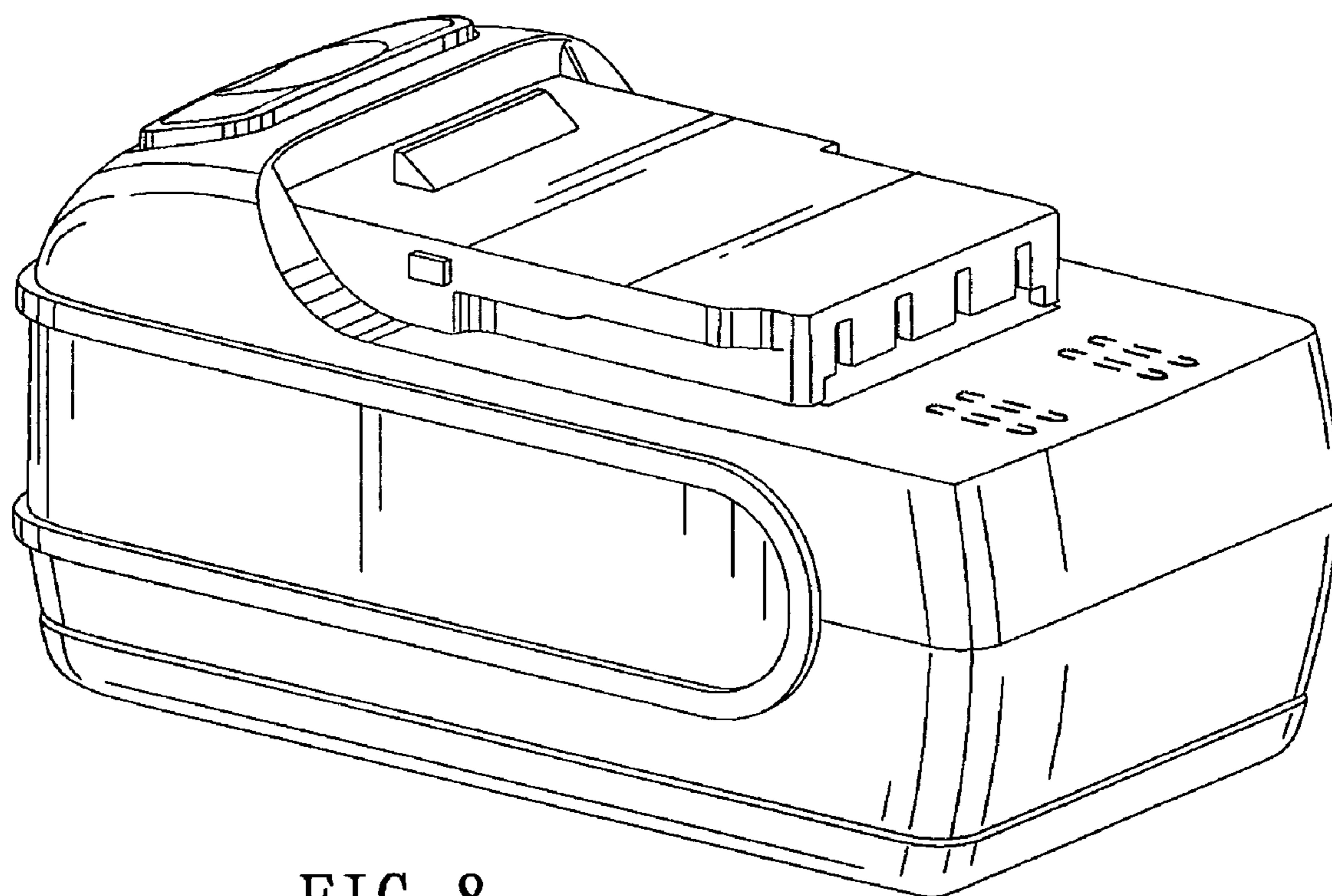


FIG. 8

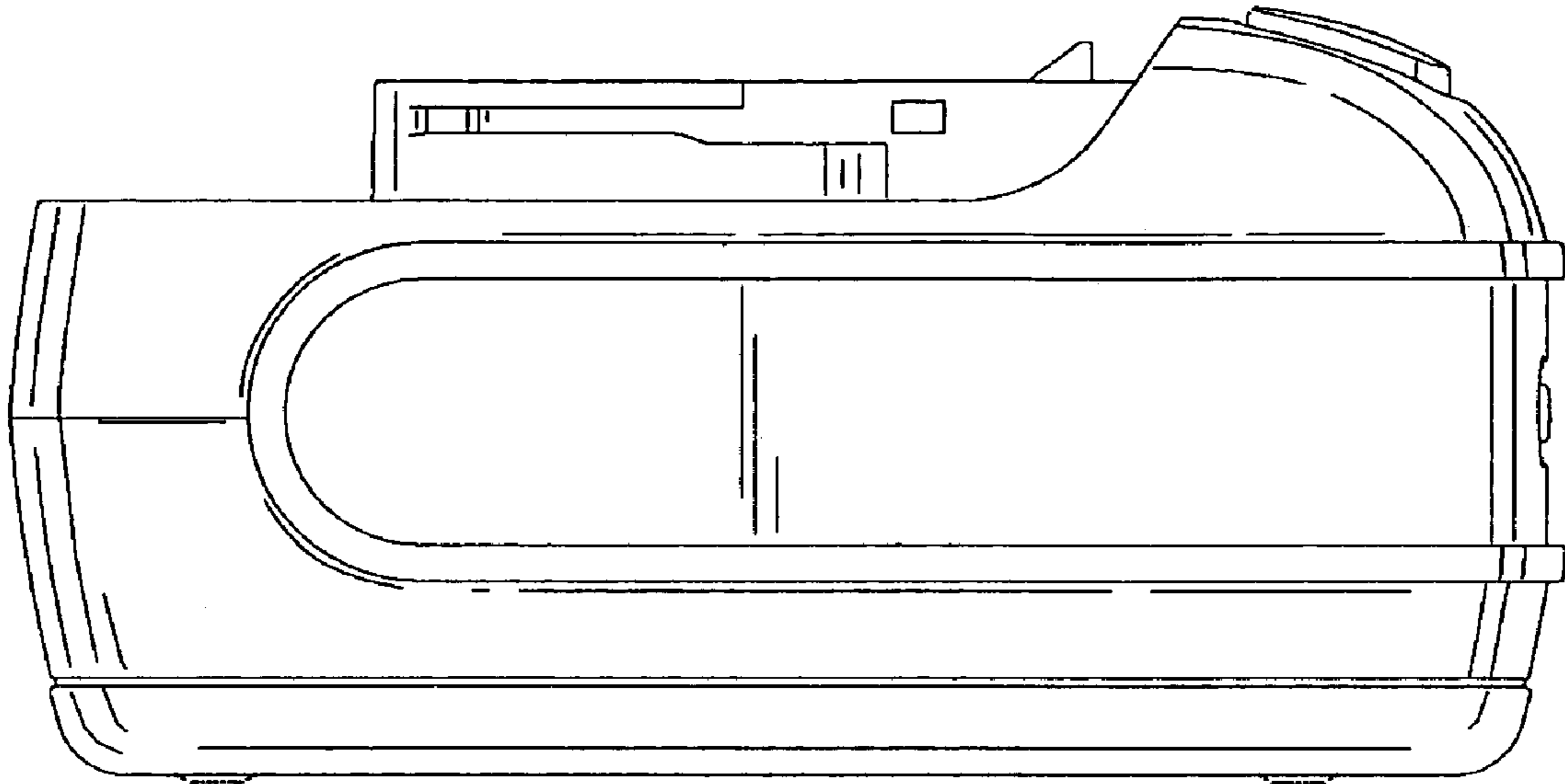


FIG. 9

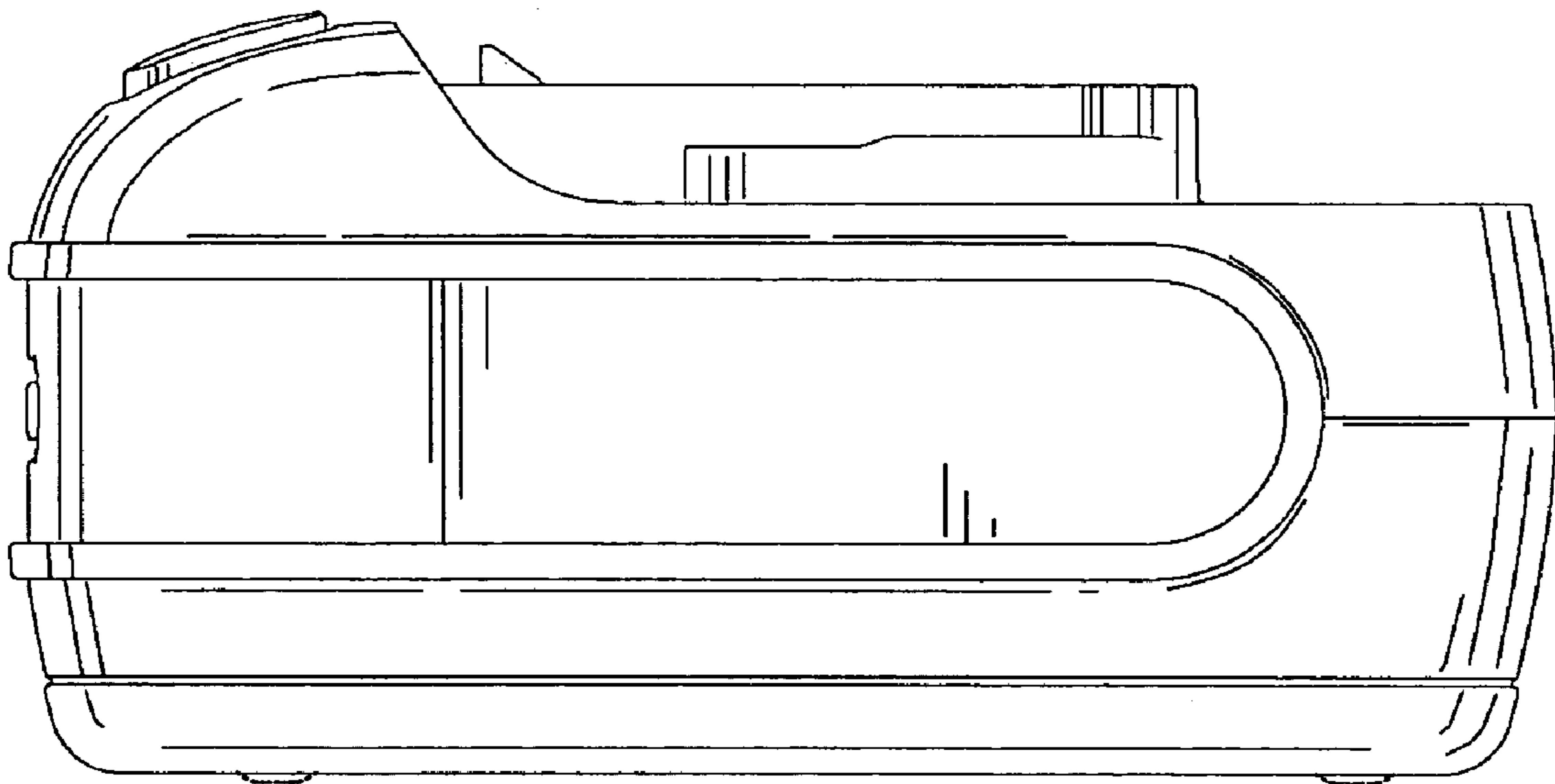


FIG. 10

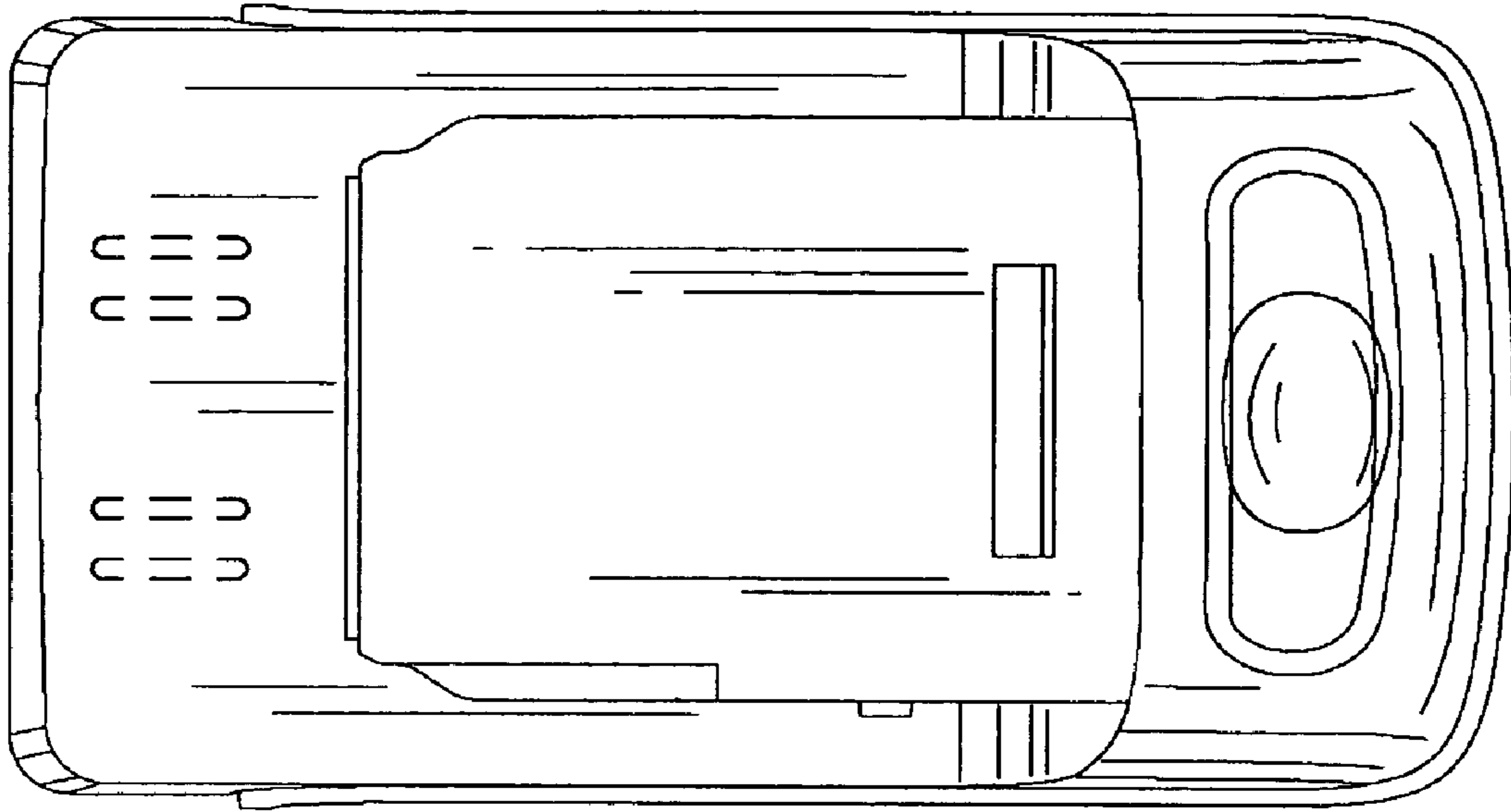


FIG. 11

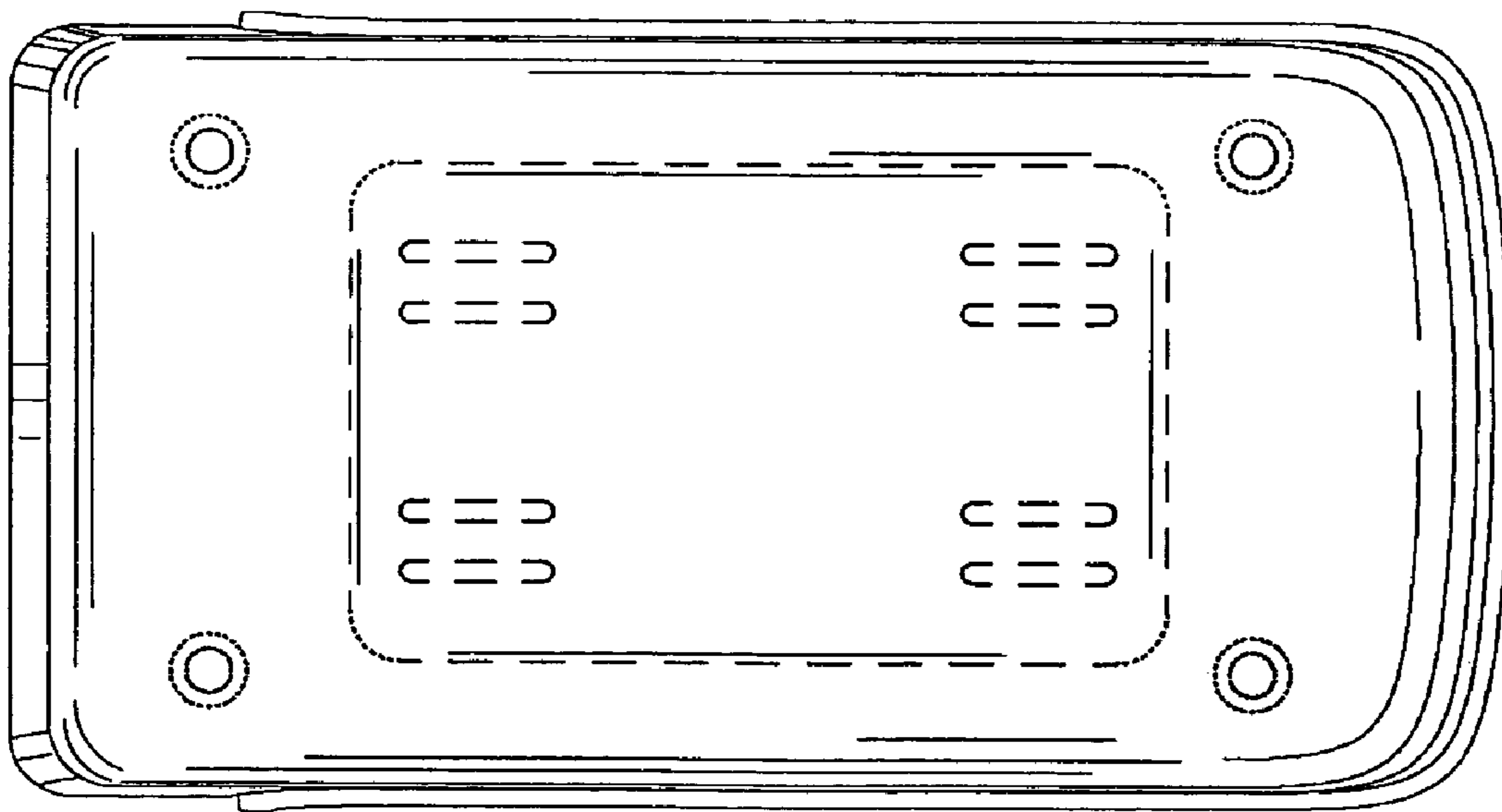


FIG. 12

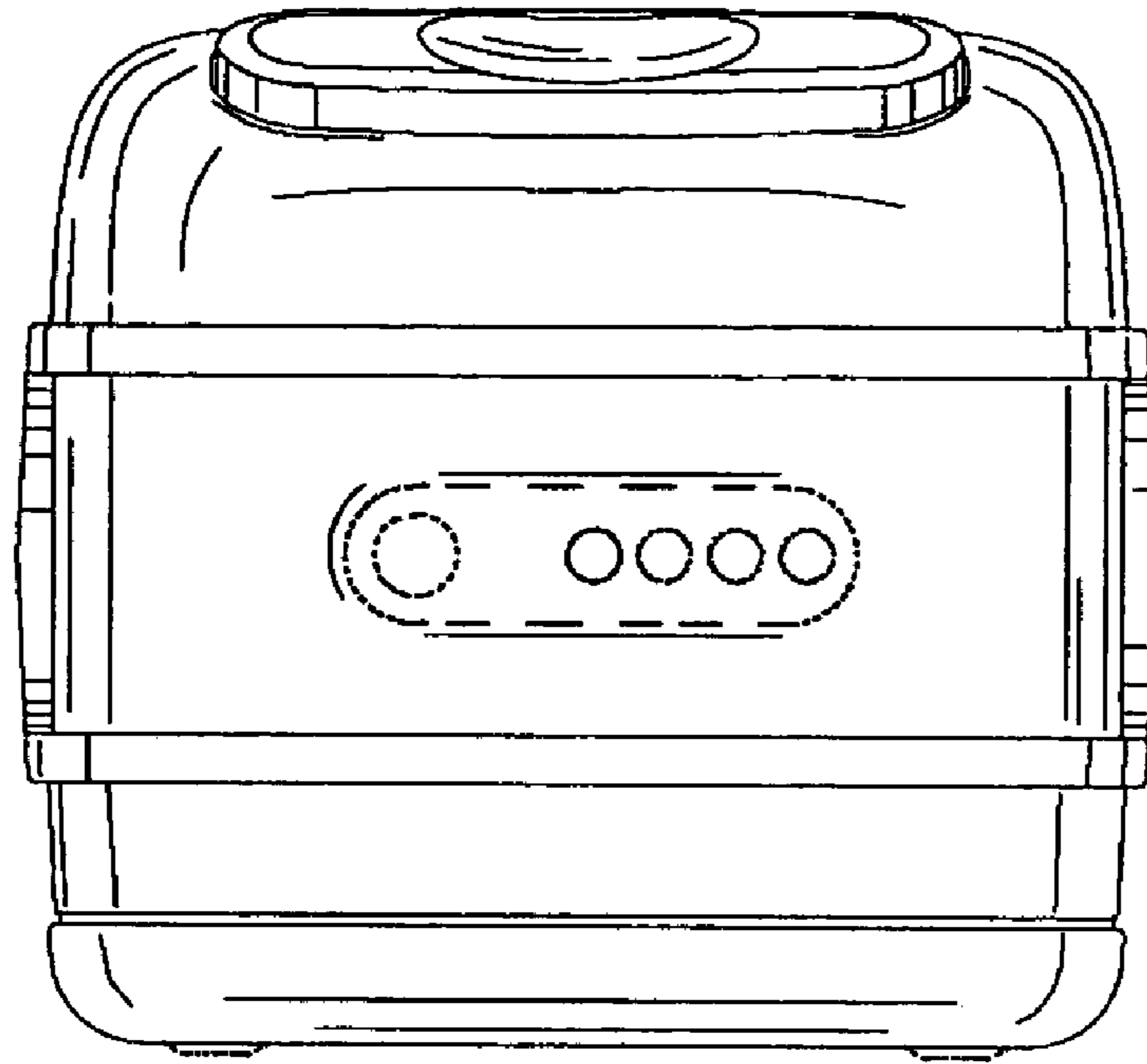


FIG. 13

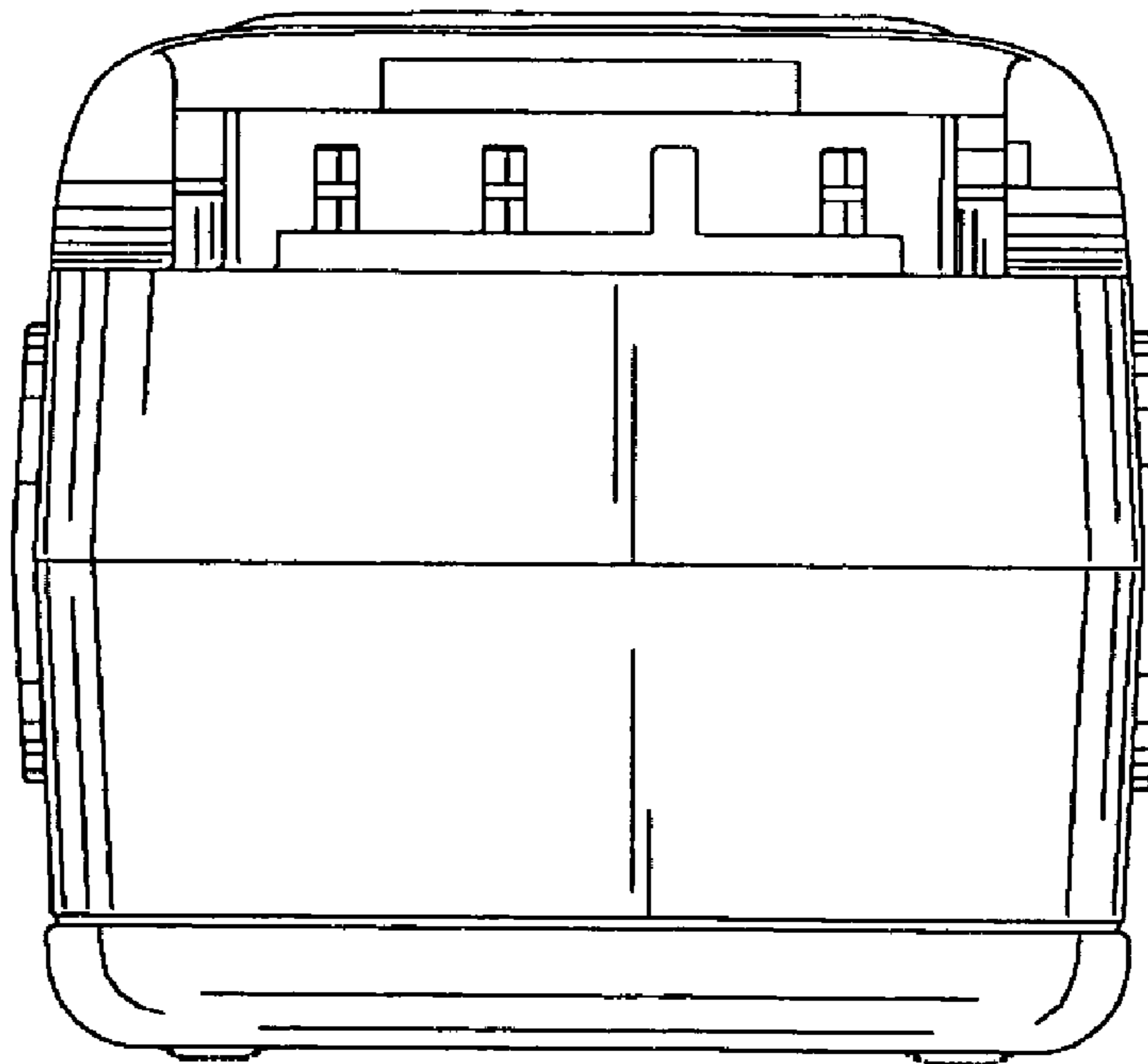


FIG. 14

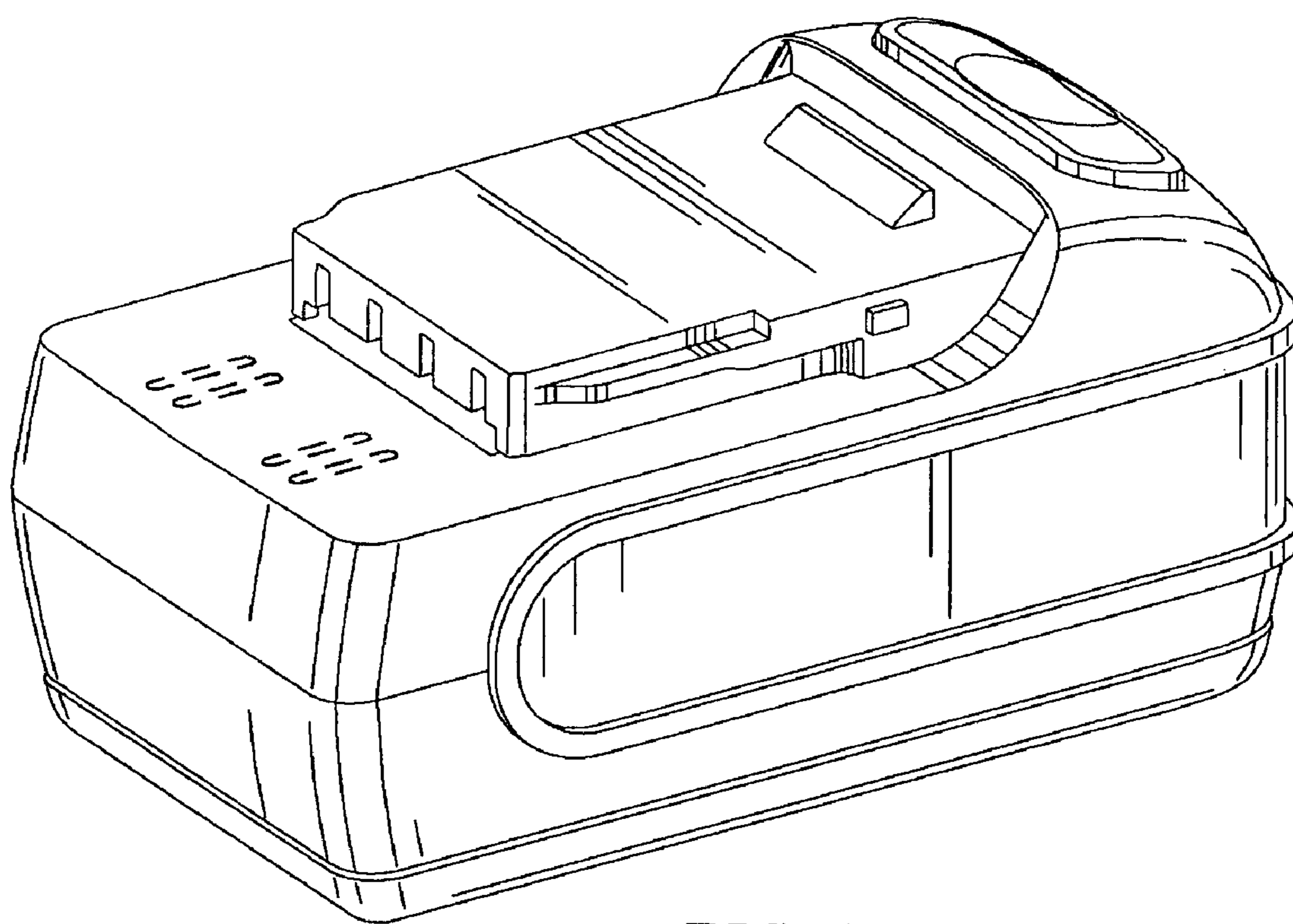


FIG. 15

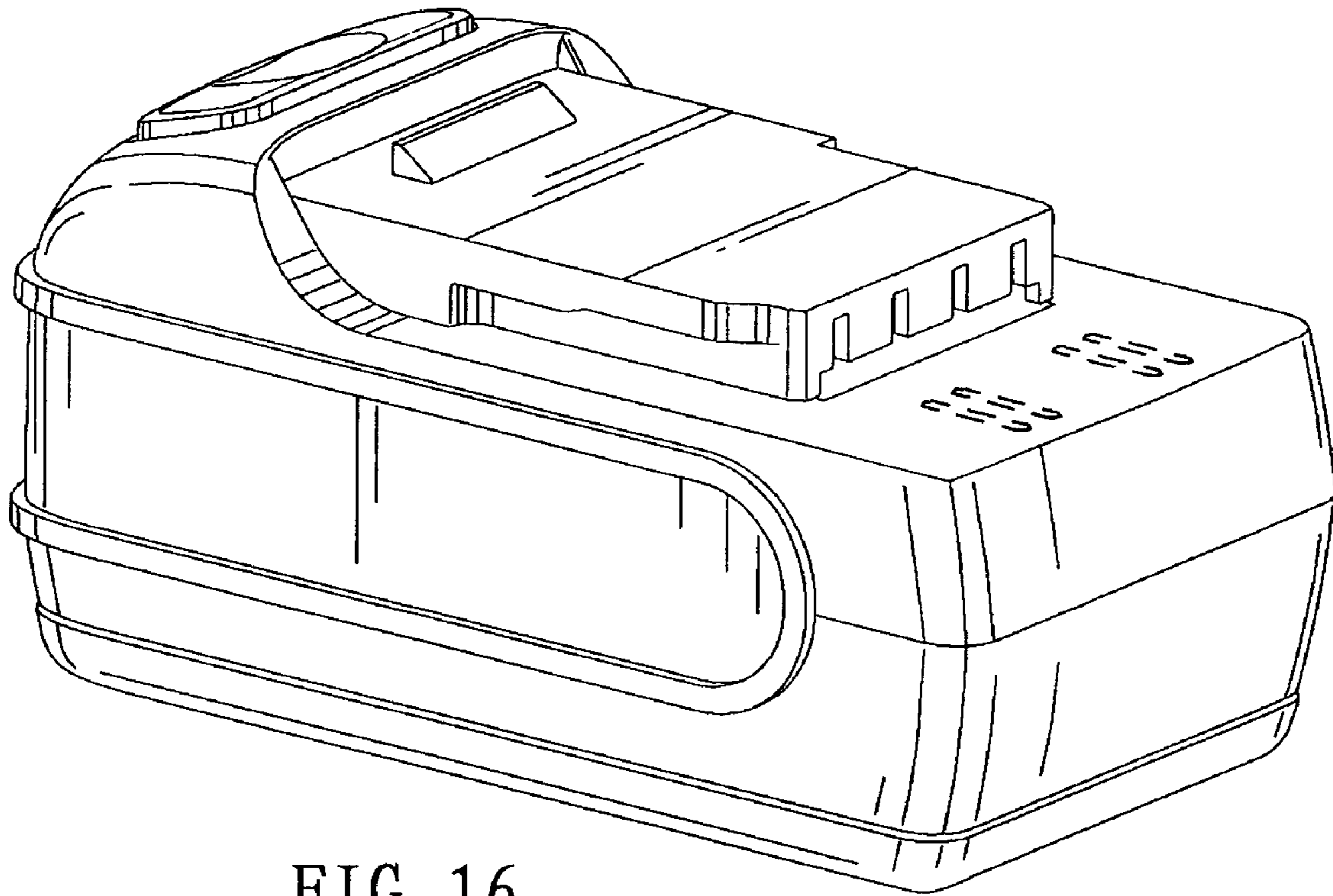


FIG. 16

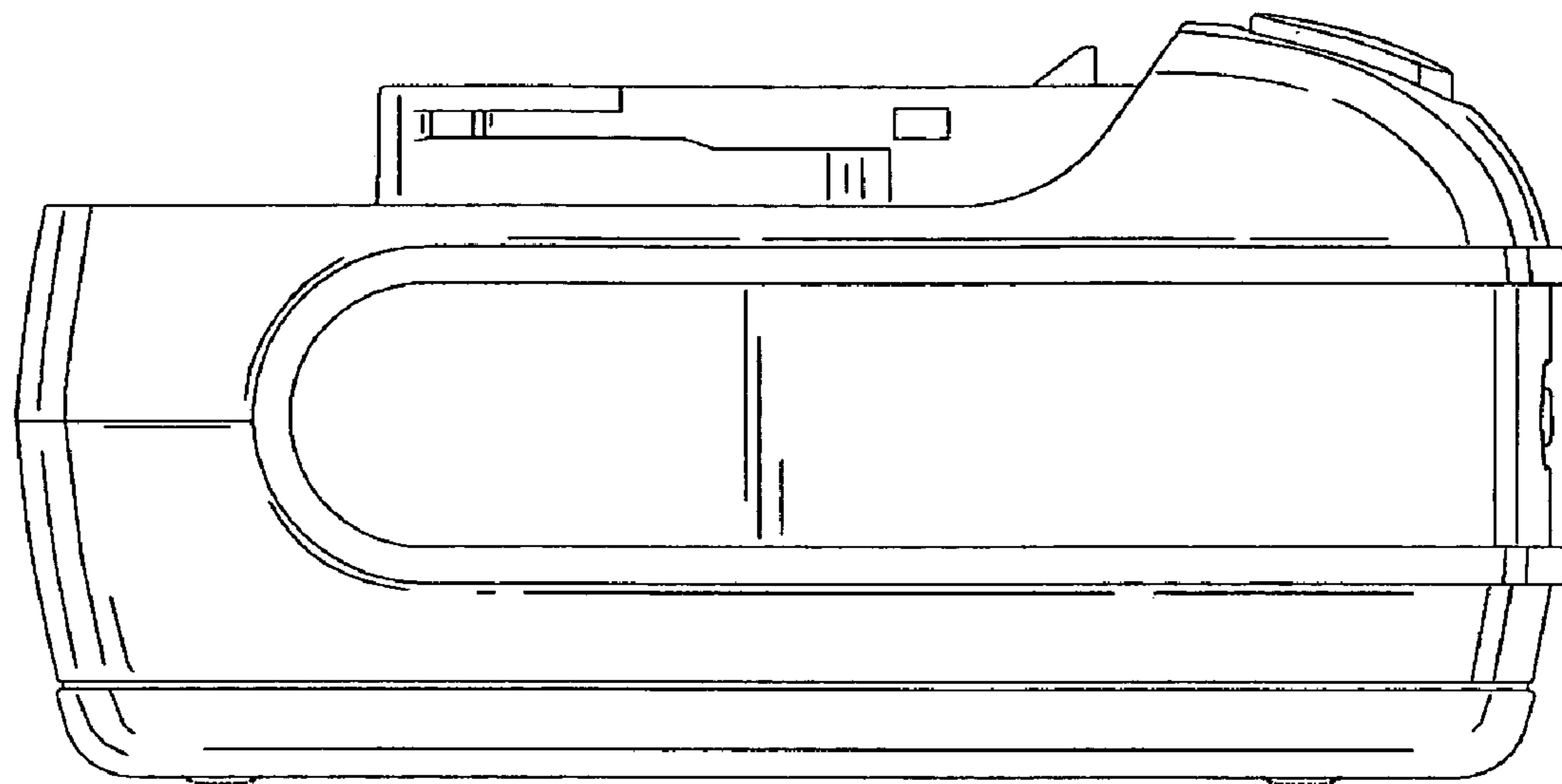


FIG. 17

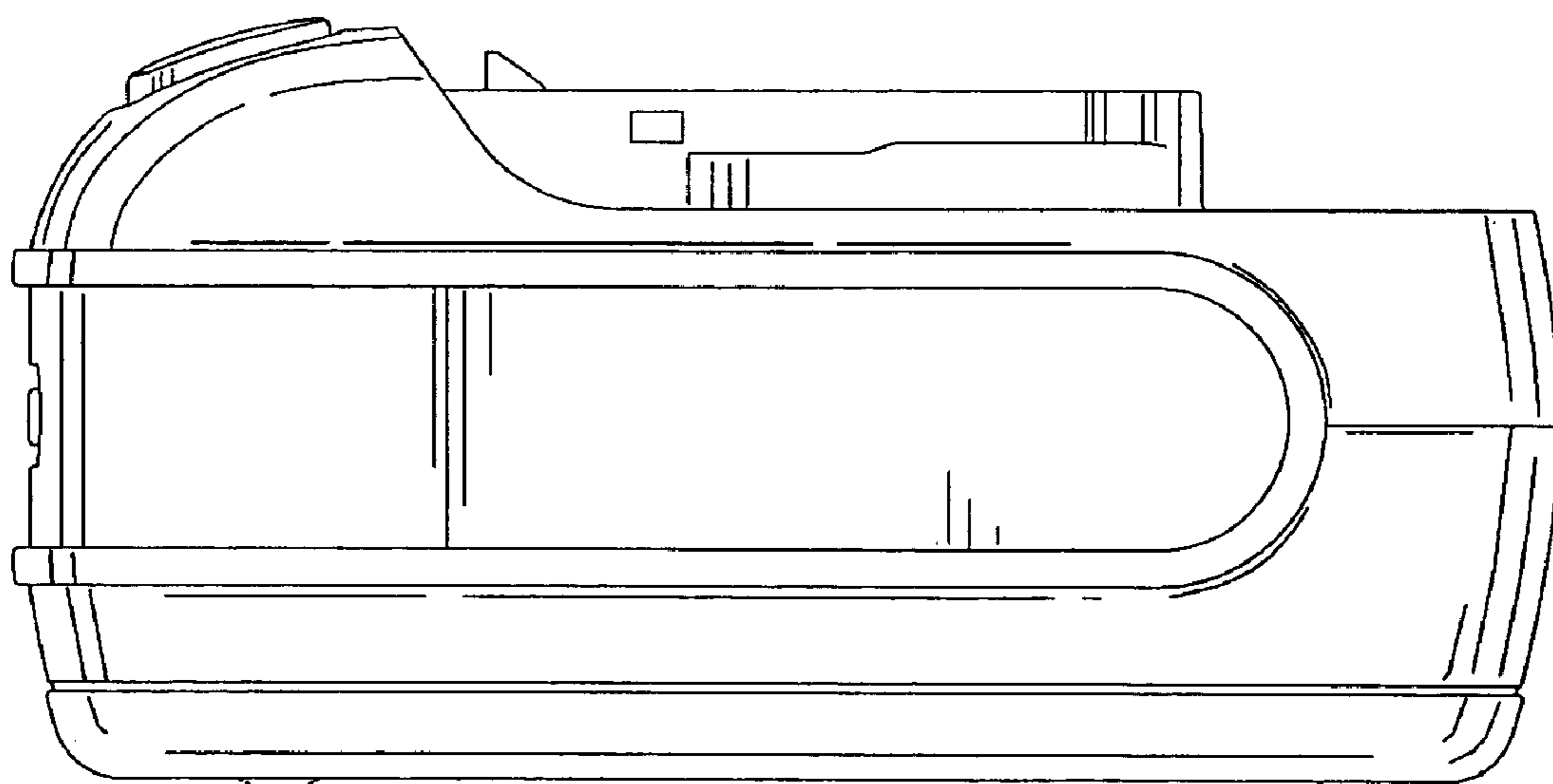


FIG. 18

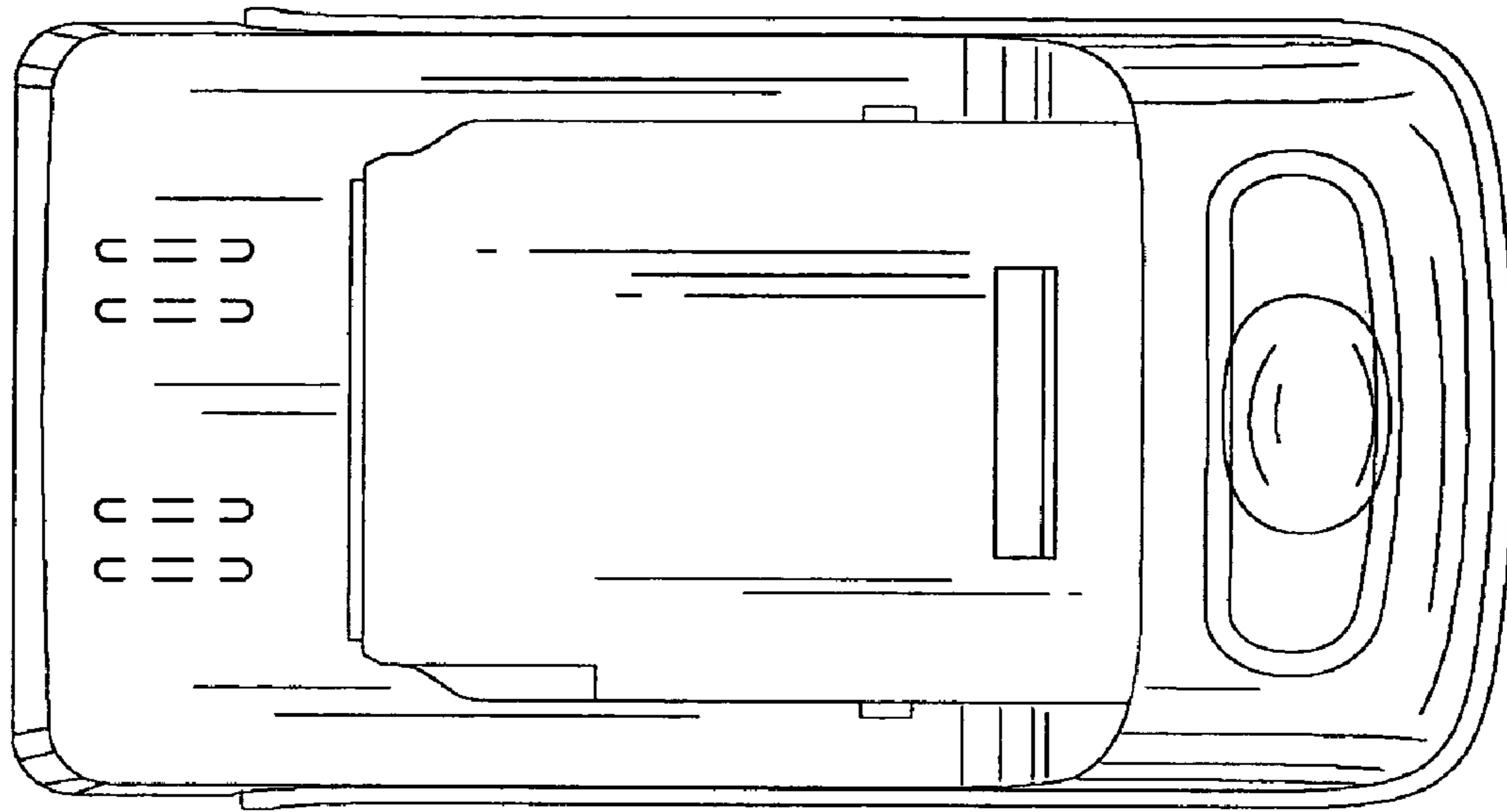


FIG. 19

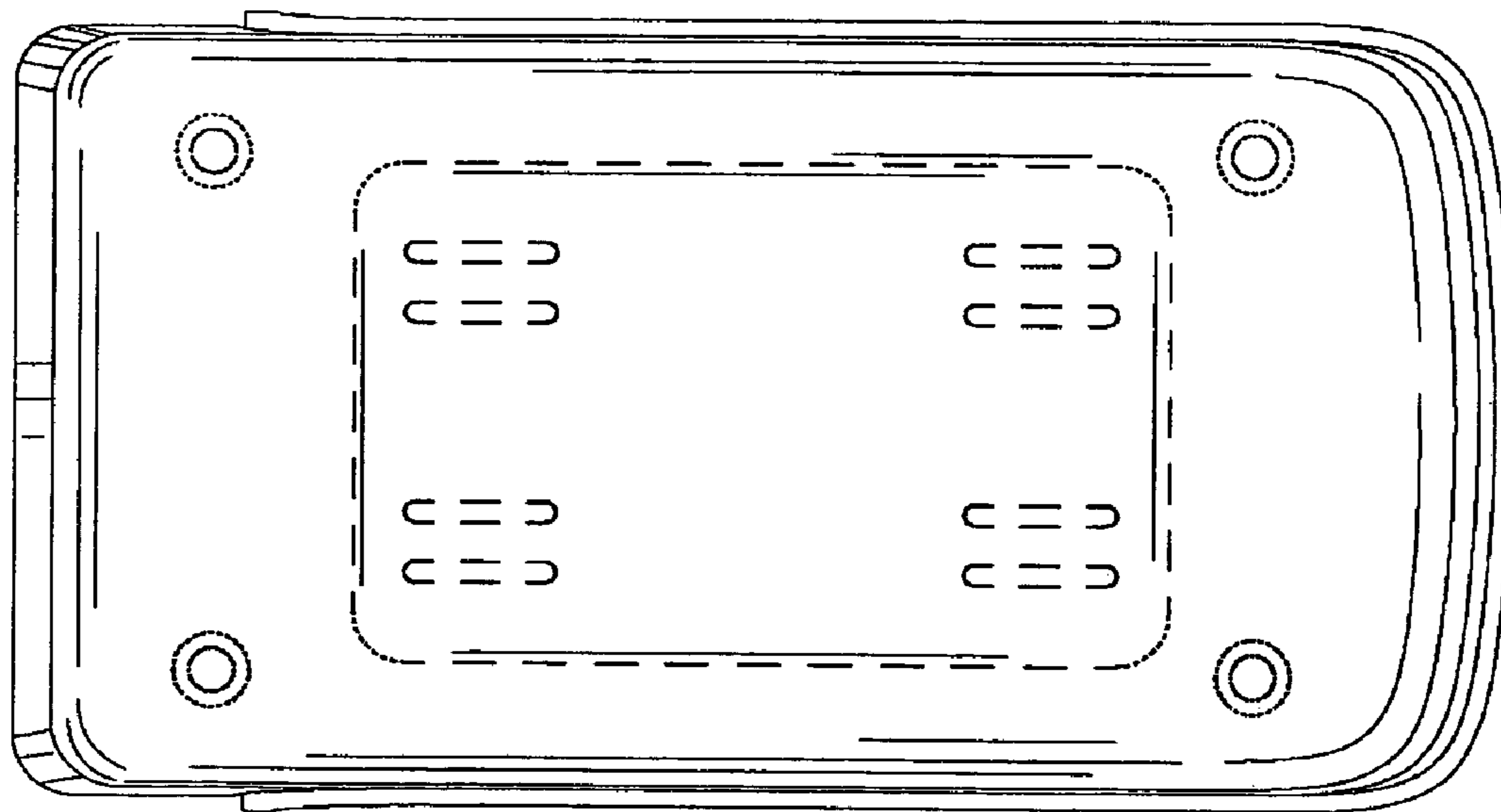


FIG. 20

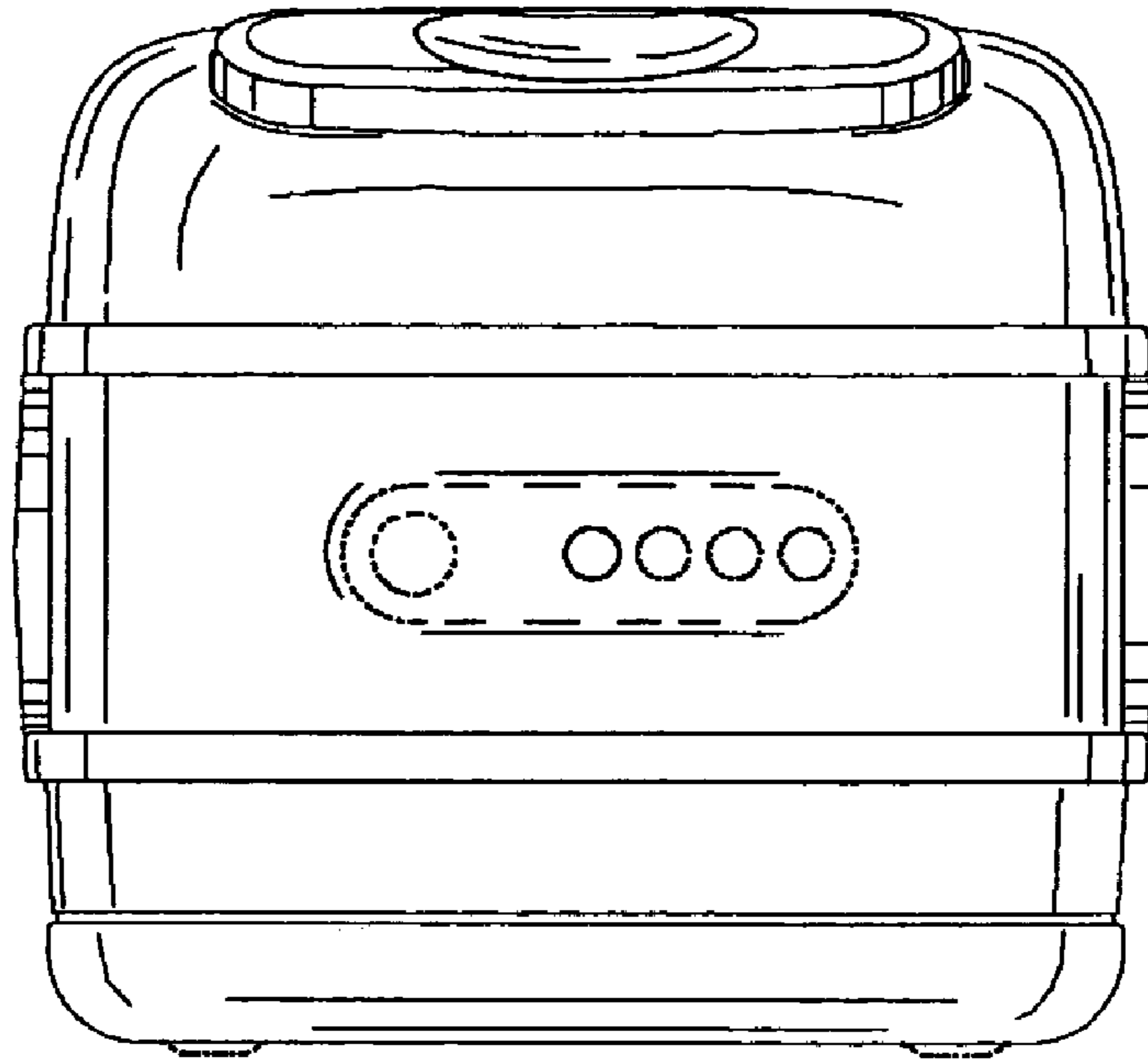


FIG. 21

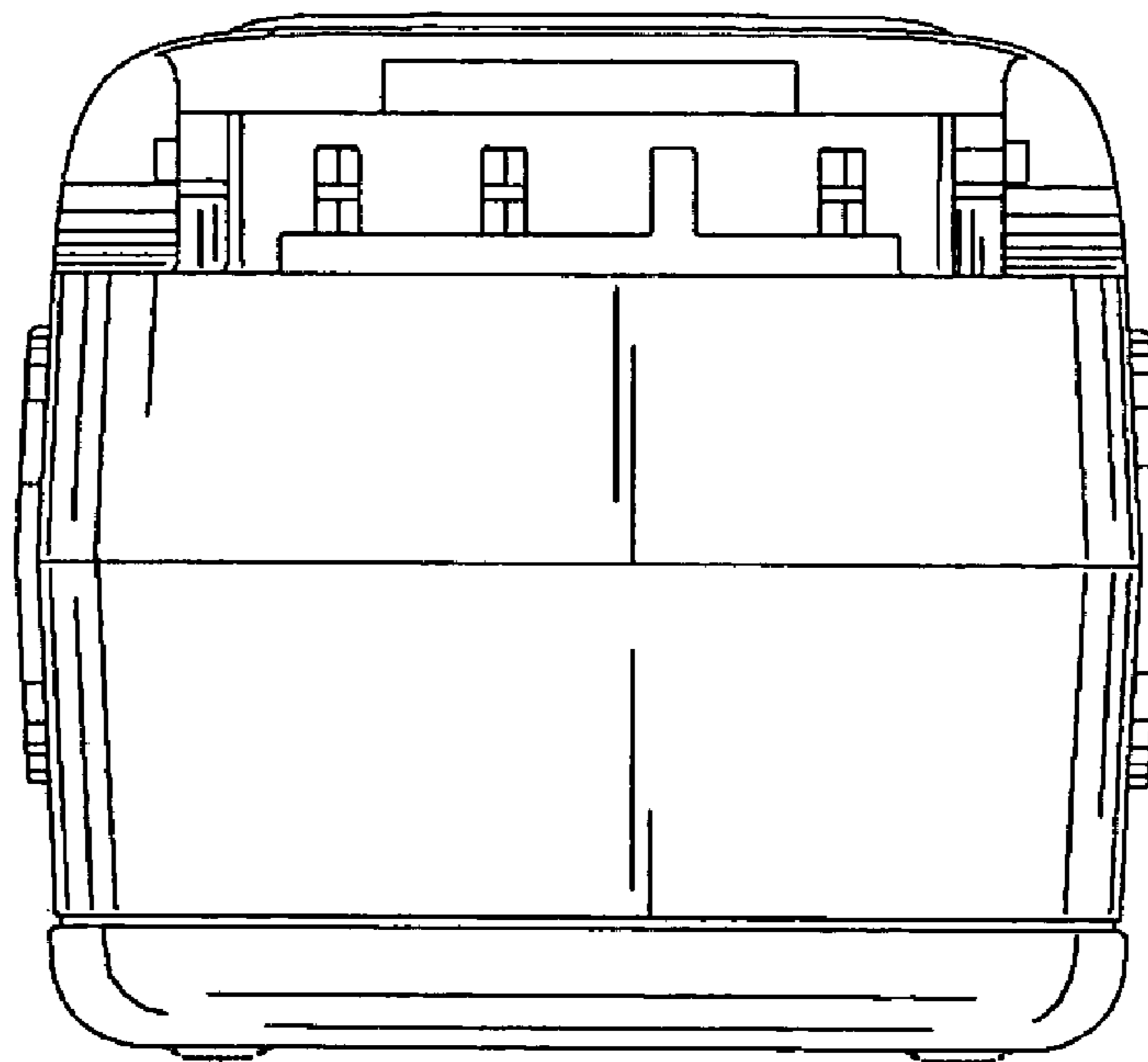


FIG. 22

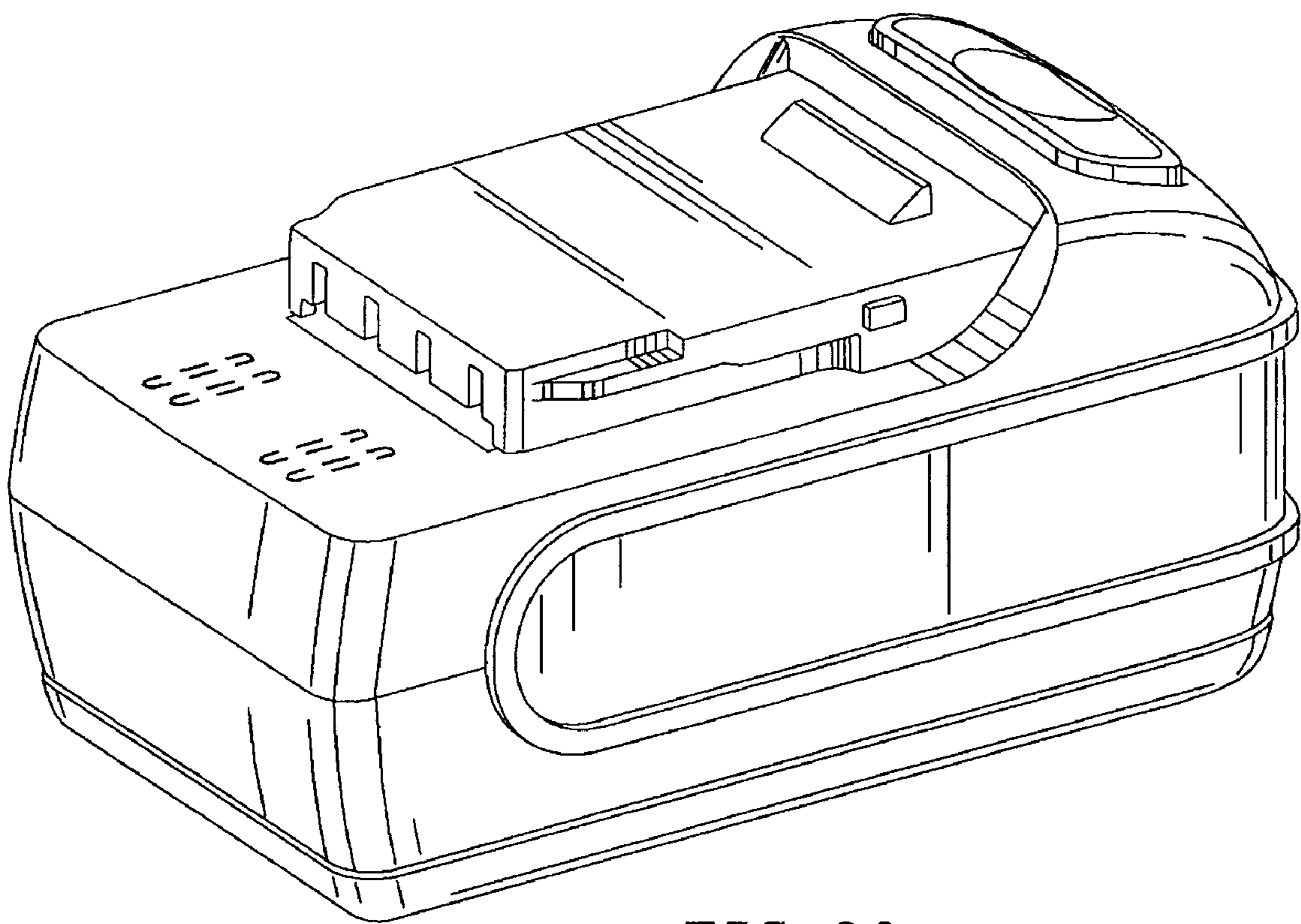


FIG. 23

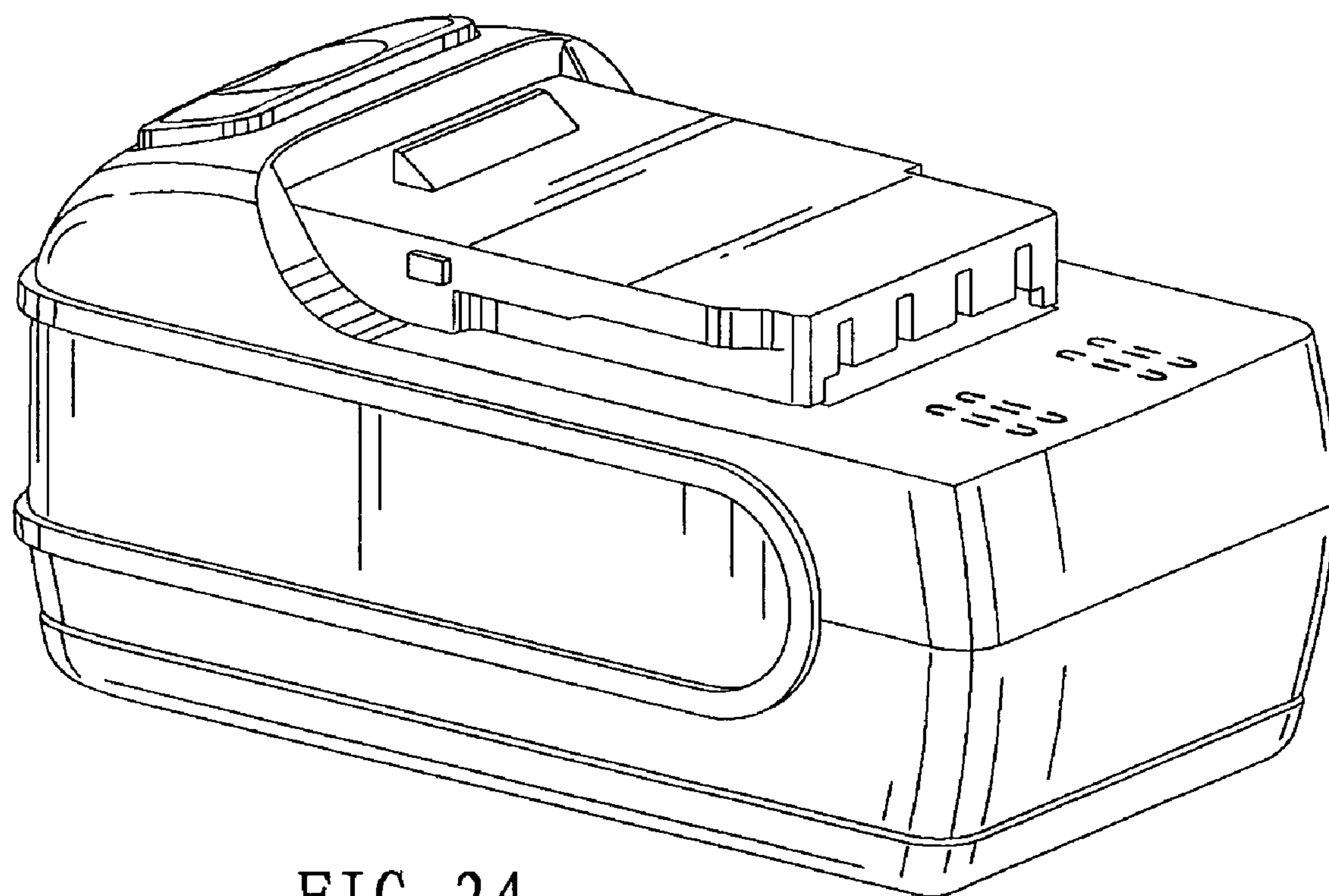


FIG. 24

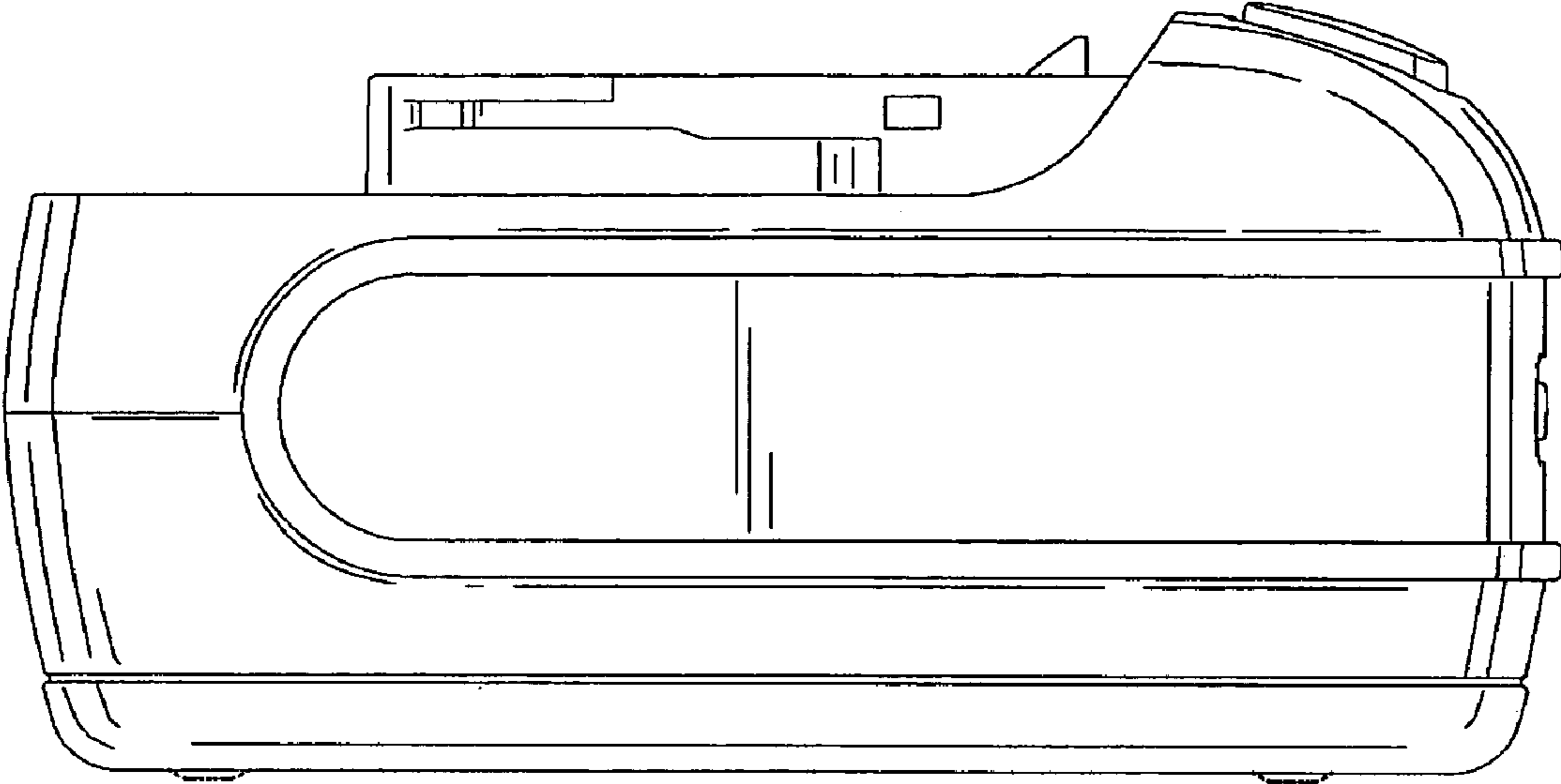


FIG. 25

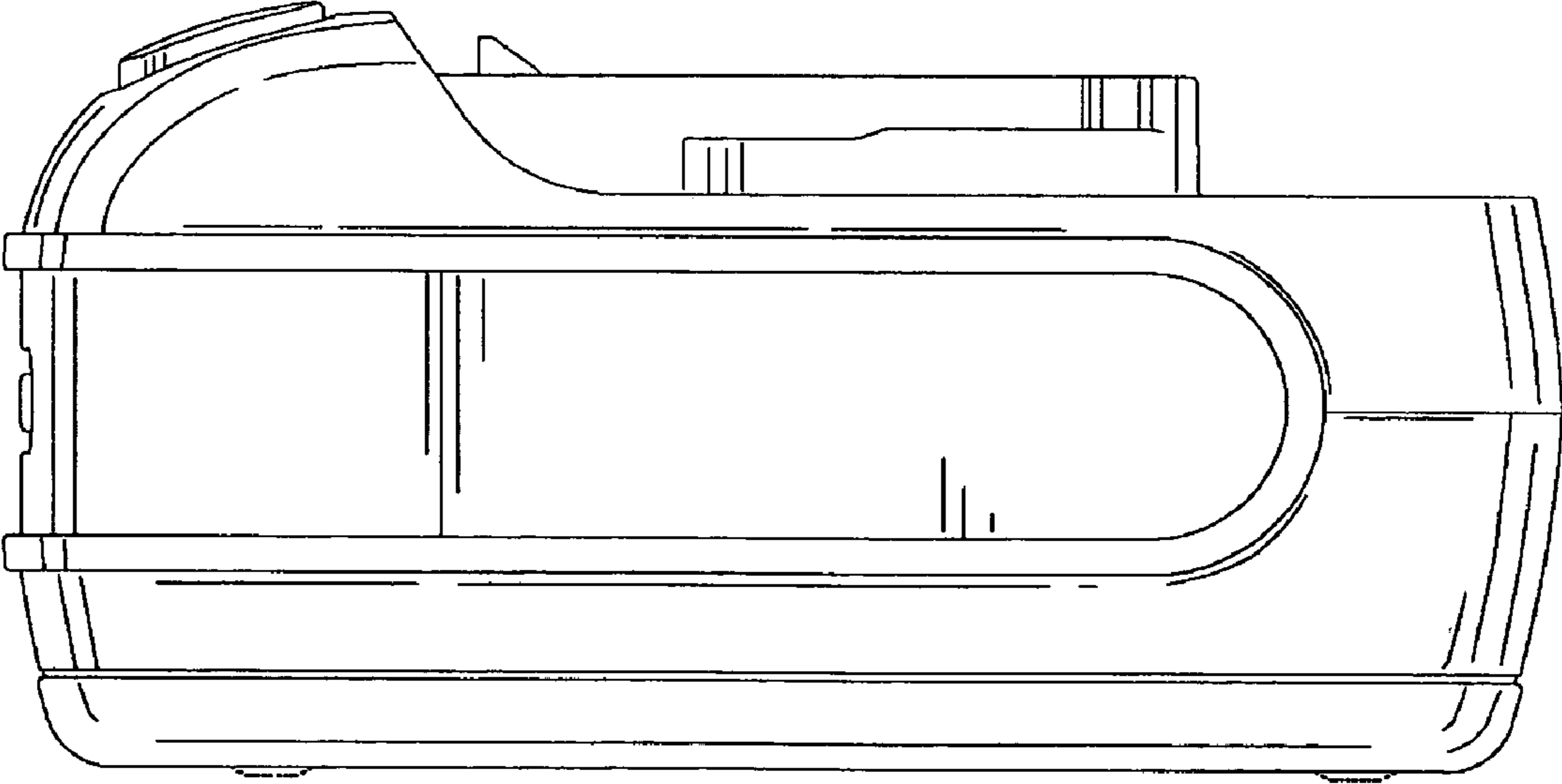


FIG. 26

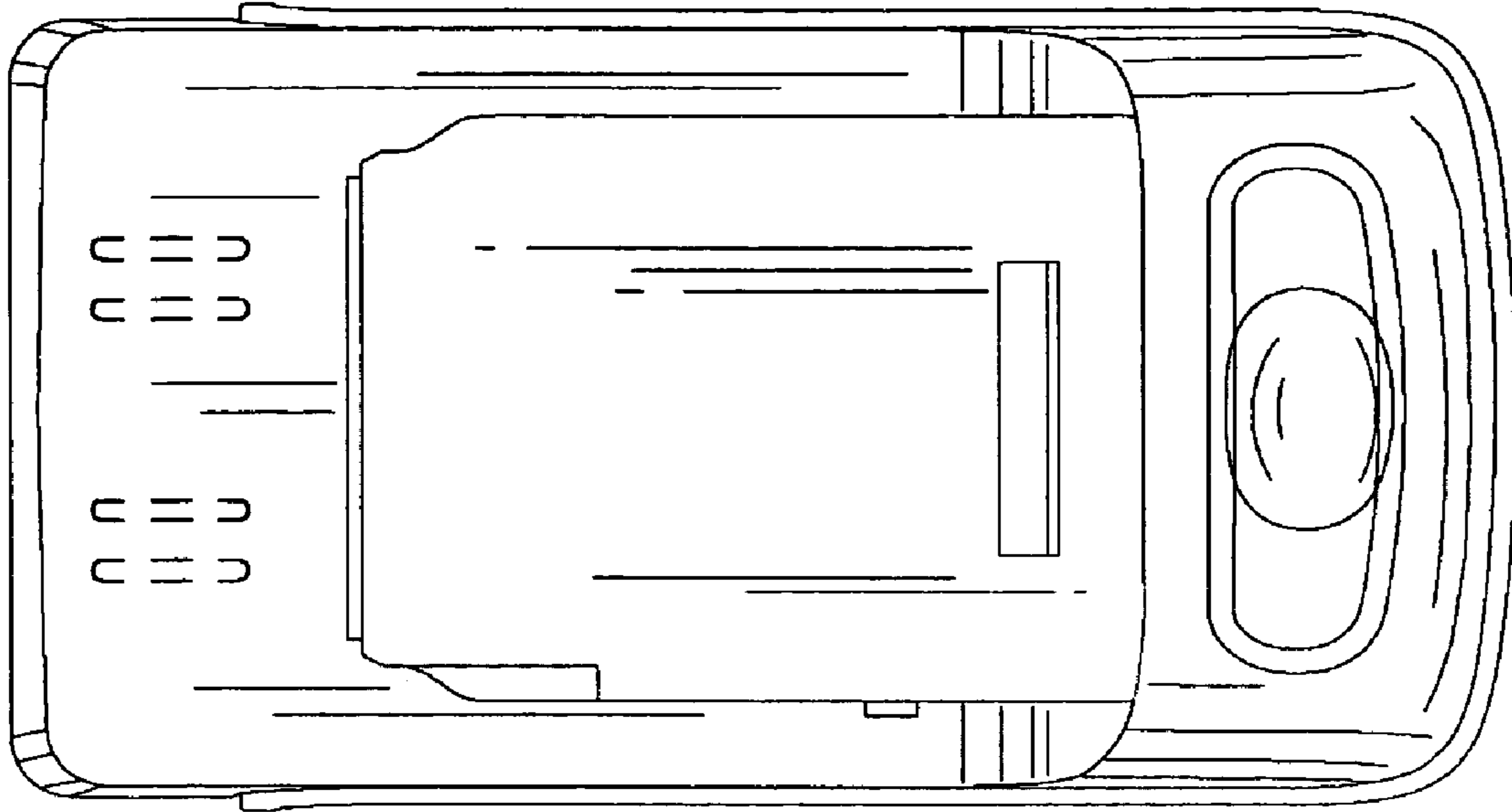


FIG. 27

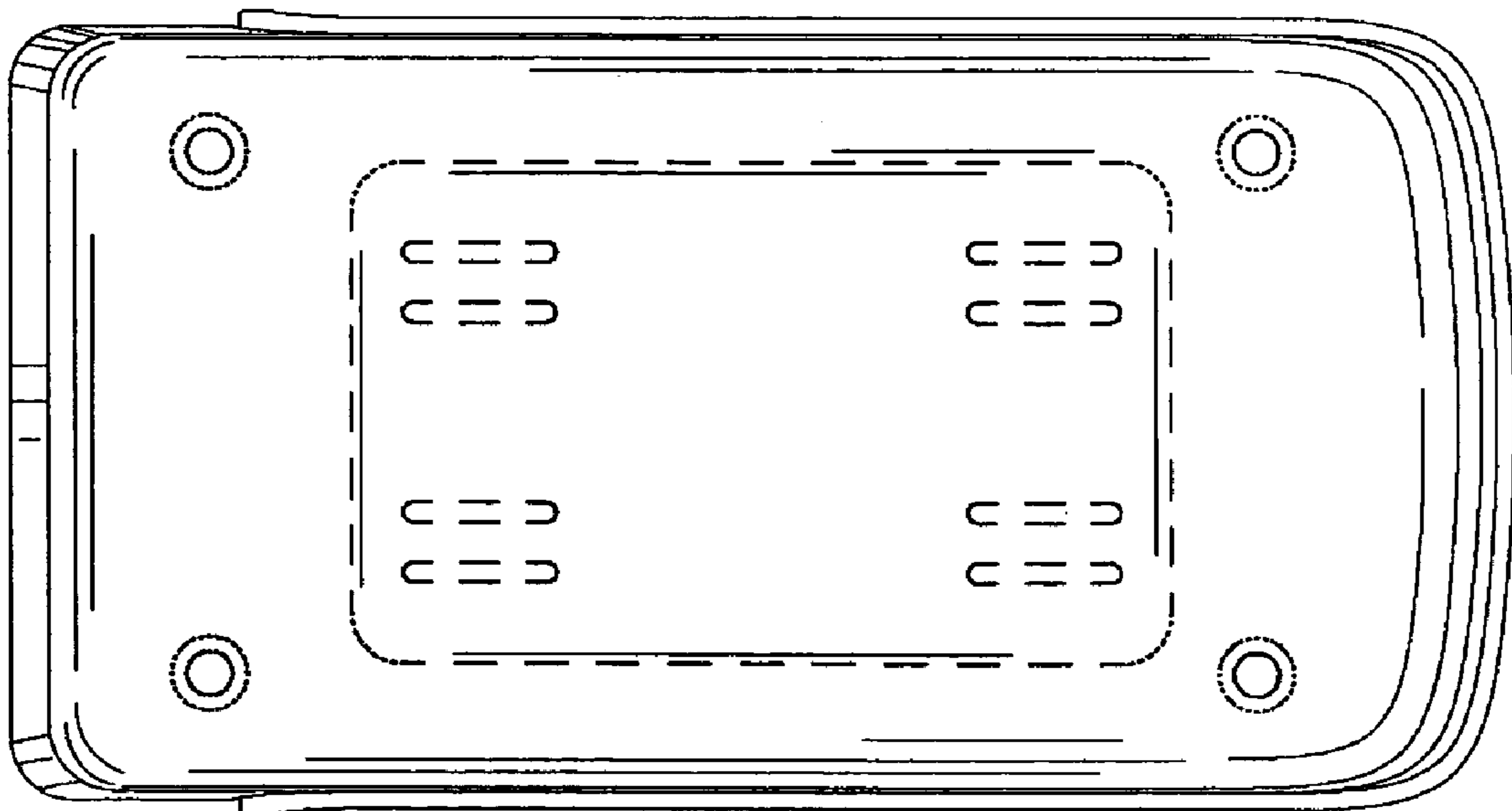


FIG. 28

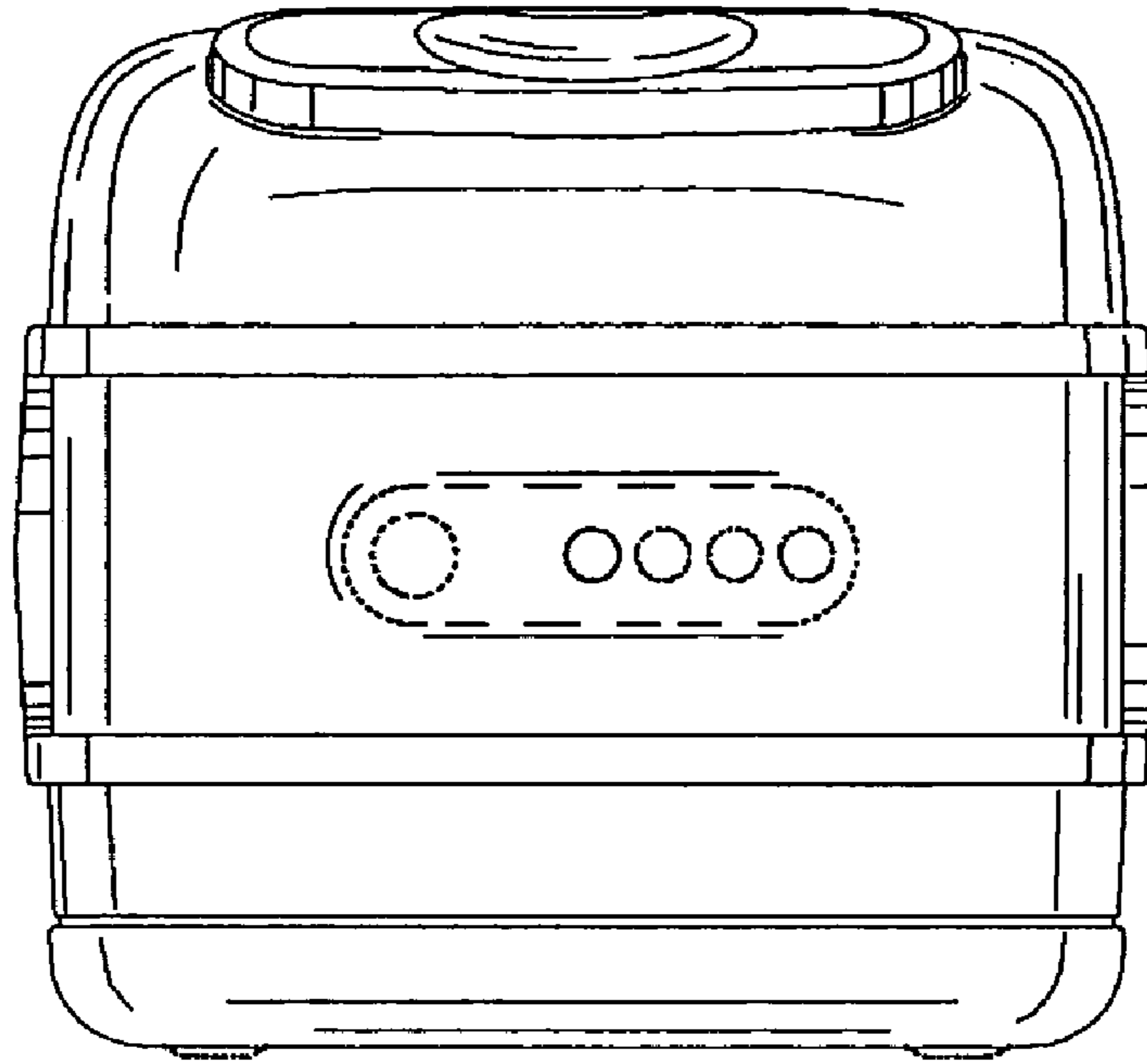


FIG. 29

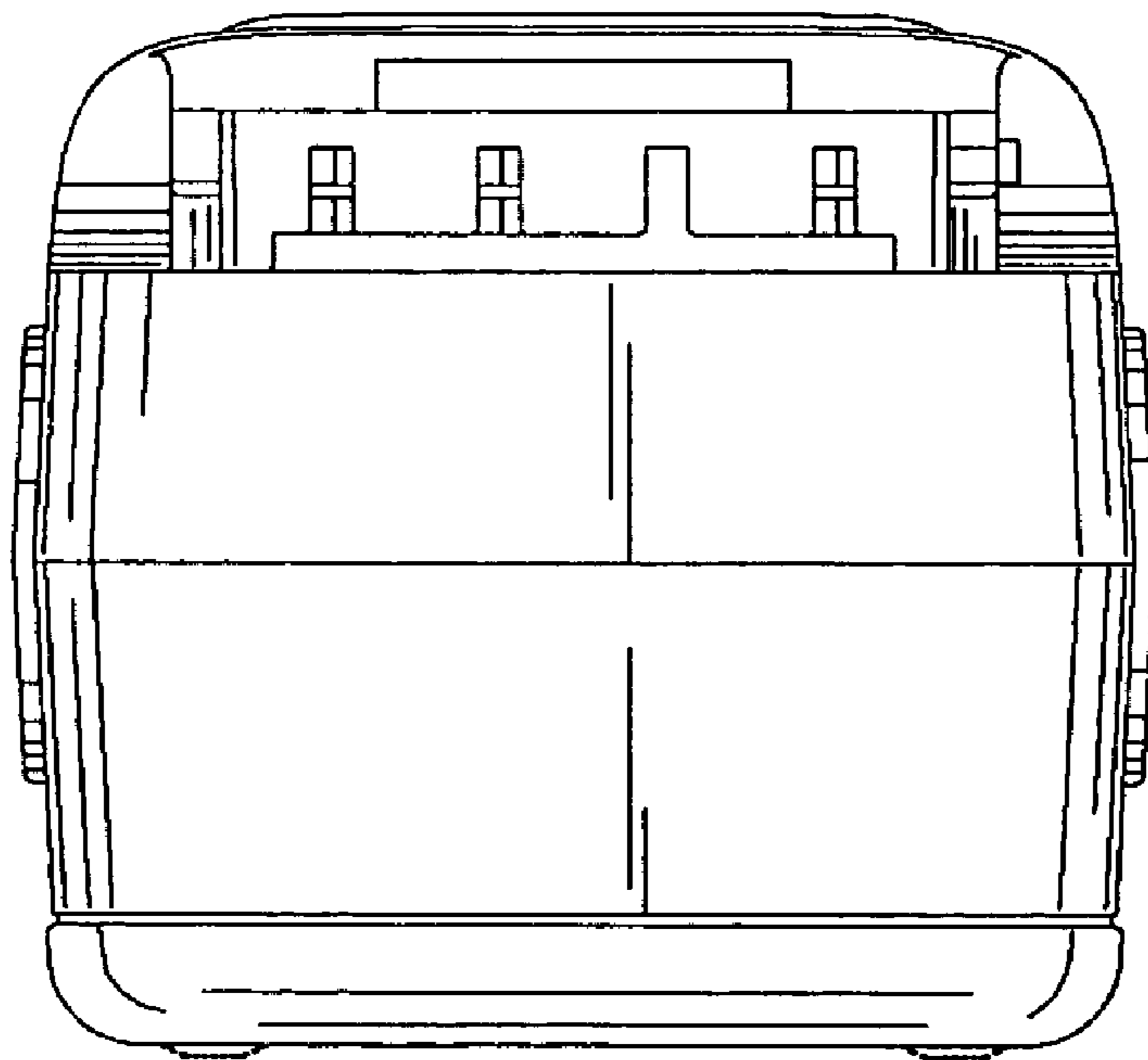


FIG. 30

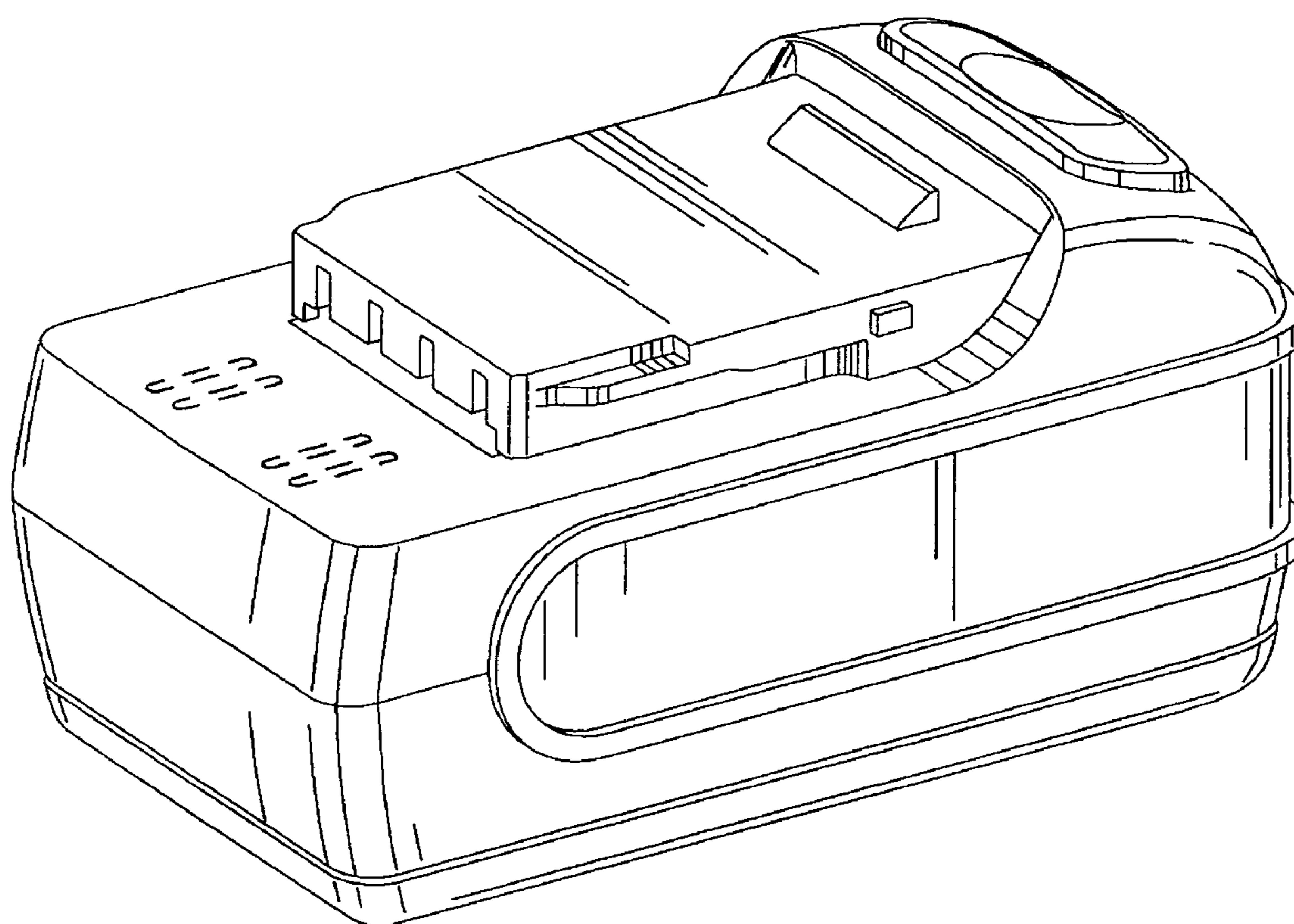


FIG. 31

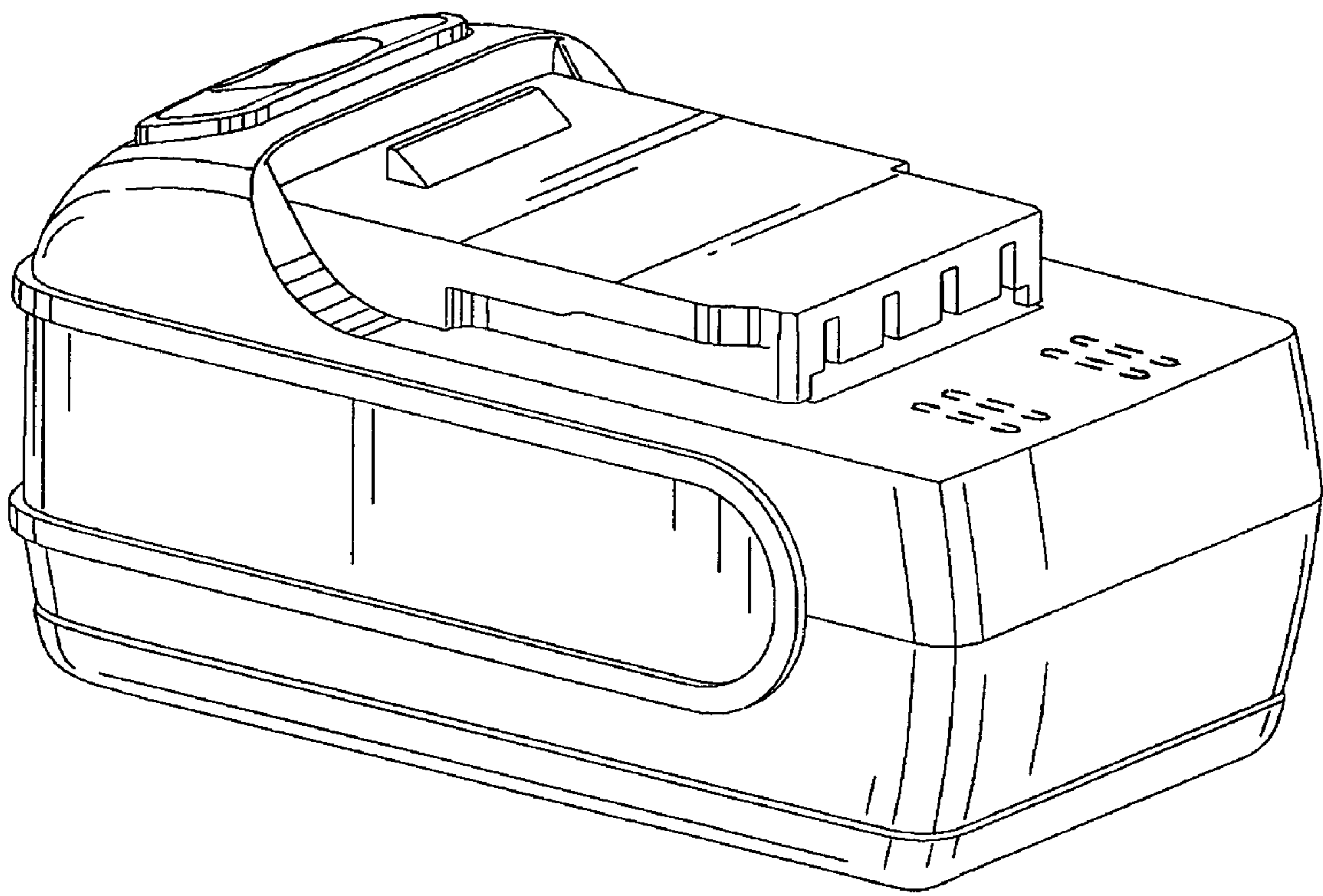


FIG. 32

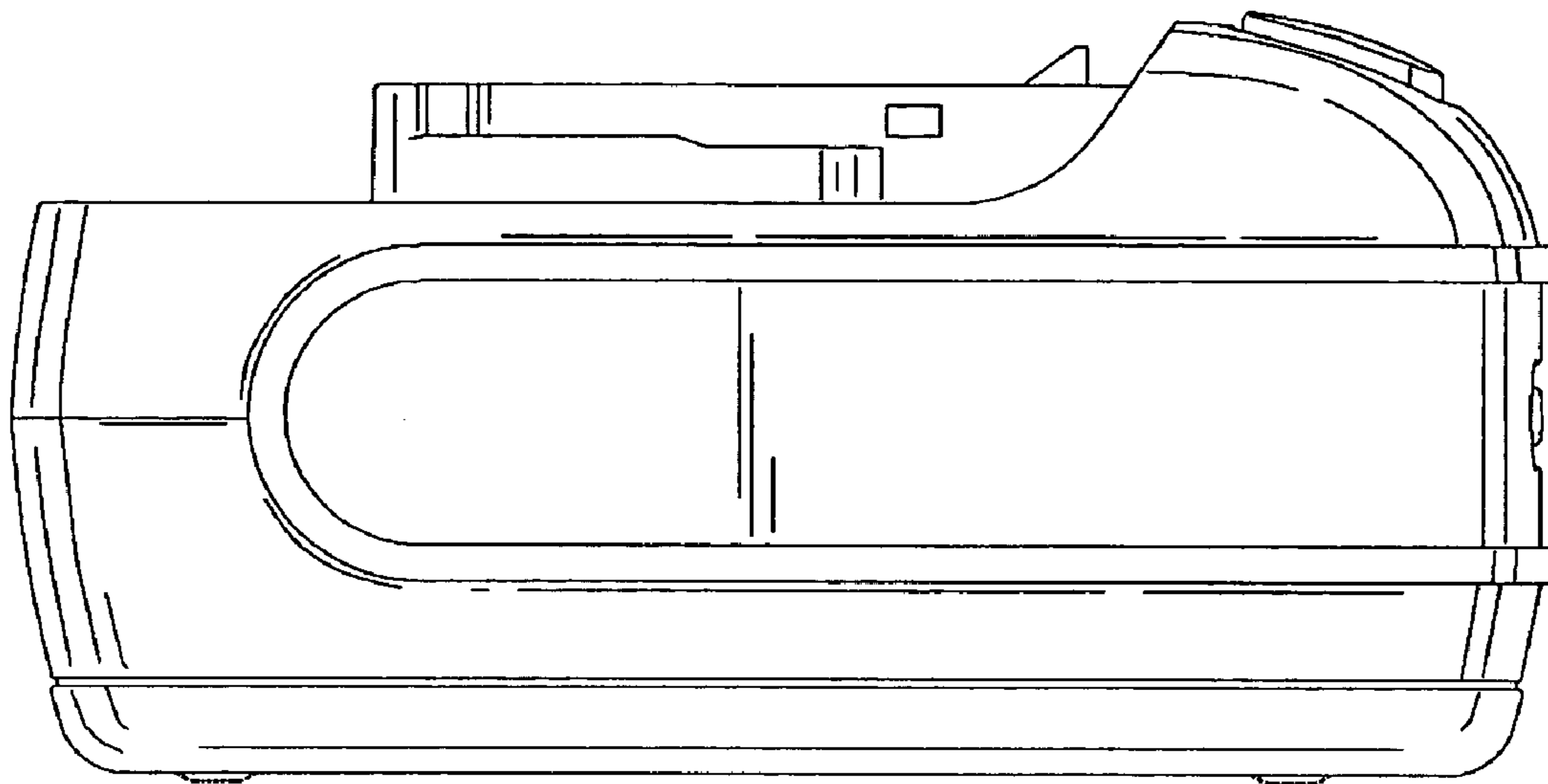


FIG. 33

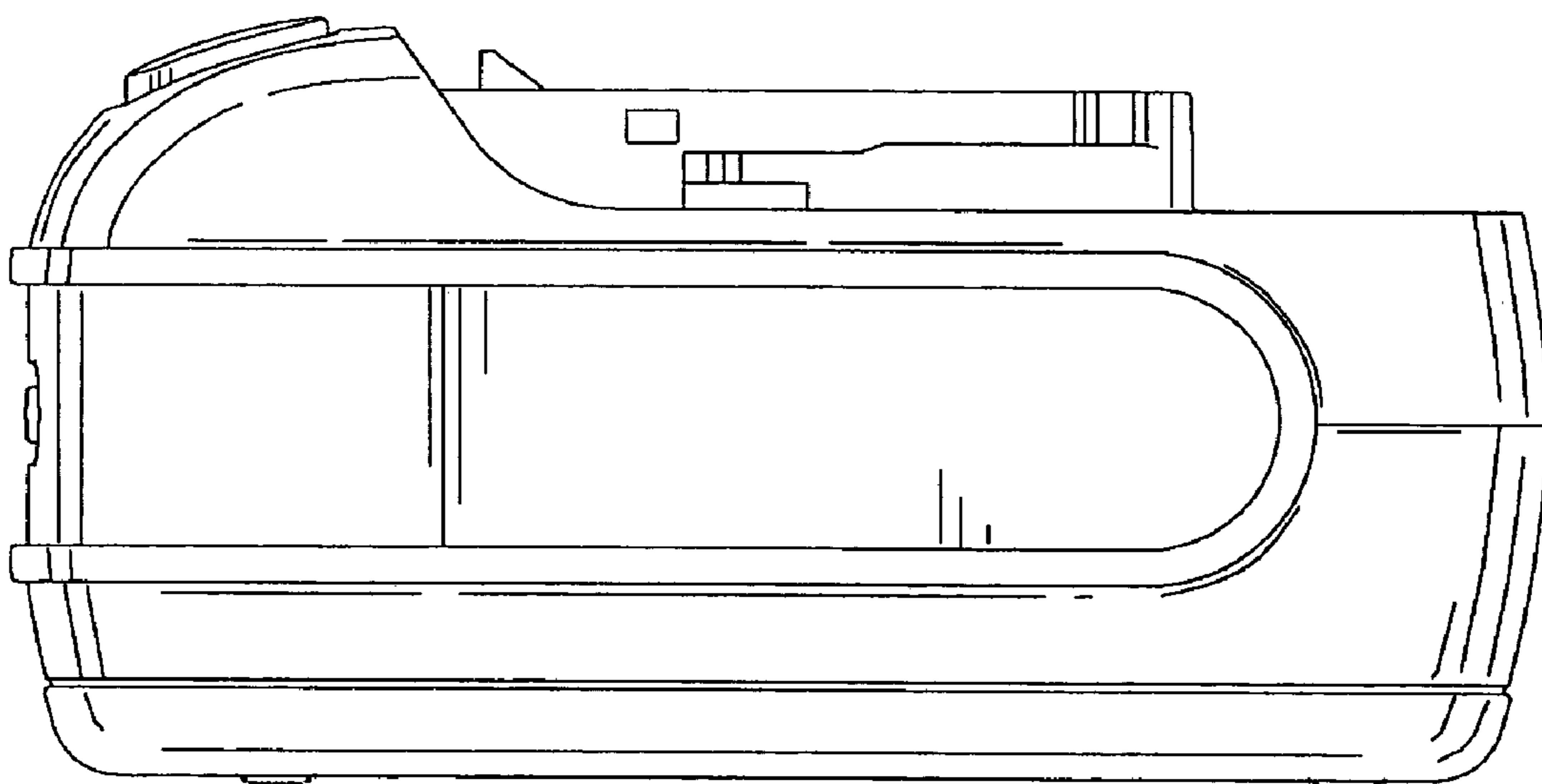


FIG. 34

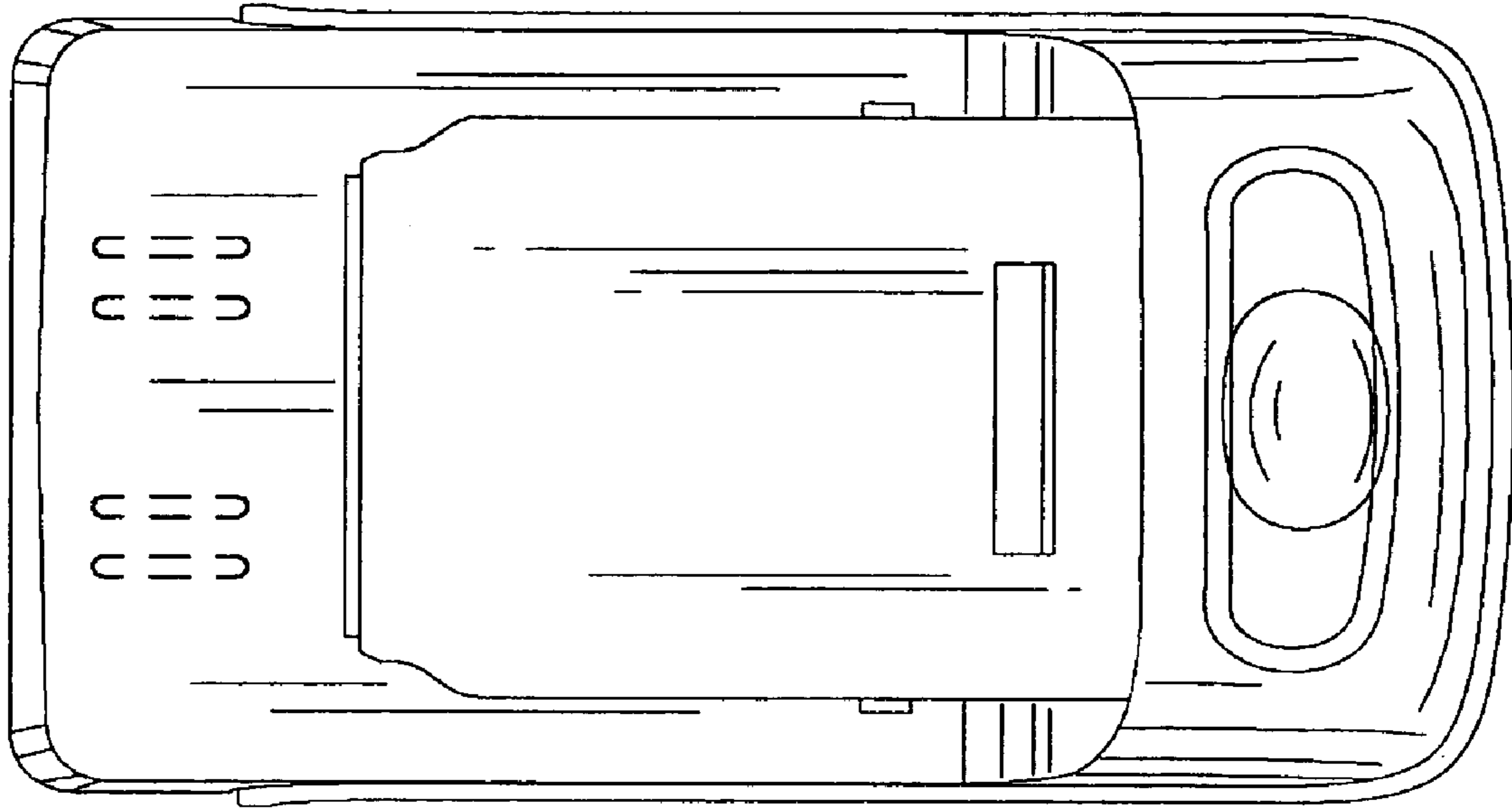


FIG. 35

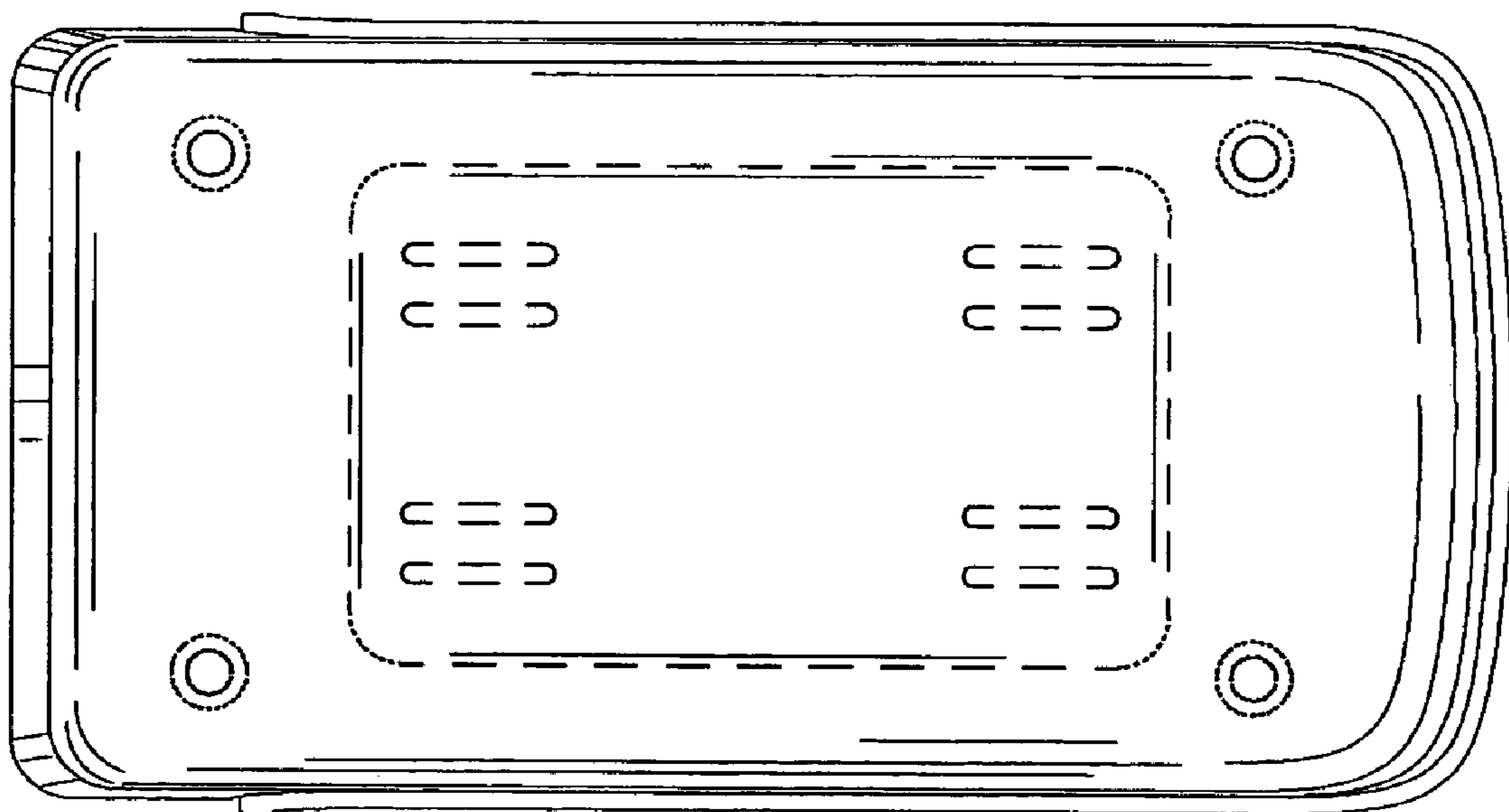


FIG. 36

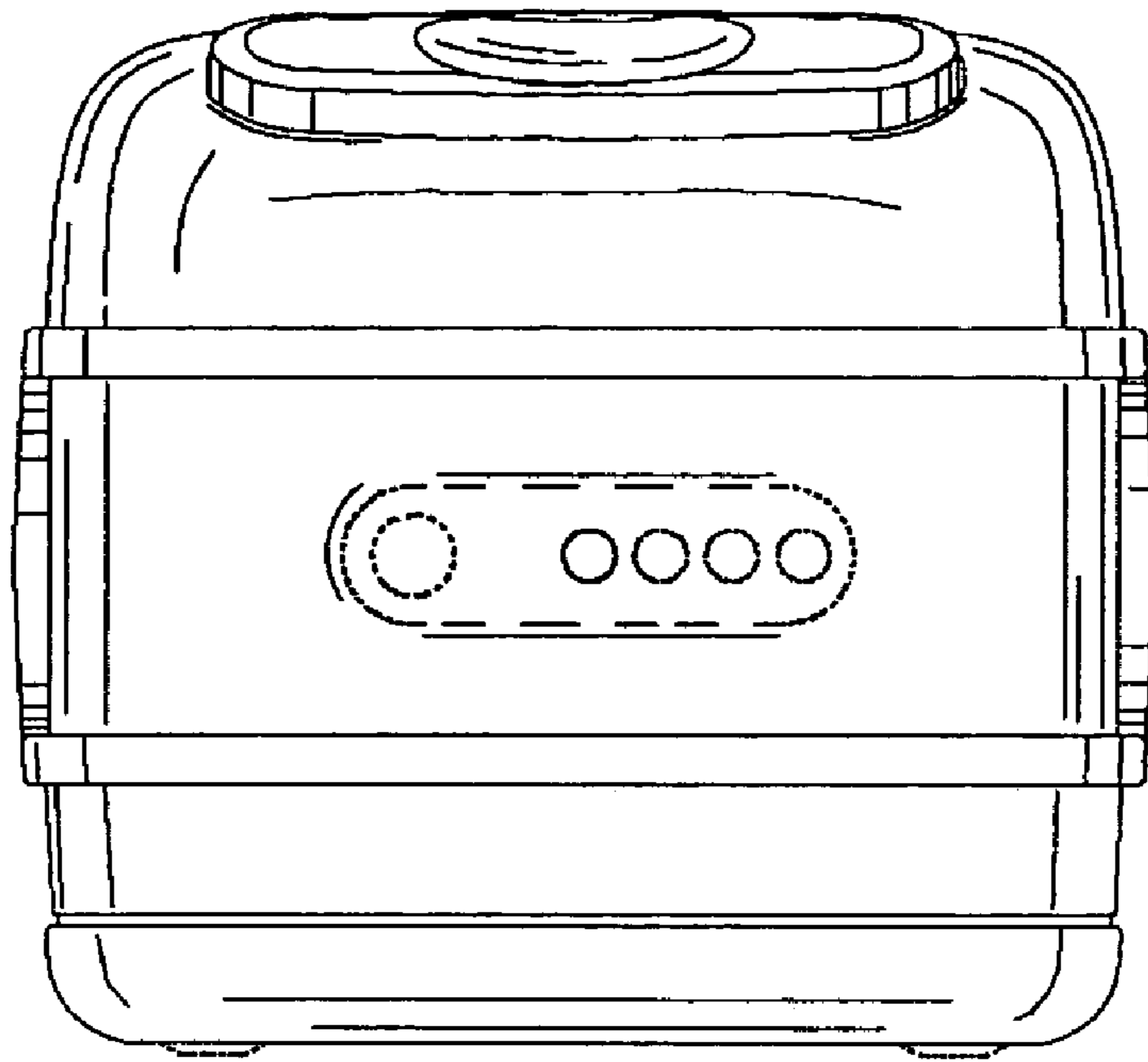


FIG. 37

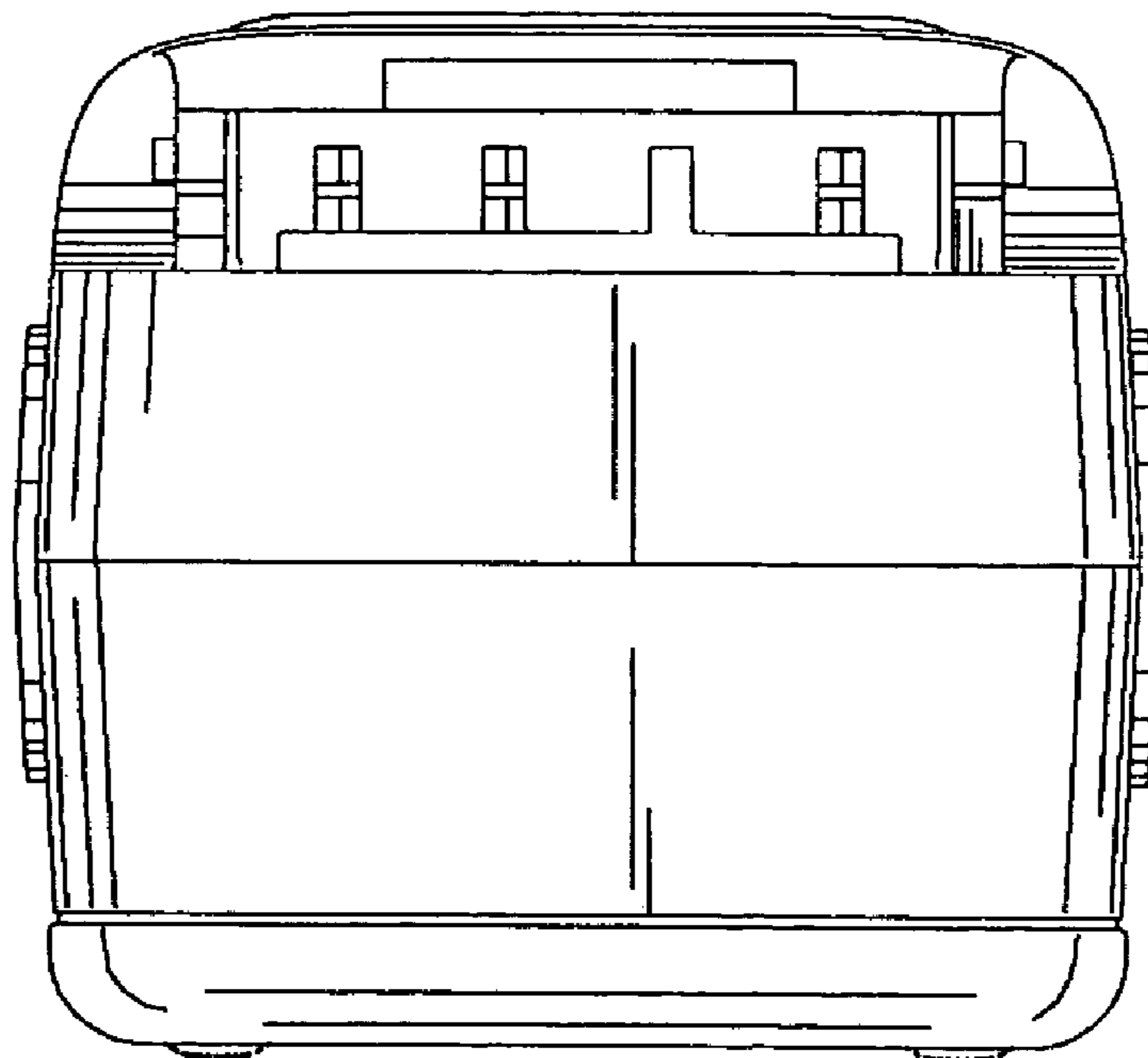


FIG. 38

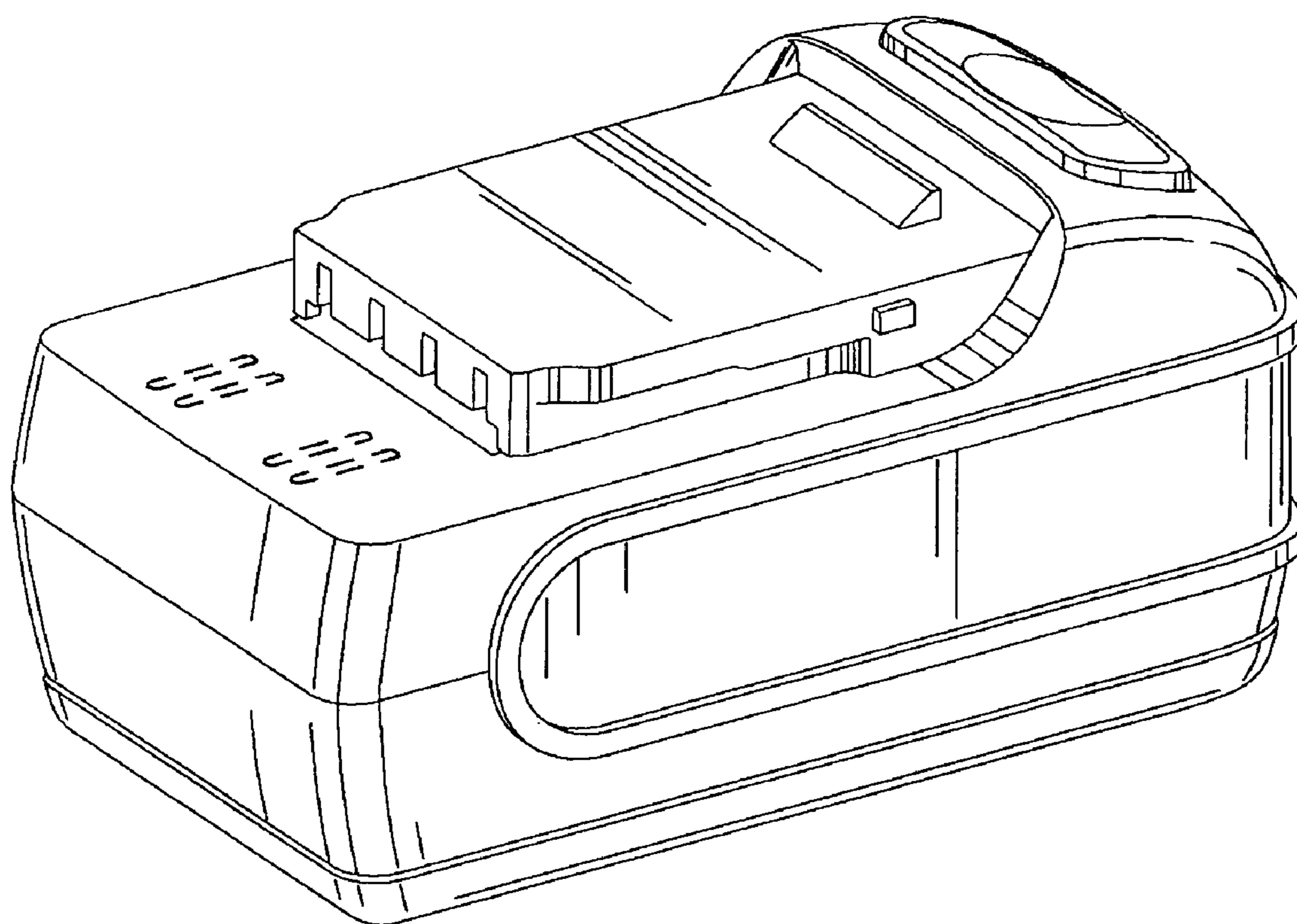


FIG. 39

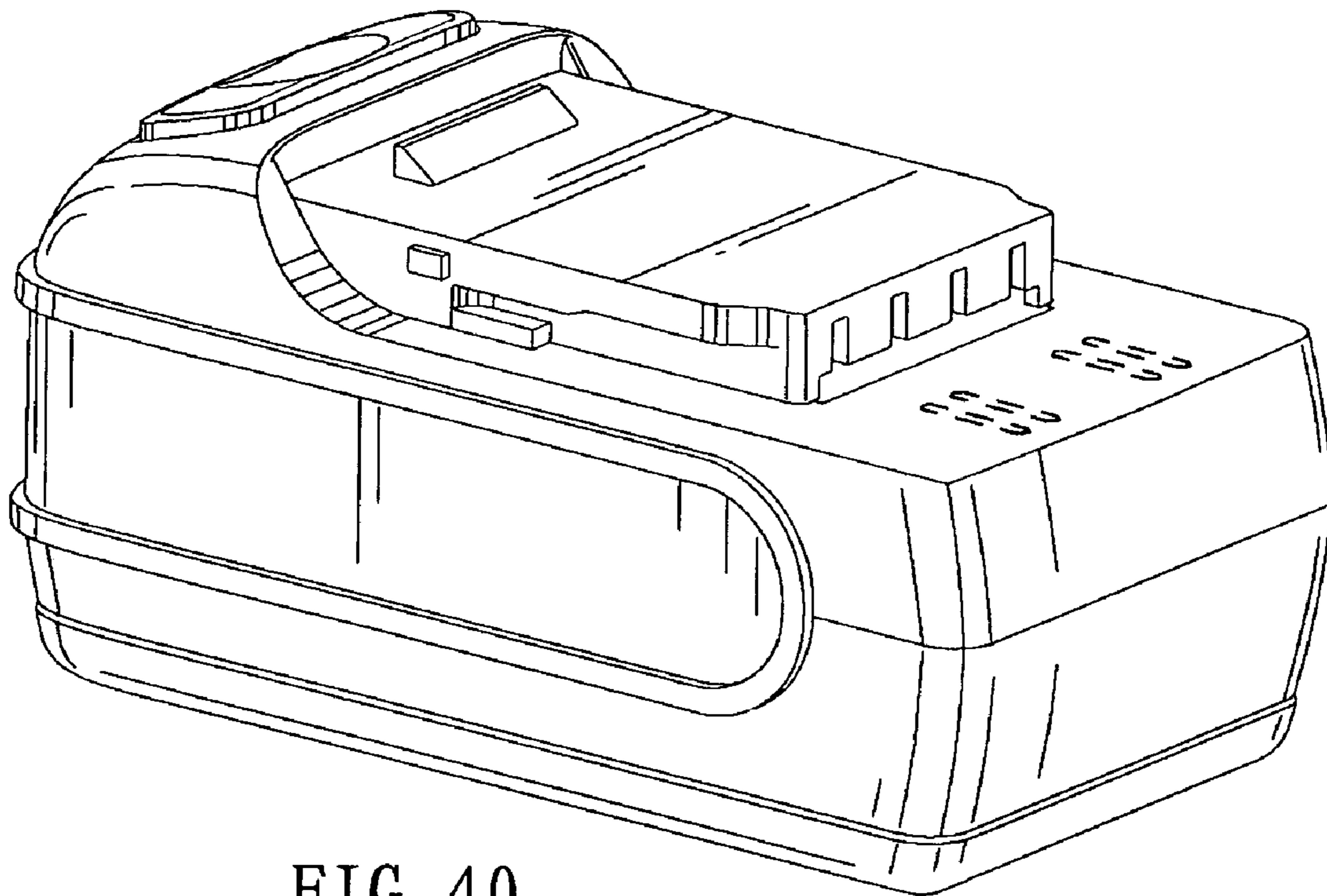


FIG. 40

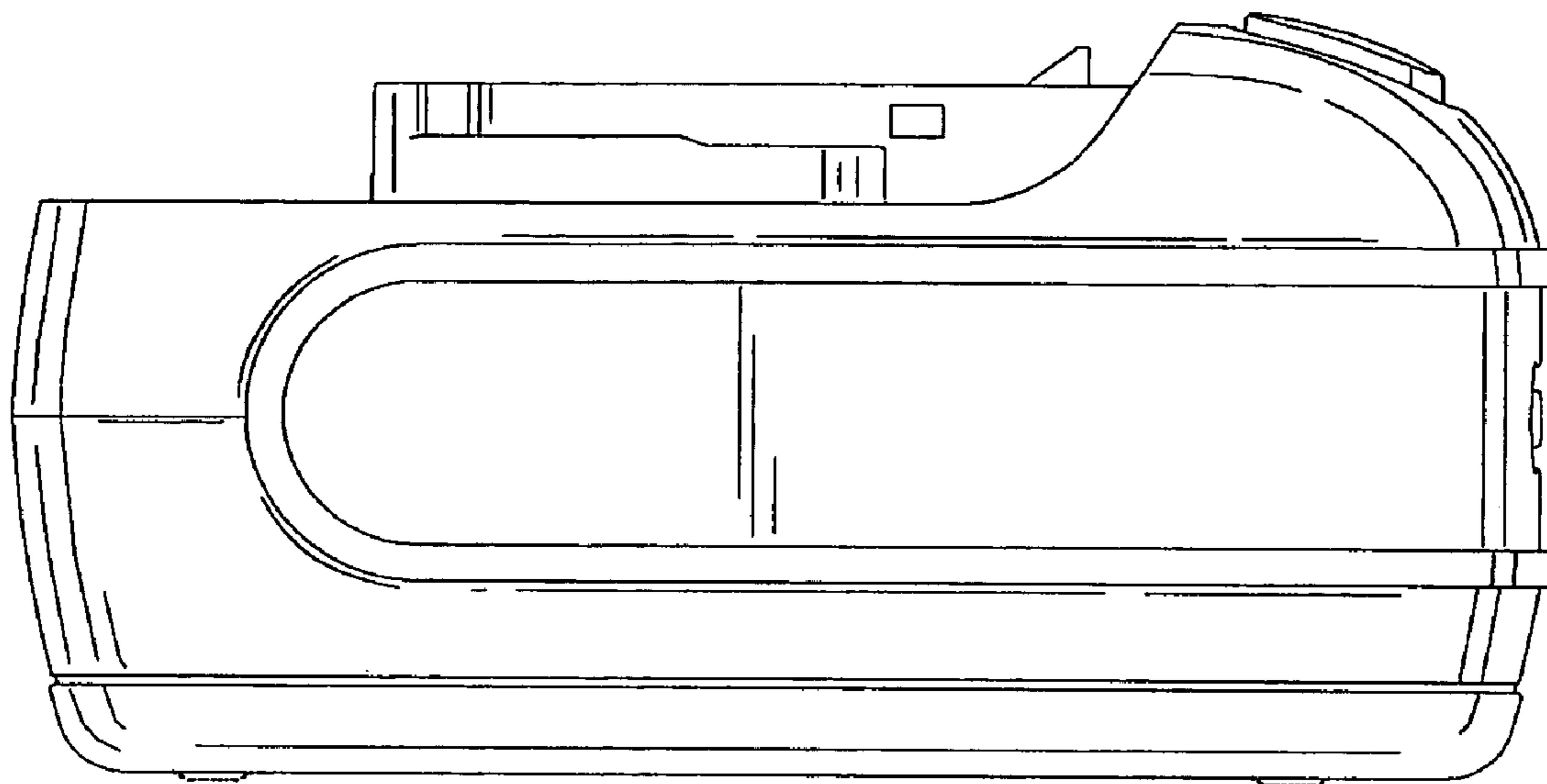


FIG. 41

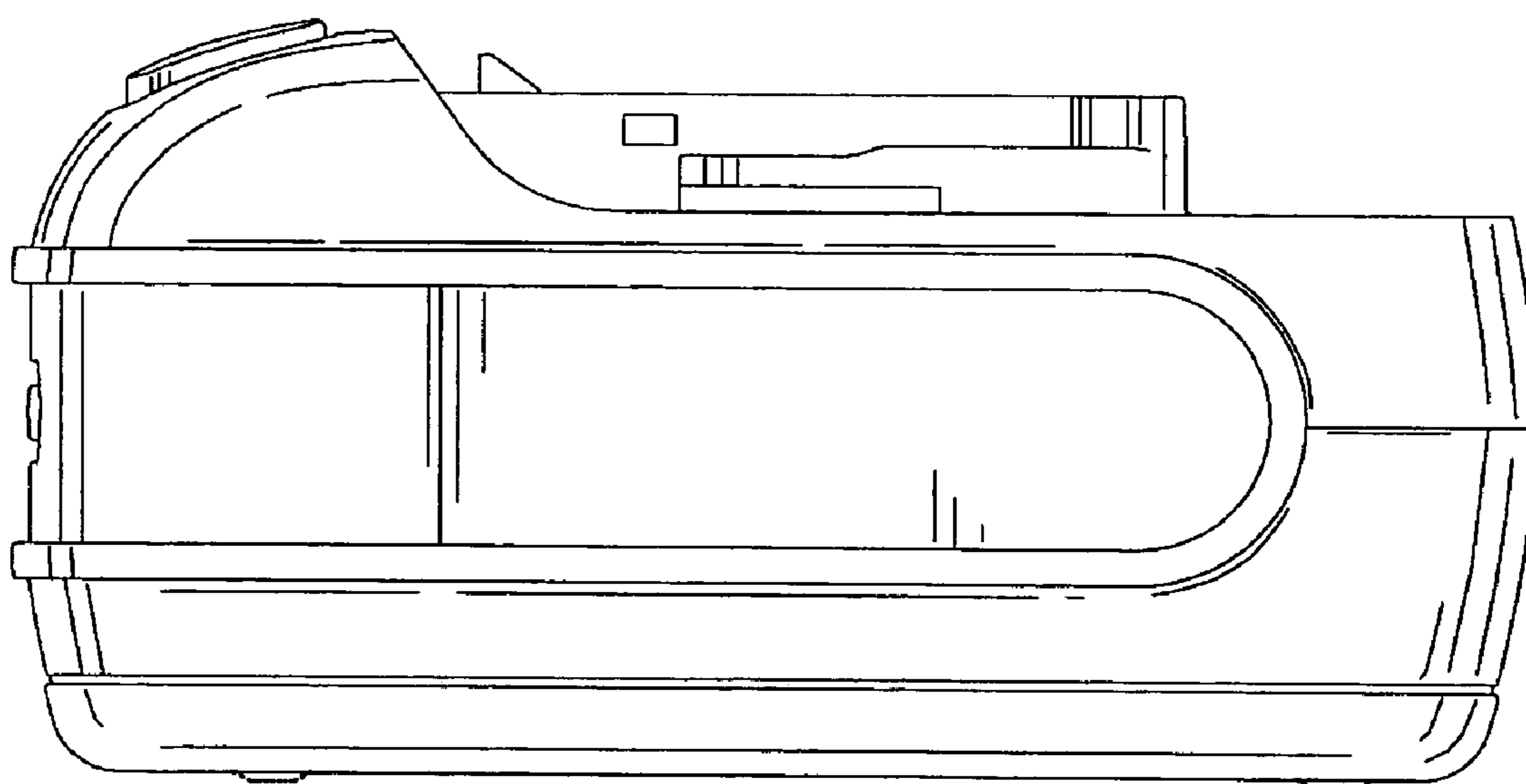


FIG. 42

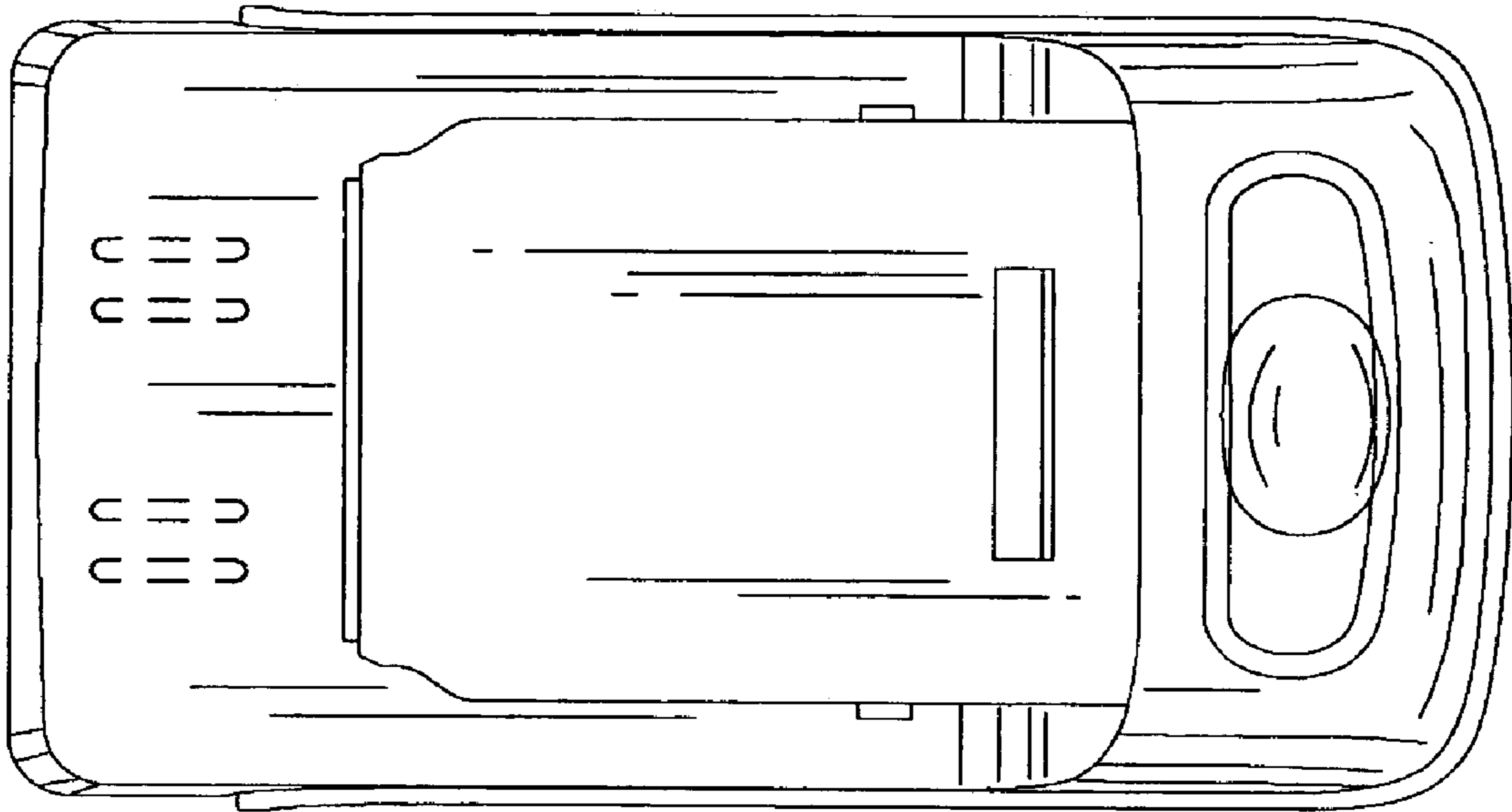


FIG. 43

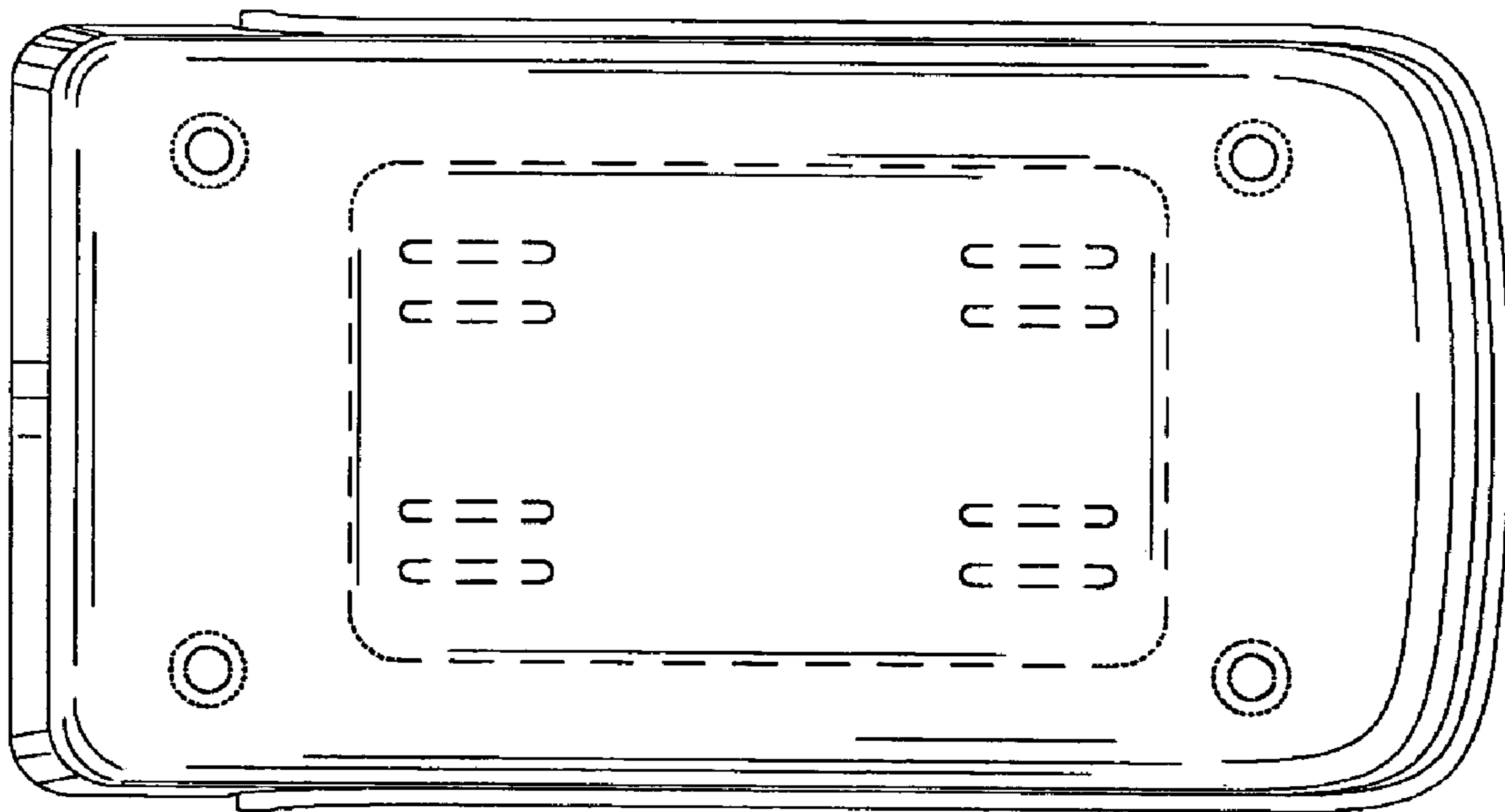


FIG. 44

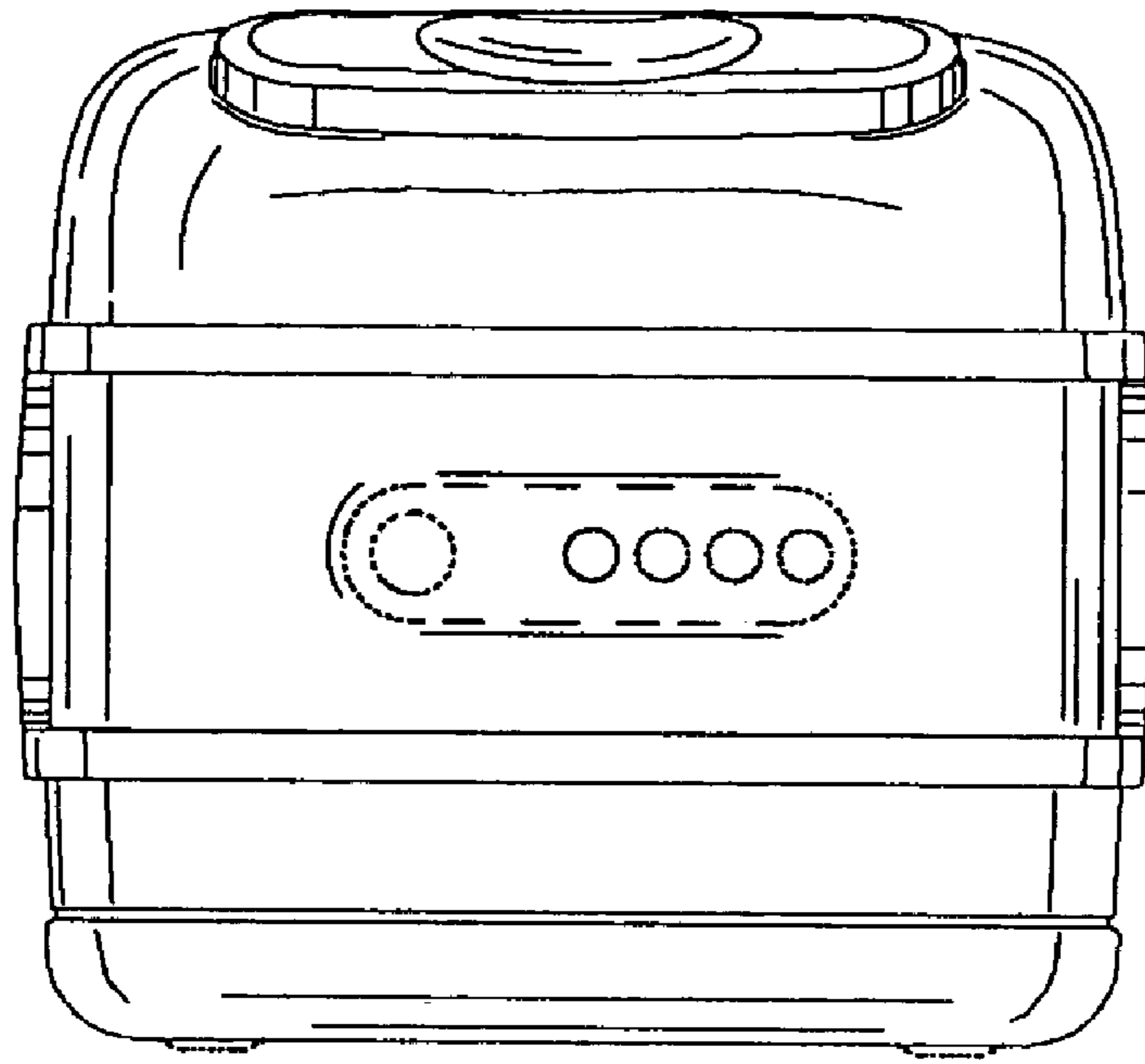


FIG. 45

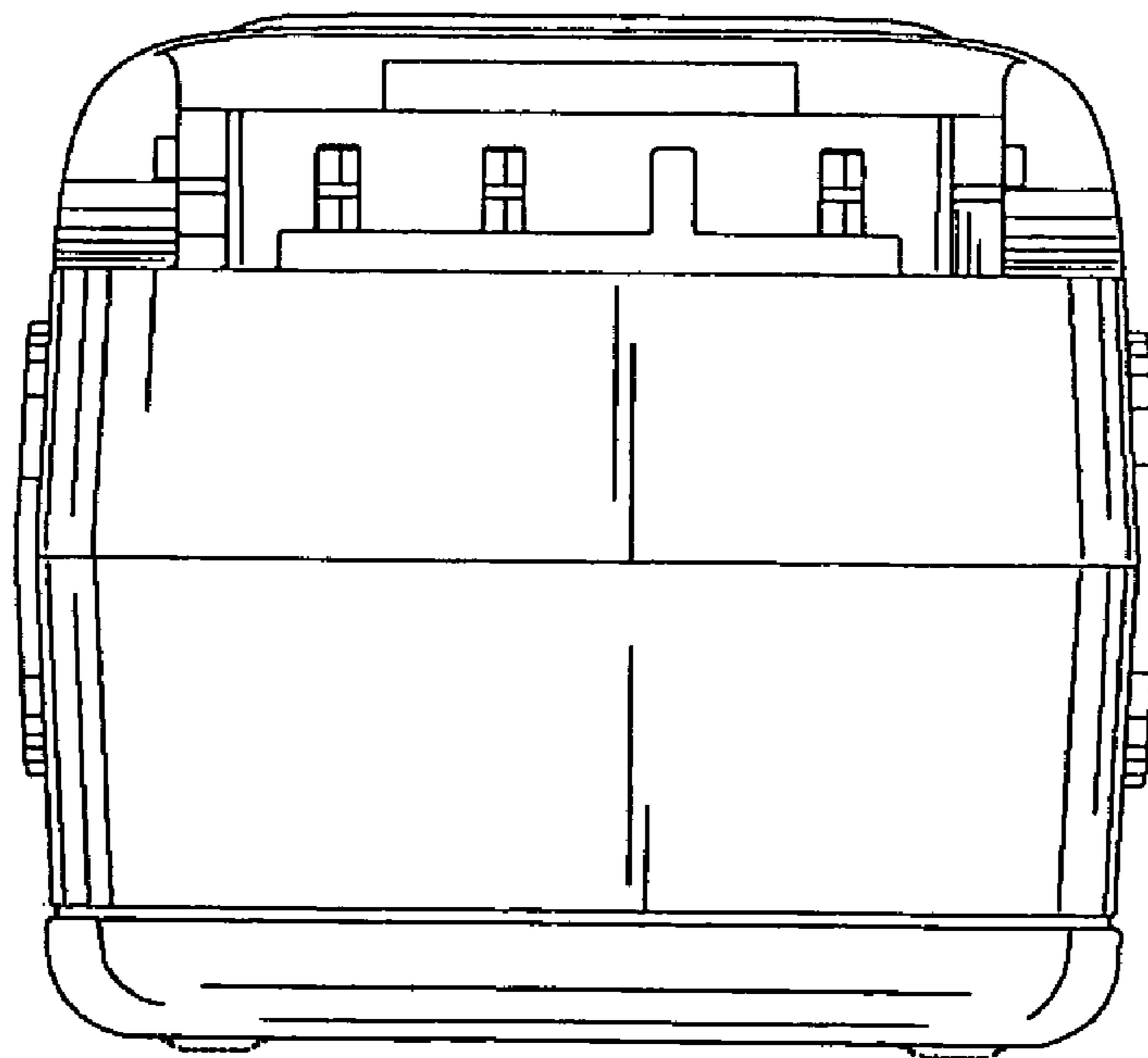


FIG. 46

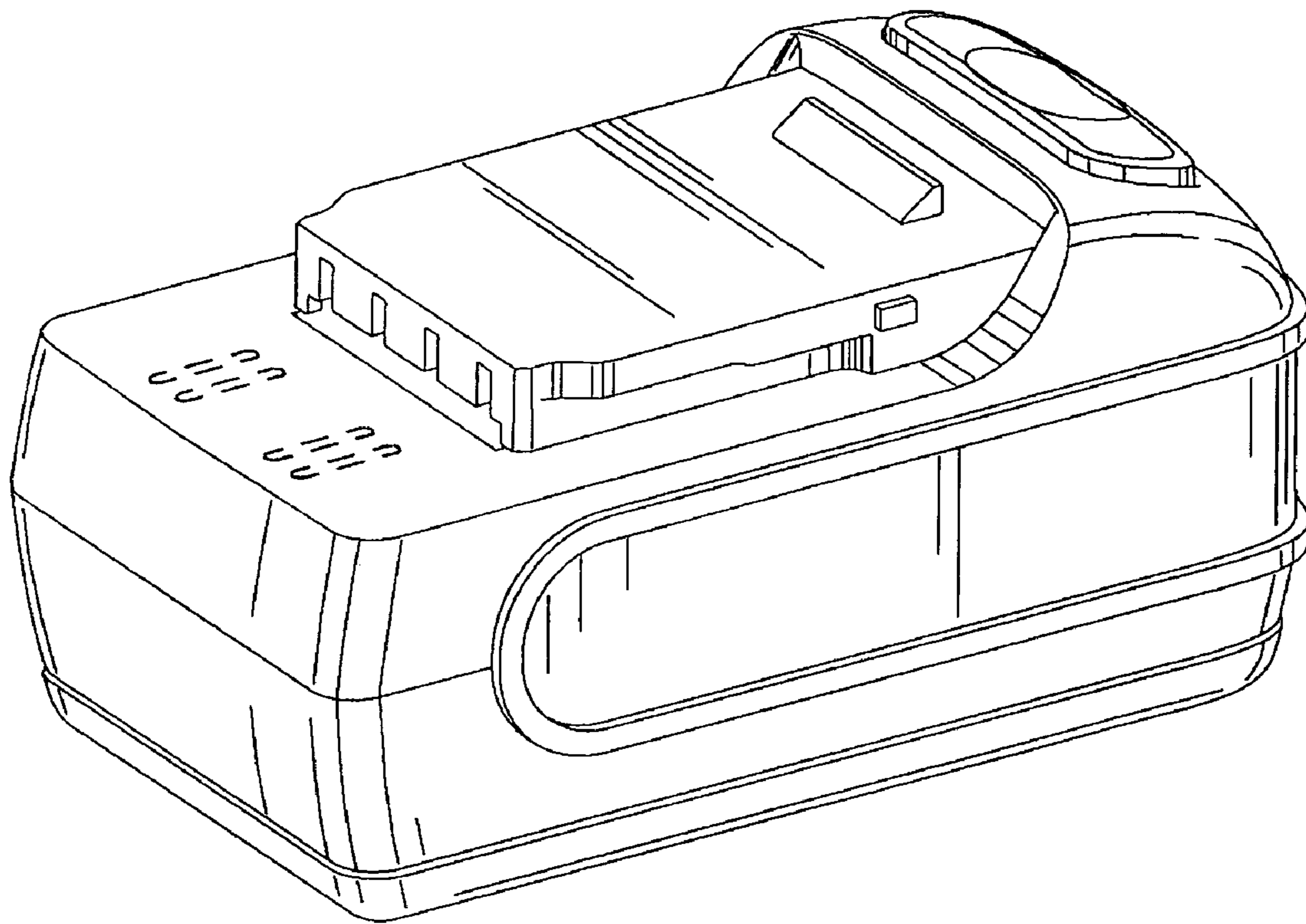


FIG. 47

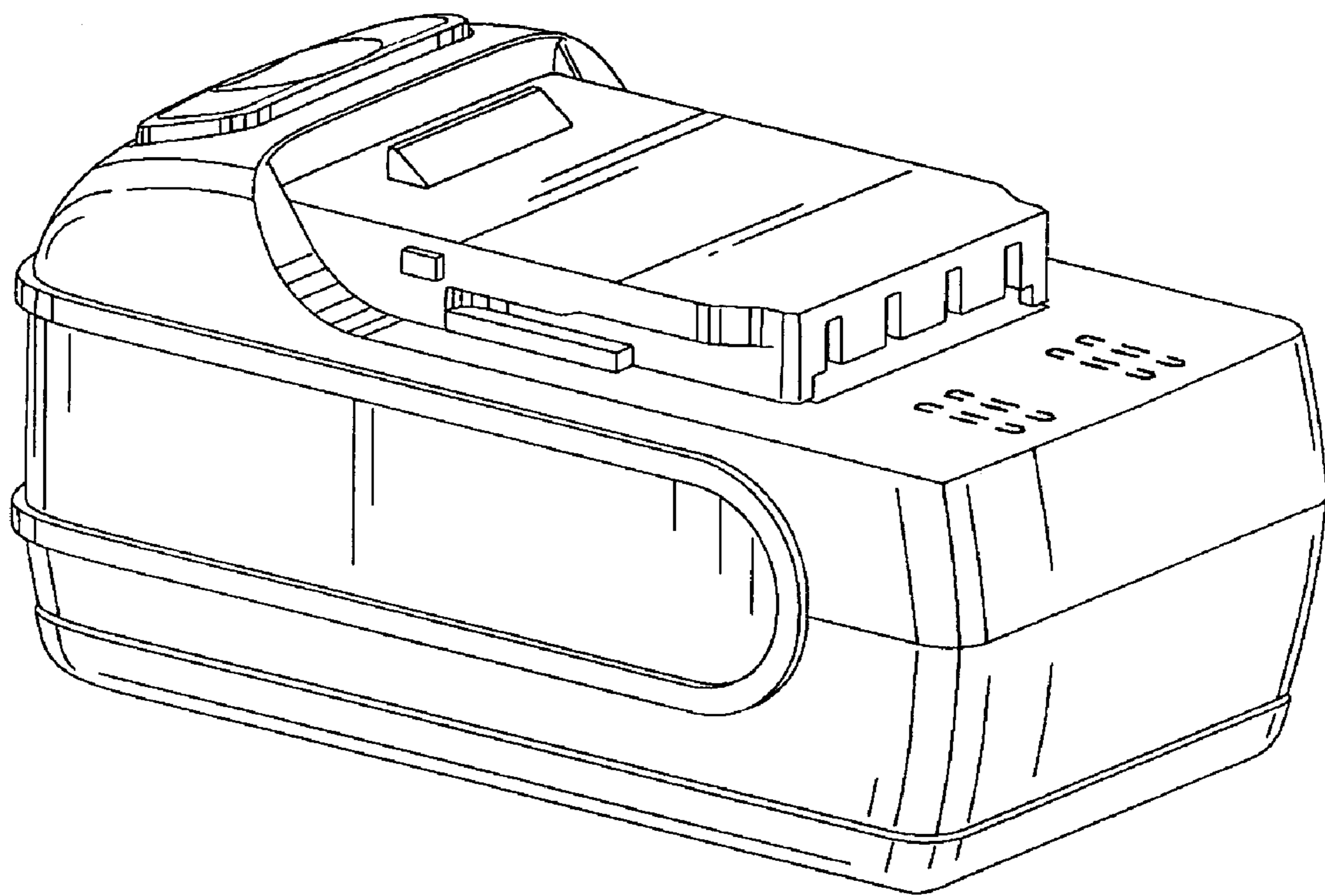


FIG. 48

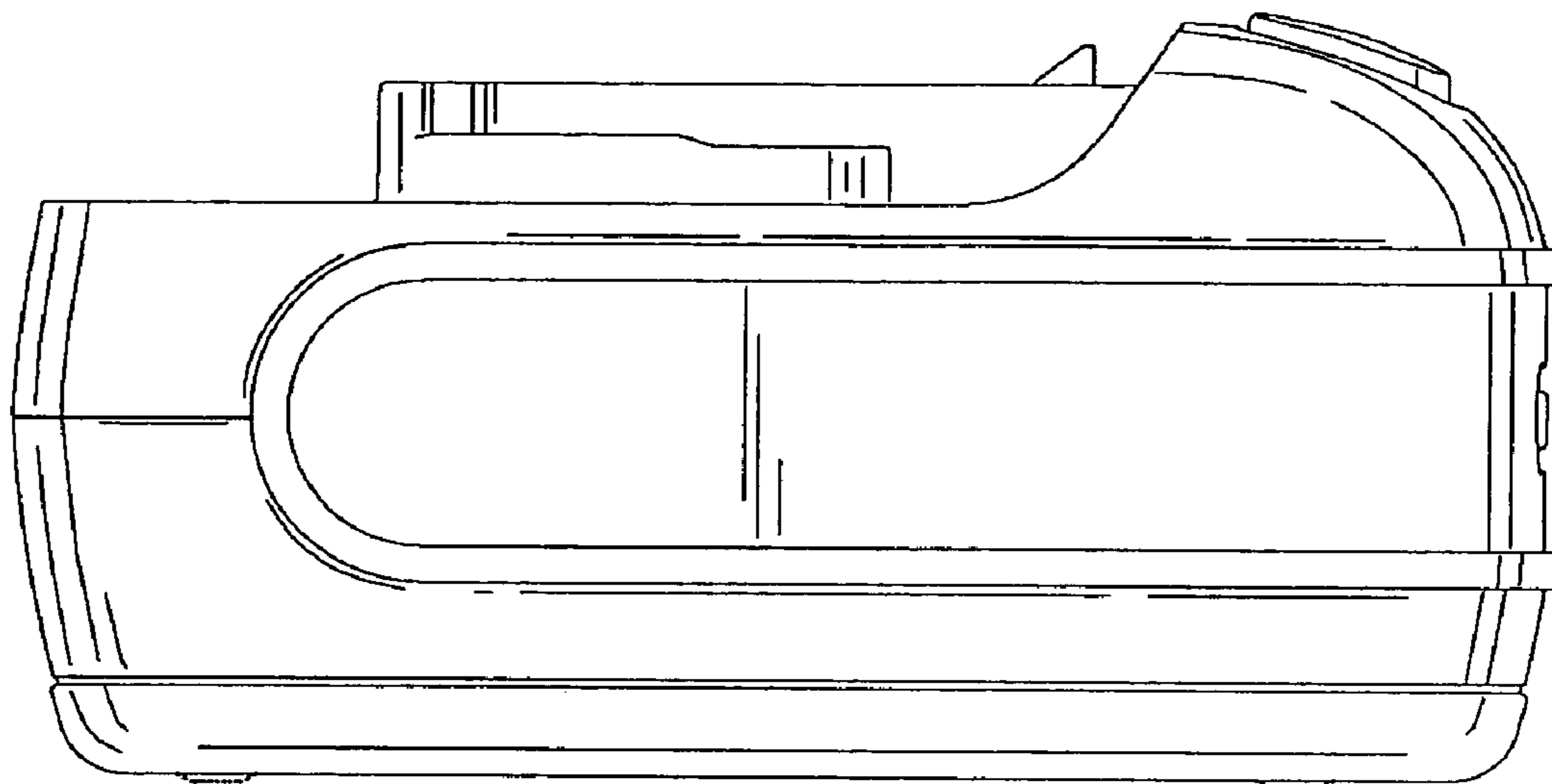


FIG. 49

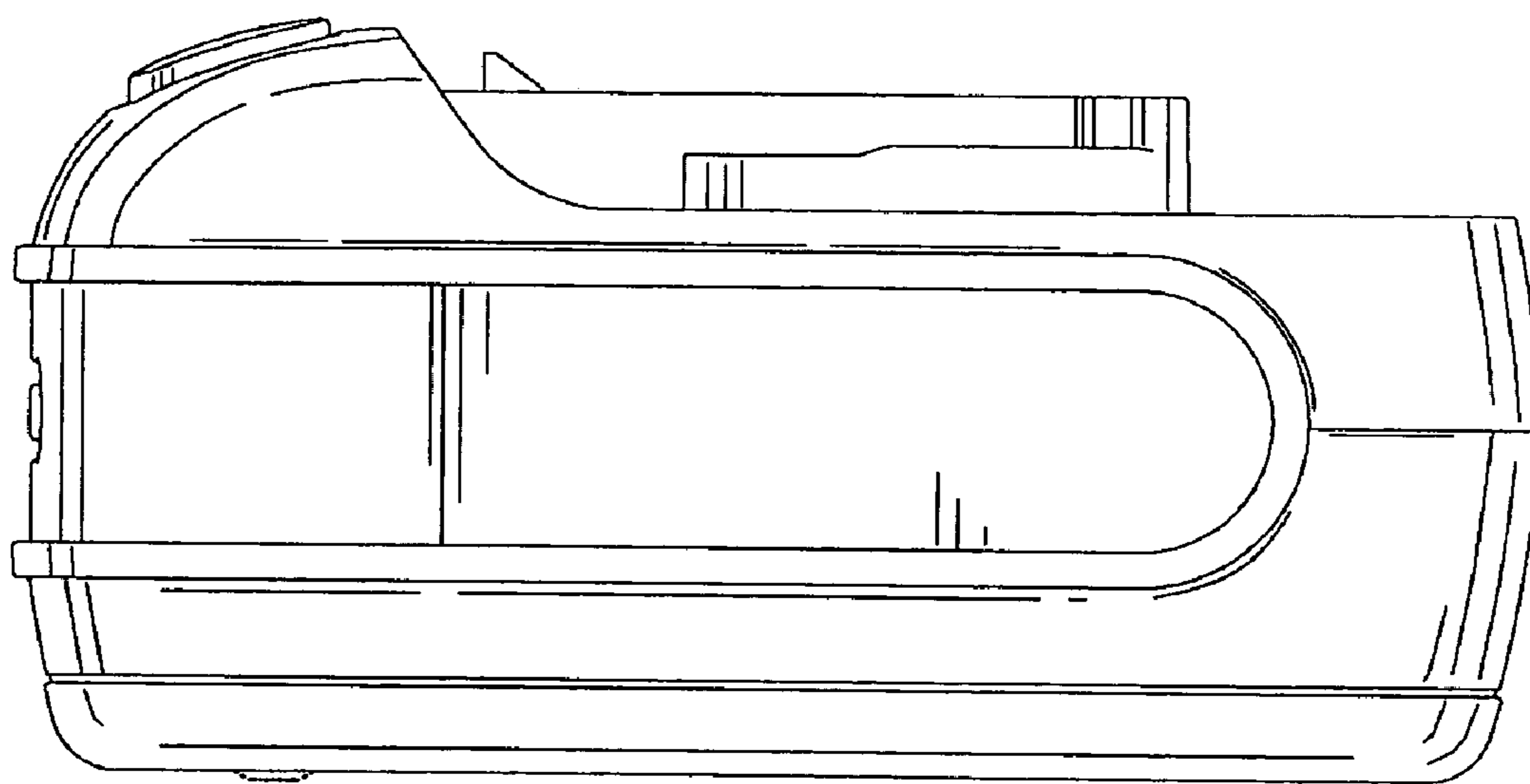


FIG. 50

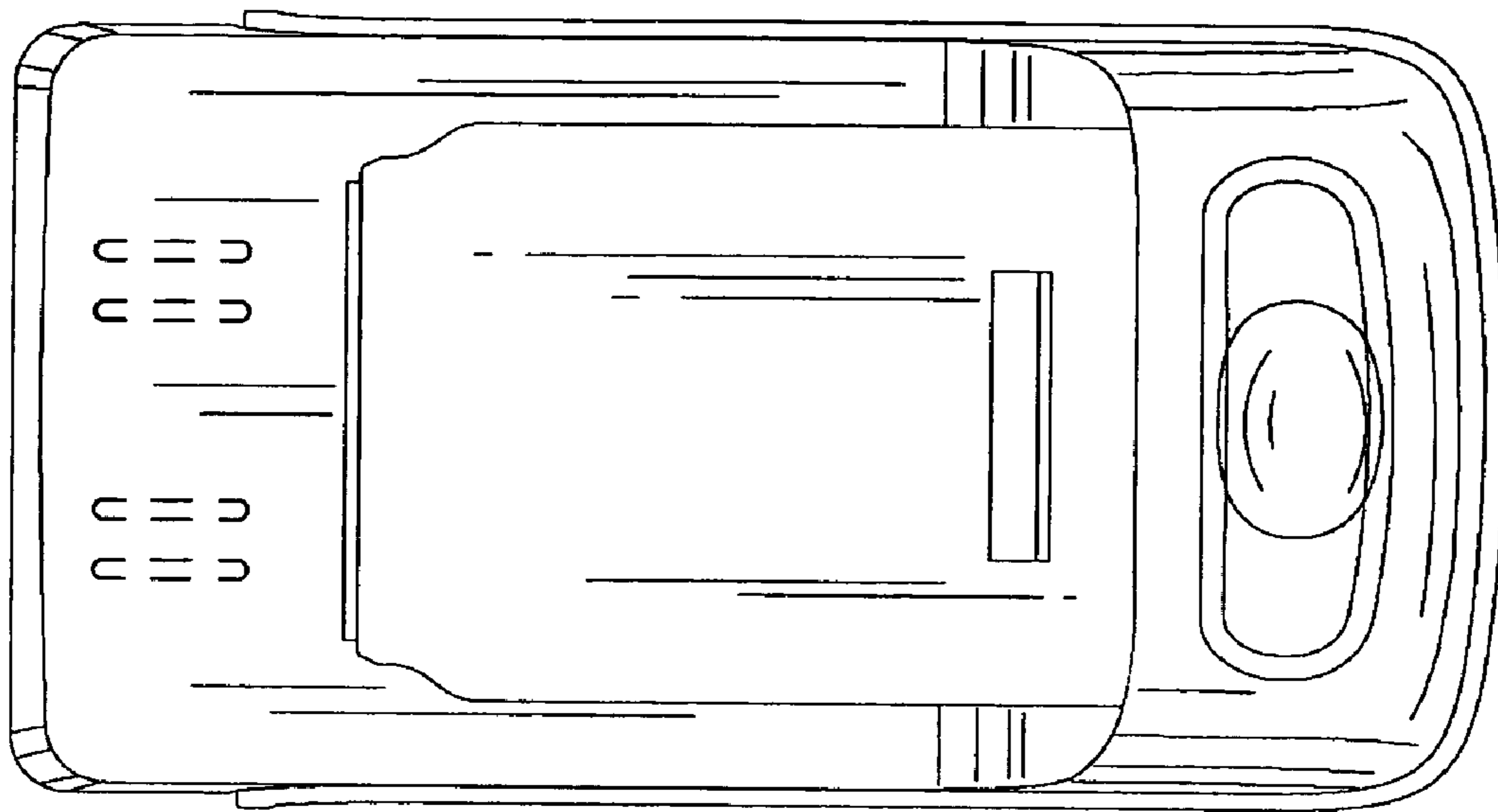


FIG. 51

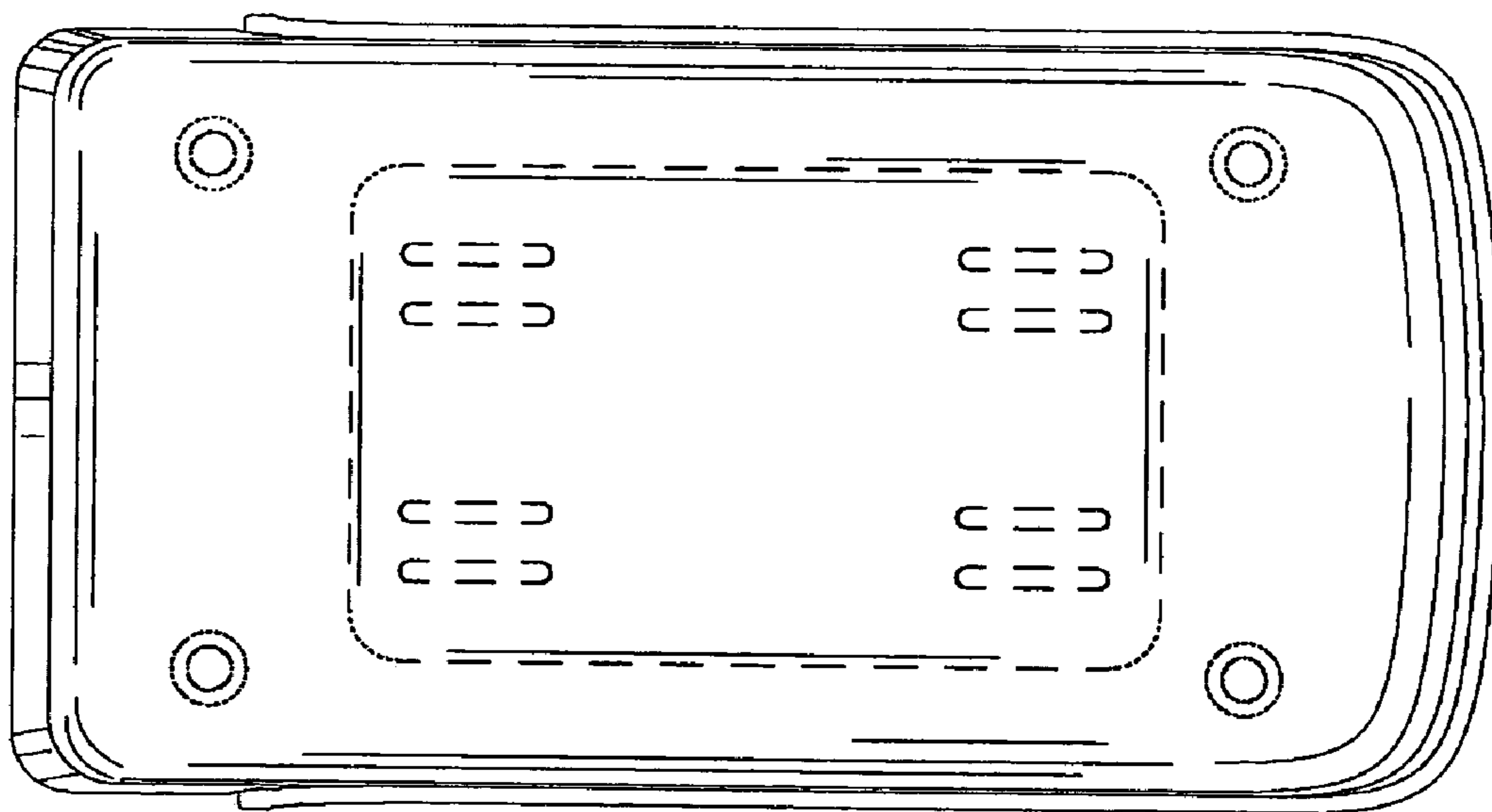


FIG. 52

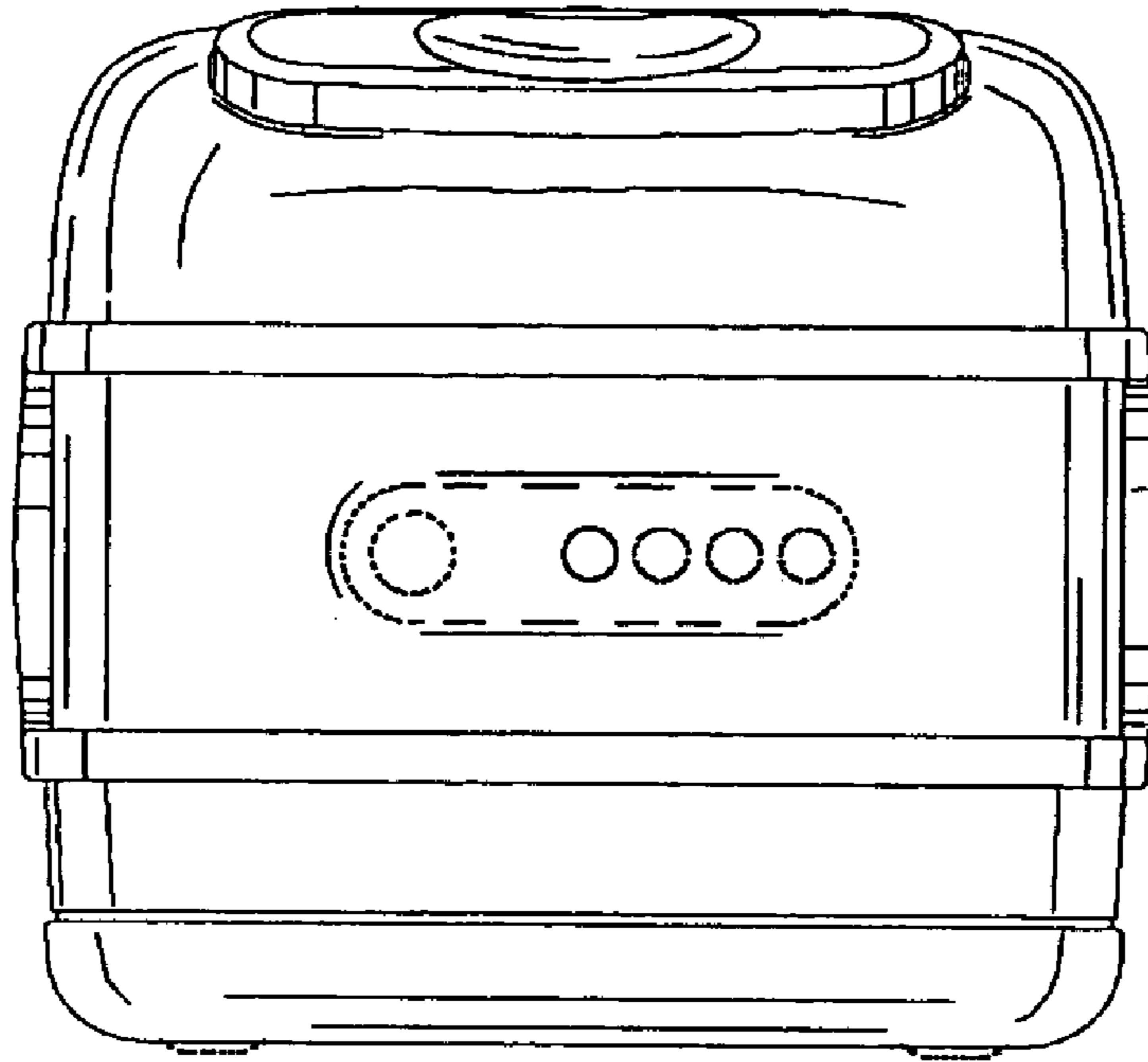


FIG. 53

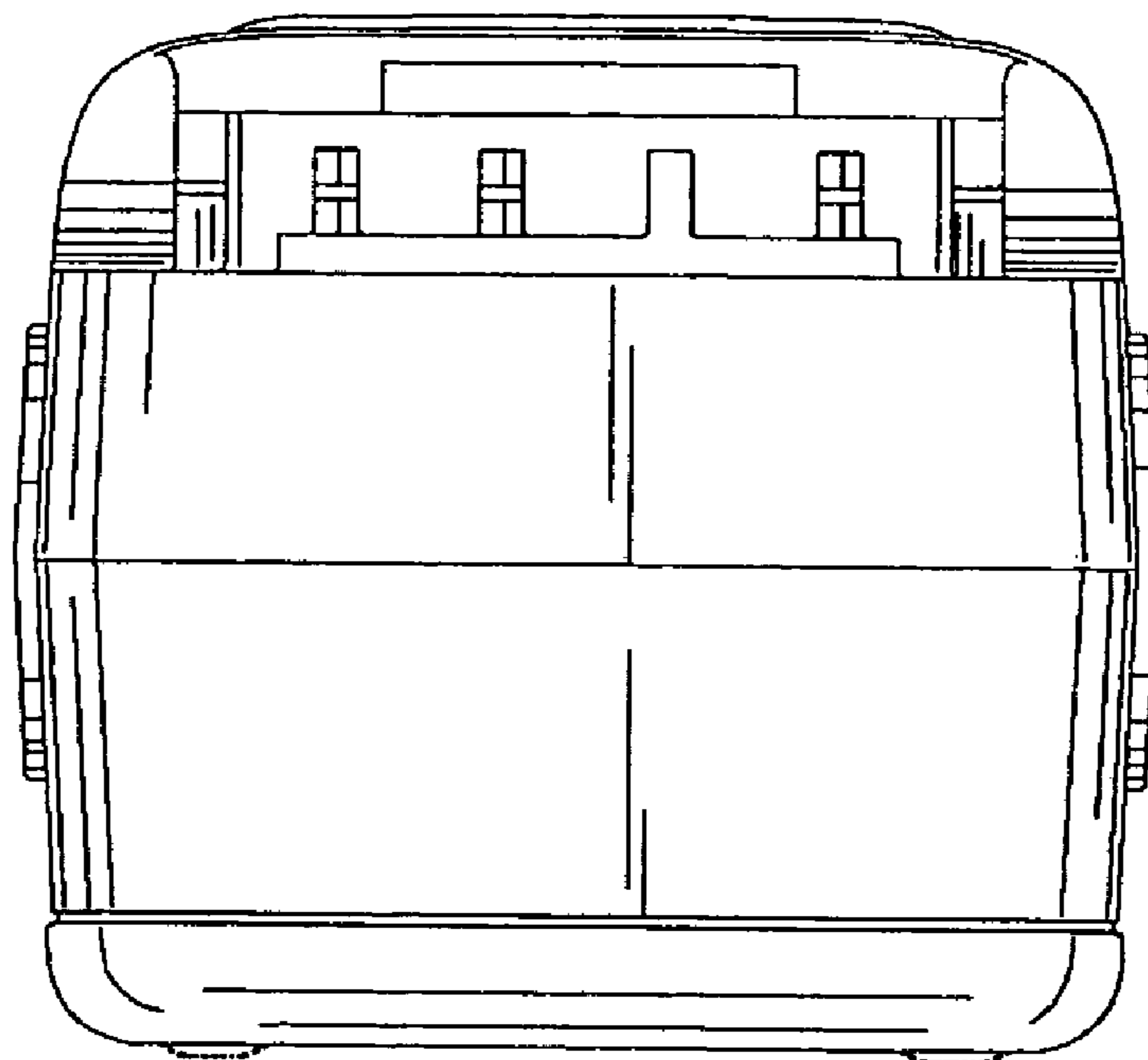


FIG. 54

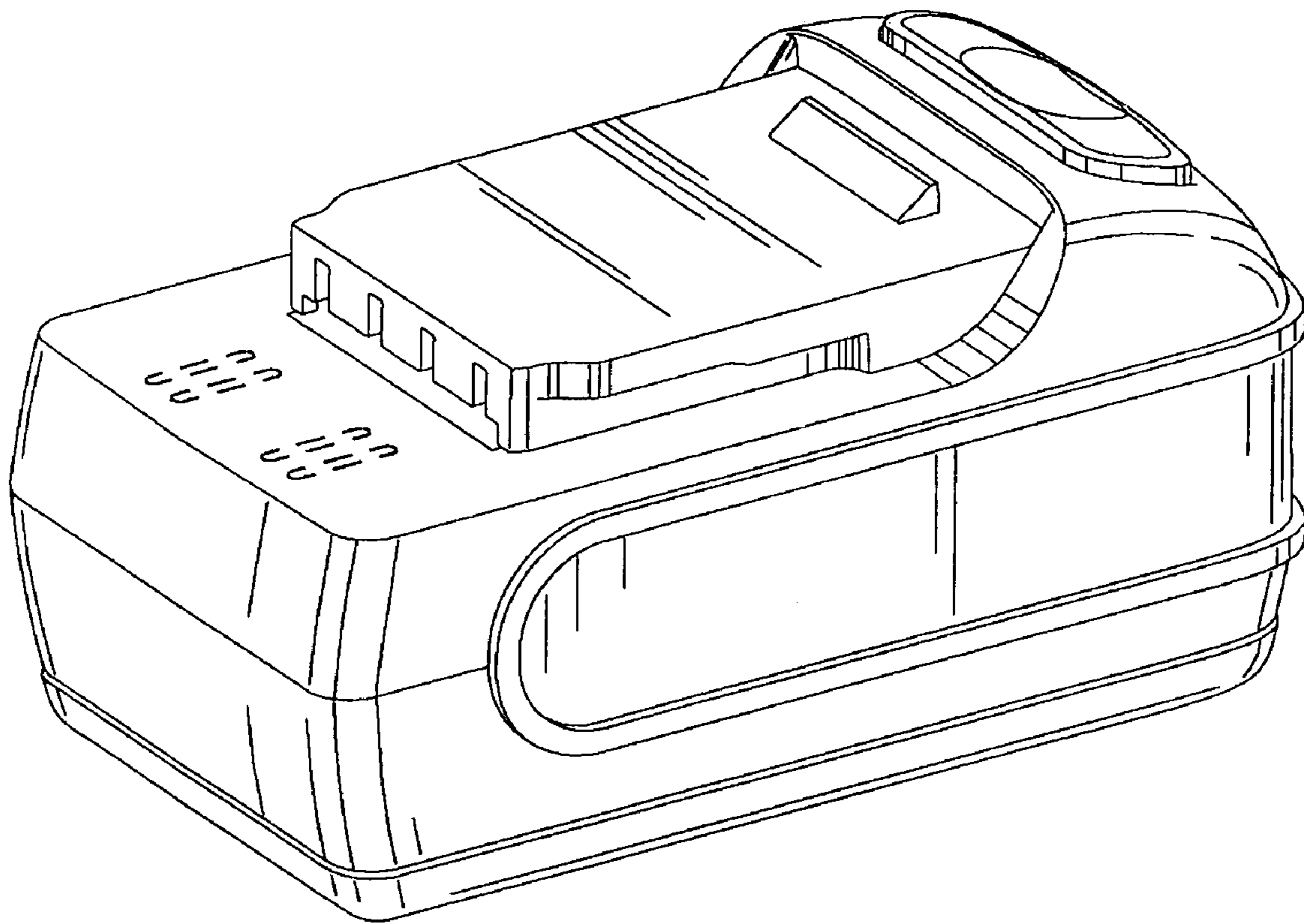


FIG. 55

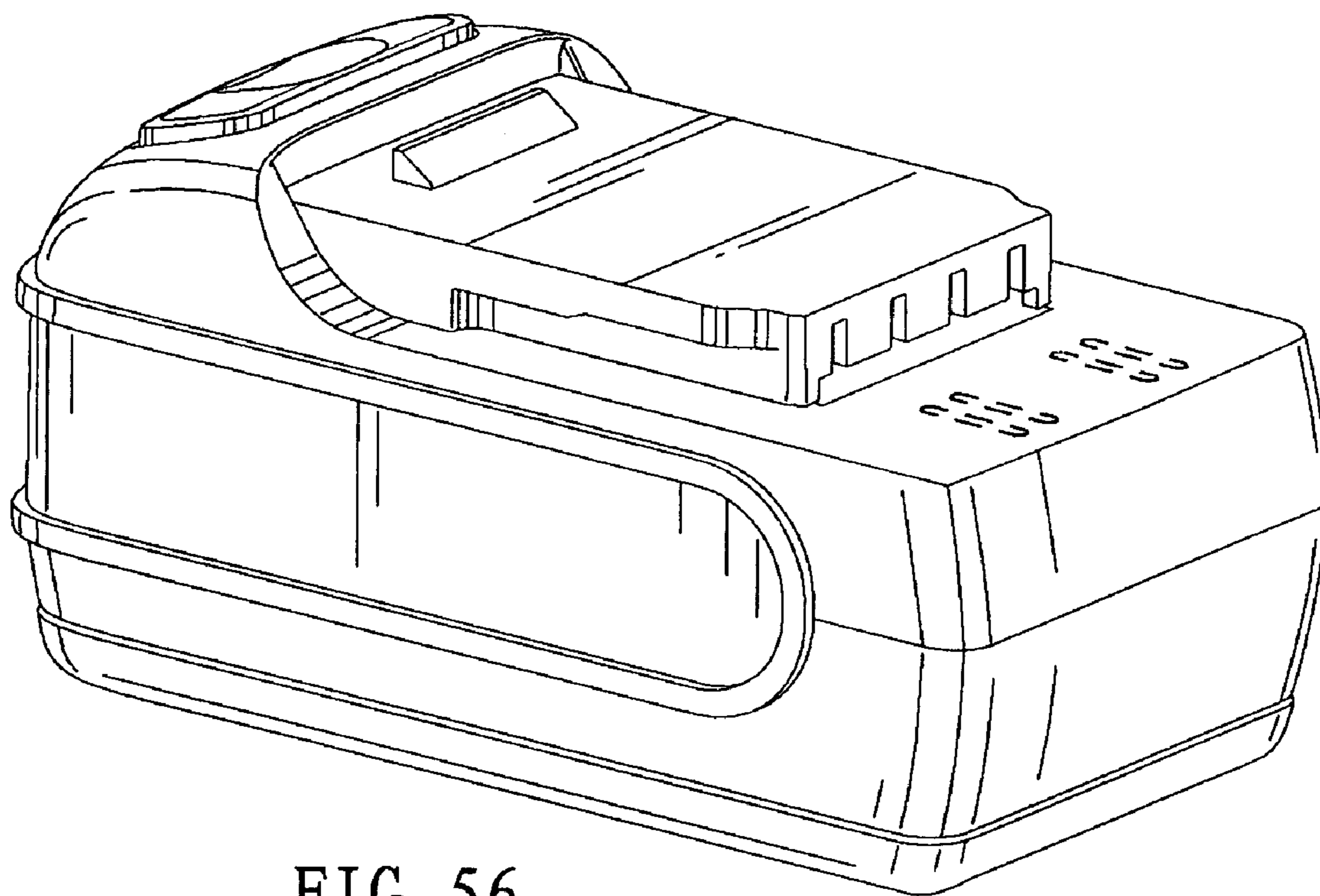


FIG. 56