



US00D555084S

(12) **United States Design Patent** (10) **Patent No.:** **US D555,084 S**
Sharma et al. (45) **Date of Patent:** **** Nov. 13, 2007**

(54) **CIRCULAR SOLAR CELL PACKAGE DESIGN**

4,589,191 A 5/1986 Green et al.

(Continued)

(75) Inventors: **Suvi Sharma**, Berkeley, CA (US);
Kevin Gibson, Redwood City, CA (US);
Alelie Funcell, Berkeley, CA (US)

FOREIGN PATENT DOCUMENTS

AU AU 5544098 A1 8/1998

(Continued)

(73) Assignee: **Solaria Corporation**, Fremont, CA (US)

Primary Examiner—Stella Reid
Assistant Examiner—Derrick Holland
(74) *Attorney, Agent, or Firm*—Townsend and Townsend and Crew LLP

(**) Term: **14 Years**

(21) Appl. No.: **29/243,063**

(57) **CLAIM**

(22) Filed: **Nov. 18, 2005**

The ornamental design for a circular solar cell package design, as shown and described.

(51) **LOC (8) Cl.** **13-02**

(52) **U.S. Cl.** **D13/102**

(58) **Field of Classification Search** D13/102,
D13/101, 103, 184, 199; 126/561; 136/206,
136/244–251, 256, 291, 292
See application file for complete search history.

DESCRIPTION

FIG. 1 is a top perspective view of a circular solar cell package design showing our new design;
FIG. 2 is a front side view thereof;
FIG. 3 is a top plan view thereof;
FIG. 4 is a left side view thereof;
FIG. 5 is a right side view thereof;
FIG. 6 is a rear view thereof;
FIG. 7 is a bottom plan view thereof;
FIG. 8 is a top perspective view of an alternative embodiment thereof;
FIG. 9 is a front side view thereof;
FIG. 10 is a top plan view thereof;
FIG. 11 is a left side view thereof;
FIG. 12 is a right side view thereof;
FIG. 13 is a rear side view thereof; and,
FIG. 14 is a bottom plan view thereof.

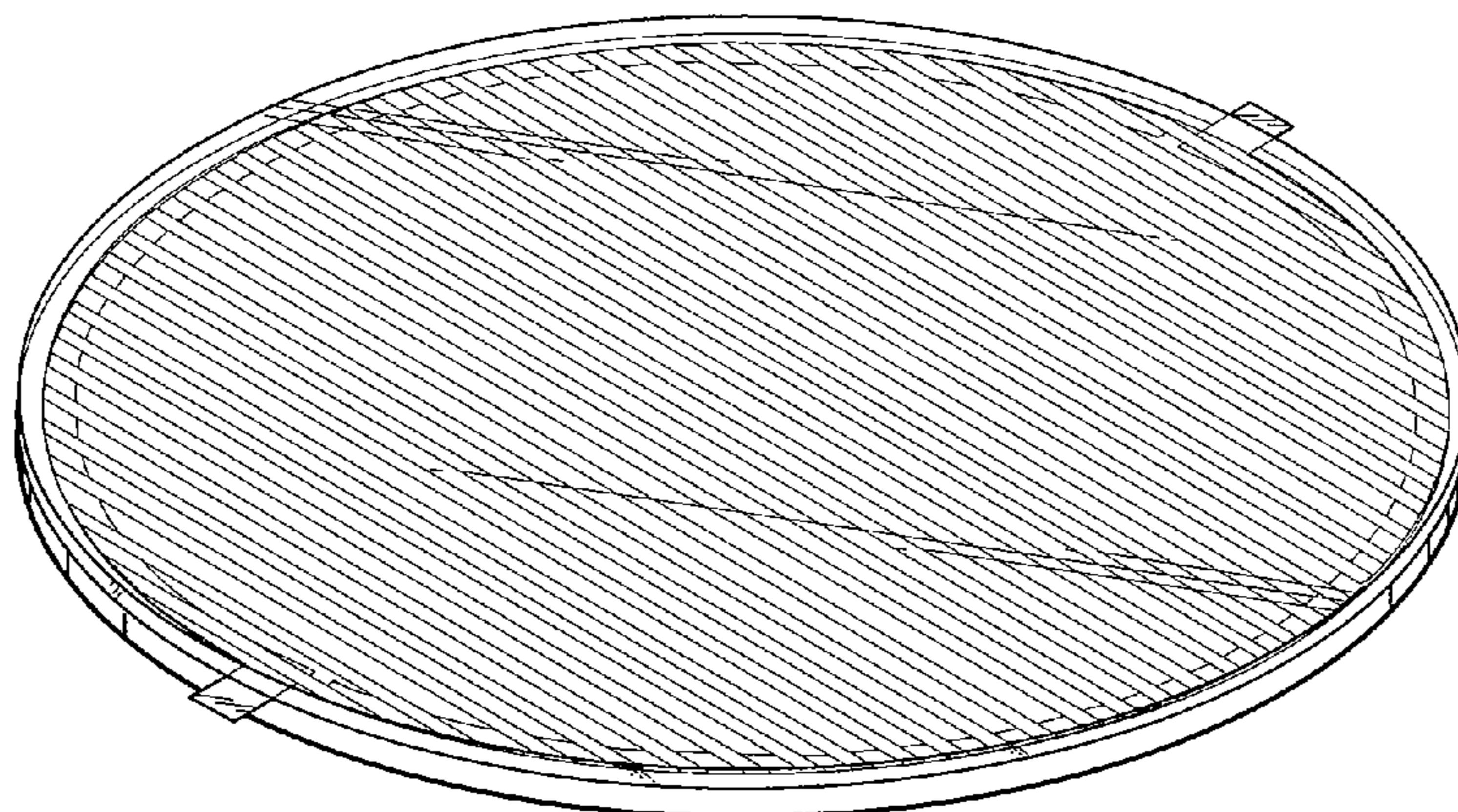
The broken lines shown are for illustrative purposes and form no part of the claimed design.

(56) **References Cited**

U.S. PATENT DOCUMENTS

4,029,519 A	6/1977	Schertz et al.	
4,091,798 A	5/1978	Kudret et al.	
4,122,833 A	10/1978	Kudret et al.	
4,143,234 A	3/1979	Johnson et al.	
4,166,917 A	9/1979	Dorfeld et al.	
D258,232 S *	2/1981	Weis	D13/102
4,293,192 A	10/1981	Bronstein	
4,295,463 A	10/1981	Citron	
4,333,447 A	6/1982	Lemrow et al.	
4,361,136 A	11/1982	Huang	
4,404,422 A	9/1983	Green et al.	
4,440,153 A	4/1984	Melchior	
4,449,514 A	5/1984	Selcuk	
4,454,371 A	6/1984	Folino	
4,457,297 A	7/1984	Sobczak et al.	
4,463,749 A	8/1984	Sobczak et al.	
4,485,264 A *	11/1984	Izu et al.	136/244
4,511,618 A	4/1985	Duchene et al.	
4,571,812 A	2/1986	Gee	

1 Claim, 4 Drawing Sheets



US D555,084 S

U.S. PATENT DOCUMENTS		
4,691,994	A	9/1987 Tveryanovich
4,848,319	A	7/1989 Appeldorn
D303,244	S *	9/1989 Hanak D13/102
4,863,224	A	9/1989 Tveryanovich
4,964,713	A	10/1990 Goetzberger
4,999,059	A	3/1991 Bagno Robert G.
5,153,780	A	10/1992 Jorgensen et al.
5,167,724	A	12/1992 Chiang
5,174,275	A	12/1992 Holland
5,232,518	A *	8/1993 Nath et al. 136/251
5,245,985	A	9/1993 Holland
5,344,496	A	9/1994 Stern et al.
5,356,488	A	10/1994 Hezel
5,365,920	A	11/1994 Lechner
D353,129	S *	12/1994 Ricaud et al. D13/102
5,395,070	A	3/1995 Wilk et al.
5,449,626	A	9/1995 Hezel
5,460,659	A	10/1995 Krut
5,517,339	A	5/1996 Riccobono et al.
5,529,054	A	6/1996 Shoen
5,542,409	A	8/1996 Sampayo
5,542,988	A *	8/1996 Bogus 136/244
5,564,411	A	10/1996 Gerics et al.
5,660,644	A	8/1997 Clemens
D391,921	S *	3/1998 Zimmer et al. D13/102
5,787,878	A	8/1998 Ratliff, Jr.
5,790,304	A	8/1998 Sanders et al.
5,851,309	A	12/1998 Kousa
5,865,905	A	2/1999 Clemens
5,877,874	A	3/1999 Rosenberg
5,882,434	A	3/1999 Horne
5,936,777	A	8/1999 Dempewolf
5,959,787	A	9/1999 Fairbanks
5,964,216	A	10/1999 Hoffschmidt et al.
6,008,449	A	12/1999 Cole
6,091,017	A	7/2000 Stern
6,091,020	A	7/2000 Fairbanks et al.
6,118,067	A	9/2000 Lashley et al.
6,134,784	A	10/2000 Carrie et al.
6,167,724	B1	1/2001 Pozivil
D442,139	S *	5/2001 Sasaoka D13/102
6,274,402	B1	8/2001 Verlinden et al.
6,274,860	B1	8/2001 Rosenberg
6,309,901	B1	10/2001 Tahon et al.
6,333,457	B1	12/2001 Mulligan et al.
6,337,283	B1	1/2002 Verlinden et al.
6,387,726	B1	5/2002 Verlinden et al.
6,423,568	B1	7/2002 Verlinden et al.
6,429,037	B1	8/2002 Wenham et al.
6,440,769	B2	8/2002 Peumans et al.
D469,399	S *	1/2003 Shugar D13/102
6,528,716	B2	3/2003 Collette et al.
6,612,705	B1	9/2003 Davidson et al.
6,619,282	B1	9/2003 Murtha
6,620,995	B2	9/2003 Vasylyev et al.
6,666,207	B1	12/2003 Arkas et al.
6,676,263	B2	1/2004 Winston
6,700,054	B2	3/2004 Cherney et al.
6,700,055	B2	3/2004 Barone
6,804,062	B2	10/2004 Atwater et al.
6,843,573	B2	1/2005 Rabinowitz et al.
2002/0007845	A1	1/2002 Jean-Paul et al.

2002/0018308	A1	2/2002 Winston
2002/0075579	A1	6/2002 Vasylyev et al.
2002/0139414	A1	10/2002 Vasylyev et al.
2003/0015233	A1	1/2003 Barone
2003/0037814	A1	2/2003 Gilbert et al.
2003/0081333	A1	5/2003 Winston et al.
2003/0095340	A1	5/2003 Atwater et al.
2003/0156337	A1	8/2003 Davidson et al.
2003/0201007	A1	10/2003 Fraas et al.
2004/0016454	A1	1/2004 Murphy et al.
2004/0021964	A1	2/2004 Rabinowitz et al.
2004/0097012	A1	5/2004 Weber et al.
2004/0134531	A1	7/2004 Habraken et al.
2004/0194820	A1	10/2004 Steven
2004/0243364	A1	12/2004 Wendelin et al.
2005/0070059	A1	3/2005 Blakers et al.
2005/0081908	A1	4/2005 Stewart
2005/0081909	A1	4/2005 Paull
2005/0087294	A1	4/2005 Rabinowitz

FOREIGN PATENT DOCUMENTS

AU	743826	B2	2/2002
AU	220348	A5	6/2002
AU	3902270	A4	5/2003
AU	2349175	AA	6/2003
CA	2432300	AA	6/2002
CA	2467112	AA	6/2003
EP	461124	B1	5/1995
EP	657948	A3	6/1997
EP	1174342	A1	1/2002
EP	1261039	A1	11/2002
EP	1342259	A1	9/2003
EP	1461834	A1	9/2003
EP	1112597	B1	3/2004
EP	1131586	B1	3/2004
EP	1732141	A1	12/2006
JP	10104547	A2	4/1998
WO	9118420	A1	11/1991
WO	9406046	A1	3/1994
WO	9506330	A1	3/1995
WO	9533220	A1	12/1995
WO	9623115	A1	8/1996
WO	9624954	A1	8/1996
WO	9803823	A1	1/1998
WO	9832164	A1	7/1998
WO	9905462	A1	2/1999
WO	0074147	A1	12/2000
WO	0079593	A1	12/2000
WO	0151962	A2	7/2001
WO	1554650	A3	8/2001
WO	0208058	A1	1/2002
WO	0245143	A1	6/2002
WO	02075225	A2	9/2002
WO	0155650	C2	10/2002
WO	0190661	A3	11/2002
WO	02095838	A1	11/2002
WO	03019083	A1	3/2003
WO	03022578	A1	3/2003
WO	03047004	A1	6/2003
WO	03049201	A1	6/2003
WO	03107078	A2	12/2003
WO	04100252	A1	11/2004

* cited by examiner

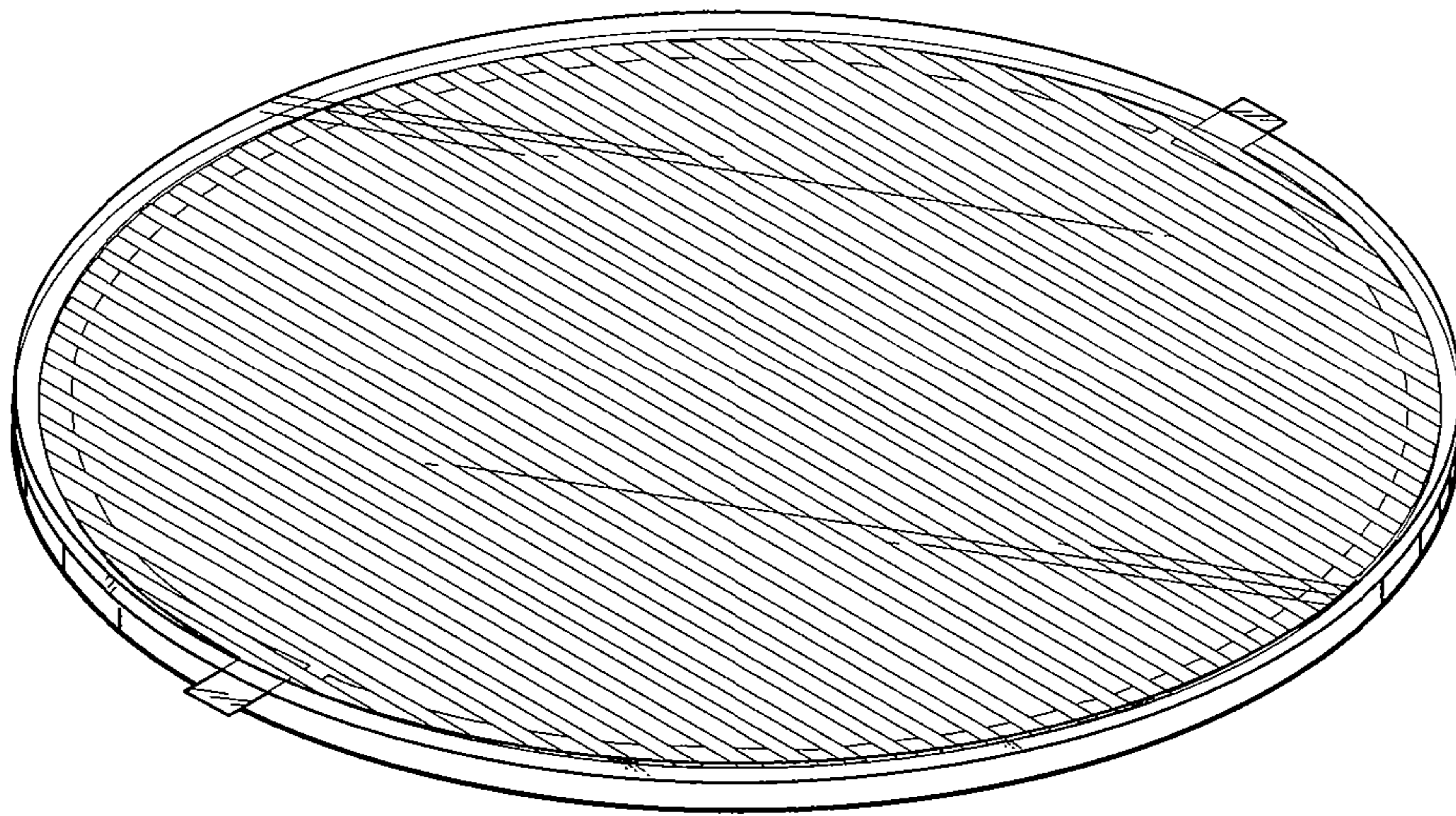


FIG. 1

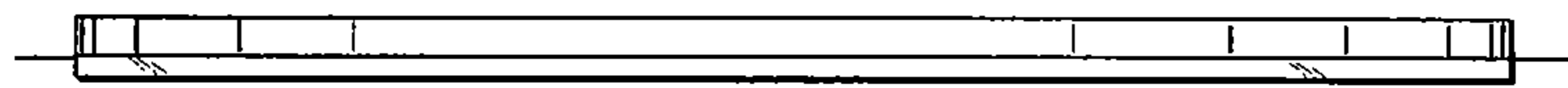


FIG. 2



FIG. 4

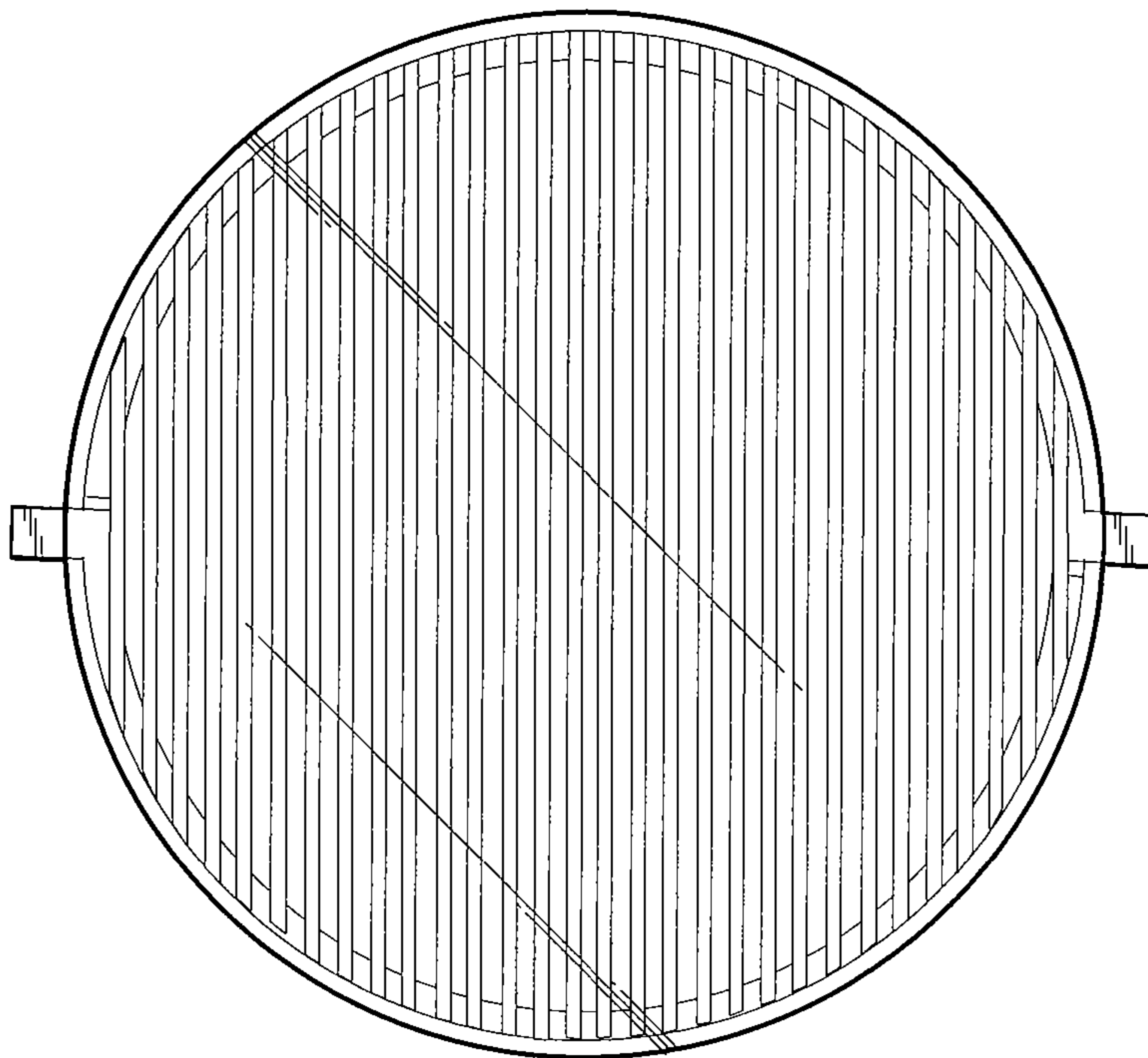


FIG. 3



FIG. 5

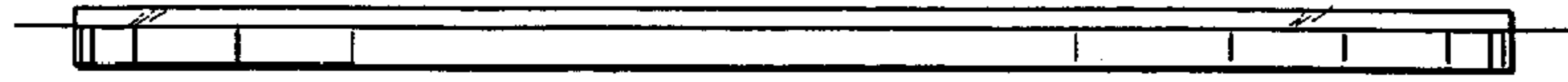


FIG. 6

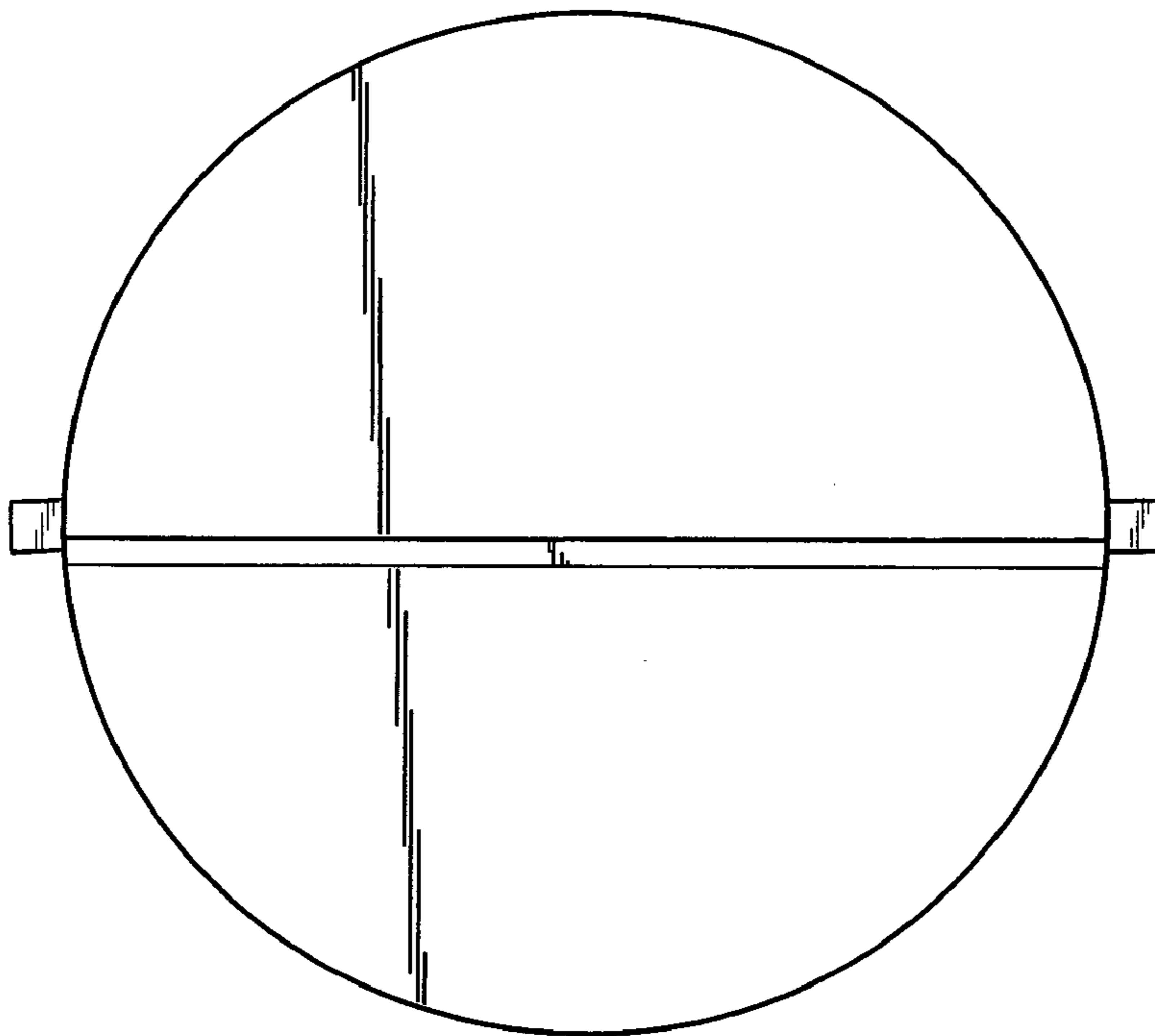


FIG. 7

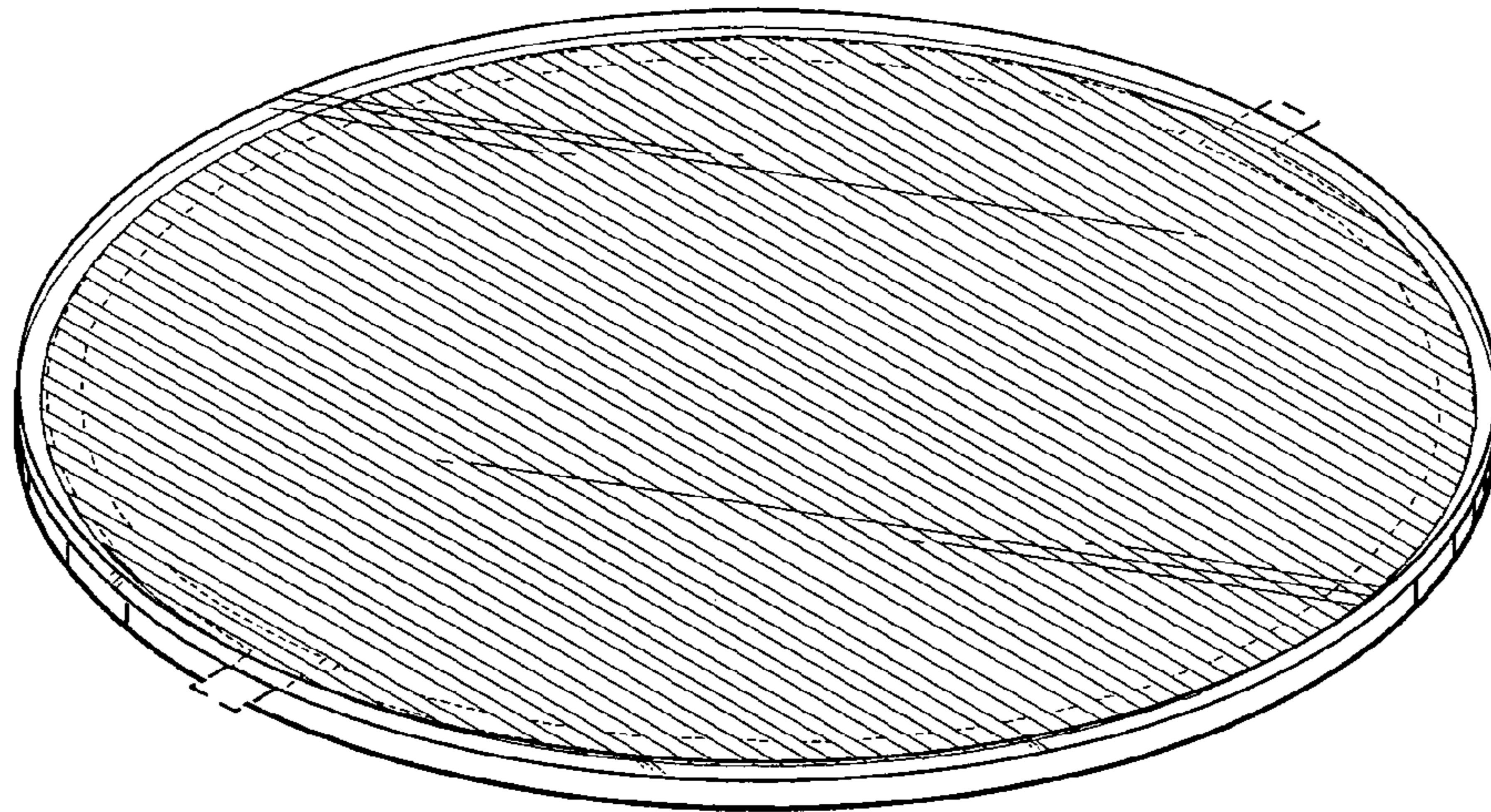


FIG. 8

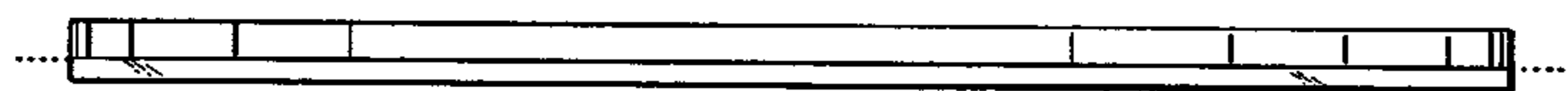


FIG. 9



FIG. 11

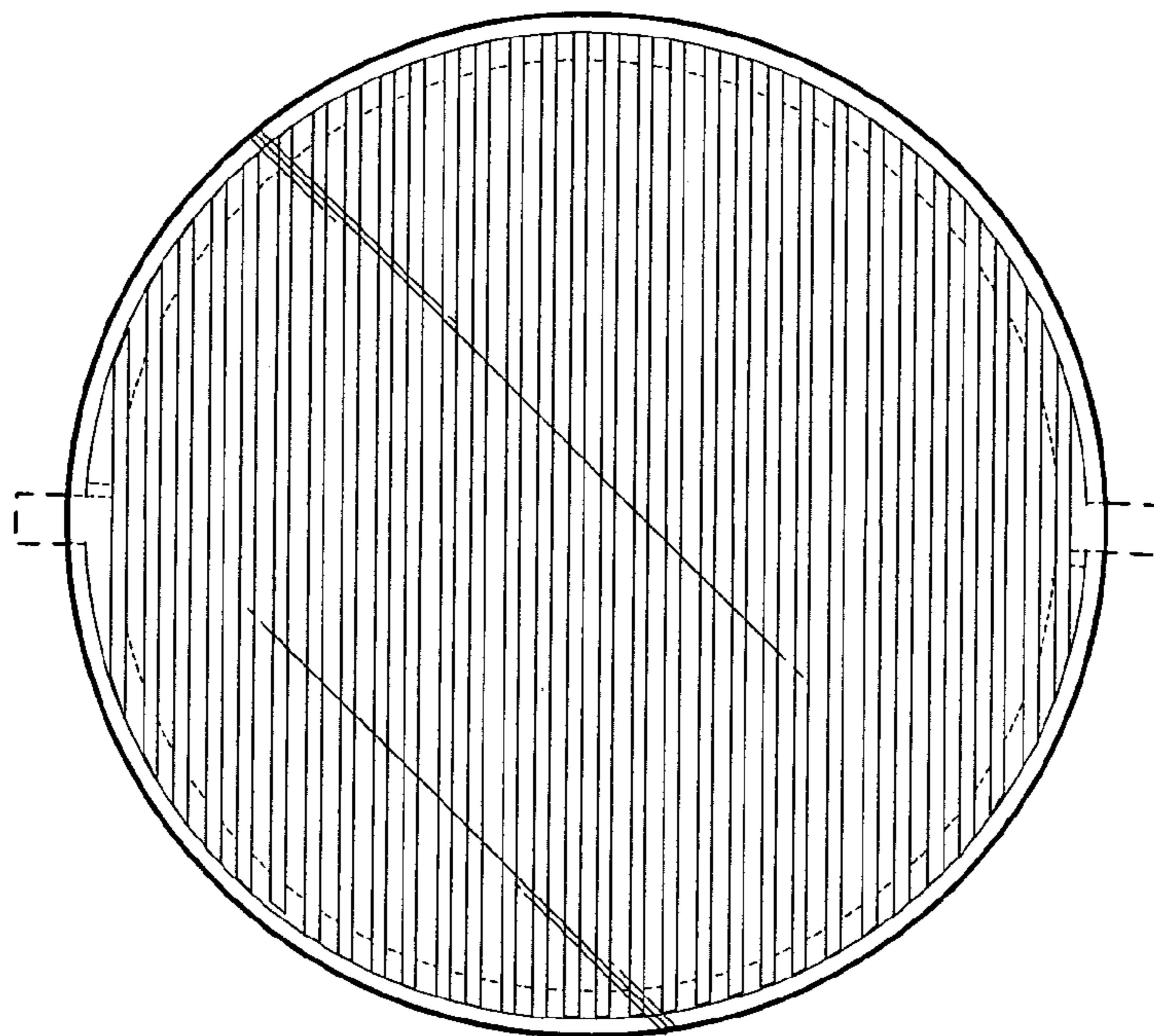


FIG. 10



FIG. 12

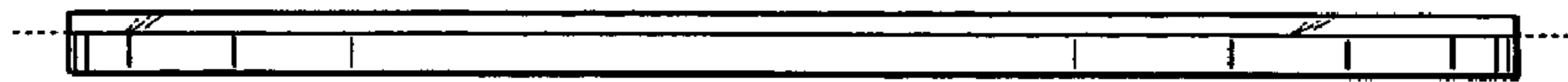


FIG. 13

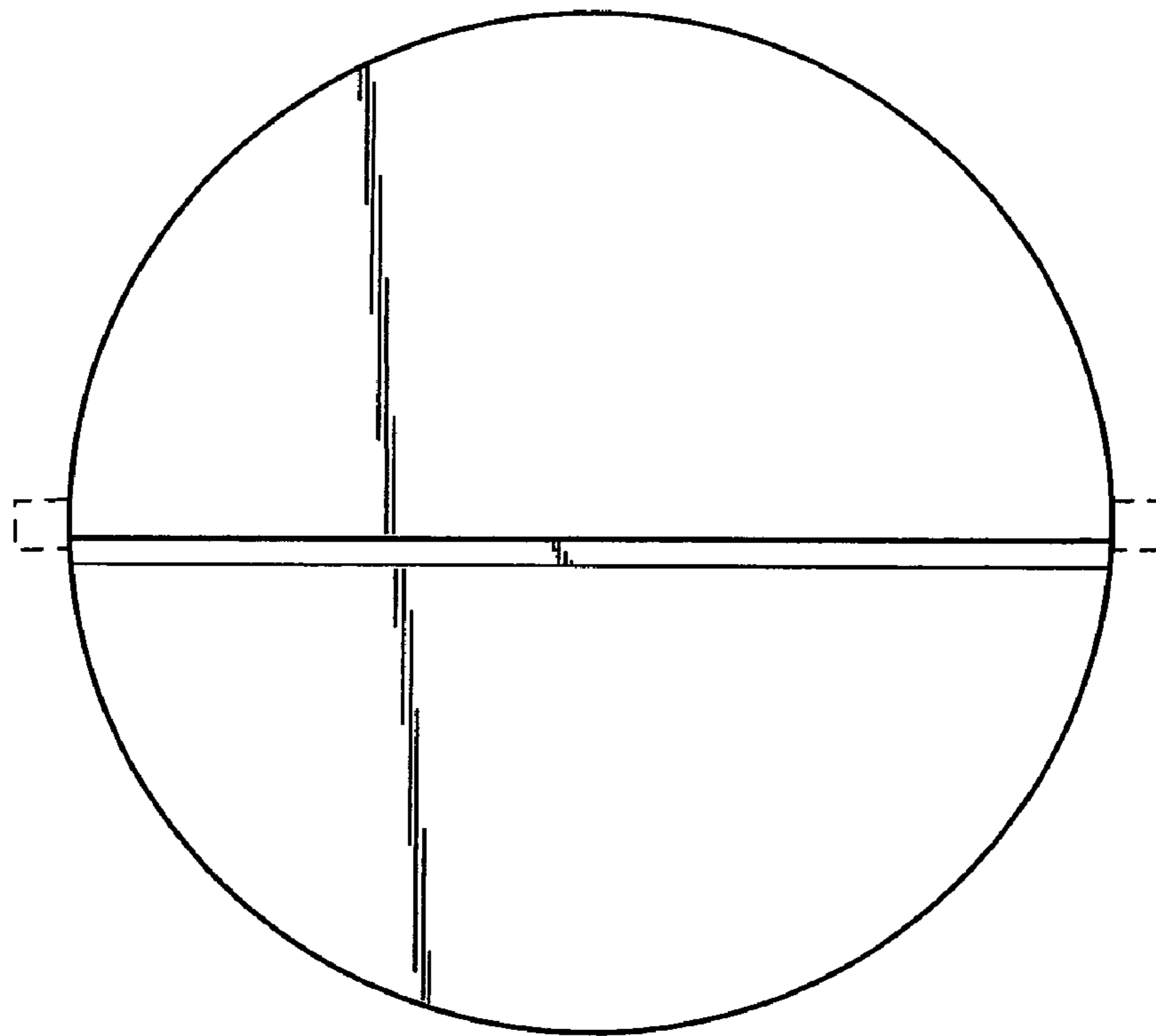


FIG. 14