



US00D555081S

(12) **United States Design Patent**  
**Feider et al.**

(10) **Patent No.:** **US D555,081 S**

(45) **Date of Patent:** **\*\* Nov. 13, 2007**

(54) **TIRE TREAD**

(75) Inventors: **Georges Gaston Feider**, Bettborn (LU); **Lars Gebert**, Trier (DE); **Phuoc Thuan Le**, Attert (BE); **Krzysztof Florian Jakubiak**, Ettelbruck (LU)

(73) Assignee: **The Goodyear Tire & Rubber Company**, Akron, OH (US)

(\*\*) Term: **14 Years**

(21) Appl. No.: **29/254,225**

(22) Filed: **Feb. 17, 2006**

(51) **LOC (8) Cl.** ..... **12-15**

(52) **U.S. Cl.** ..... **D12/588**

(58) **Field of Classification Search** ..... D12/588, D12/583, 585, 587, 589, 590, 591; 152/209.1, 152/209.18, 209.25, 209.26, 209.27  
See application file for complete search history.

(56) **References Cited**

**U.S. PATENT DOCUMENTS**

D338,178 S *	8/1993	Yamashita	.....	D12/590
D370,439 S	6/1996	Feider et al.	.....	D12/141
D380,995 S *	7/1997	Grosskopf	.....	D12/588
D385,235 S	10/1997	Young	.....	D12/141
D390,510 S *	2/1998	Stone et al.	.....	D12/588
D394,034 S	5/1998	Feider et al.	.....	D12/147
D395,626 S	6/1998	Gillard et al.	.....	D12/147
D448,709 S	10/2001	Le	.....	D12/147
D458,582 S	6/2002	Rodicq et al.	.....	D12/586

D472,204 S *	3/2003	Kemp et al.	.....	D12/588
D481,670 S	11/2003	Harden, Jr. et al.	.....	D12/595
D481,992 S	11/2003	Harden, Jr. et al.	.....	D12/595
D500,010 S *	12/2004	Maziarka et al.	.....	D12/590

**OTHER PUBLICATIONS**

Wanli S-3074, 2005 Tread Design Guide, Jan. 2005, p. 136. 4/5.\*

\* cited by examiner

*Primary Examiner*—Robert M. Spear

*Assistant Examiner*—Katrina A Kile

(74) *Attorney, Agent, or Firm*—Richard B. O’Planick

(57) **CLAIM**

The ornamental design for a tire tread, as shown and described.

**DESCRIPTION**

FIG. 1 is a perspective view of a tire tread showing our new design, it being understood that the pattern repeats uniformly throughout the circumference of the tread;

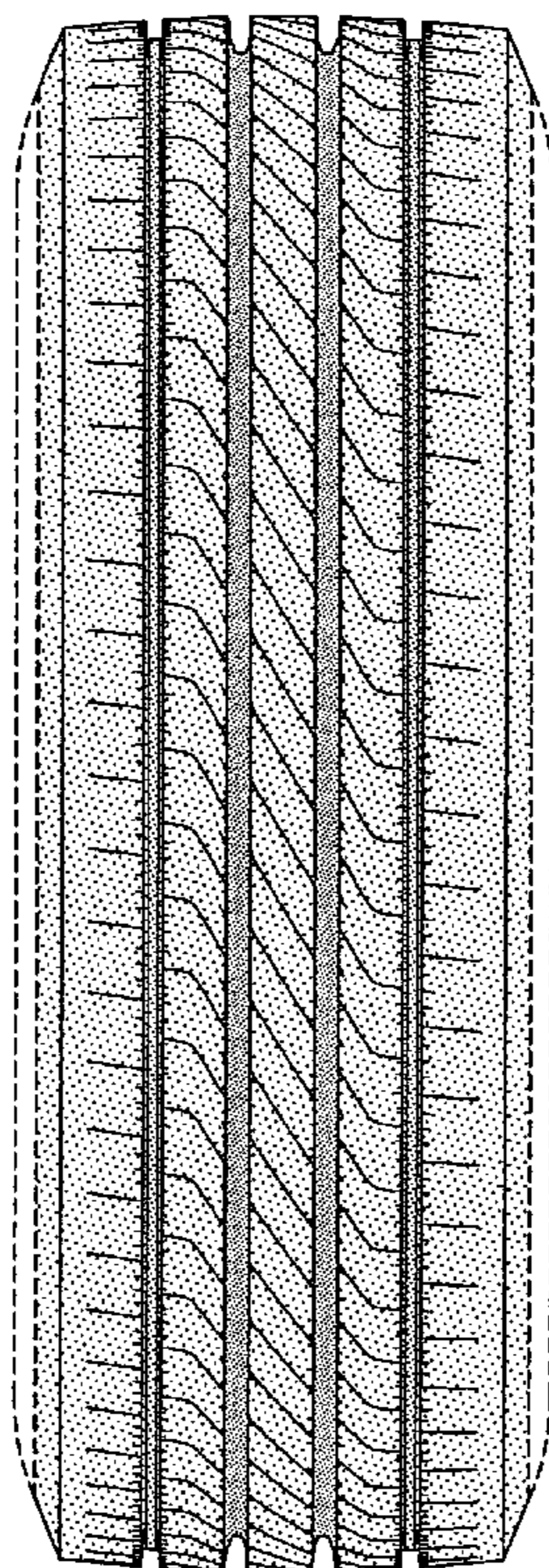
FIG. 2 is a front elevational view thereof;

FIG. 3 is a right side elevational view thereof; the other side being identical thereto; and,

FIG. 4 is an enlarged fragmentary front elevational view thereof.

In the drawings, the broken lines defining the sidewall, inner bead and the peripheral boundary between the tire tread and the sidewall are for illustrative purposes only and form no part of the claimed design.

**1 Claim, 4 Drawing Sheets**



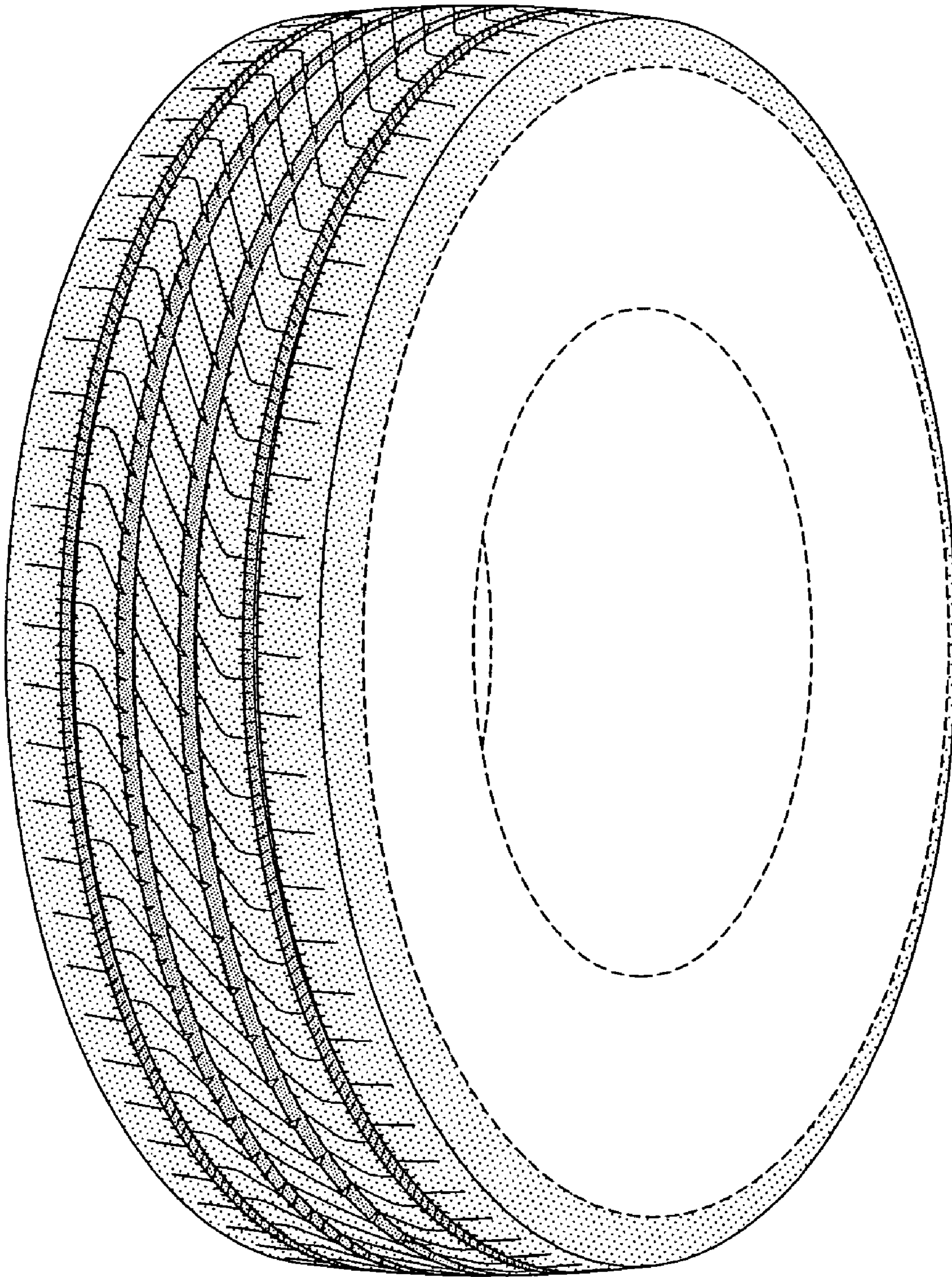


FIG-1



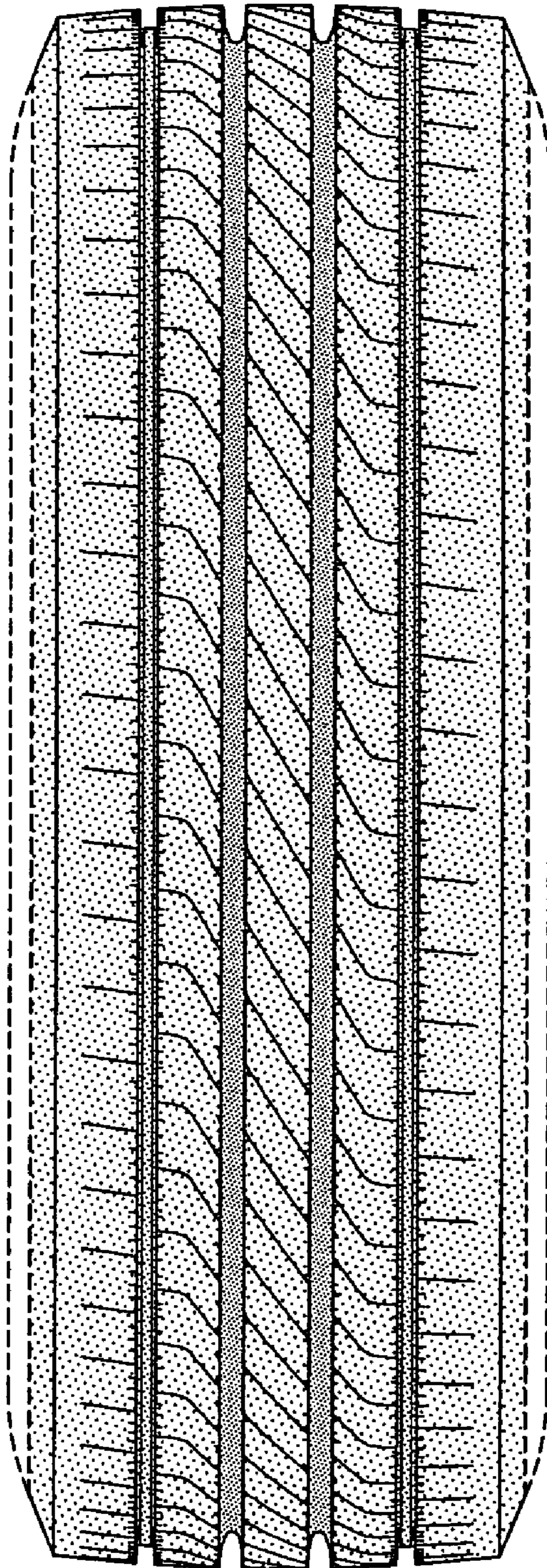


FIG-2

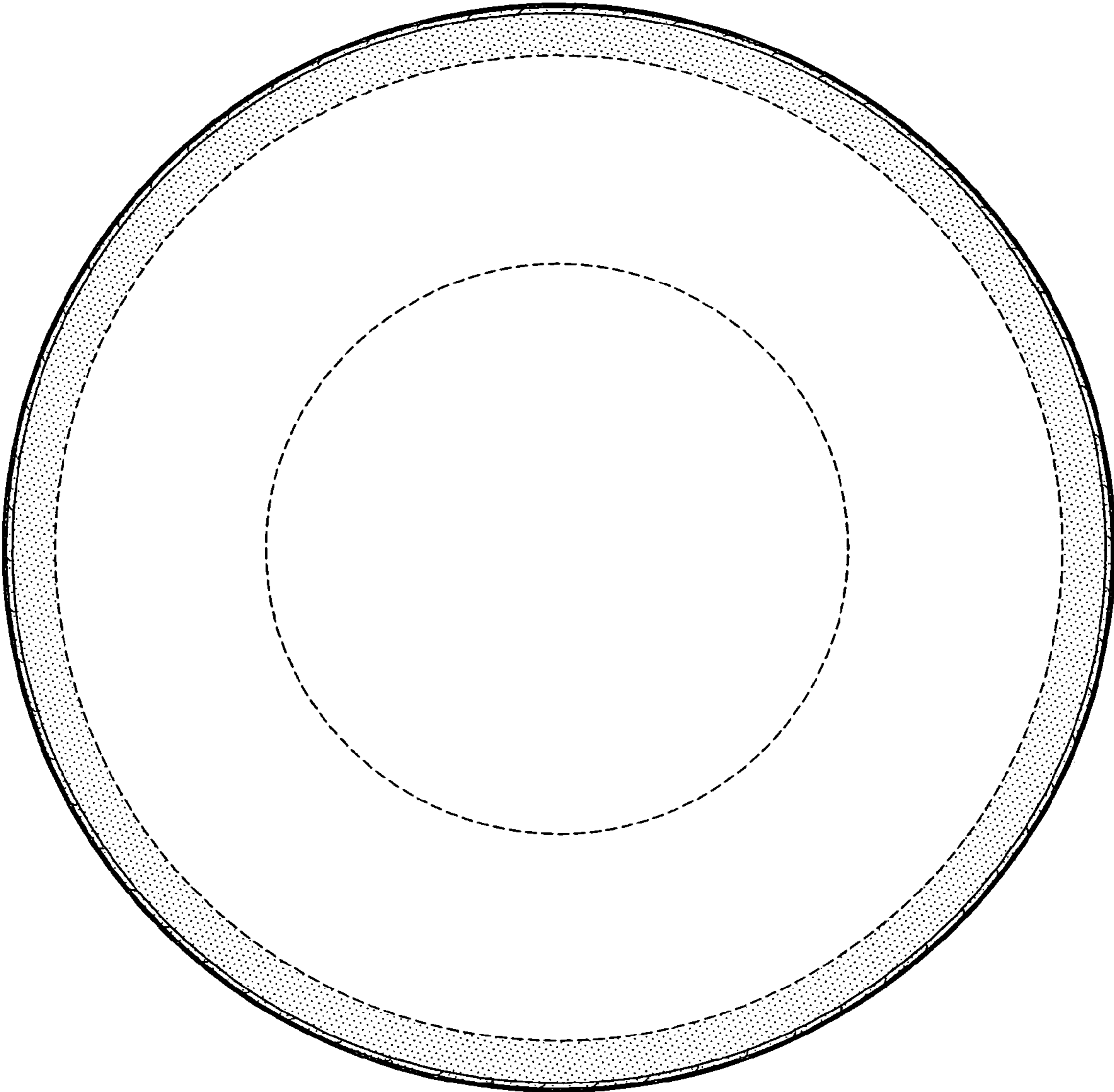


FIG-3



