



US00D555068S

(12) **United States Design Patent**
Kim

(10) **Patent No.:** **US D555,068 S**

(45) **Date of Patent:** **** Nov. 13, 2007**

(54) **WIPERS FOR AUTOMOBILES**

(75) Inventor: **In-Kyu Kim**, Ansan-shi (KR)

(73) Assignee: **ADM21 Co., Ltd.**, Ansan-si (KR)

(**) Term: **14 Years**

(21) Appl. No.: **29/276,285**

(22) Filed: **Jan. 20, 2007**

(30) **Foreign Application Priority Data**

Jul. 21, 2006 (KR) 30-2006-0030718

(51) **LOC (8) Cl.** **12-06**

(52) **U.S. Cl.** **D12/219**

(58) **Field of Classification Search** D12/219-220;
15/250.31-250.33, 250.351, 250.38, 250.4,
15/250.41-44, 250.201, 250.451-250.458,
15/250.48, 250.04, 250.07, 250.44
See application file for complete search history.

(56) **References Cited**

U.S. PATENT DOCUMENTS

- D379,613 S * 6/1997 Chen D12/219
- D443,854 S * 6/2001 De Block D12/219
- D511,735 S * 11/2005 Aoyama et al. D12/219
- D524,223 S * 7/2006 Nakano et al. D12/219

* cited by examiner

Primary Examiner—Stacia Cadmus

(74) *Attorney, Agent, or Firm*—Townsend & Townsend & Crew LLP

(57) **CLAIM**

The ornamental design for wipers for automobiles, as shown and described.

DESCRIPTION

FIG. 1 is a perspective view of the wipers for automobiles showing my new design view;

FIG. 2 is a front elevational view thereof;

FIG. 3 is a rear elevational view thereof;

FIG. 4 is a left side elevational view thereof;

FIG. 5 is a right side elevational view thereof;

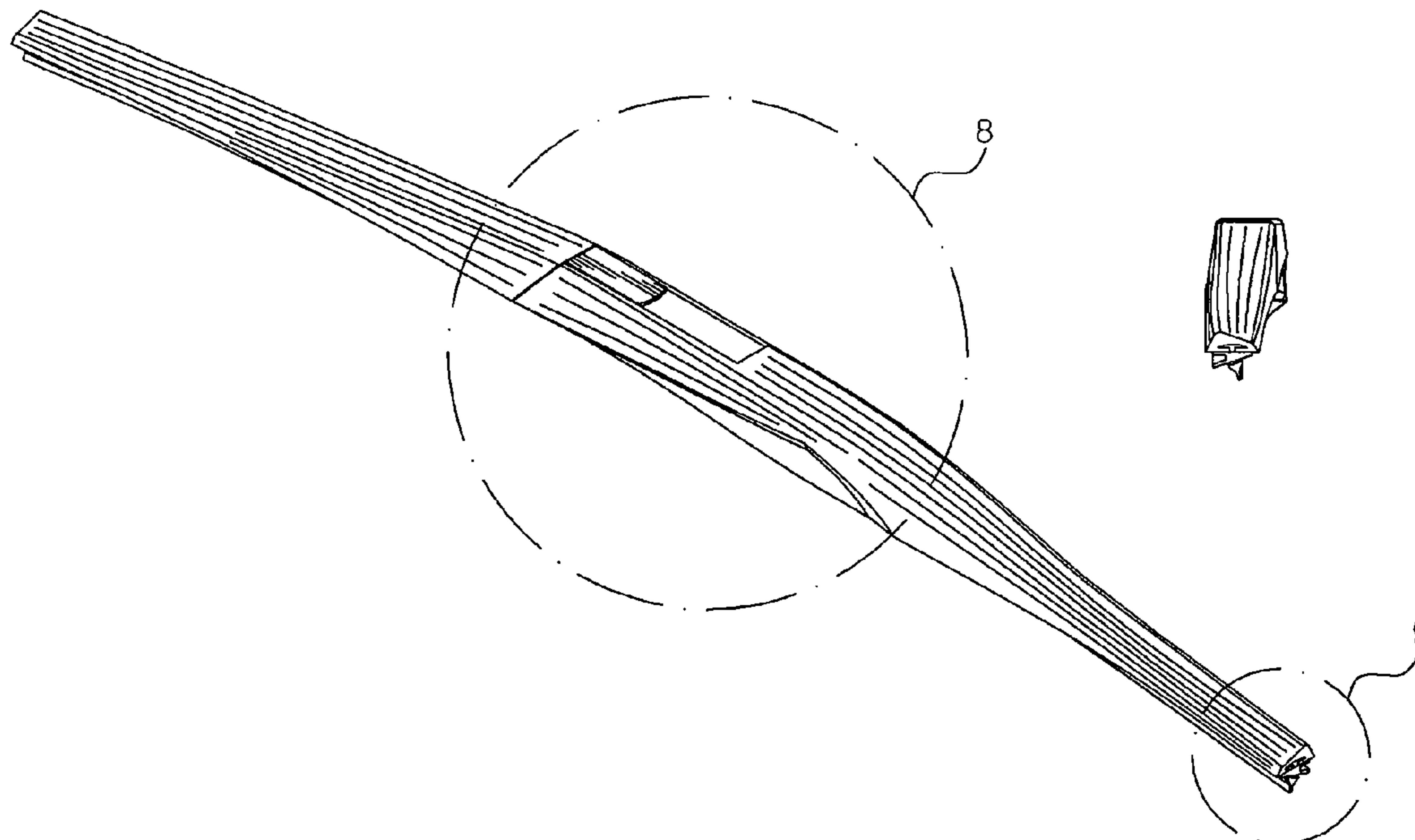
FIG. 6 is a top plan view thereof;

FIG. 7 is a bottom plan view thereof;

FIG. 8 is an enlarged view of the encircled portion labeled as “8” in FIG. 1; and,

FIG. 9 is an enlarged view of the encircled portion labeled as “9” in FIG. 1.

1 Claim, 7 Drawing Sheets



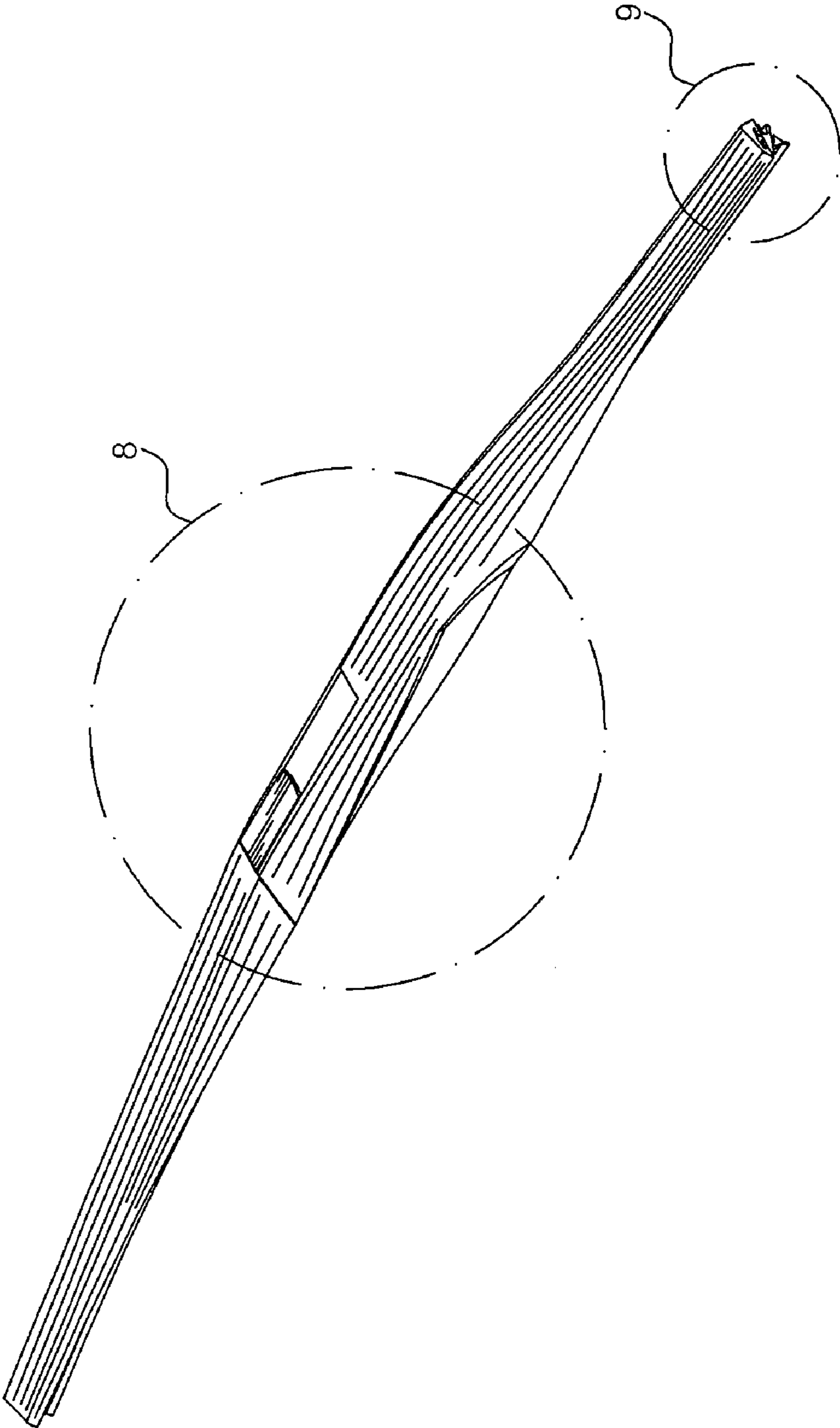


FIG. 1

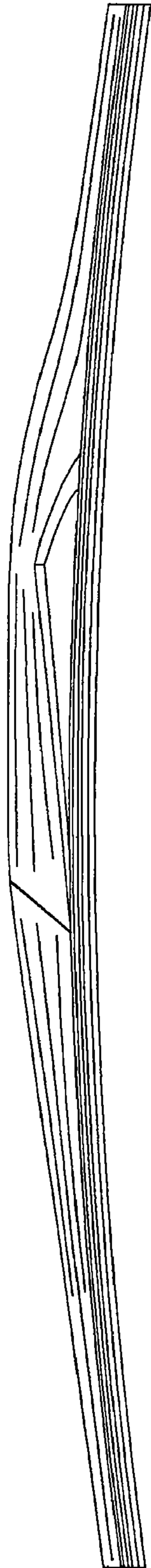


FIG. 2

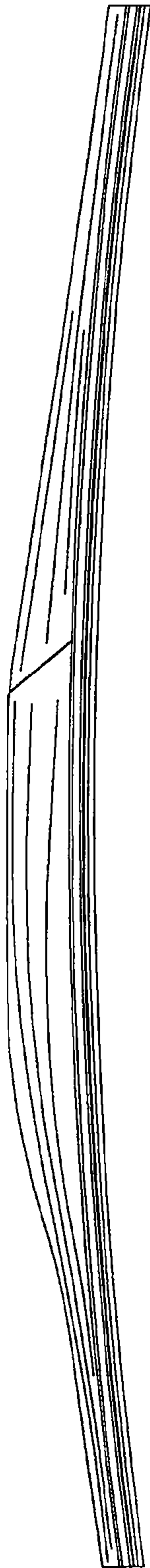


FIG. 3

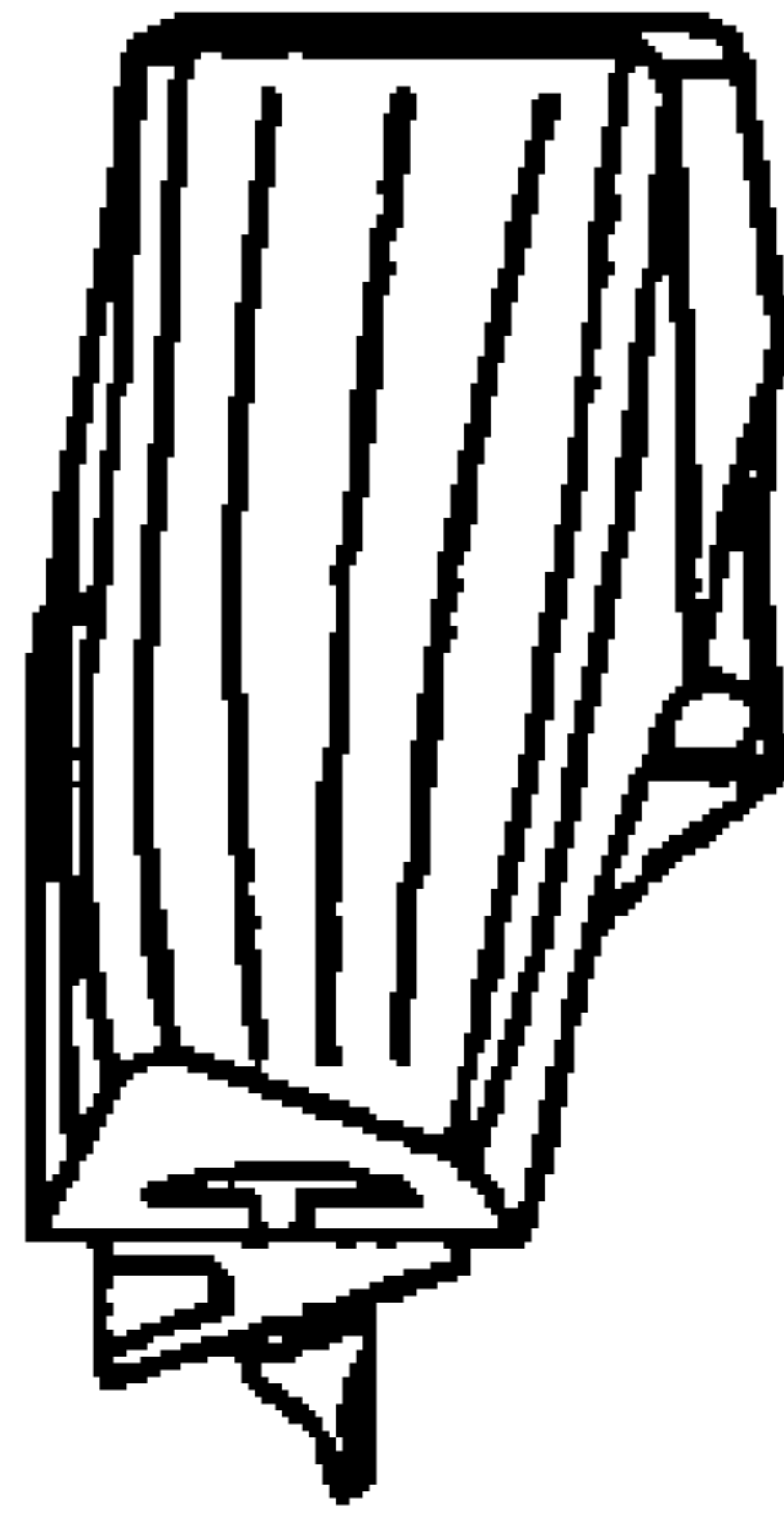


FIG. 4

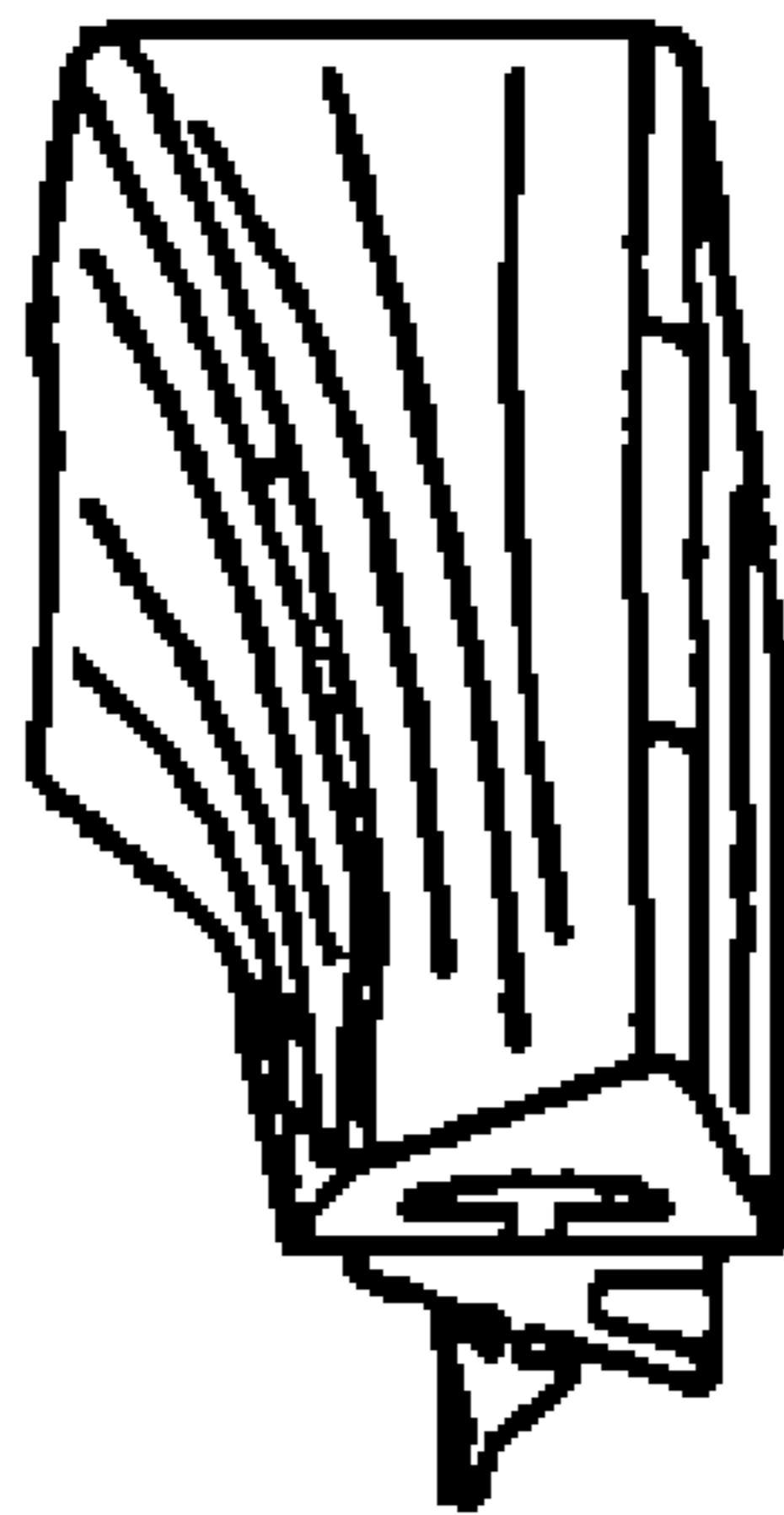


FIG. 5

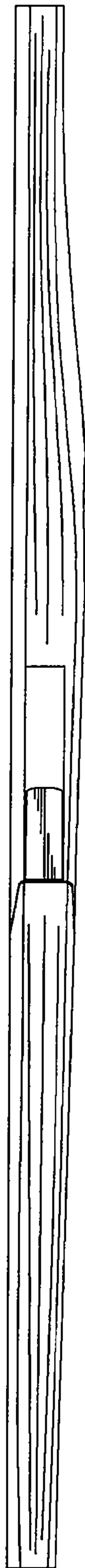


FIG. 6

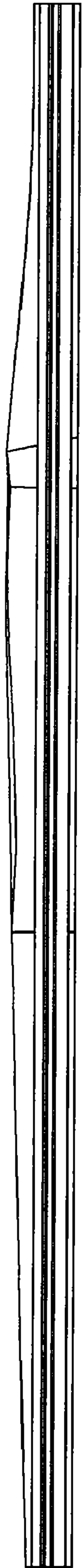


FIG. 7

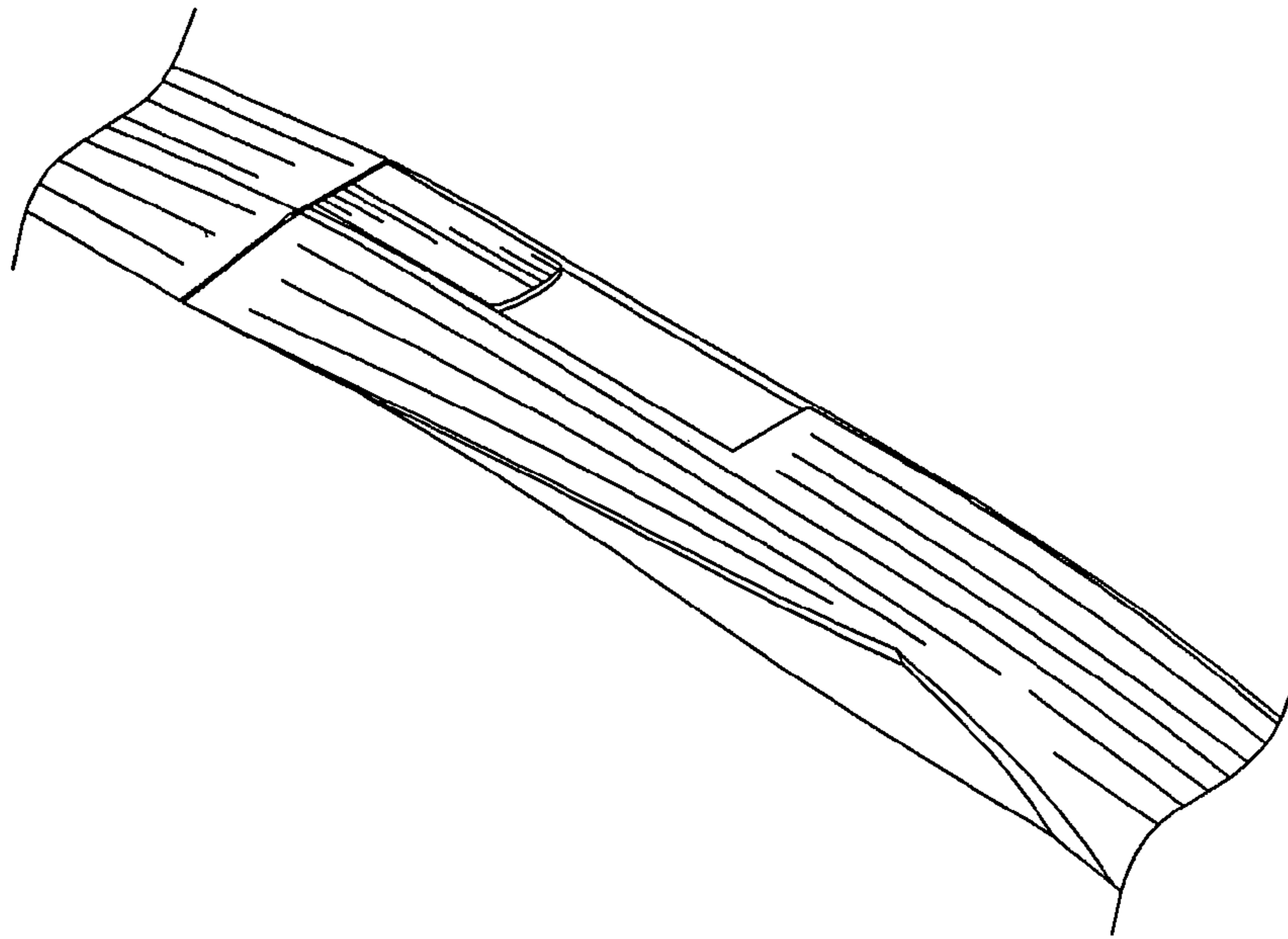


FIG. 8

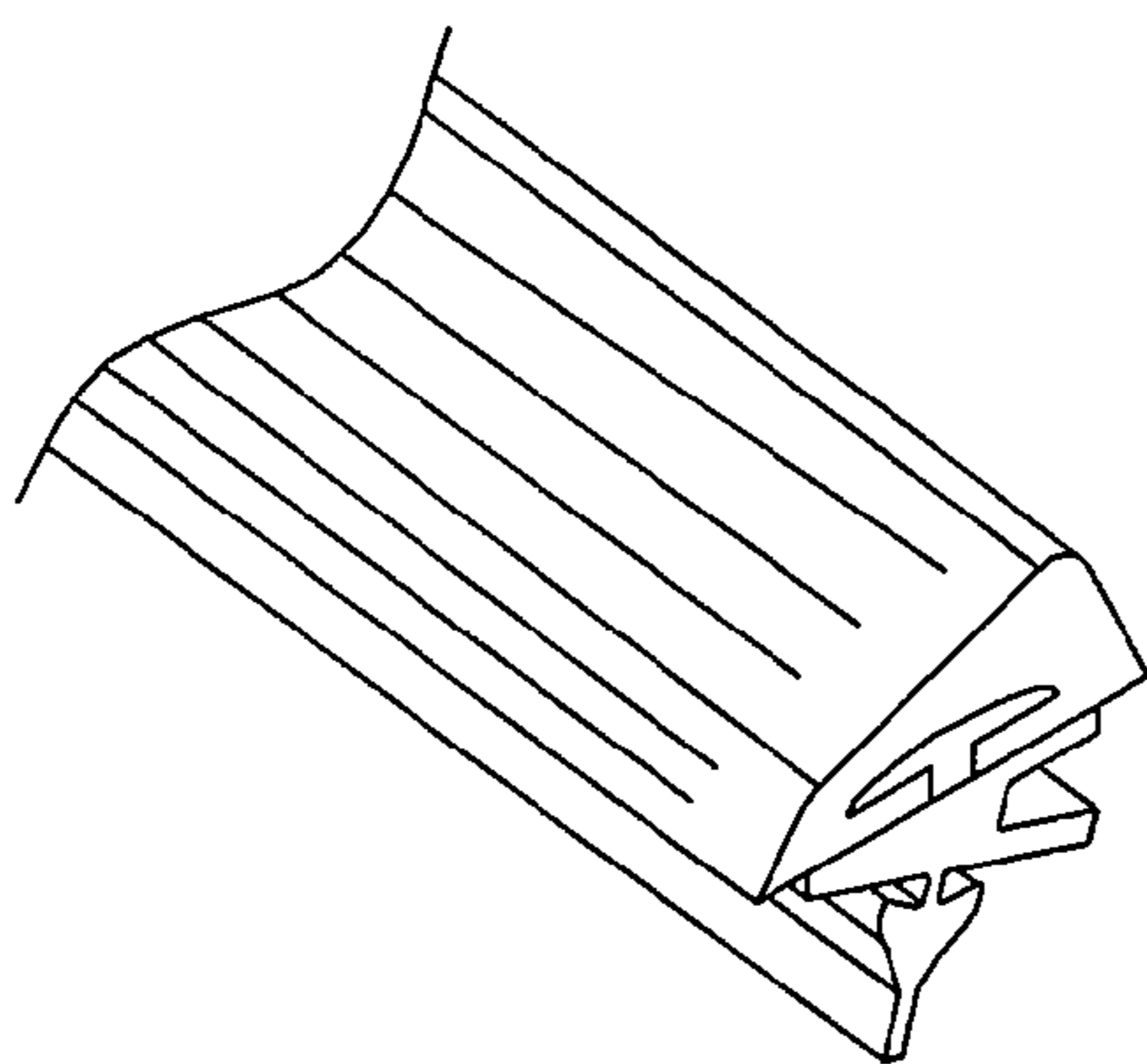


FIG. 9