



US00D555067S

(12) **United States Design Patent** (10) **Patent No.:** **US D555,067 S**
Kruger et al. (45) **Date of Patent:** **** Nov. 13, 2007**

(54) **OIL TANK WITH TRANSPARENT SIDES**

(76) Inventors: **Aaron Kruger**, 3850 E. 17th Ave.,
Denver, CO (US) 80206; **Micah
Kruger**, 780 33rd St., Boulder, CO (US)
80303

(**) Term: **14 Years**

(21) Appl. No.: **29/245,851**

(22) Filed: **Dec. 30, 2005**

(51) **LOC (8) Cl.** **12-06**

(52) **U.S. Cl.** **D12/218; D15/5**

(58) **Field of Classification Search** D15/5;
D12/110, 114, 218; 180/219, 225, 69.4;
280/833, 835; 123/572, 196 R, 196 W, 196 AS
See application file for complete search history.

(56) **References Cited**

U.S. PATENT DOCUMENTS

1,871,008	A *	8/1932	Rentz	123/142.5 R
2,001,610	A *	5/1935	Hildenbrand	210/303
2,162,853	A *	6/1939	Massey	229/5.5
D203,629	S *	2/1966	Brock	D9/780
3,888,228	A *	6/1975	Koivunen	123/196 R
4,147,269	A *	4/1979	Werts	220/565
D265,548	S *	7/1982	Brundige et al.	D9/780
4,480,598	A *	11/1984	Berrigan	123/41.27
D296,190	S *	6/1988	Blasco, Sr.	D9/557
D316,897	S *	5/1991	Burger et al.	D24/232
D320,837	S *	10/1991	Loefke et al.	D23/205
D401,188	S *	11/1998	Shickle	D12/114
D417,614	S *	12/1999	Chu	D9/711
D450,714	S *	11/2001	Gaylord	D15/5
6,488,002	B1 *	12/2002	Vernhes	123/196 R
D515,006	S *	2/2006	Hawkinberry	D12/218

D532,359	S *	11/2006	Simpson	D12/218
D537,711	S *	3/2007	Limber	D9/428
2003/0037775	A1 *	2/2003	Gokan	123/572
2006/0060174	A1 *	3/2006	Ashida	123/572
2006/0124099	A1 *	6/2006	Richards	123/196 R

* cited by examiner

Primary Examiner—Jeffrey Asch

Assistant Examiner—Maurice Stevens

(74) *Attorney, Agent, or Firm*—Edwin H. Crabtree; Ramon L. Pizarro

(57) **CLAIM**

The ornamental design for an oil tank with transparent sides, as shown and described.

DESCRIPTION

FIG. 1 is a perspective view of the subject oil tank with transparent sides illustrating my new design;

FIG. 2 is an end view of the oil tank with transparent sides;

FIG. 3 is an opposite end view of the oil tank with transparent sides;

FIG. 4 is a bottom view of the oil tank with transparent sides;

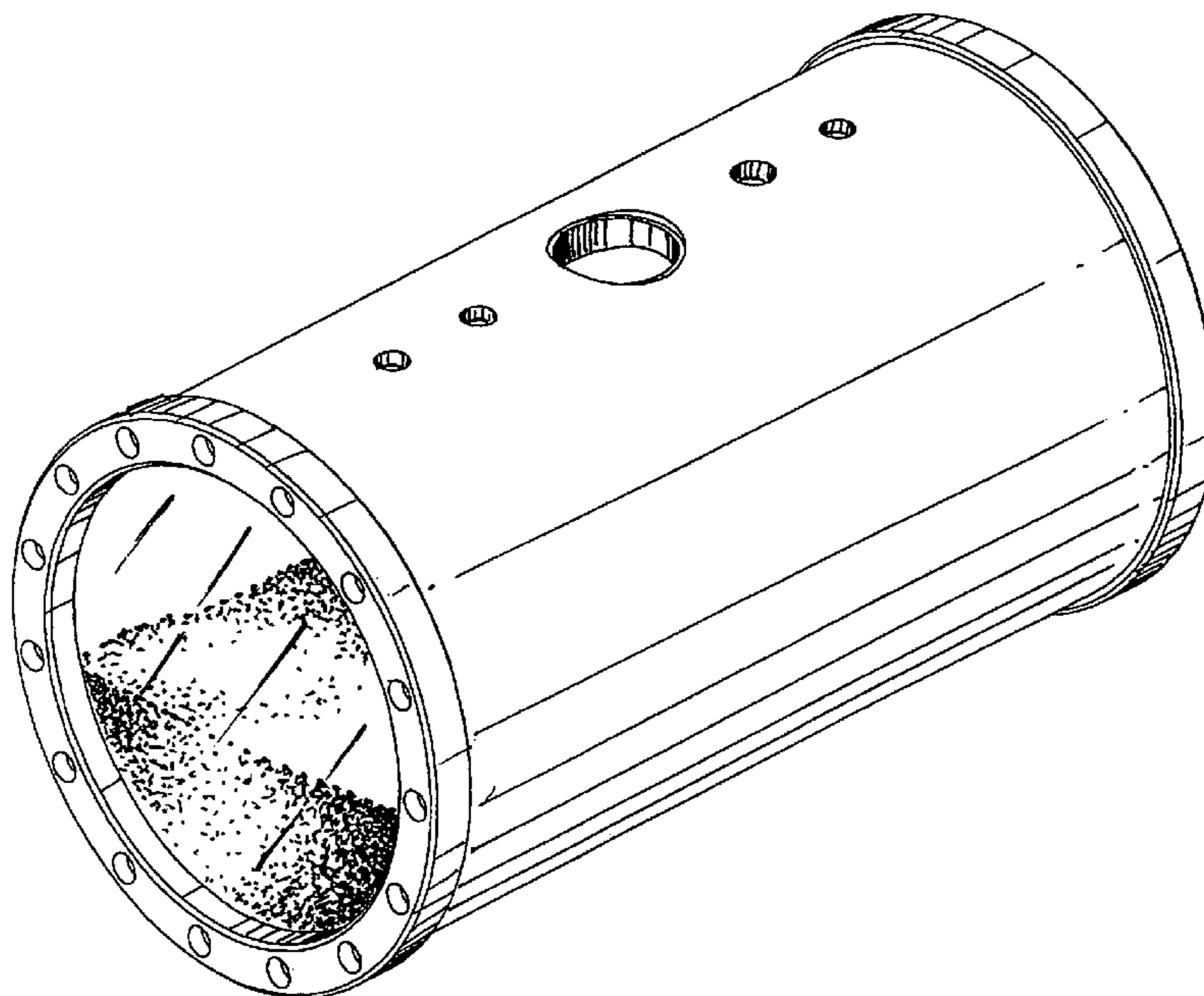
FIG. 5 is a top view of the oil tank with transparent sides;

FIG. 6 is a side view of the oil tank with transparent sides; and,

FIG. 7 is opposite side view of the oil tank with transparent sides.

The broken lines and stippled shading, which define the oil level in FIGS. 1—3 are for illustrative purposes only and form no part of the claimed design.

1 Claim, 6 Drawing Sheets



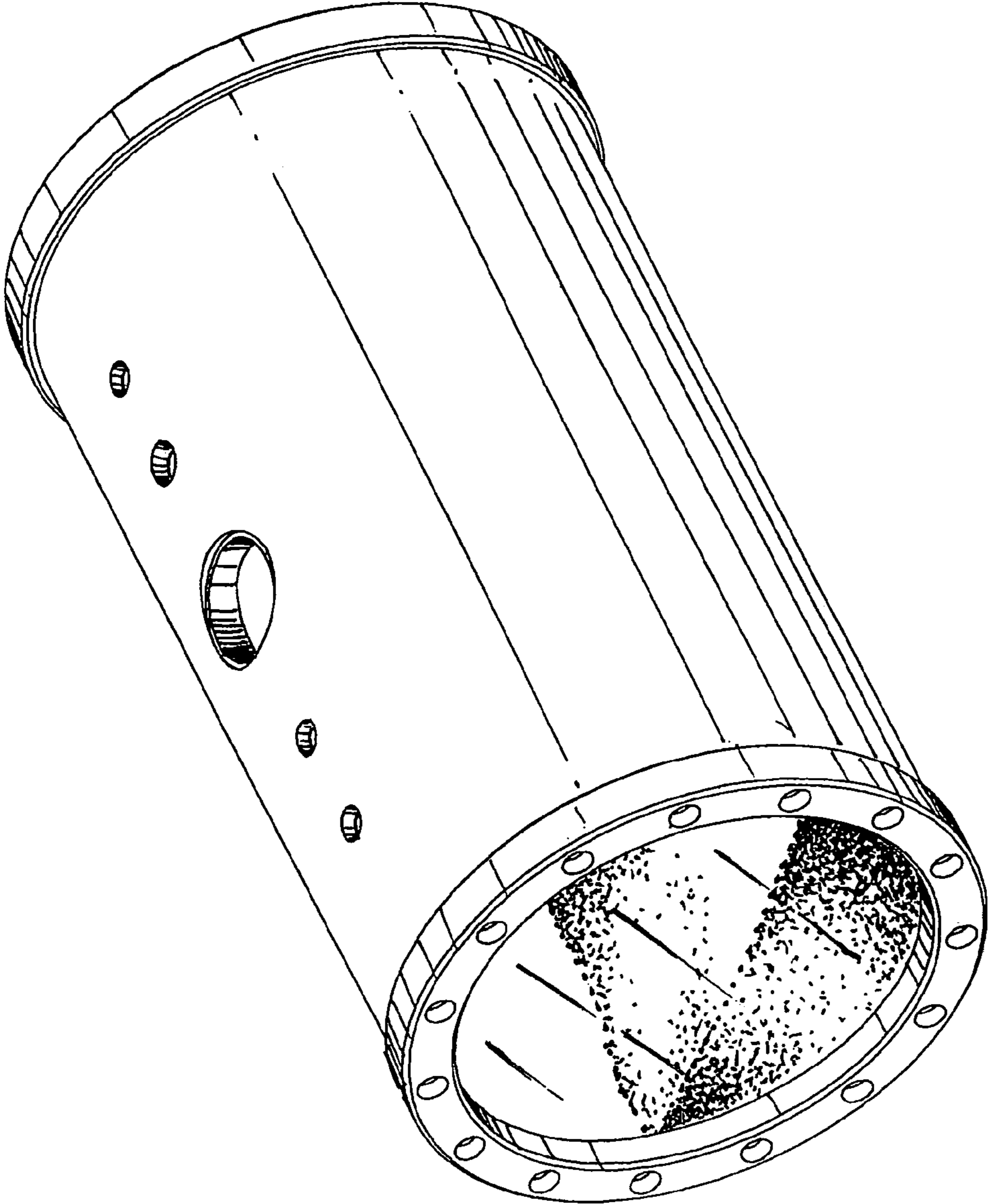


FIG. 1

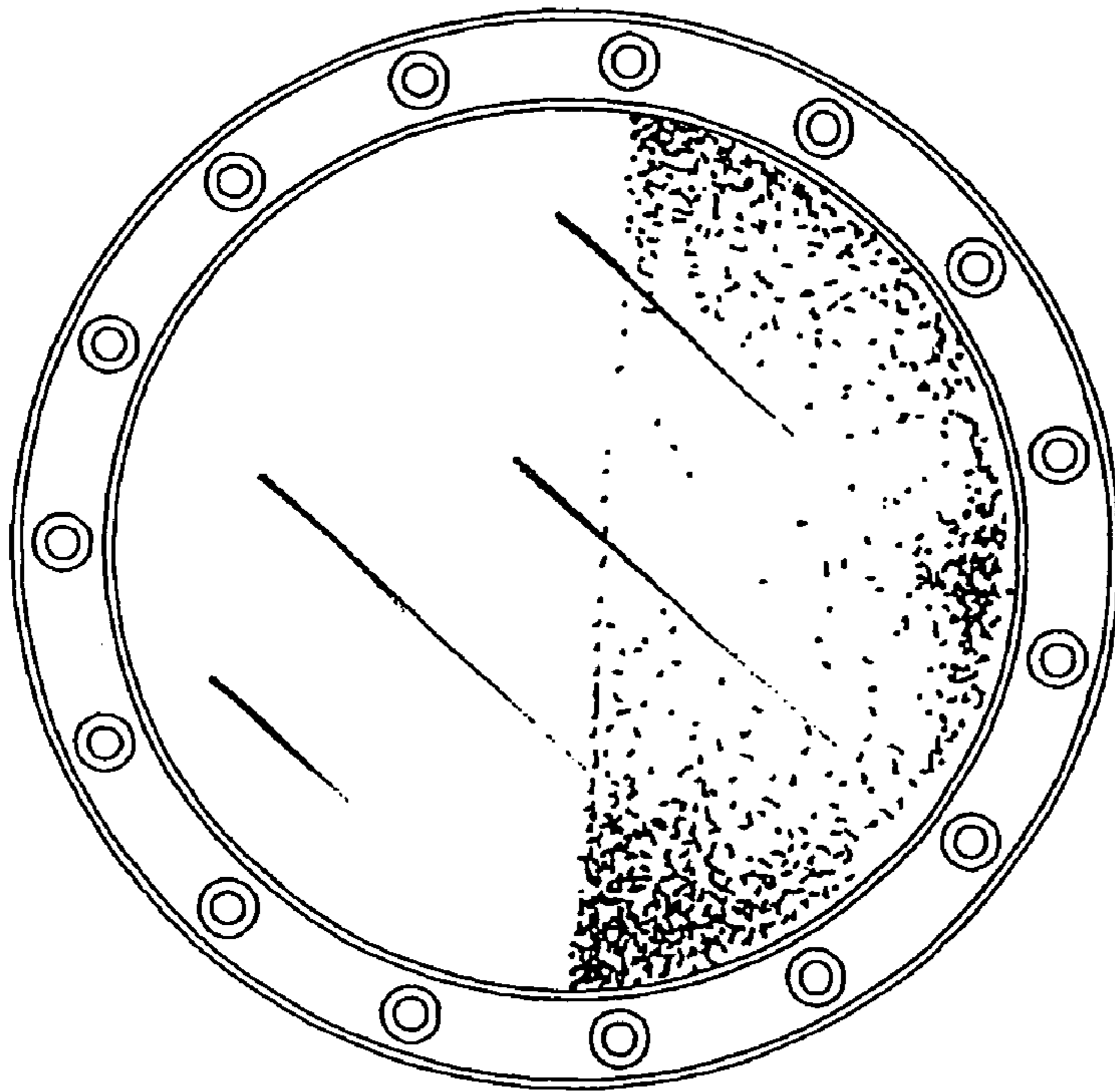


FIG. 2

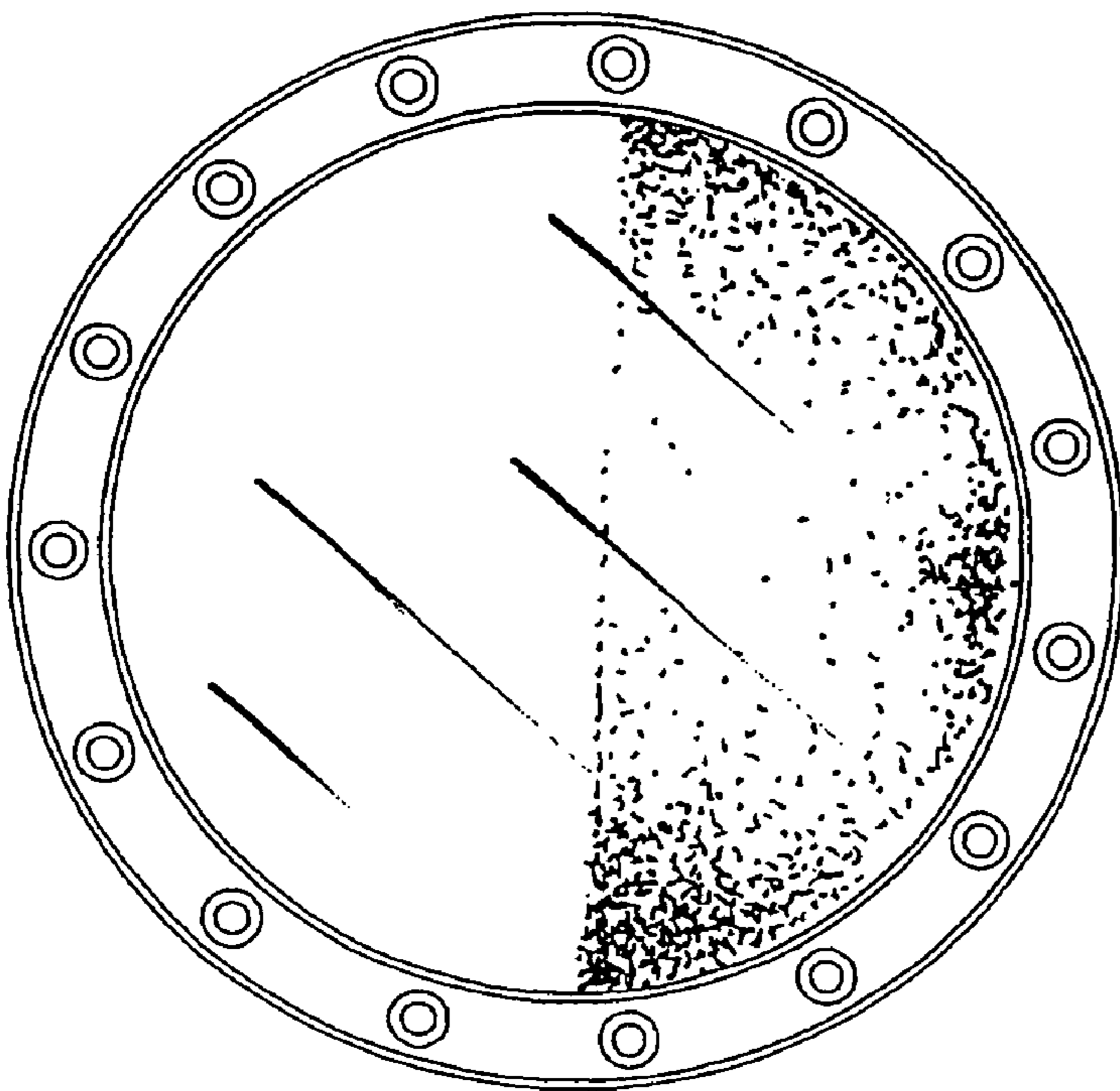


FIG. 3

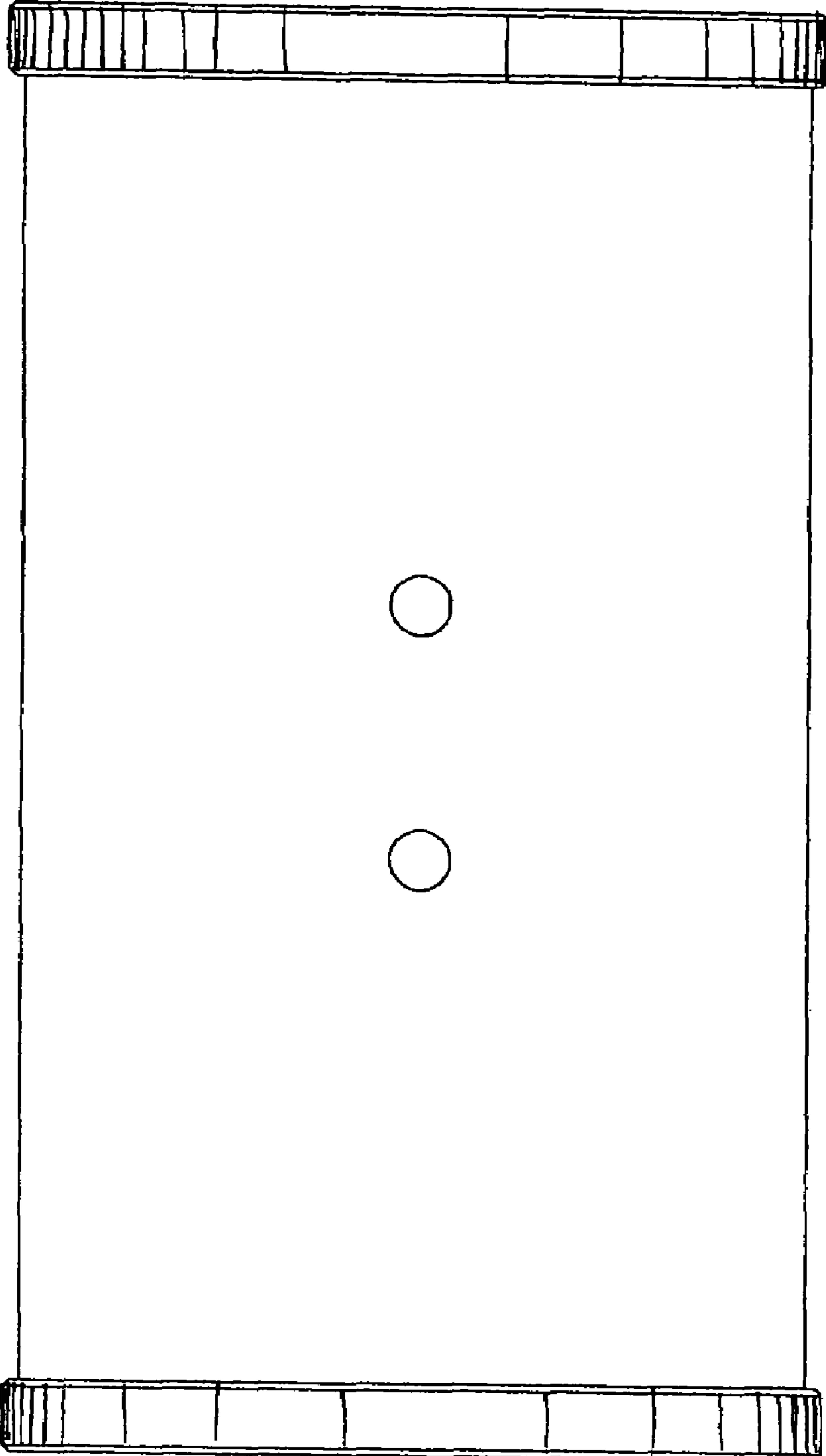


FIG. 4

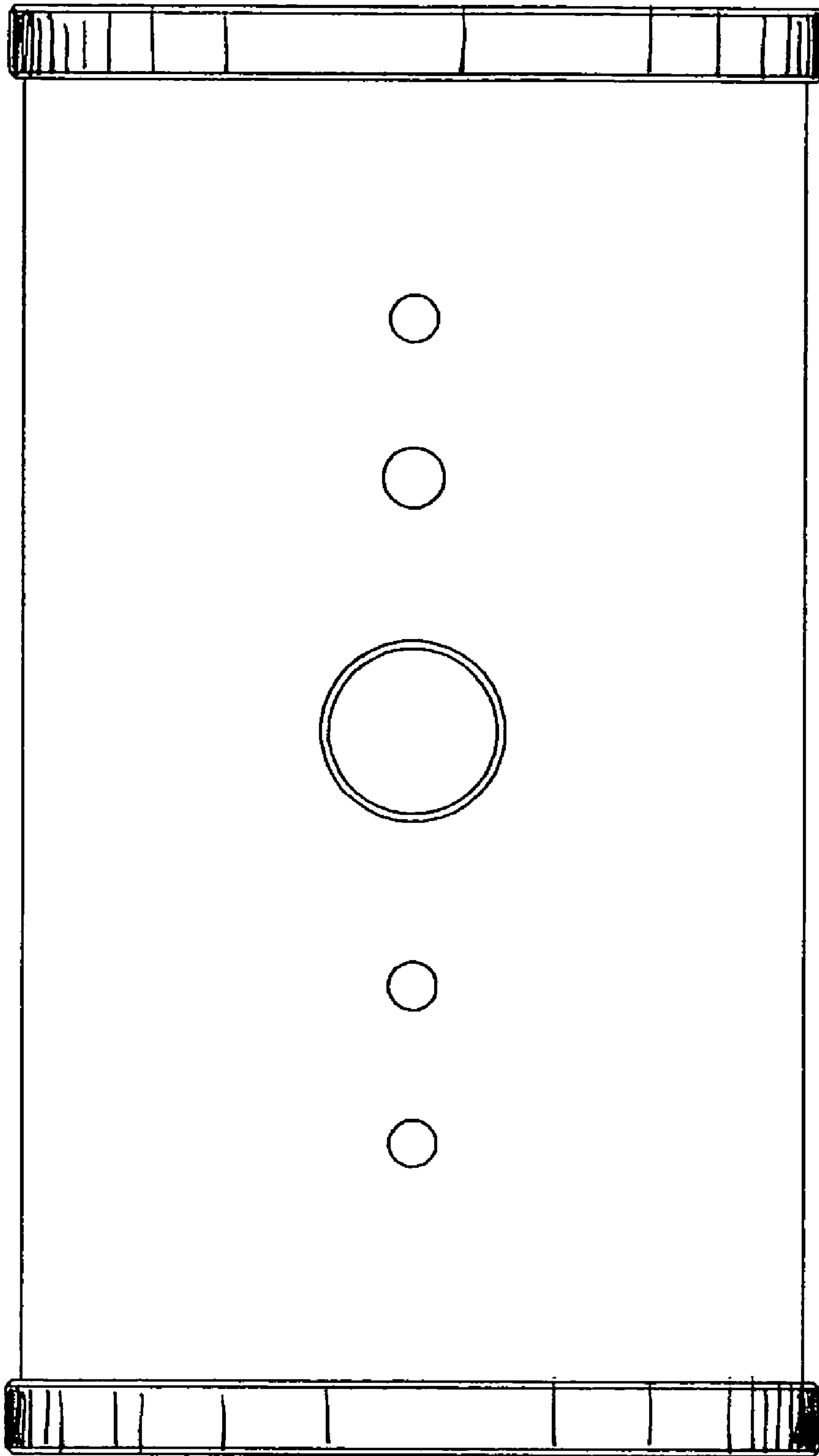


FIG. 5

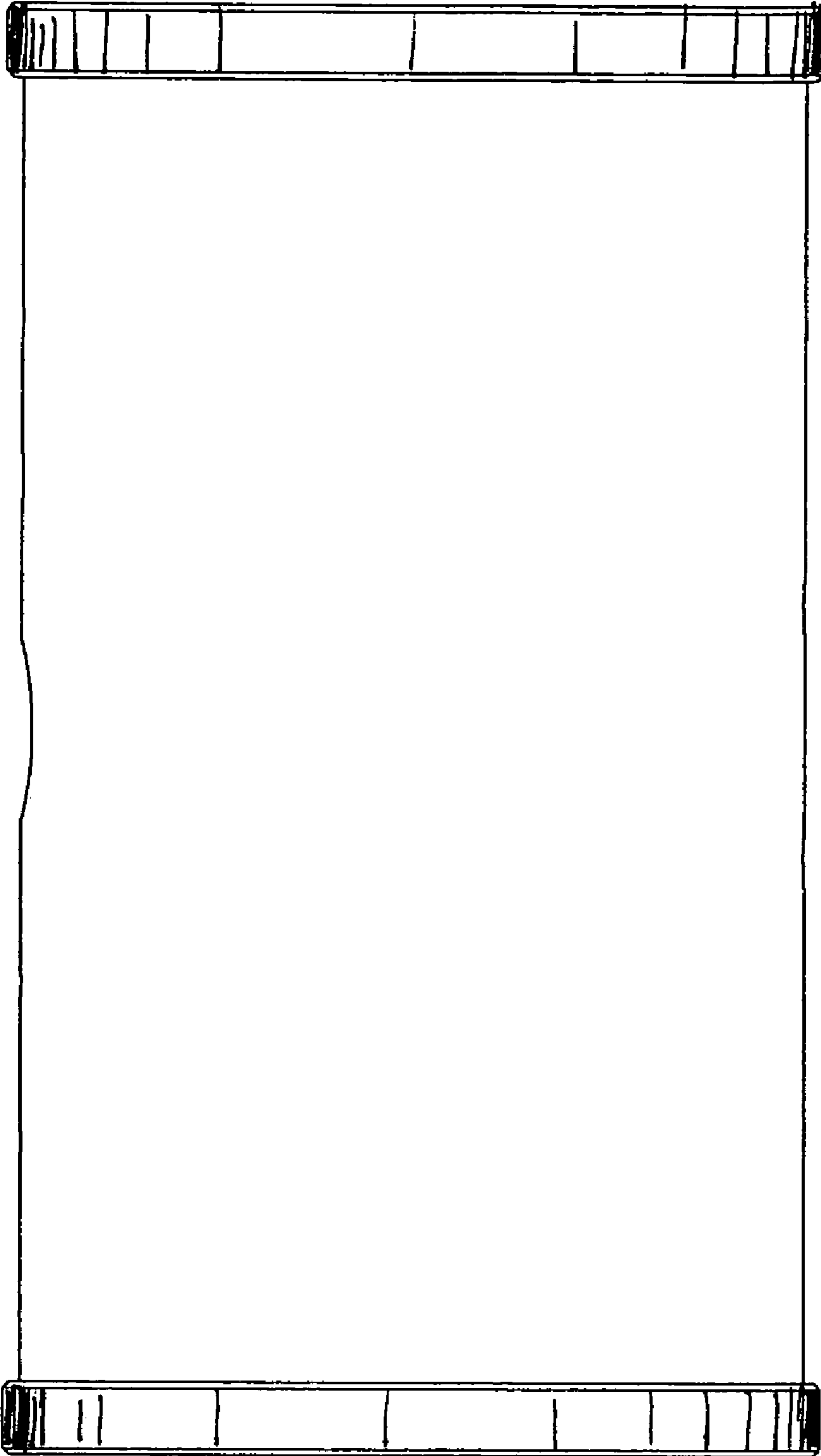


FIG. 6.

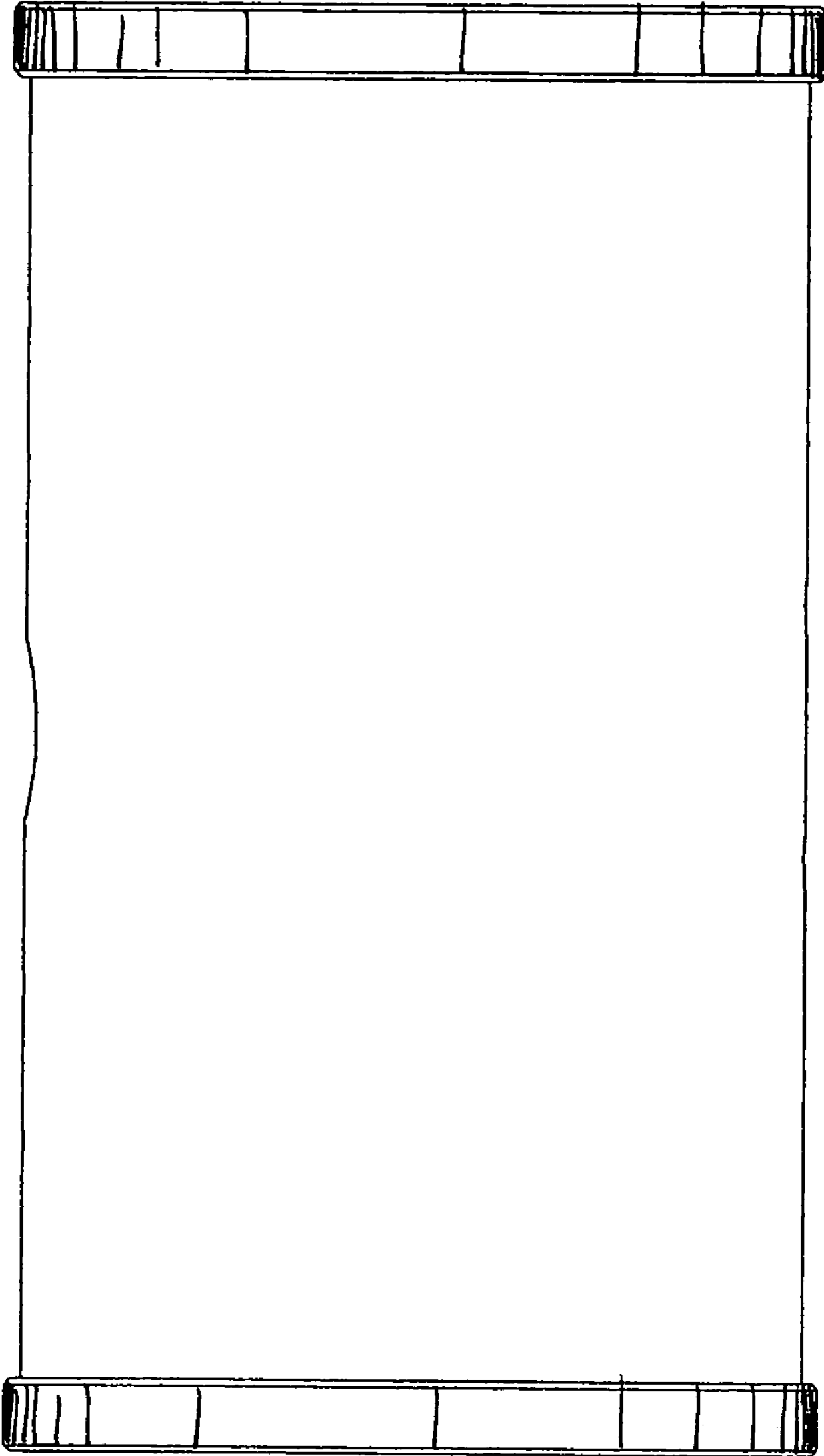


FIG. 7