



US00D555064S

(12) **United States Design Patent**
Danbom

(10) **Patent No.:** **US D555,064 S**

(45) **Date of Patent:** **** Nov. 13, 2007**

(54) **GOLF CART WHEEL COVER**

(75) **Inventor:** **Jeffrey Dean Danbom**, Arnolds Park, IA (US)

(73) **Assignee:** **Cycle Country Accessories Corporation**, Spencer, IA (US)

(**) **Term:** **14 Years**

(21) **Appl. No.:** **29/285,934**

(22) **Filed:** **Apr. 17, 2007**

(51) **LOC (8) Cl.** **12-16**

(52) **U.S. Cl.** **D12/204; D12/210**

(58) **Field of Classification Search** **D12/204-213; 301/37.101, 64.101, 65, 64.201; D34/15**
See application file for complete search history.

(56) **References Cited**

U.S. PATENT DOCUMENTS

D300,526 S * 4/1989 Gilliam D12/210
D361,975 S * 9/1995 Weld D12/210
D492,925 S * 7/2004 Fitzgerald D12/210

D492,926 S * 7/2004 Fitzgerald D21/210
D502,678 S * 3/2005 Weld D12/210
D539,203 S * 3/2007 Danbom et al. D12/204

* cited by examiner

Primary Examiner—Stacia Cadmus

(74) *Attorney, Agent, or Firm*—Thomte Law Office; Dennis L. Thomte

(57) **CLAIM**

The ornamental design for a golf cart wheel cover, as shown and described.

DESCRIPTION

FIG. 1 is a front perspective view of the golf cart wheel cover of this invention;

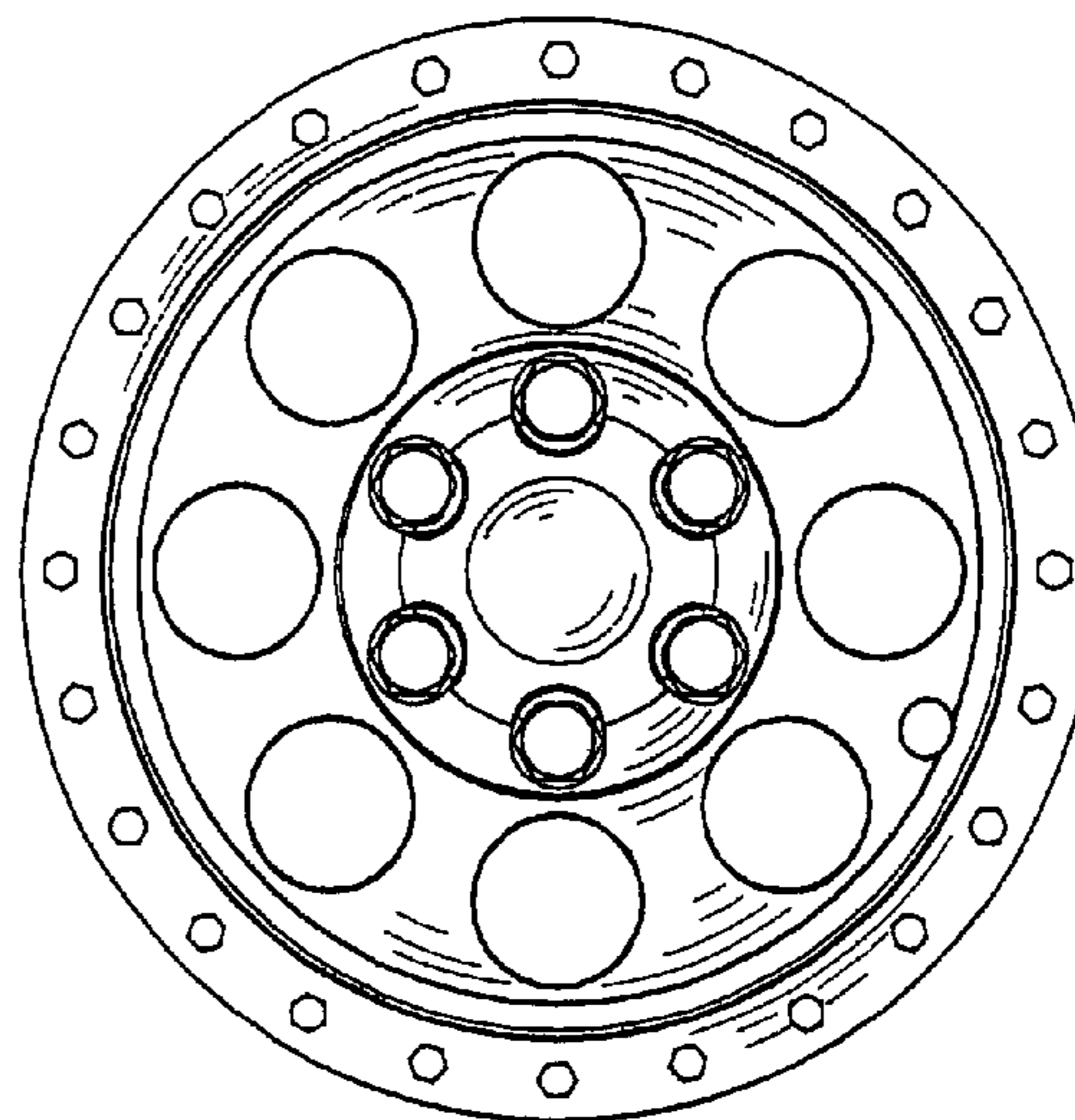
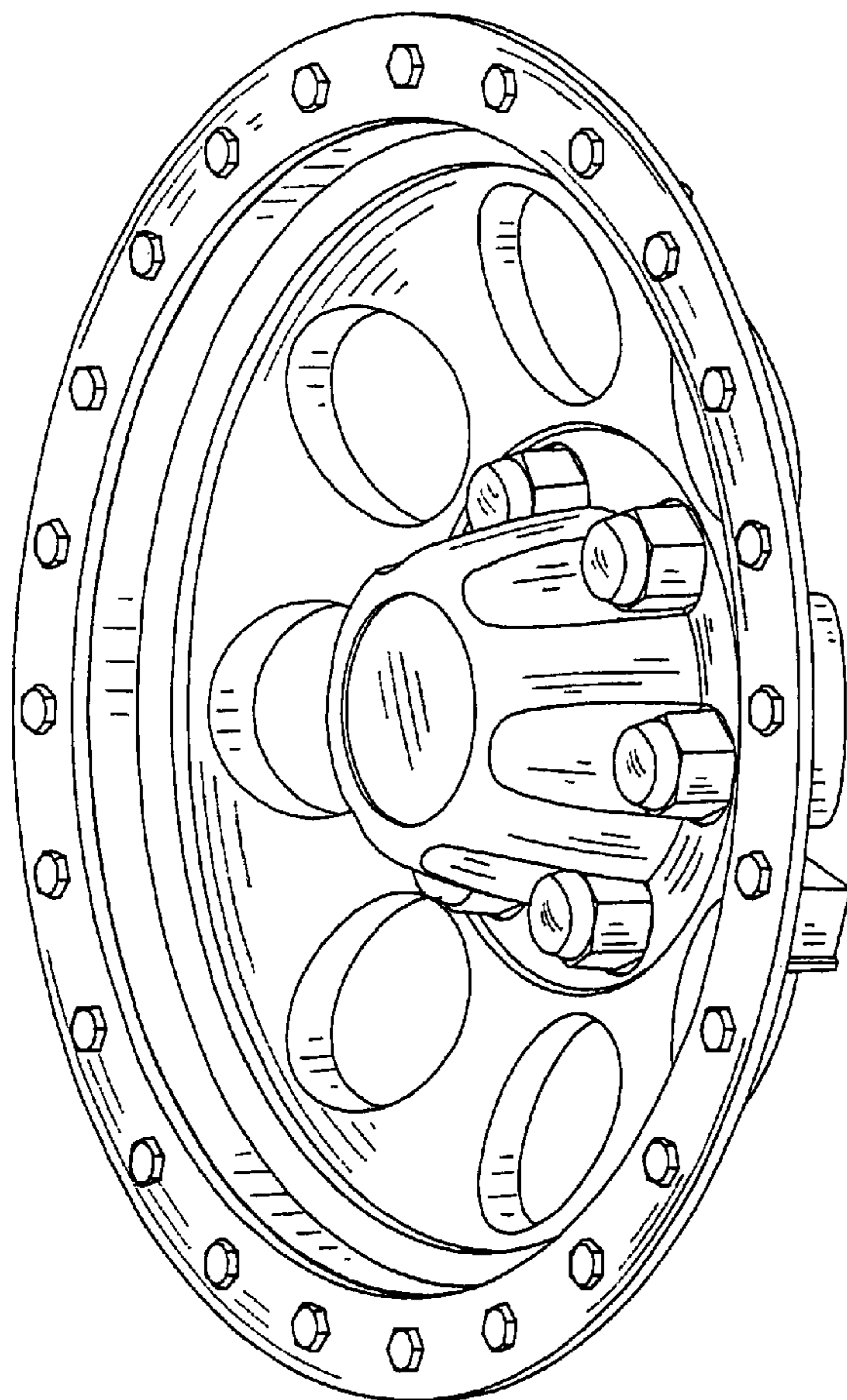
FIG. 2 is a front view of the wheel cover of FIG. 1;

FIG. 3 is a side view of the wheel cover of FIG. 1; and,

FIG. 4 is a back view of the wheel cover of FIG. 1.

The golf cart wheel cover is shown on a reduced scale in FIGS. 2-4.

1 Claim, 2 Drawing Sheets



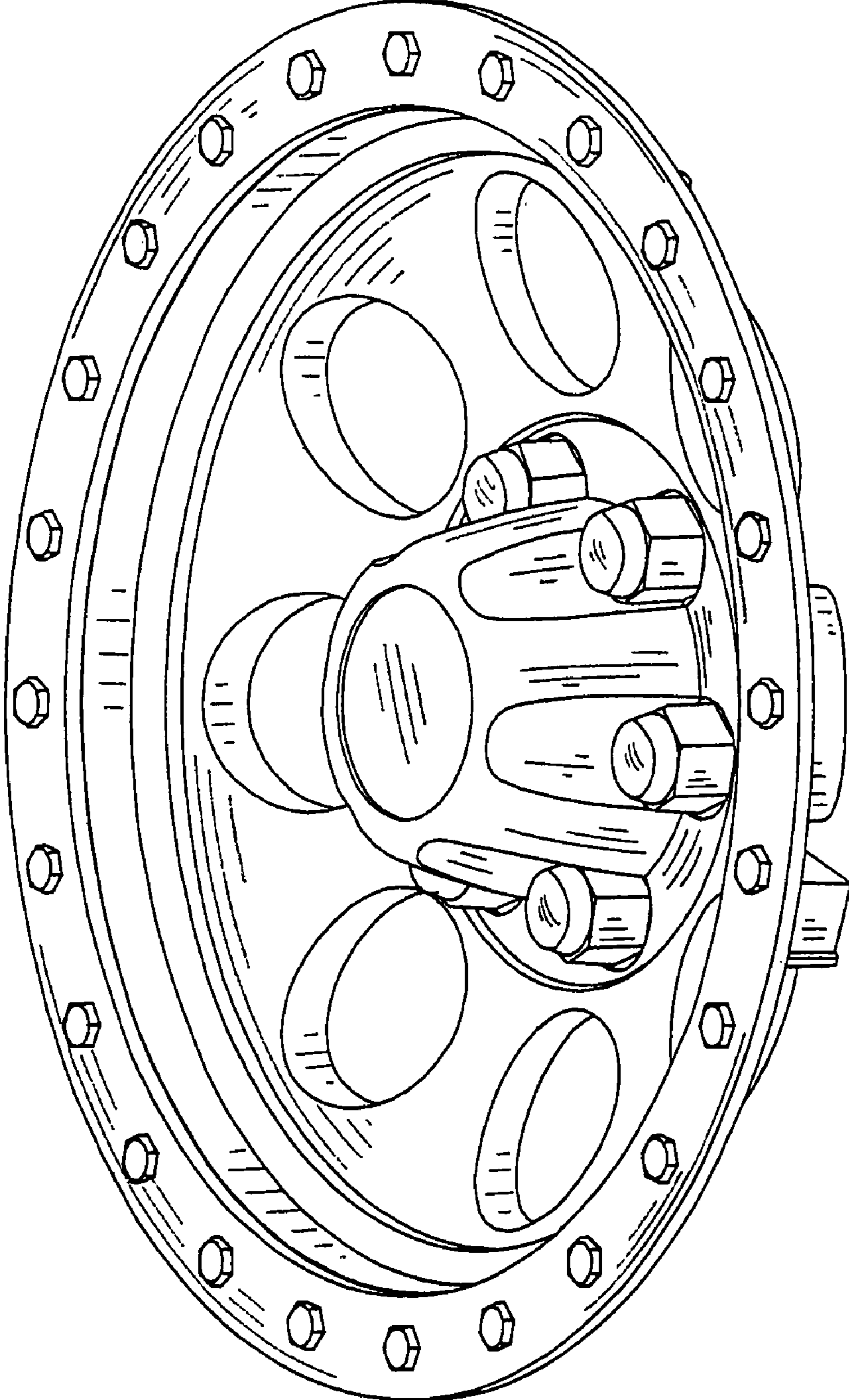


FIG. 1

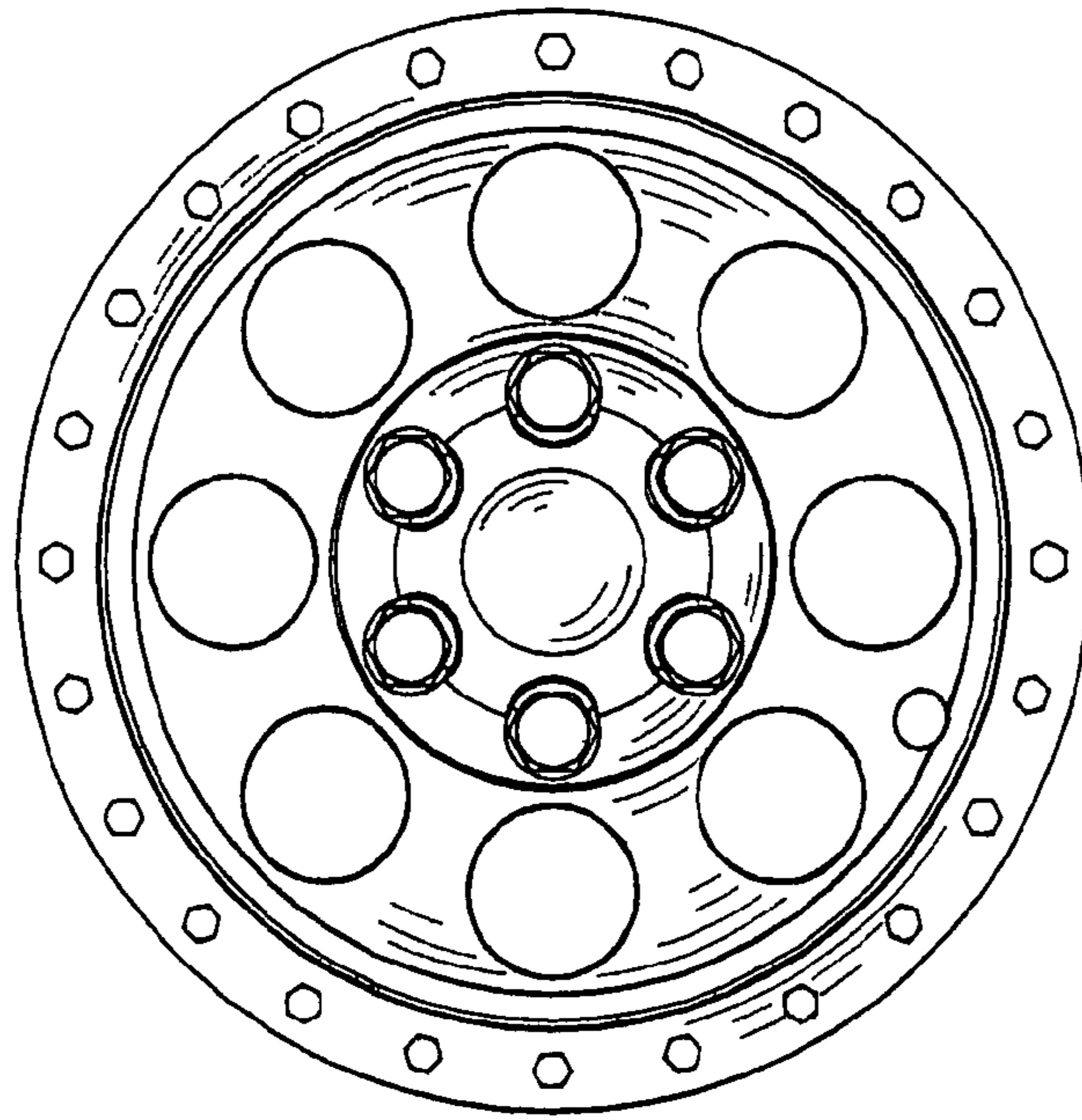


FIG. 2

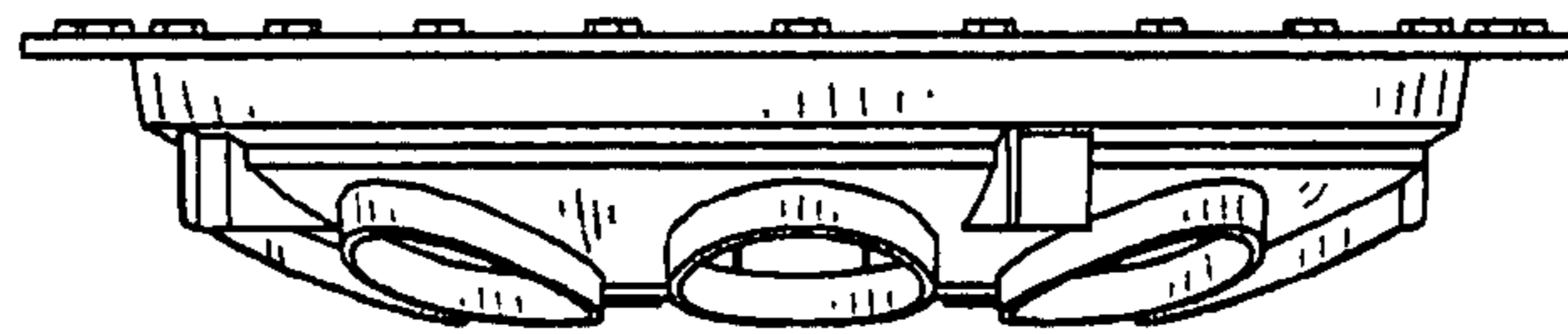


FIG. 3

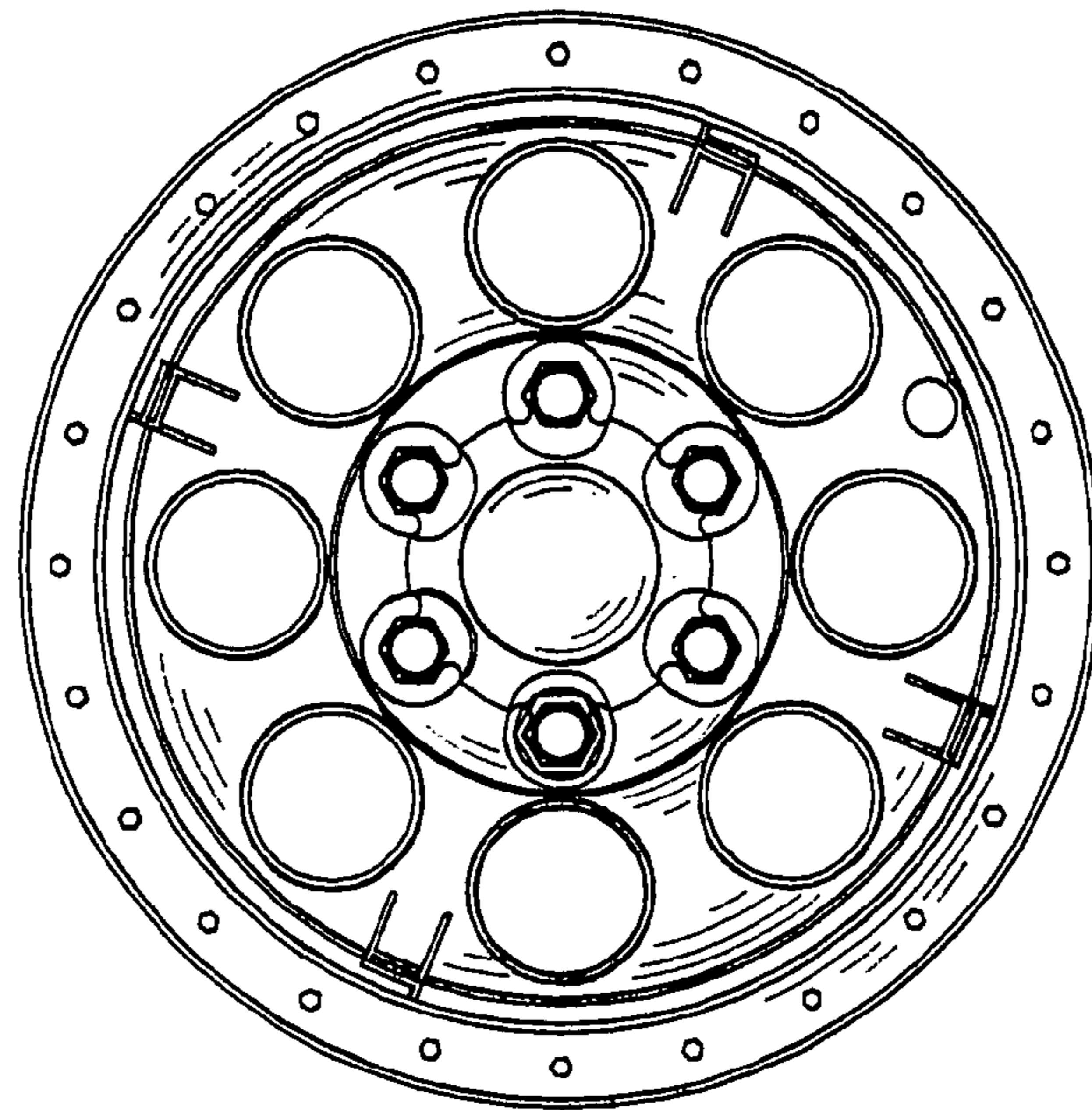


FIG. 4