



US00D555063S

(12) **United States Design Patent**
Davidson

(10) **Patent No.:** **US D555,063 S**

(45) **Date of Patent:** **** Nov. 13, 2007**

(54) **PORTION OF A VEHICLE EXTERIOR**

D508,438 S * 8/2005 Tanaka et al. D12/92

D517,949 S * 3/2006 Nielander et al. D12/92

(75) Inventor: **Benjamin R. Davidson**, Redondo Beach, CA (US)

(73) Assignee: **Honda Motor Co., Ltd.**, Tokyo (JP)

* cited by examiner

(**) Term: **14 Years**

Primary Examiner—Melody N. Brown

(21) Appl. No.: **29/275,578**

(74) *Attorney, Agent, or Firm*—Plumsea Law Group, LLC

(22) Filed: **Dec. 29, 2006**

(57) **CLAIM**

Related U.S. Application Data

The ornamental design for a portion of a vehicle exterior, as shown and described.

(63) Continuation of application No. 29/250,653, filed on Nov. 27, 2006, and a continuation of application No. 29/250,656, filed on Nov. 27, 2006.

DESCRIPTION

(51) **LOC (8) Cl.** **12-16**

(52) **U.S. Cl.** **D12/196; D12/164**

(58) **Field of Classification Search** D12/90–92, D12/164, 196; 296/181.1

See application file for complete search history.

FIG. 1 is a perspective view of a portion of a vehicle exterior showing my new design;

FIG. 2 is a side elevational view, the opposite side elevational view being a mirror image thereof;

FIG. 3 is a rear elevational view thereof; and,

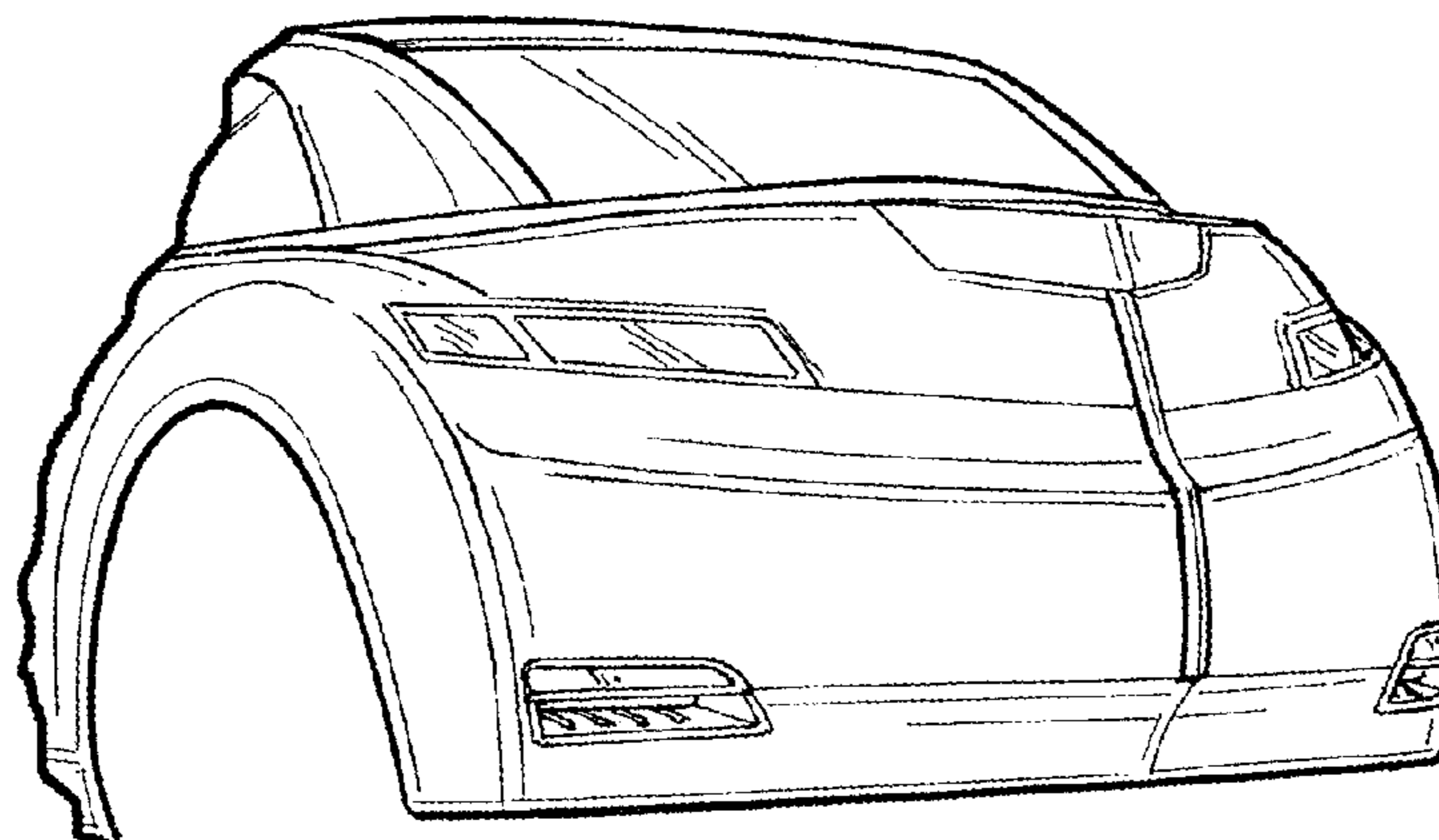
FIG. 4 is a top plan view thereof.

(56) **References Cited**

U.S. PATENT DOCUMENTS

D494,891 S * 8/2004 Hoelzel et al. D12/92

1 Claim, 2 Drawing Sheets



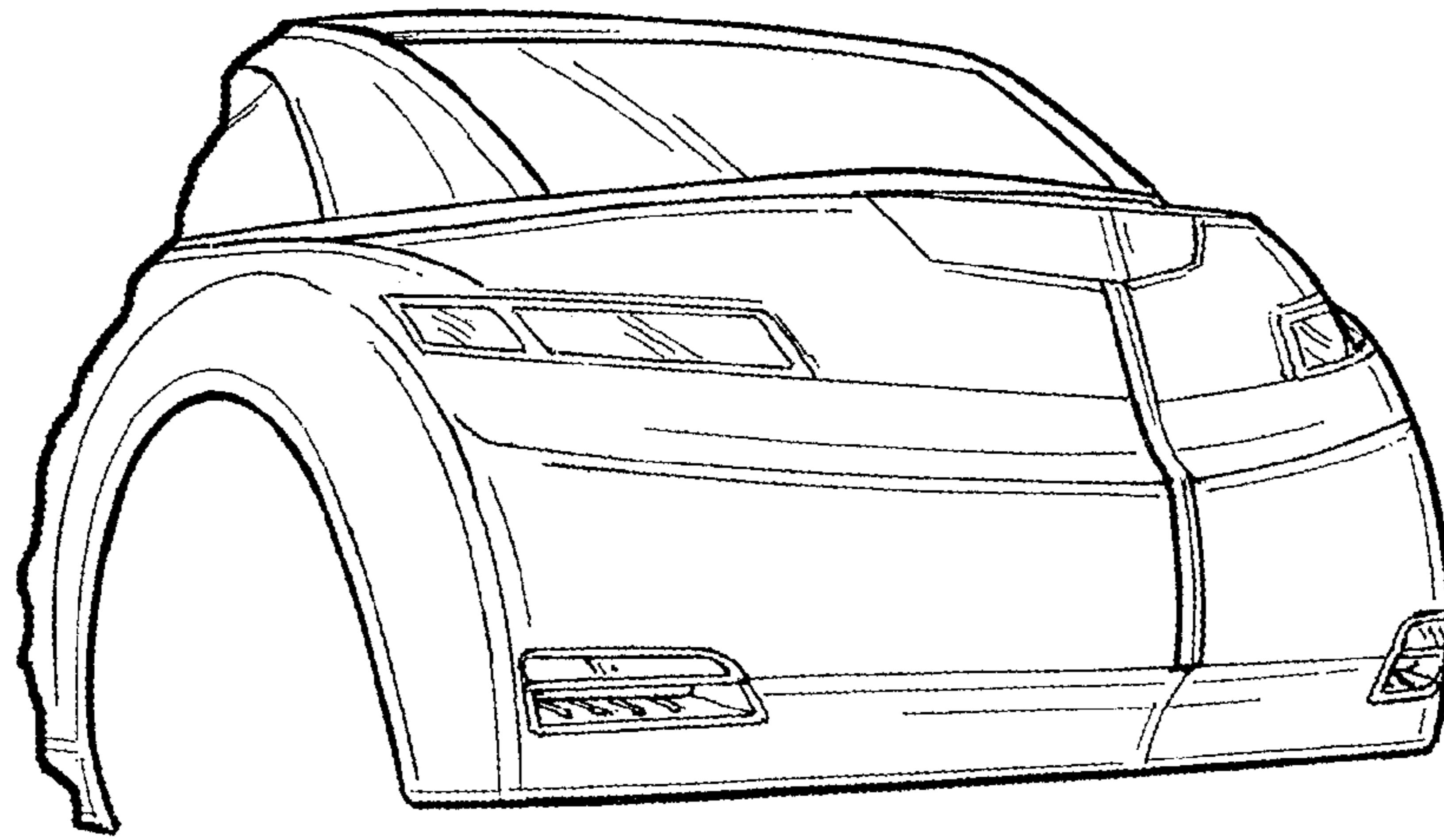


FIG. 1

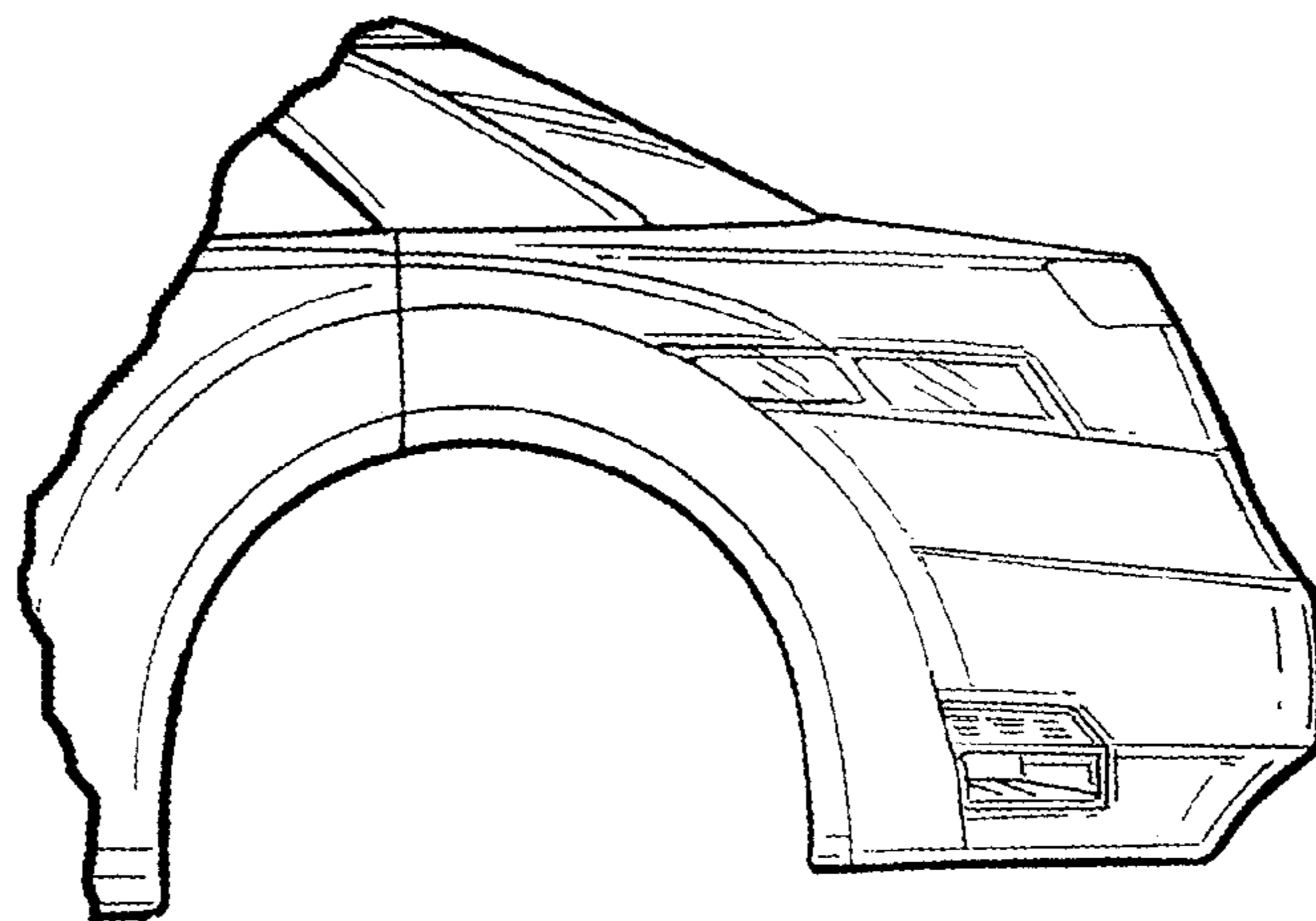


FIG. 2

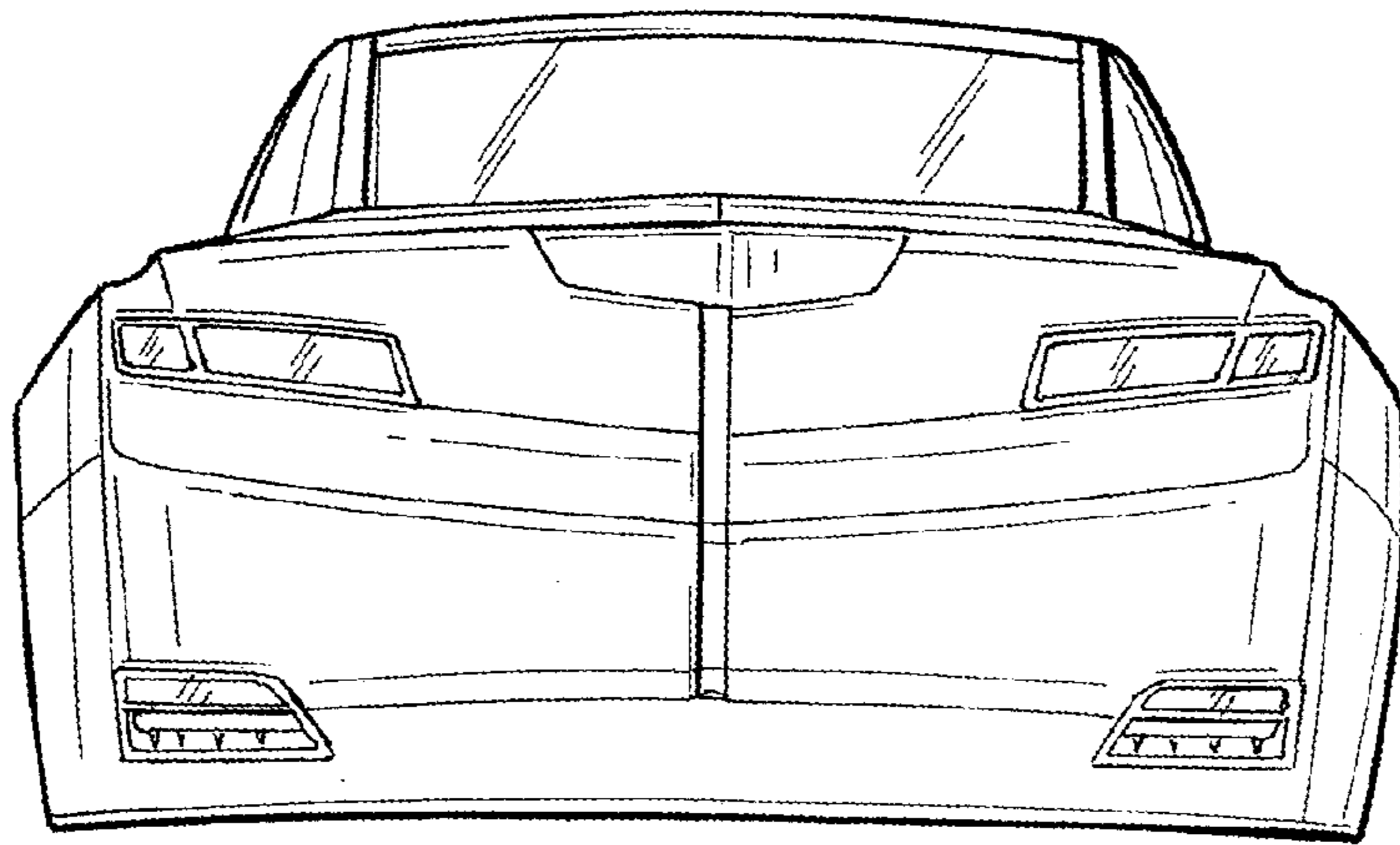


FIG. 3

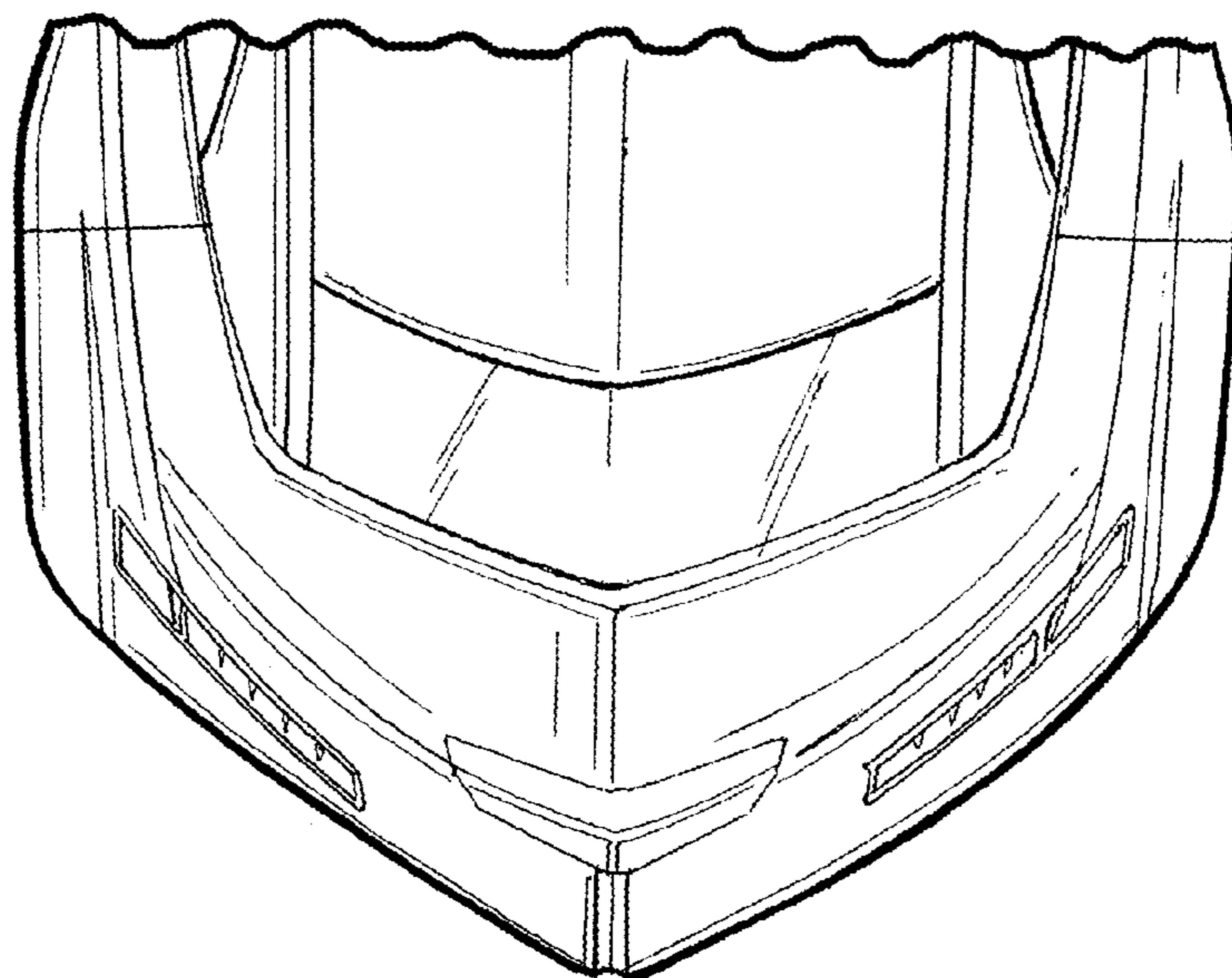


FIG. 4