



US00D555062S

(12) **United States Design Patent**  
**Davidson**

(10) **Patent No.:** **US D555,062 S**

(45) **Date of Patent:** **\*\* Nov. 13, 2007**

(54) **PORTION OF A VEHICLE EXTERIOR**

D508,438 S \* 8/2005 Tanaka et al. .... D12/92

D517,949 S \* 3/2006 Nielander et al. .... D12/92

D531,946 S \* 11/2006 Angelo et al. .... D12/196

(75) Inventor: **Benjamin R. Davidson**, Redondo Beach, CA (US)

(73) Assignee: **Honda Motor Co., Ltd.**, Tokyo (JP)

(\*\*) Term: **14 Years**

(21) Appl. No.: **29/275,577**

(22) Filed: **Dec. 29, 2006**

\* cited by examiner

*Primary Examiner*—Melody N. Brown

(74) *Attorney, Agent, or Firm*—Plumsea Law Group, LLC

**Related U.S. Application Data**

(63) Continuation of application No. 29/250,653, filed on Nov. 27, 2006, and a continuation of application No. 29/250,656, filed on Nov. 27, 2006.

(51) **LOC (8) Cl.** ..... **12-16**

(52) **U.S. Cl.** ..... **D12/196**

(58) **Field of Classification Search** ..... D12/90–92,  
D12/164, 196; 296/181.1  
See application file for complete search history.

(56) **References Cited**

**U.S. PATENT DOCUMENTS**

D494,891 S \* 8/2004 Hoelzel et al. .... D12/92

(57) **CLAIM**

The ornamental design for a portion of a vehicle exterior, as shown and described.

**DESCRIPTION**

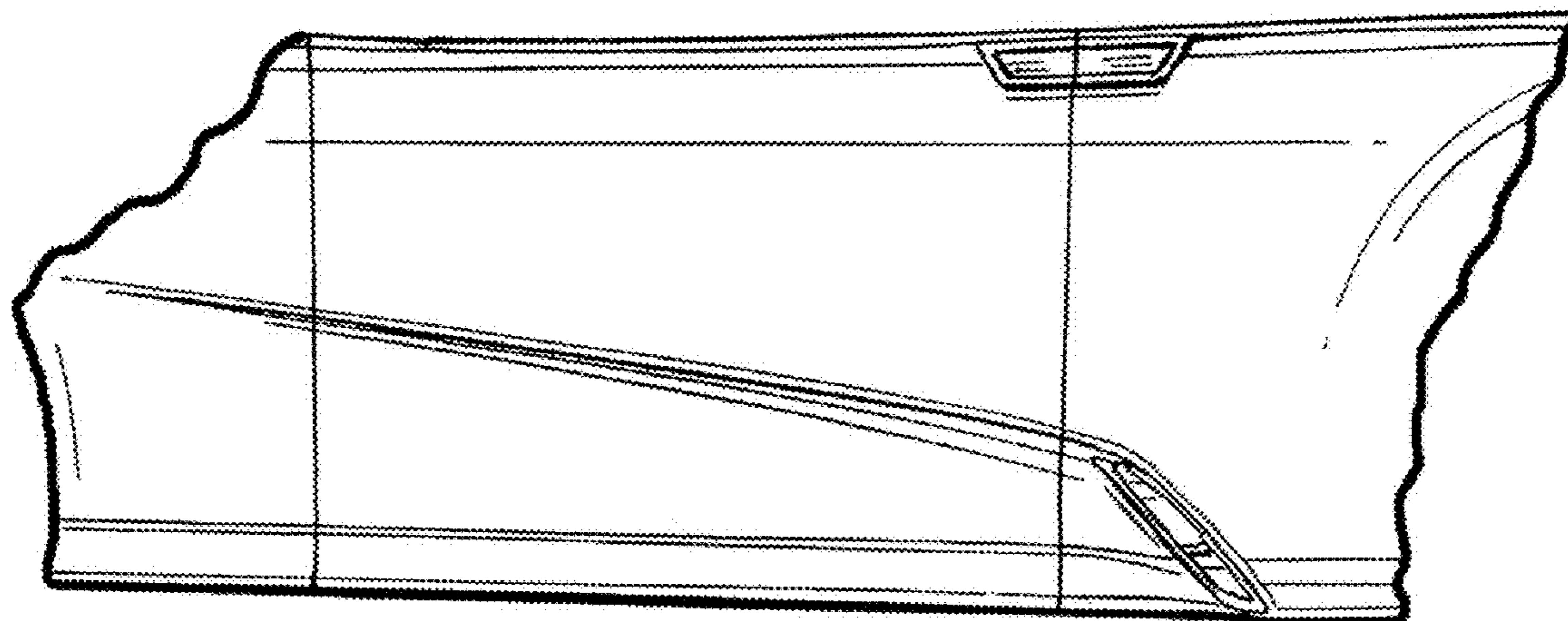
FIG. 1 is a front perspective view of a portion of a vehicle exterior showing my new design;

FIG. 2 is a rear perspective view thereof; and,

FIG. 3 is a front elevational view thereof.

The jagged heavy lines denote the boundaries of the claimed design and form no part of the claimed design.

**1 Claim, 2 Drawing Sheets**



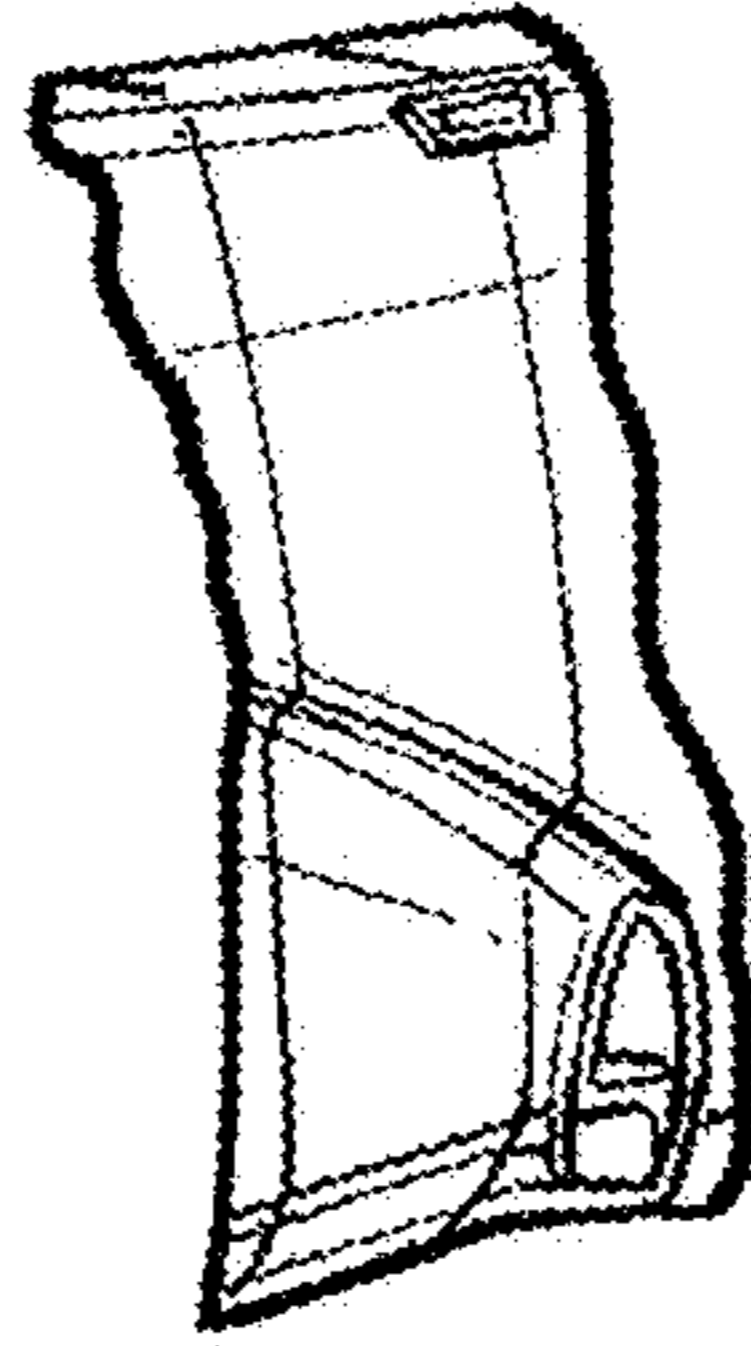


FIG. 1

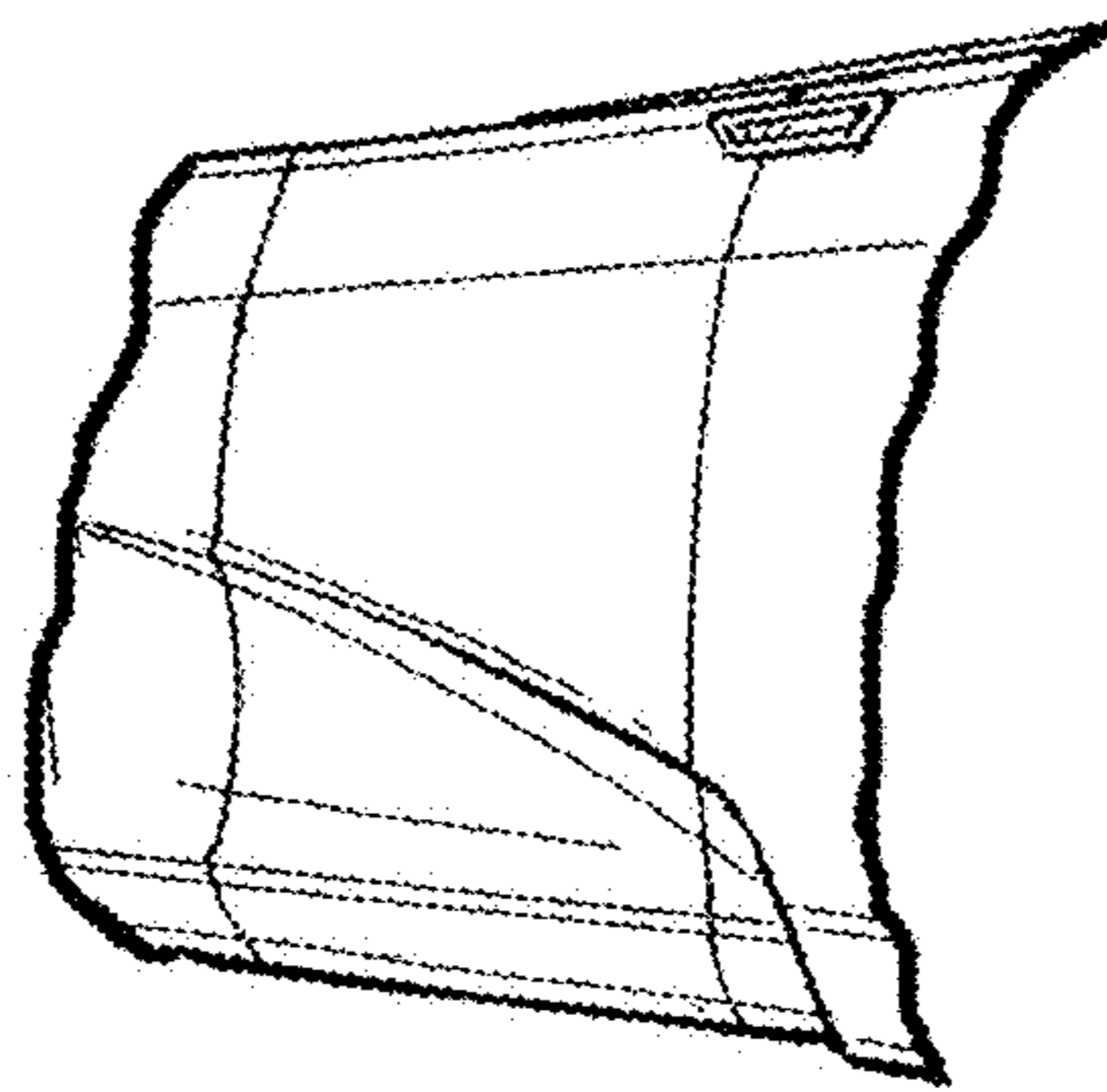


FIG. 2

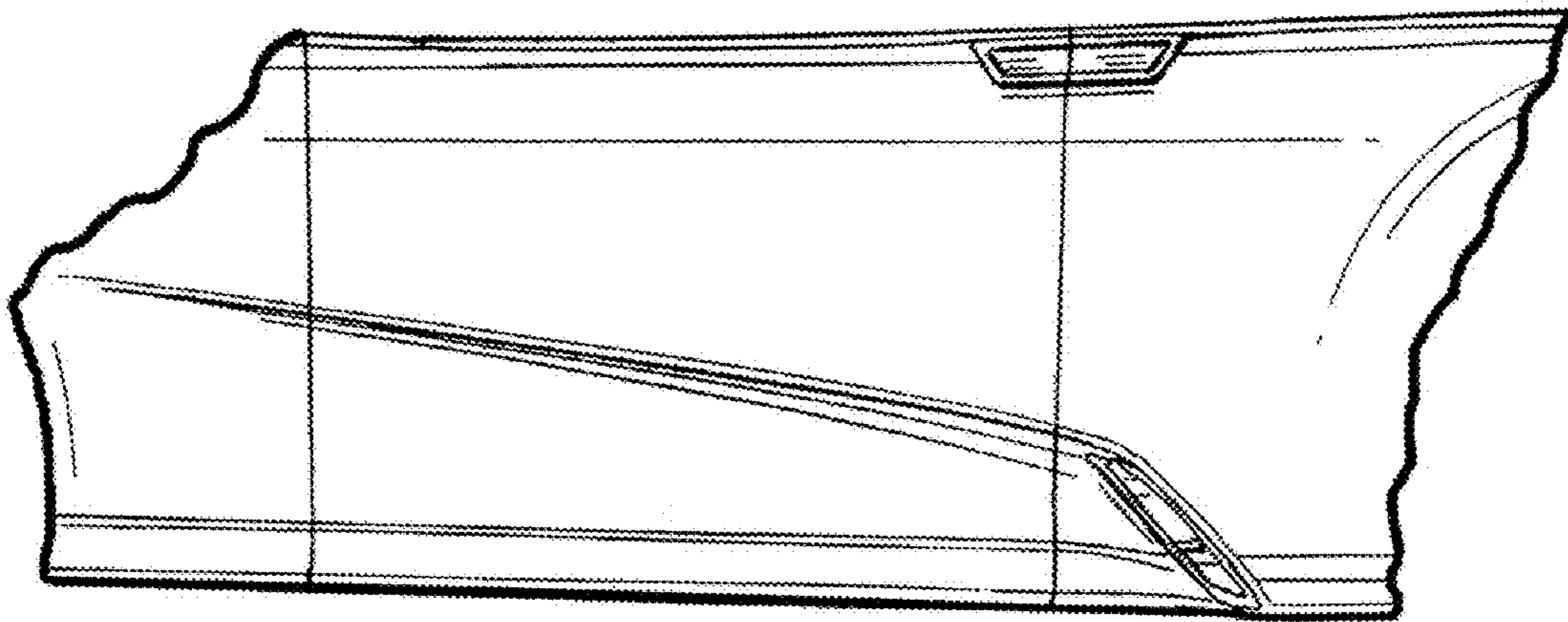


FIG. 3