



US00D555050S

(12) **United States Design Patent**
Hanamura

(10) **Patent No.:** **US D555,050 S**

(45) **Date of Patent:** **** Nov. 13, 2007**

(54) **FRONT DERAILLEUR FOR A BICYCLE**

(75) Inventor: **Junichi Hanamura**, Osaka (JP)

(73) Assignee: **Shimano Inc.**, Osaka (JP)

(**) Term: **14 Years**

(21) Appl. No.: **29/259,848**

(22) Filed: **May 17, 2006**

(30) **Foreign Application Priority Data**

Dec. 16, 2005 (EM) 000450424-0001/0008

(51) **LOC (8) Cl.** **12-11**

(52) **U.S. Cl.** **D12/124**

(58) **Field of Classification Search** D12/111,
D12/124; 474/78-82, 140

See application file for complete search history.

(56) **References Cited**

U.S. PATENT DOCUMENTS

- 5,104,358 A * 4/1992 Kobayashi 474/82
- 6,146,298 A * 11/2000 Nanko 474/80
- 6,641,495 B2 * 11/2003 Valle 474/80

* cited by examiner

Primary Examiner—Alan P. Douglas

Assistant Examiner—Linda Brooks

(74) *Attorney, Agent, or Firm*—Global IP Counselors, LLP

(57) **CLAIM**

The ornamental design for a front derailleur for a bicycle, as shown and described.

DESCRIPTION

FIG. 1 is a perspective view of a front derailleur for a bicycle in accordance with my new design;

FIG. 2 is an outside elevational view of the front derailleur for a bicycle in accordance with my new design;

FIG. 3 is an inside elevational view of the front derailleur for a bicycle in accordance with my new design;

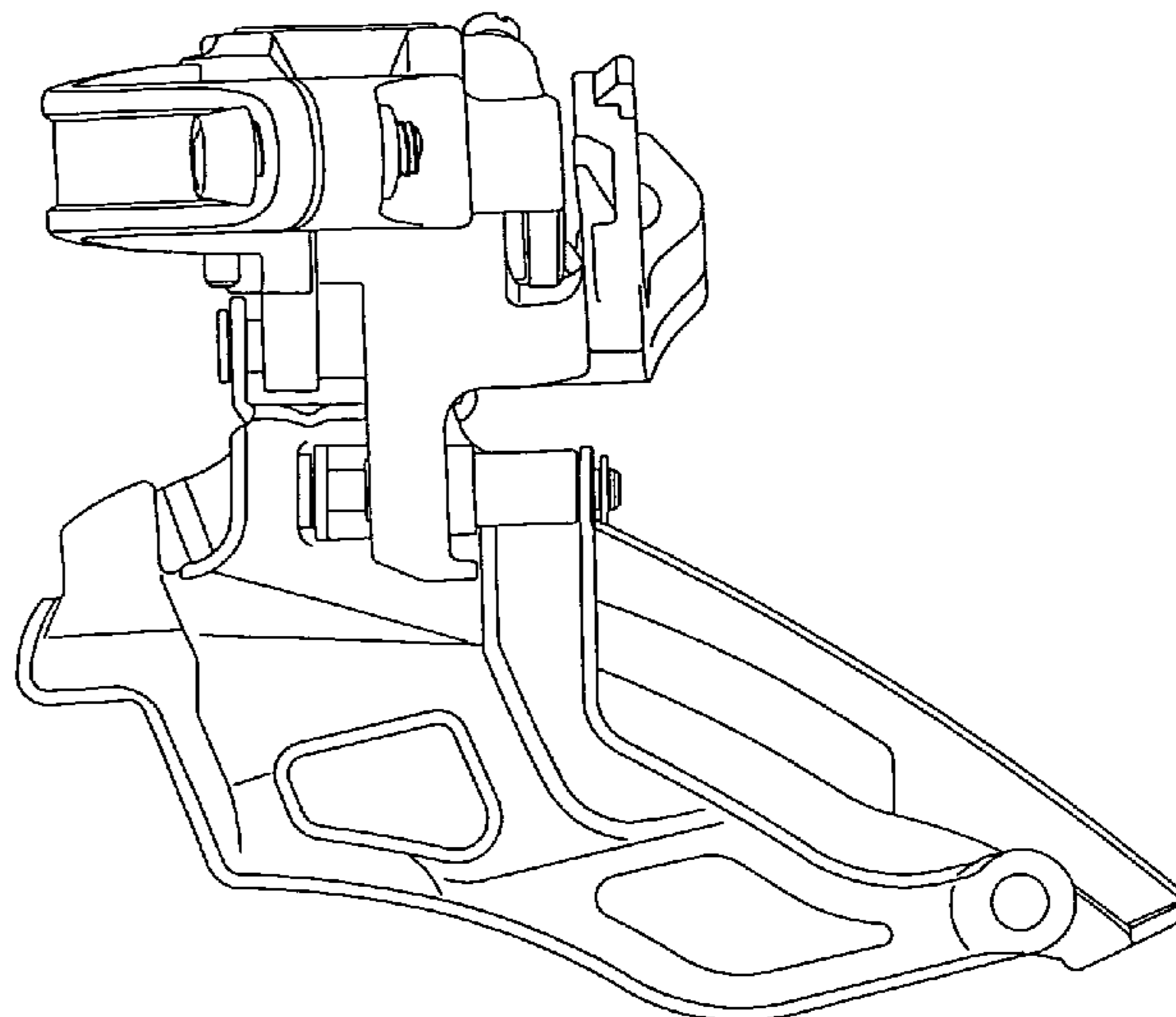
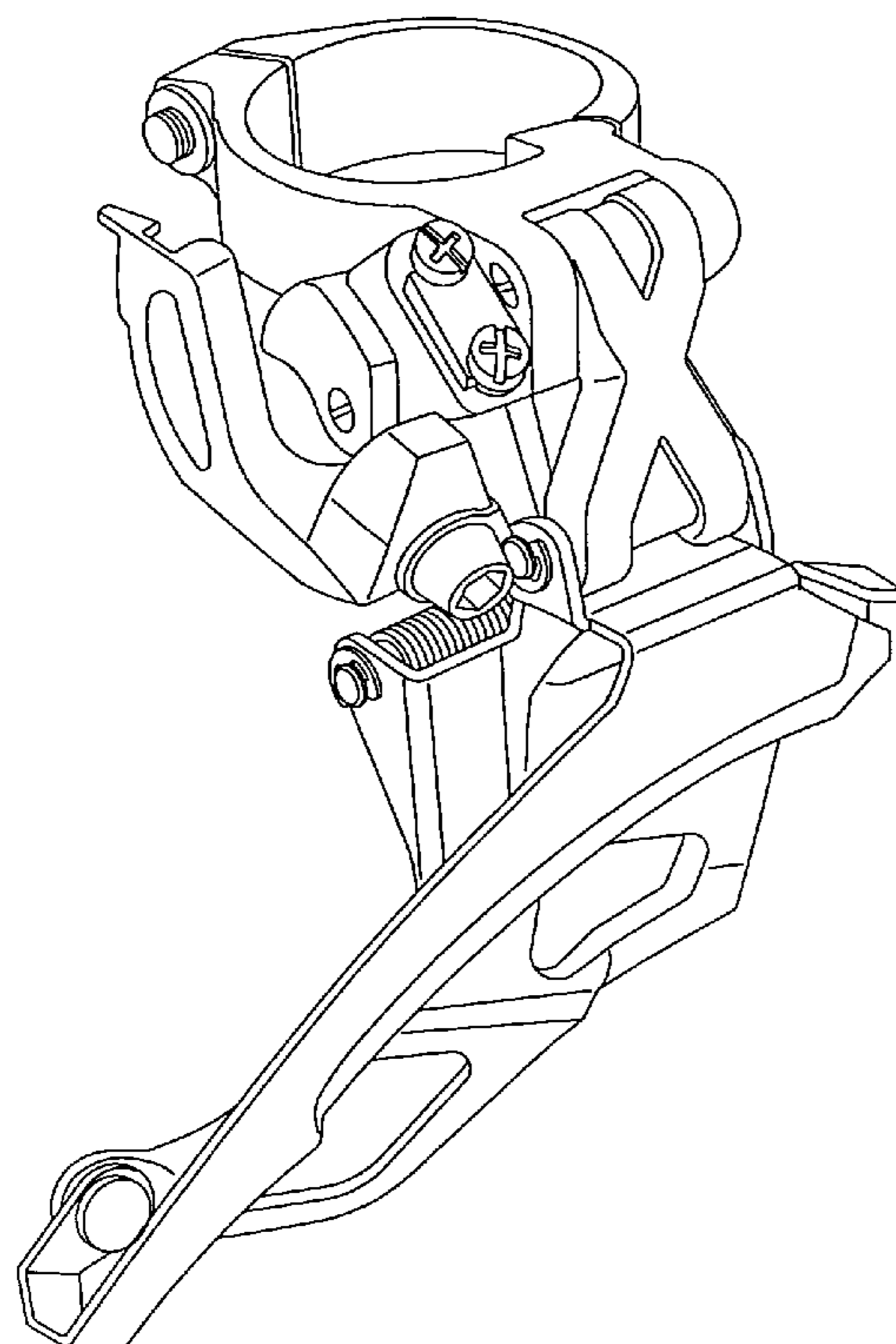
FIG. 4 is a rear end elevational view of the front derailleur for a bicycle in accordance with my new design;

FIG. 5 is a front end elevational view of the front derailleur for a bicycle in accordance with my new design;

FIG. 6 is a top plan view of the front derailleur for a bicycle in accordance with my new design; and,

FIG. 7 is a bottom plan view of the front derailleur for a bicycle in accordance with my new design.

1 Claim, 7 Drawing Sheets



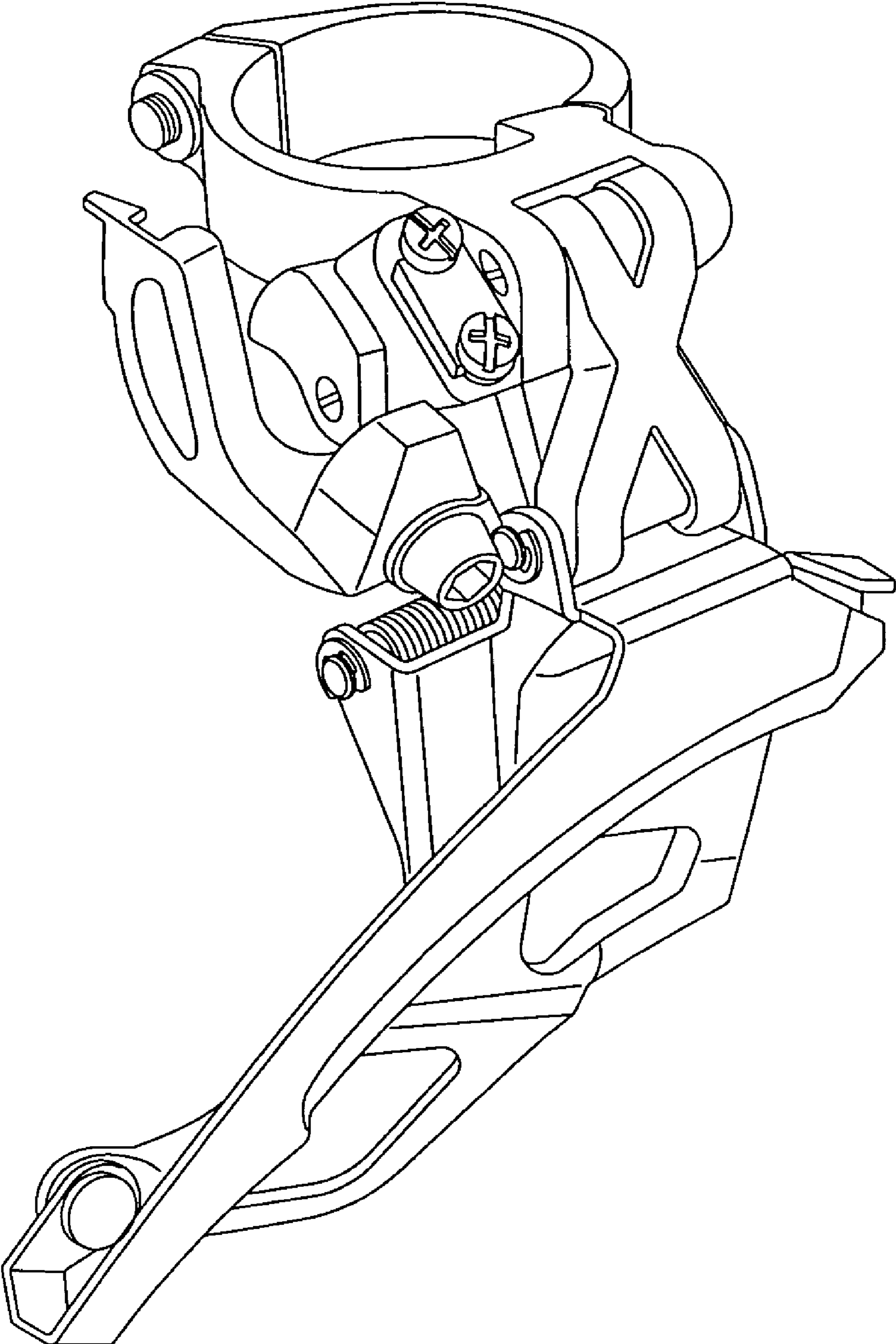


FIG. 1

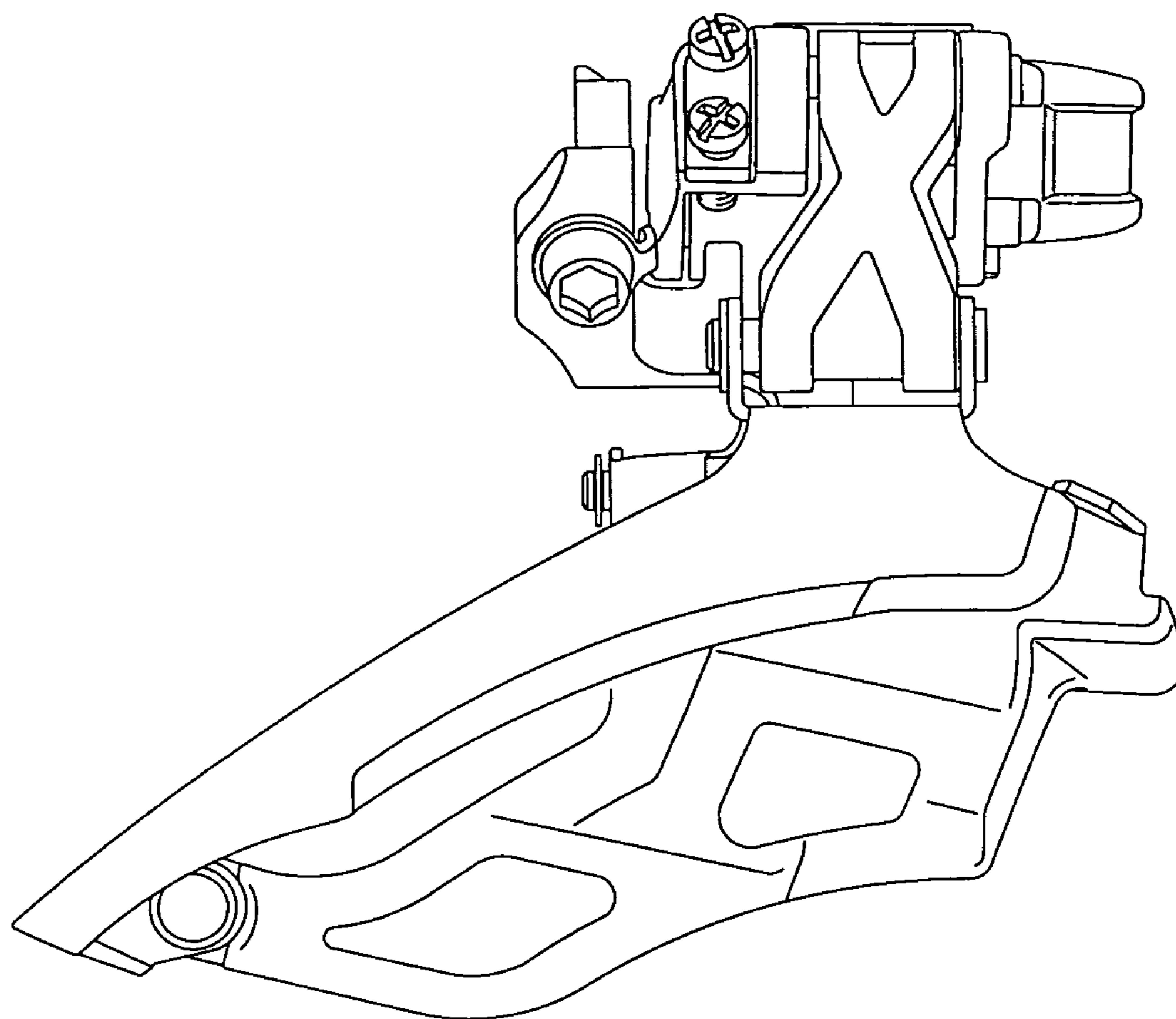


FIG. 2

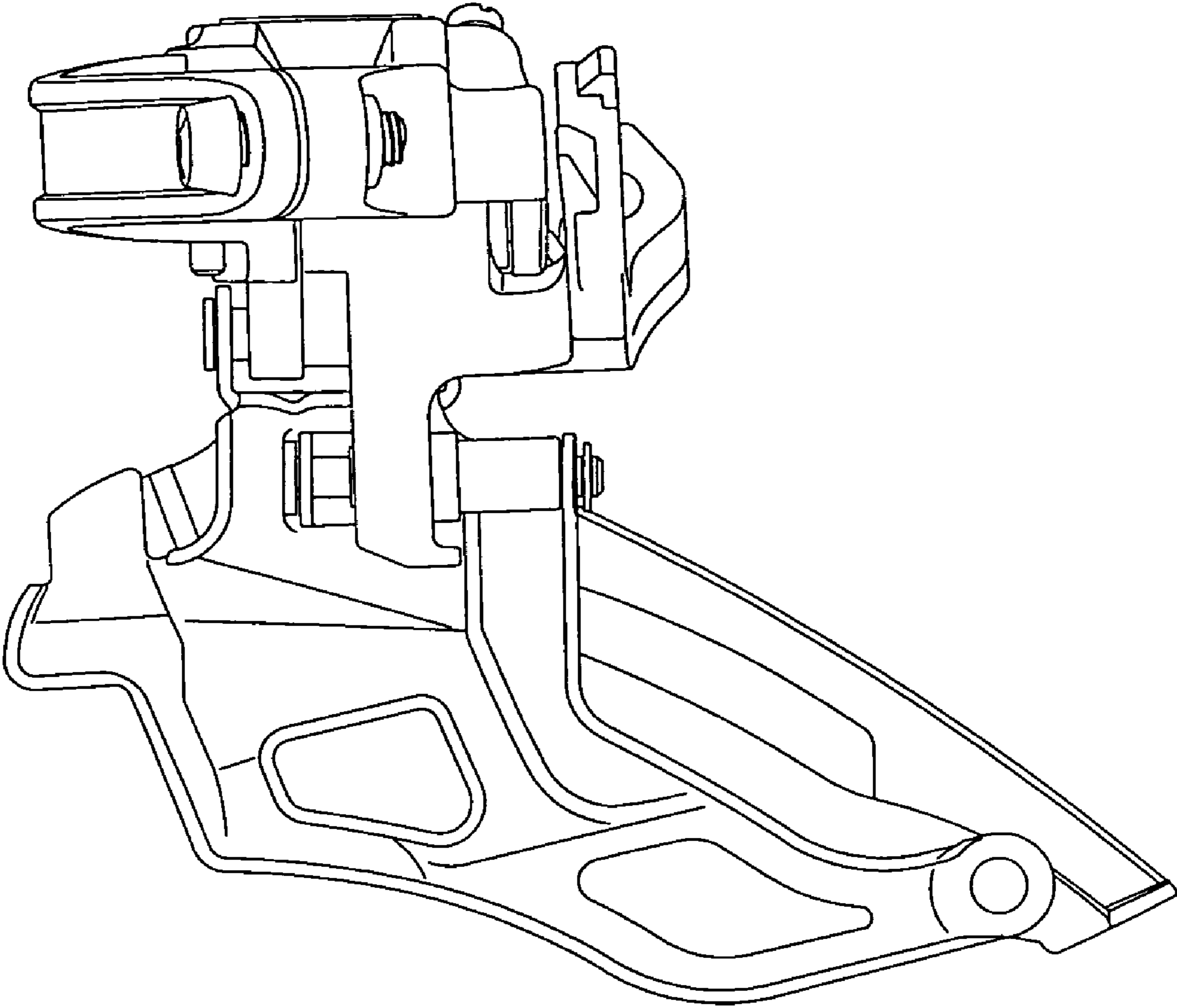


FIG. 3

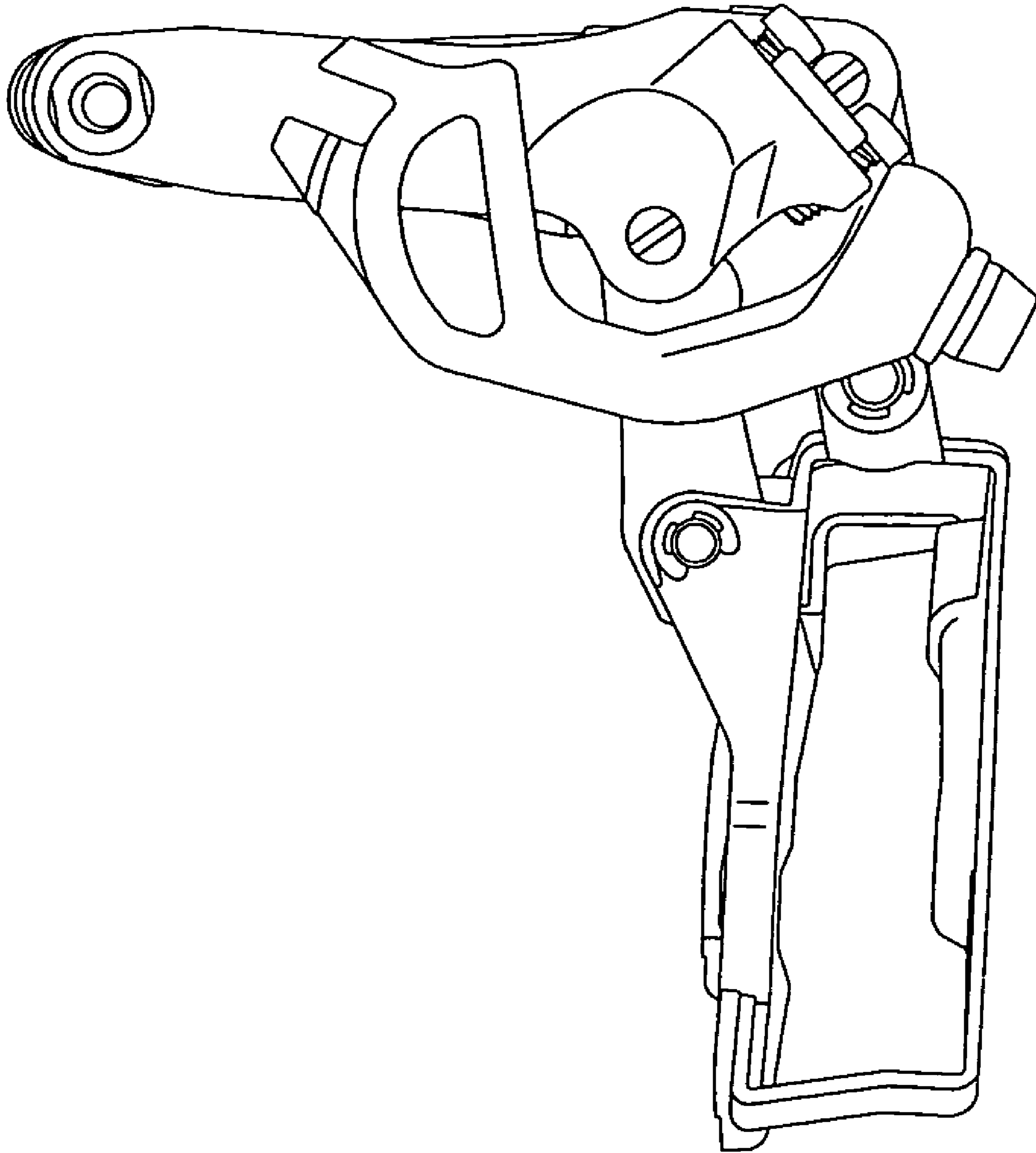


FIG. 4

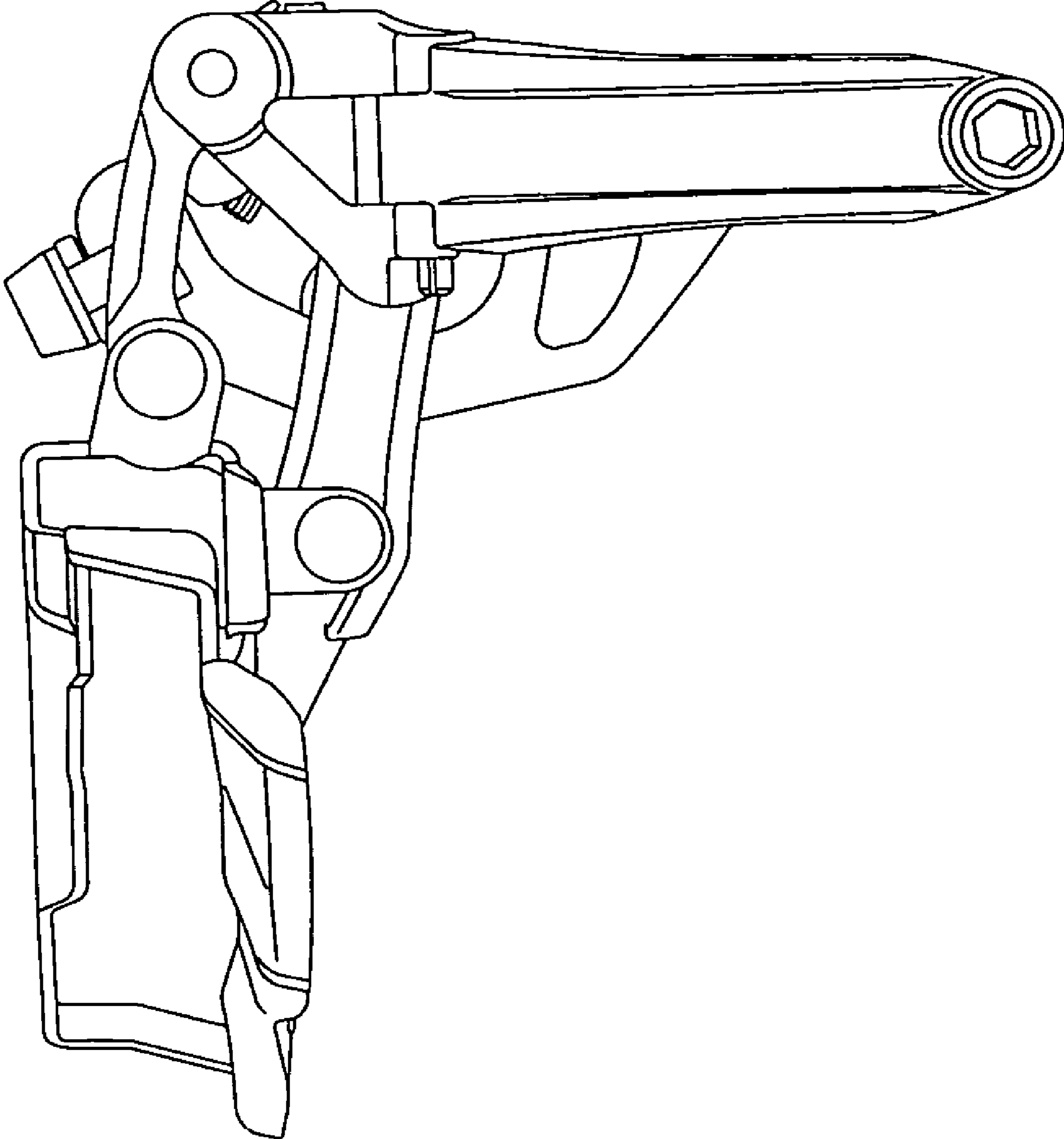


FIG. 5

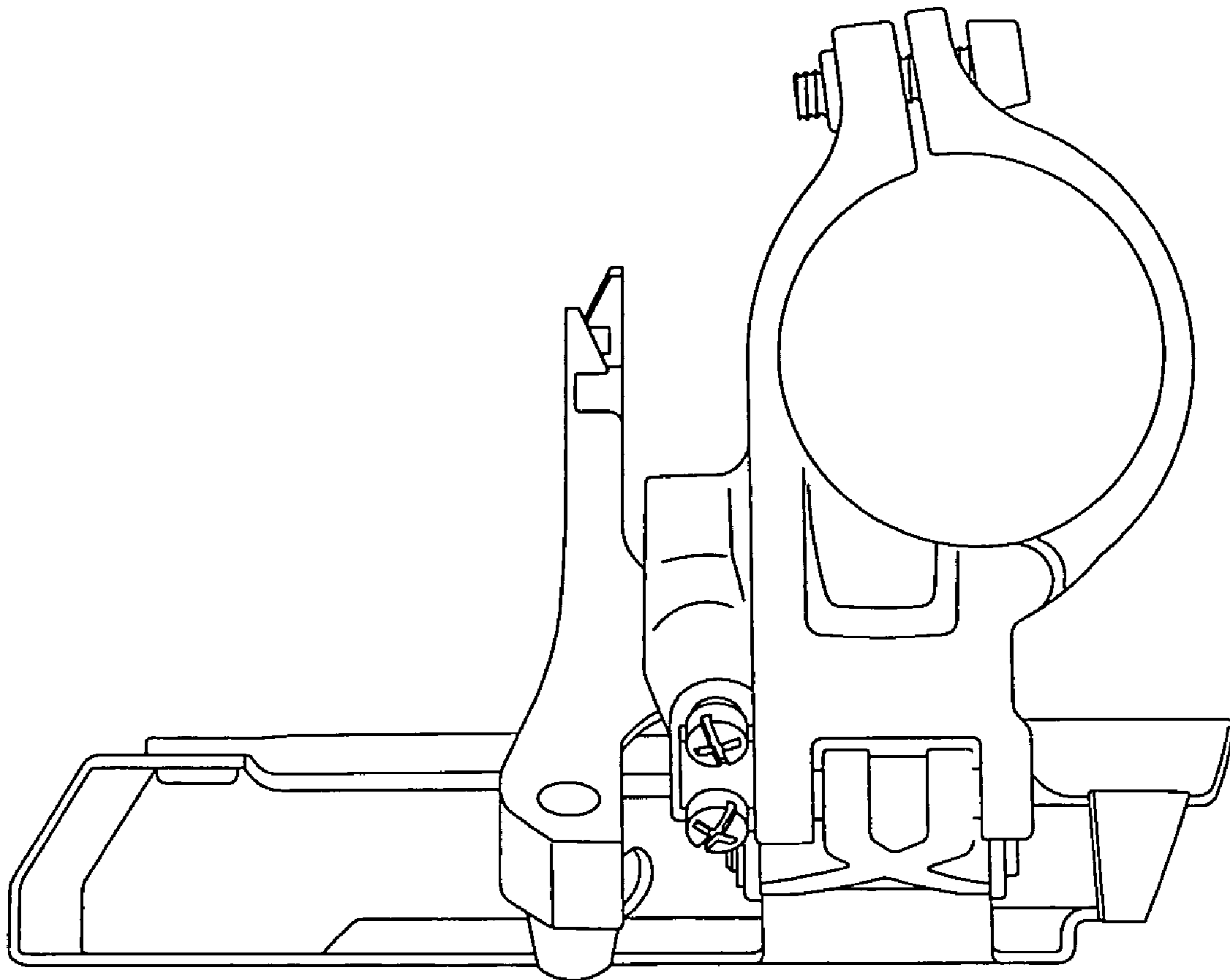


FIG. 6

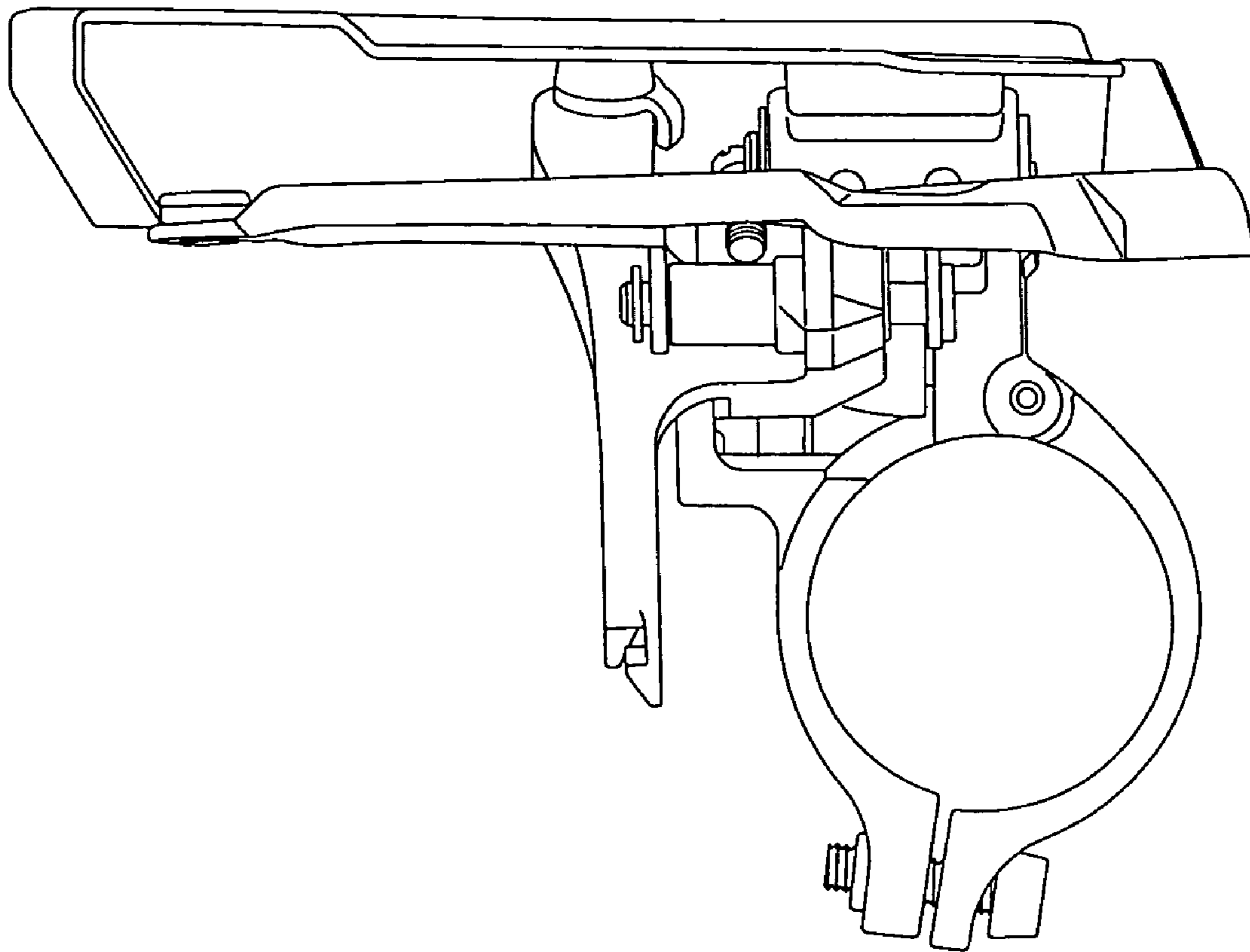


FIG. 7