

US00D555048S

(12) **United States Design Patent**
Hanamura

(10) **Patent No.:** **US D555,048 S**

(45) **Date of Patent:** **** Nov. 13, 2007**

(54) **FRONT CHAIN WHEEL FOR A BICYCLE**

(75) Inventor: **Junichi Hanamura**, Osaka (JP)

(73) Assignee: **Shimano Inc.**, Osaka (JP)

(**) Term: **14 Years**

(21) Appl. No.: **29/260,101**

(22) Filed: **May 19, 2006**

(30) **Foreign Application Priority Data**

Dec. 16, 2005 (EM) 000450424-0001/0008

(51) **LOC (8) Cl.** **12-11**

(52) **U.S. Cl.** **D12/123**

(58) **Field of Classification Search** D12/111,
D12/123; 474/151, 152, 155-158, 160-162,
474/144, 164; 74/594.1, 594.2, 594.3, 594.4;
280/259, 260

See application file for complete search history.

(56) **References Cited**

U.S. PATENT DOCUMENTS

D532,342 S * 11/2006 Arakawa D12/123
2003/0073531 A1* 4/2003 Tseng 474/160

* cited by examiner

Primary Examiner—Alan P. Douglas

Assistant Examiner—Linda Brooks

(74) *Attorney, Agent, or Firm*—Global IP Counselors, LLP

(57) **CLAIM**

The ornamental design for a front chain wheel for a bicycle, as shown and described.

DESCRIPTION

FIG. 1 is an outside perspective view of a front chain wheel for a bicycle in accordance with my new design;

FIG. 2 is an outside elevational view of the front chain wheel for a bicycle in accordance with my new design;

FIG. 3 is an inside elevational view of the front chain wheel for a bicycle in accordance with my new design;

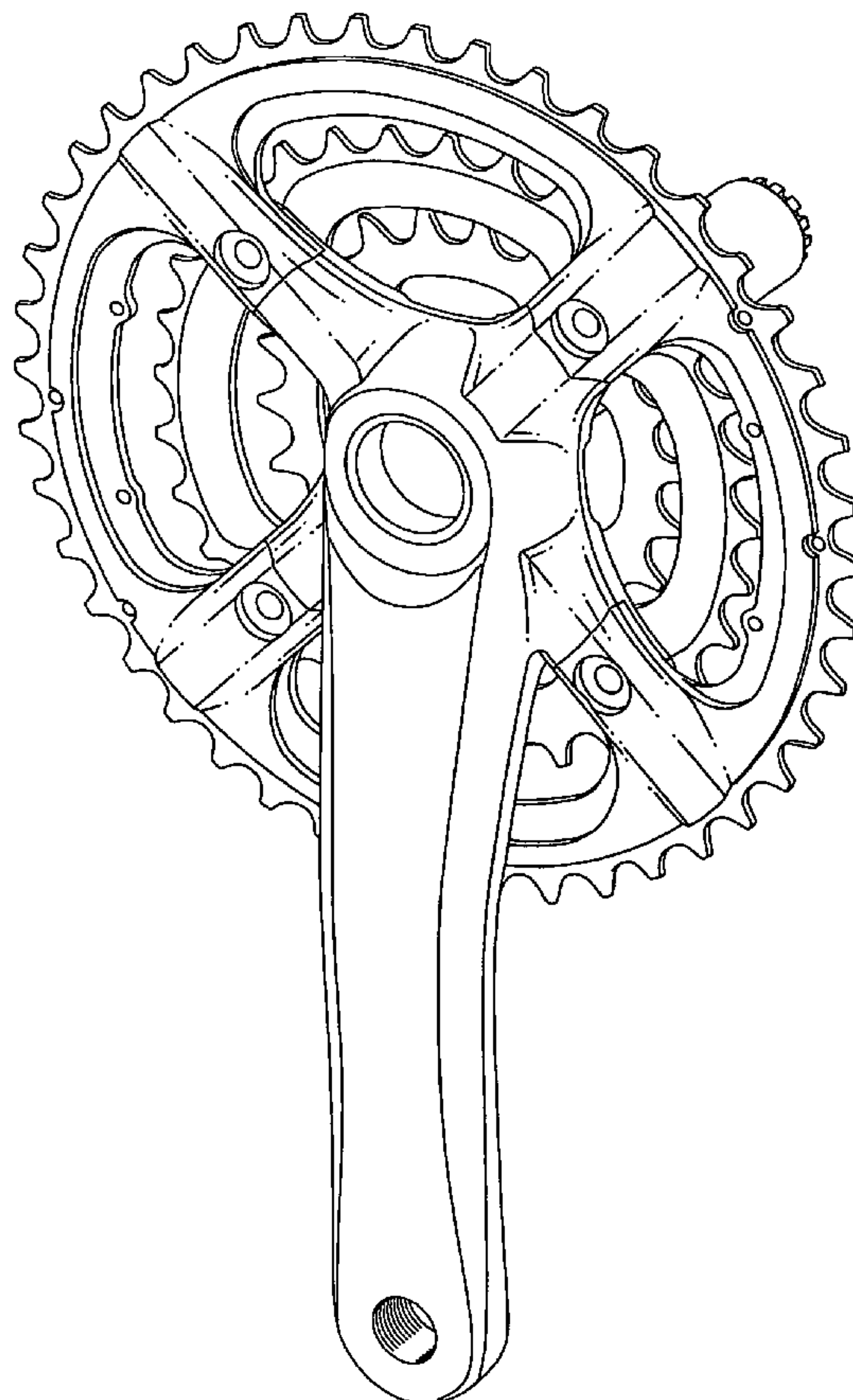
FIG. 4 is a right side elevational view of the front chain wheel for a bicycle in accordance with my new design;

FIG. 5 is a left side elevational view of the front chain wheel for a bicycle in accordance with my new design;

FIG. 6 is a top plan view of the front chain wheel for a bicycle in accordance with my new design; and,

FIG. 7 is a bottom plan view of the front chain wheel for a bicycle in accordance with my new design.

1 Claim, 7 Drawing Sheets



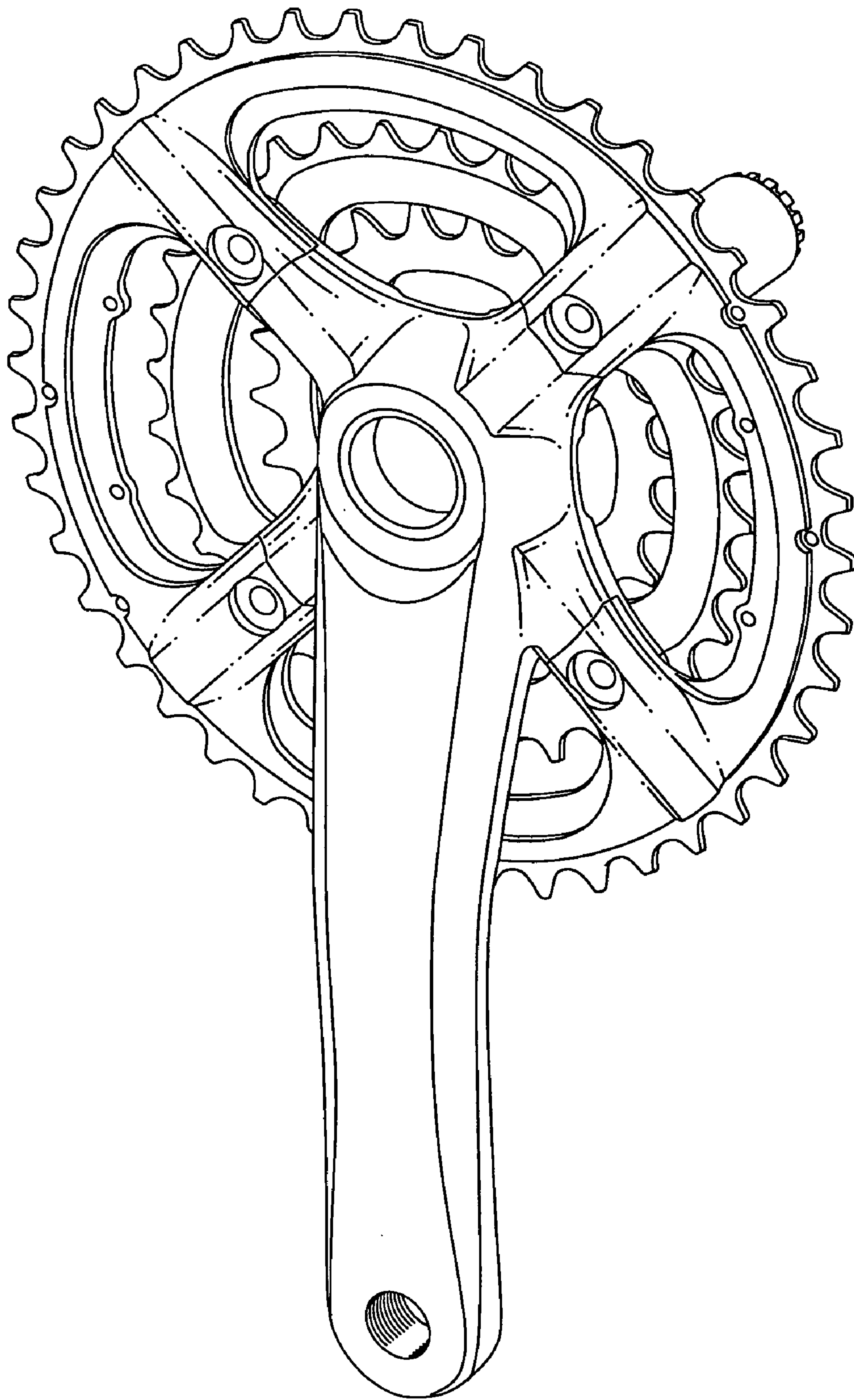


FIG. 1

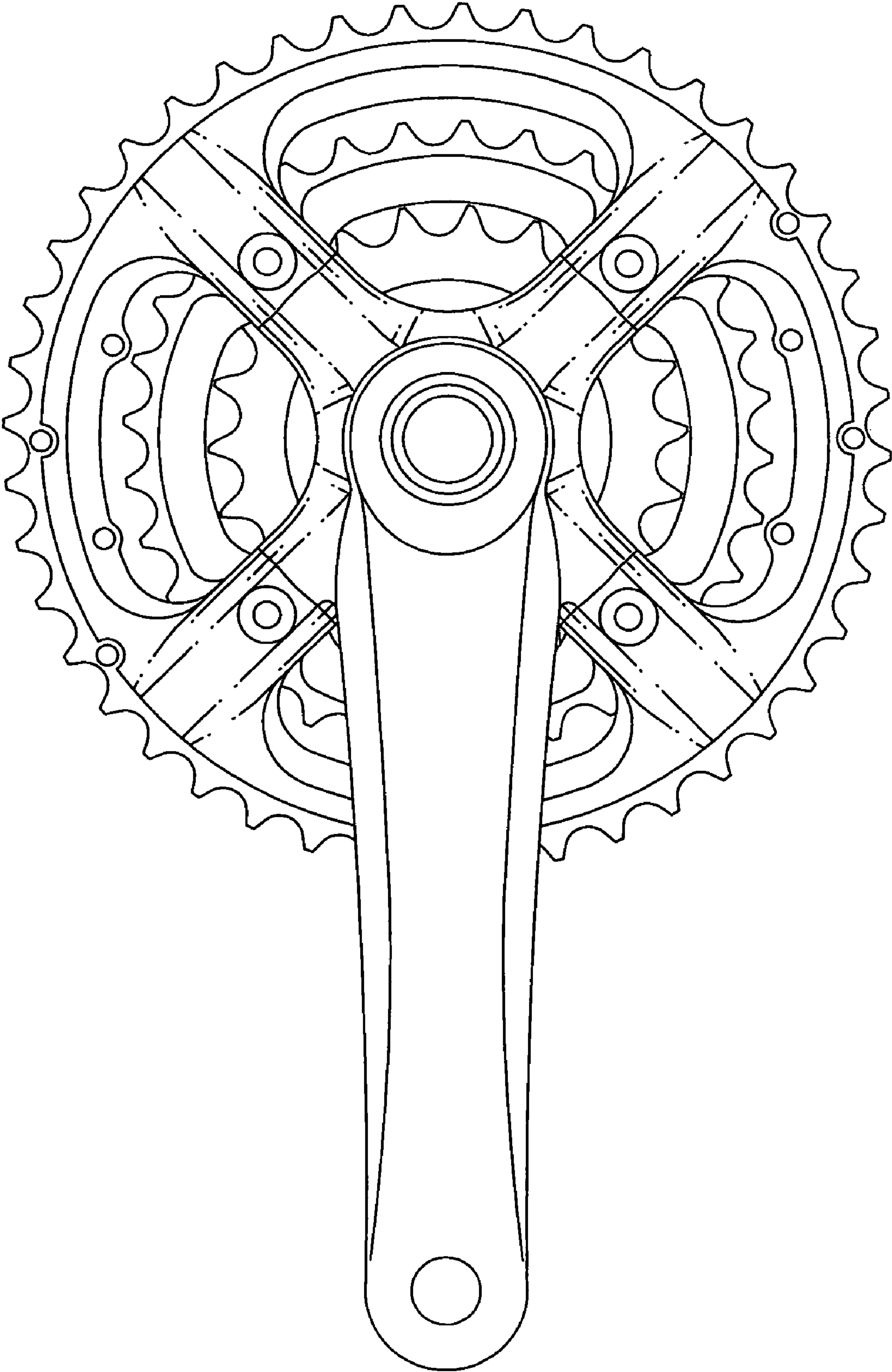


FIG. 2

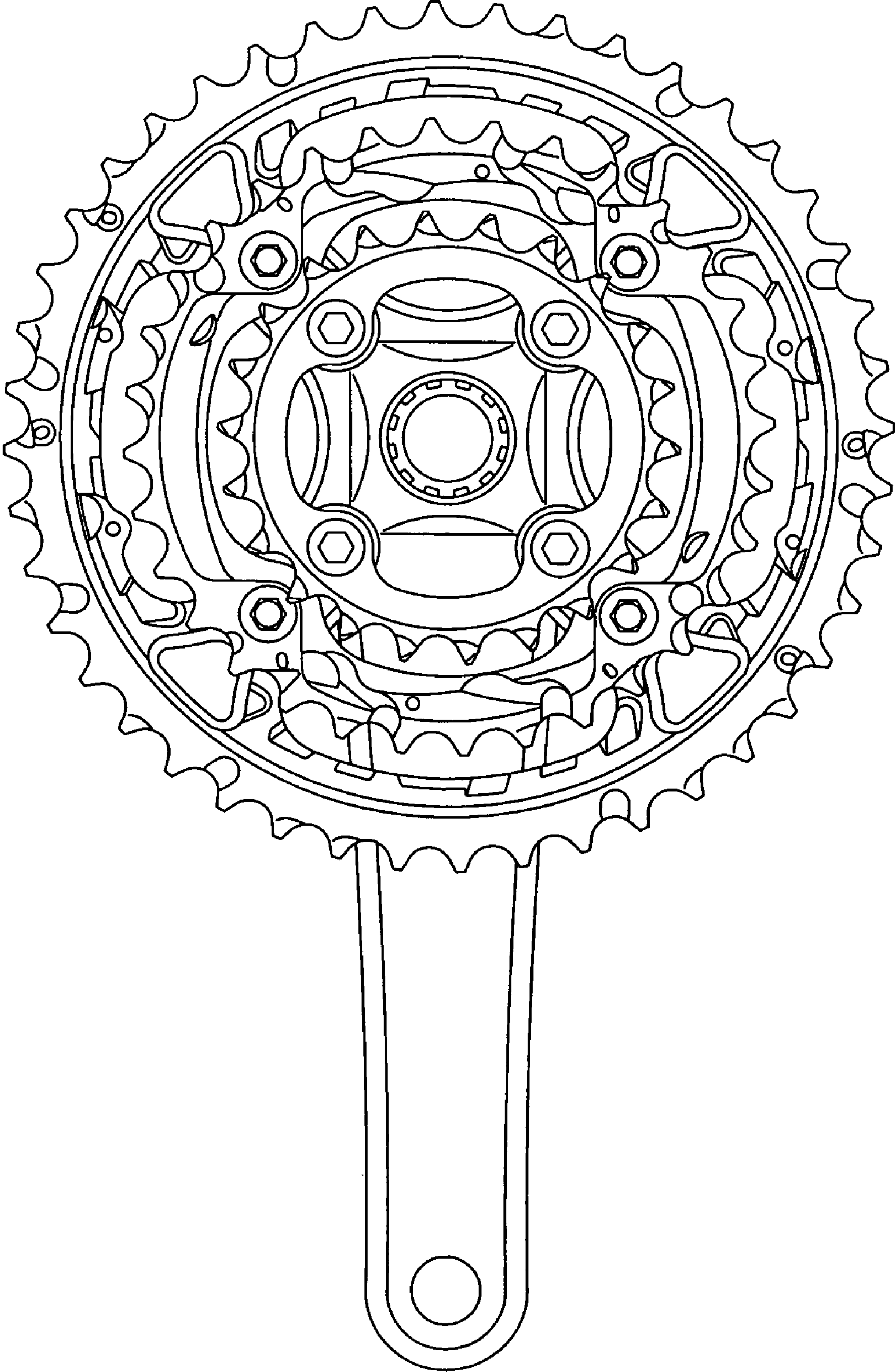


FIG. 3

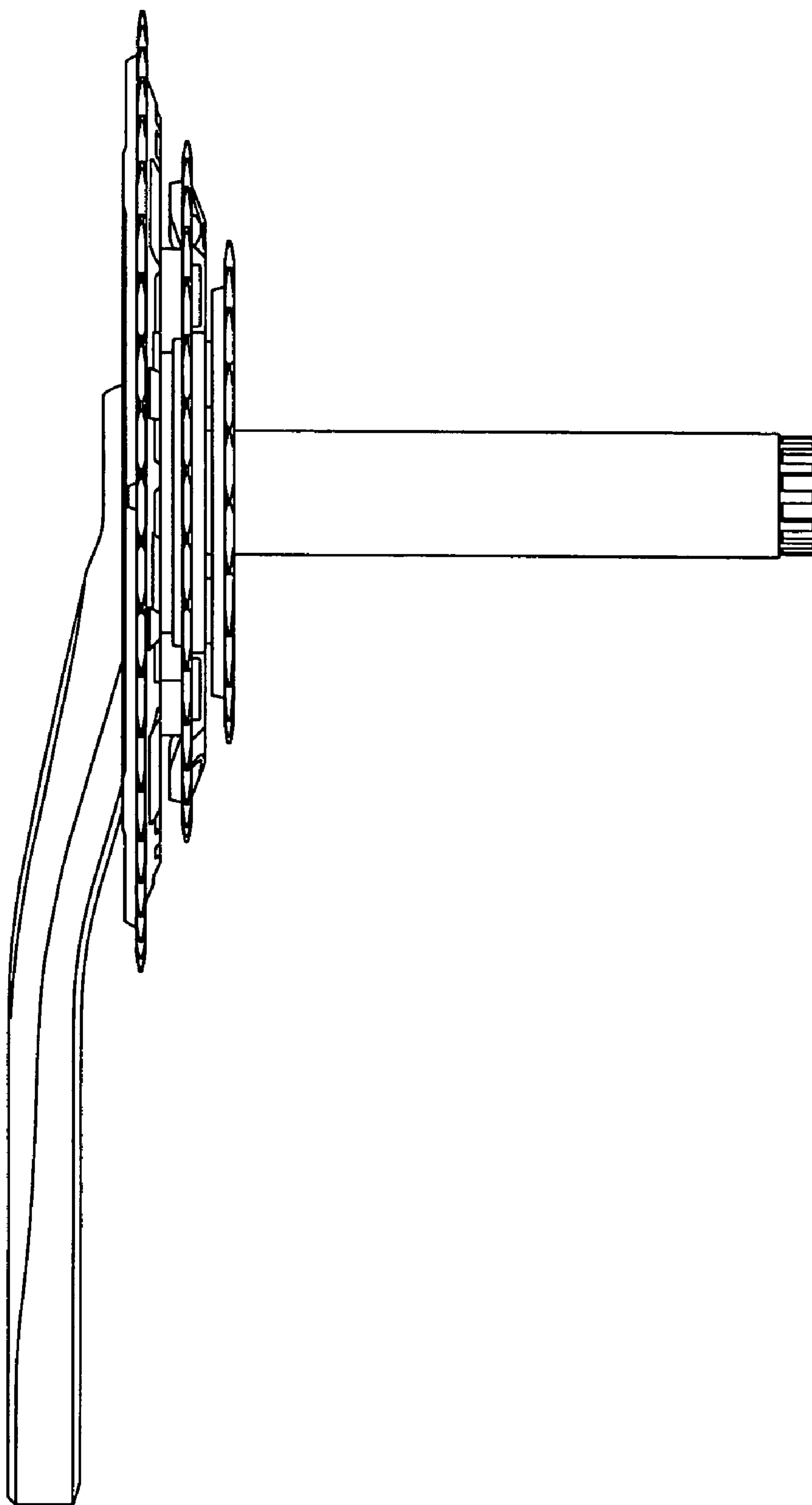


FIG. 4

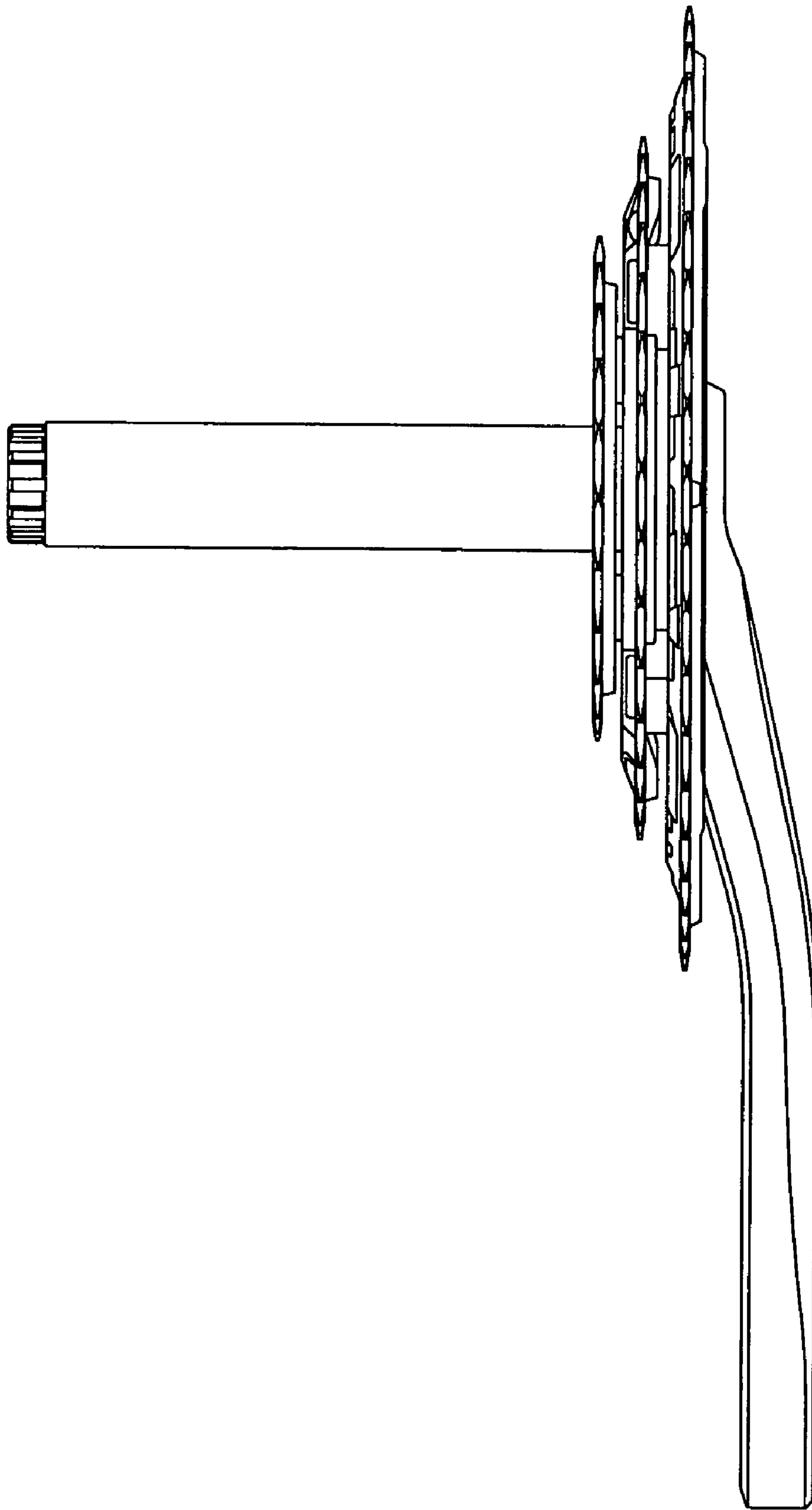


FIG. 5

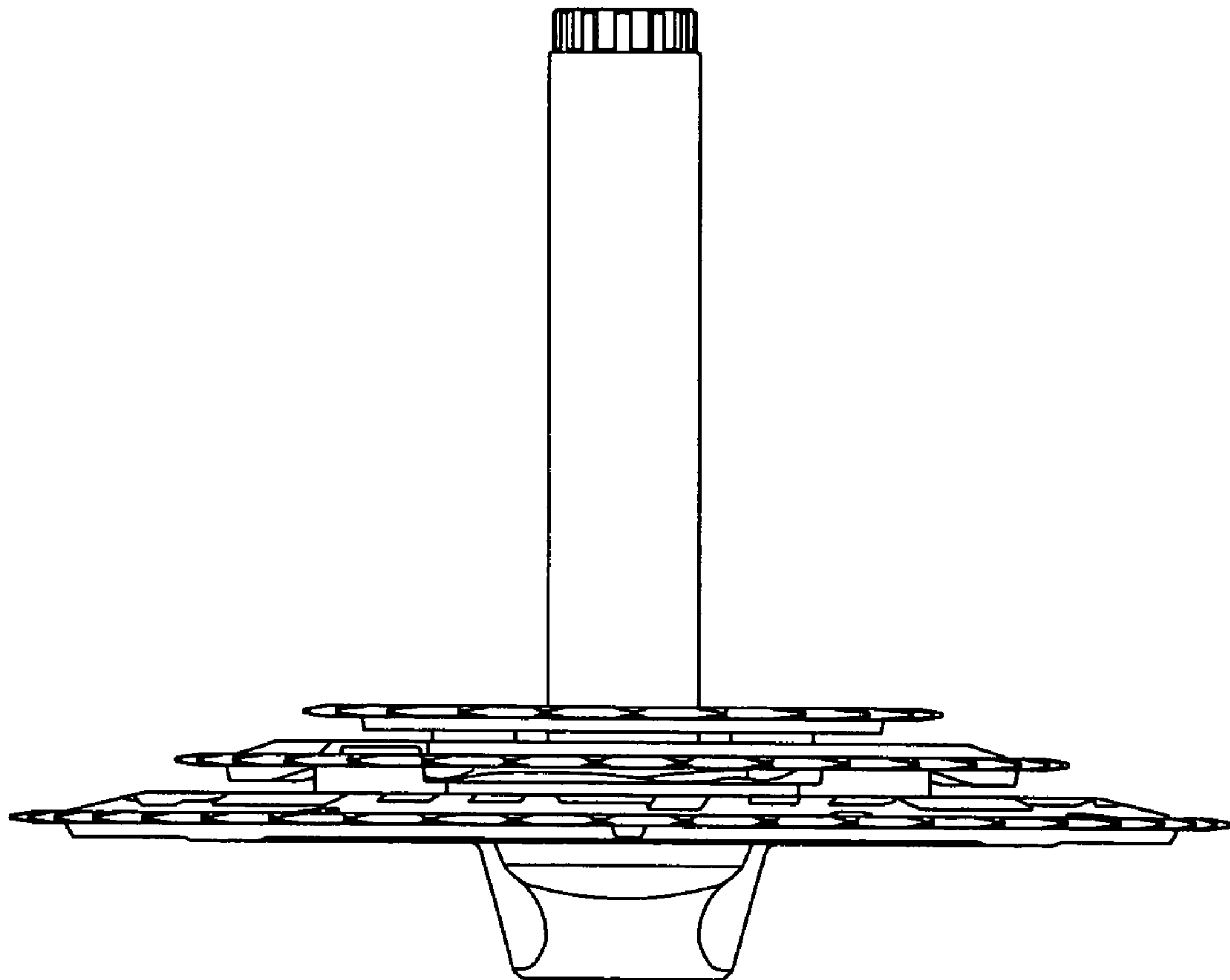


FIG. 6

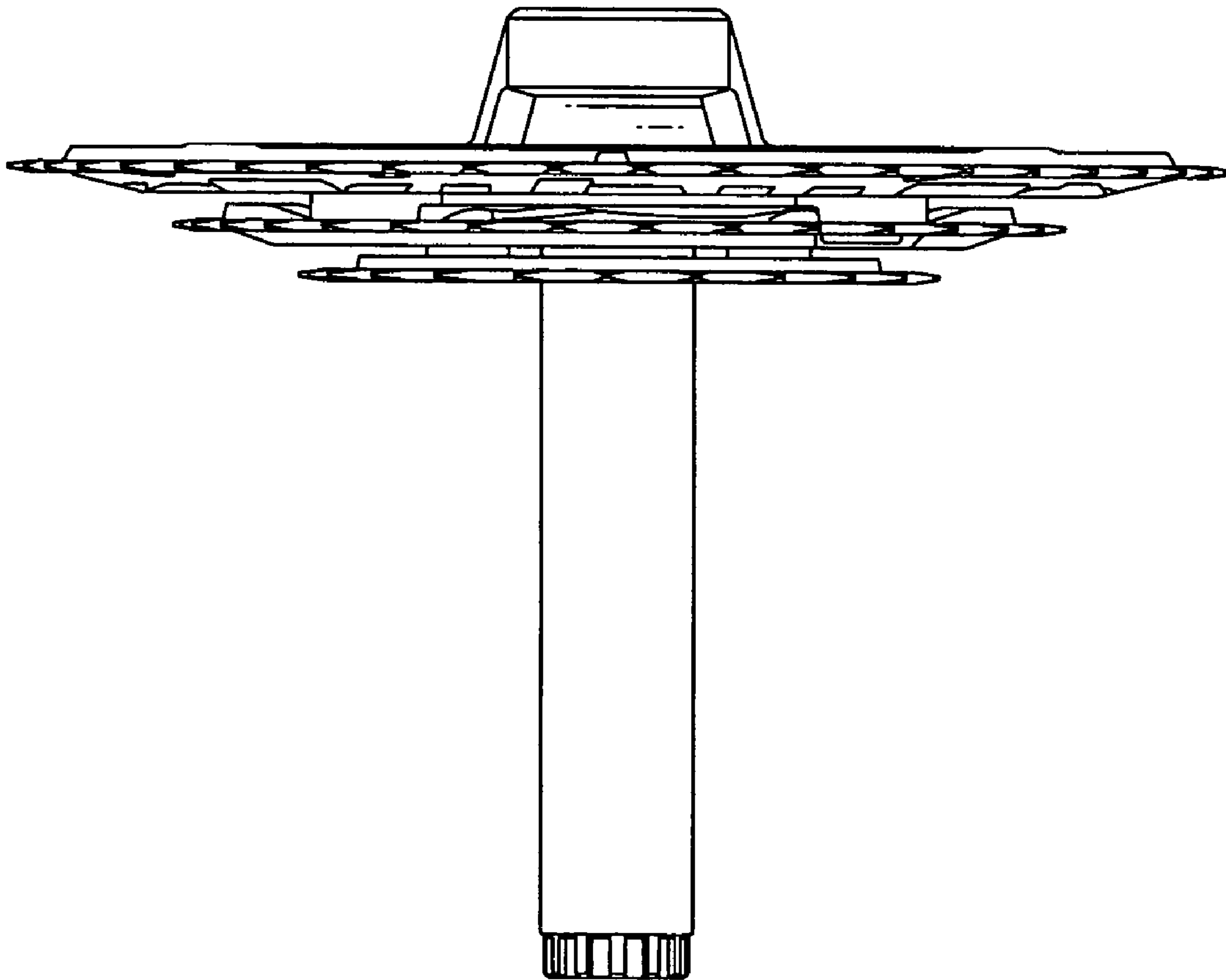


FIG. 7