



US00D555047S

(12) **United States Design Patent**
Colbert et al.

(10) **Patent No.:** **US D555,047 S**

(45) **Date of Patent:** **** Nov. 13, 2007**

(54) **MOTORCYCLE REAR SEAT ARM REST ASSEMBLY**

6,976,552 B1 12/2005 Kicker
7,111,903 B1* 9/2006 Snelson 297/256.16
7,114,774 B2* 10/2006 Stahel et al. 297/411.29

(76) Inventors: **Dee A Colbert**, 1252 N. Union St.,
Kokomo, IN (US) 46901; **Wade J Symons**, 347 S. 1100 E., Greentown,
IN (US) 46936

* cited by examiner

Primary Examiner—Alan P. Douglas
Assistant Examiner—Linda Brooks
(74) *Attorney, Agent, or Firm*—Frank D Lachenmaier

(**) Term: **14 Years**

(57) **CLAIM**

(21) Appl. No.: **29/262,544**

The ornamental design for the motorcycle rear seat arm rest assembly, as shown and described.

(22) Filed: **Jul. 5, 2006**

(51) **LOC (8) Cl.** **12-11**

(52) **U.S. Cl.** **D12/119**

(58) **Field of Classification Search** D6/354,
D6/500-502; D12/110, 114, 119, 421, 222,
D12/223; 180/219; 297/411.1, 411.2, 411.21-411.29,
297/411.3, 411.31-411.39, 411.4, 411.41-411.46,
297/195.1, 196-215, 215.1-215.16, DIG. 6;
208/202, 288.4, 304.4

See application file for complete search history.

DESCRIPTION

FIG. 1 is a front view of motorcycle rear seat arm rest assembly of our new design;

FIG. 2 is a rear view thereof;

FIG. 3 is a right side elevational view thereof, the left side elevational view being a mirror image;

FIG. 4 is a right side elevational view thereof with the arm rests raised to their mount and dismount positions, the left side elevational view being a mirror image;

FIG. 5 is a top view thereof;

FIG. 6 is a bottom view thereof; and,

FIG. 7 is an isometric view of a motorcycle rear seat arm rest assembly mounted on a motorcycle sissy bar.

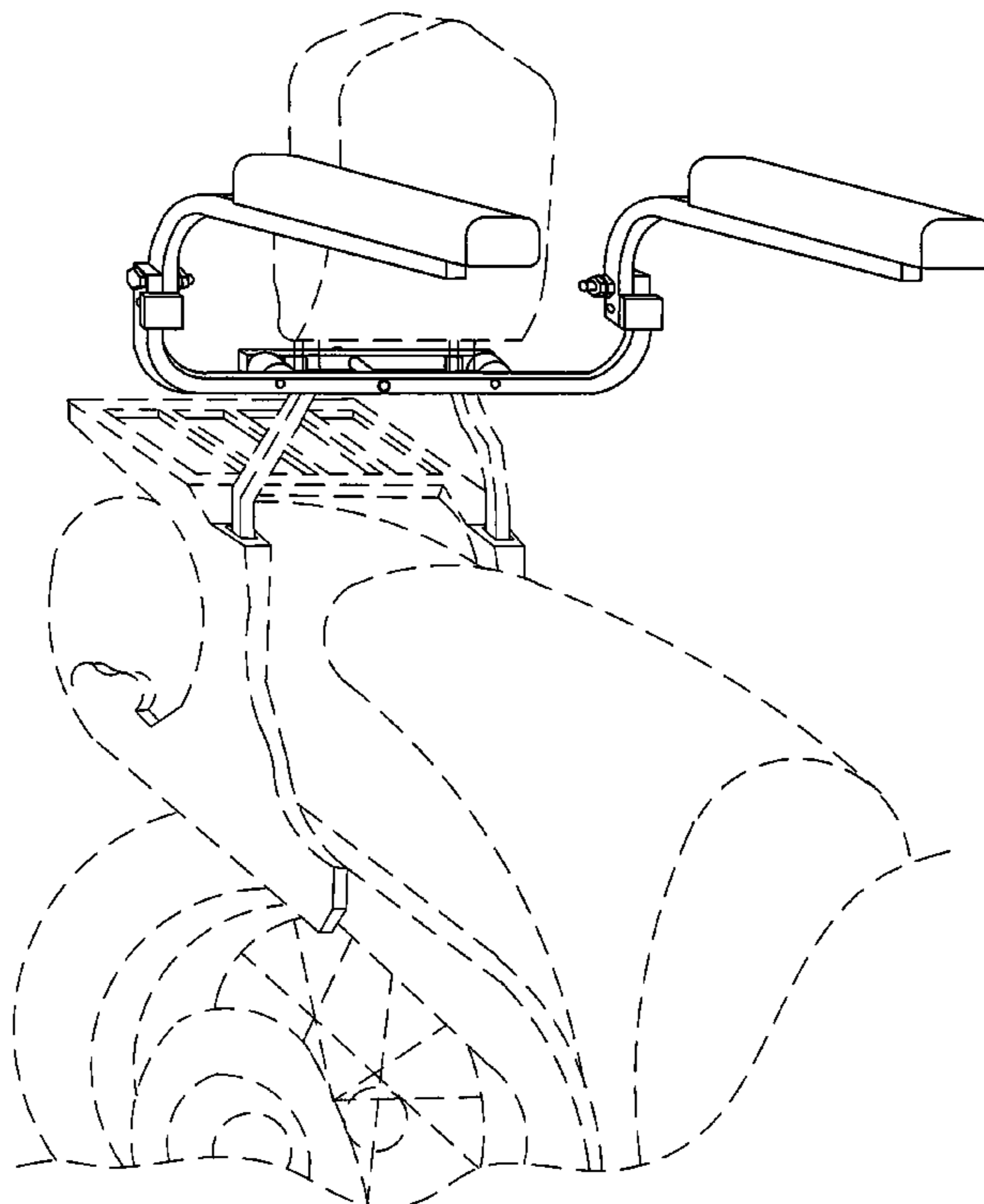
The broken line showing of a motorcycle, sissy bar and backrest is for illustrative purposes only and forms no part of the claimed design.

(56) **References Cited**

U.S. PATENT DOCUMENTS

D246,968 S *	1/1978	Sklodowsky	D12/119
4,225,183 A	9/1980	Hanagan et al.	
4,549,629 A	10/1985	Komuro	
4,690,237 A	9/1987	Funabashi et al.	
4,695,096 A	9/1987	Kincaid	
4,915,187 A	4/1990	Nakashima et al.	
D373,344 S	9/1996	Wissen, Jr.	
6,164,725 A	12/2000	Santa Cruz et al.	

1 Claim, 4 Drawing Sheets



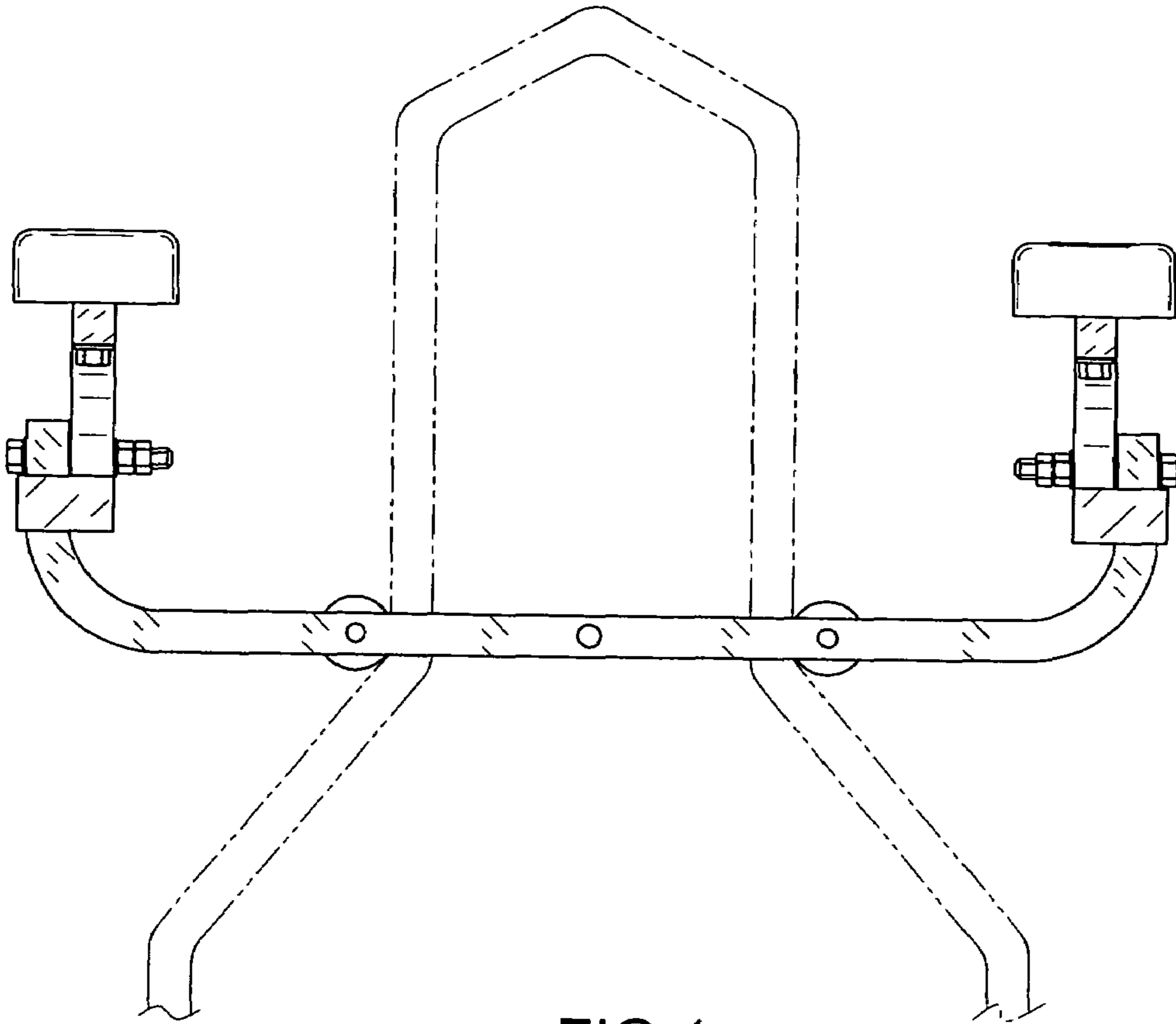


FIG 1

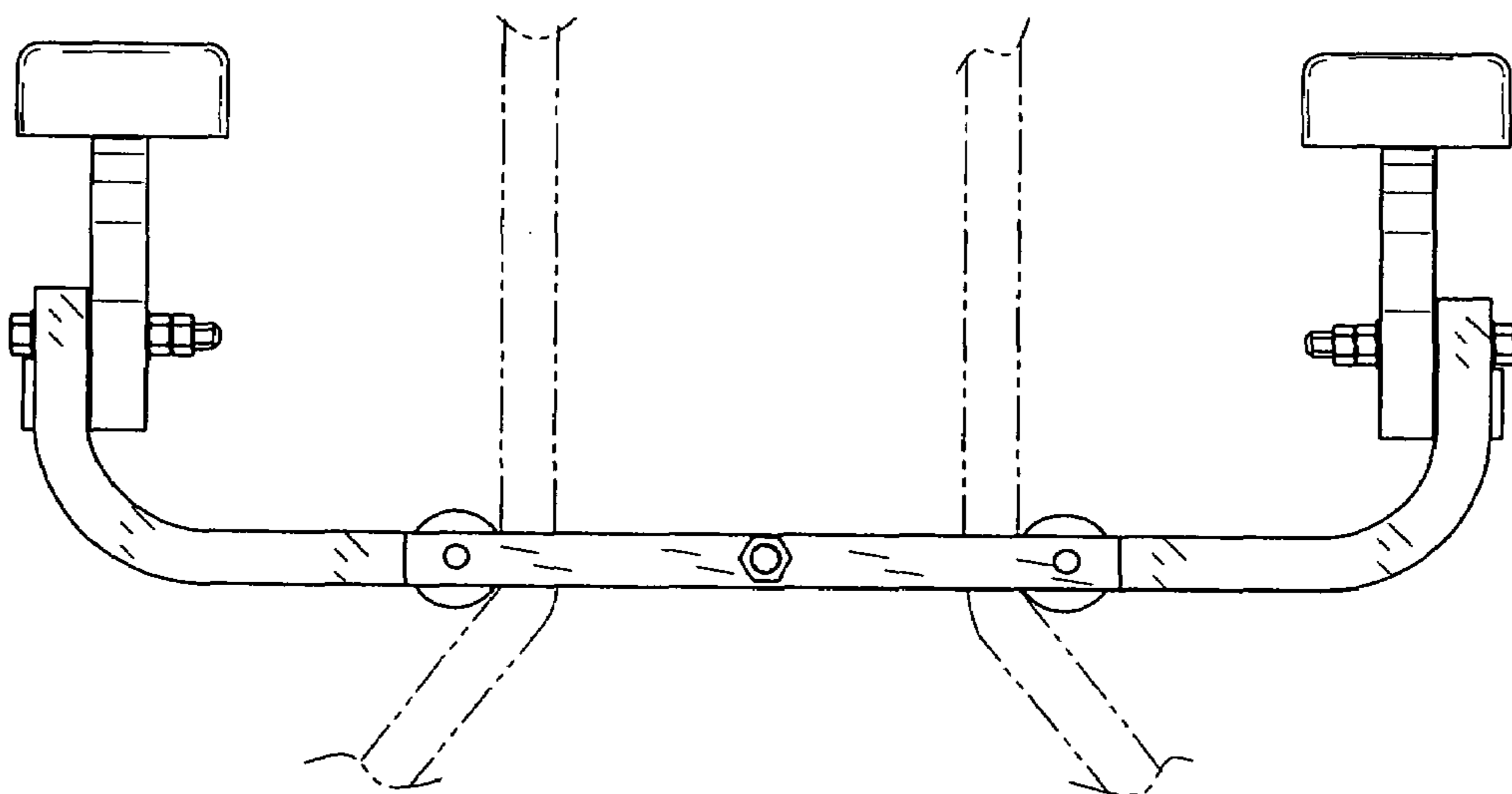


FIG 2

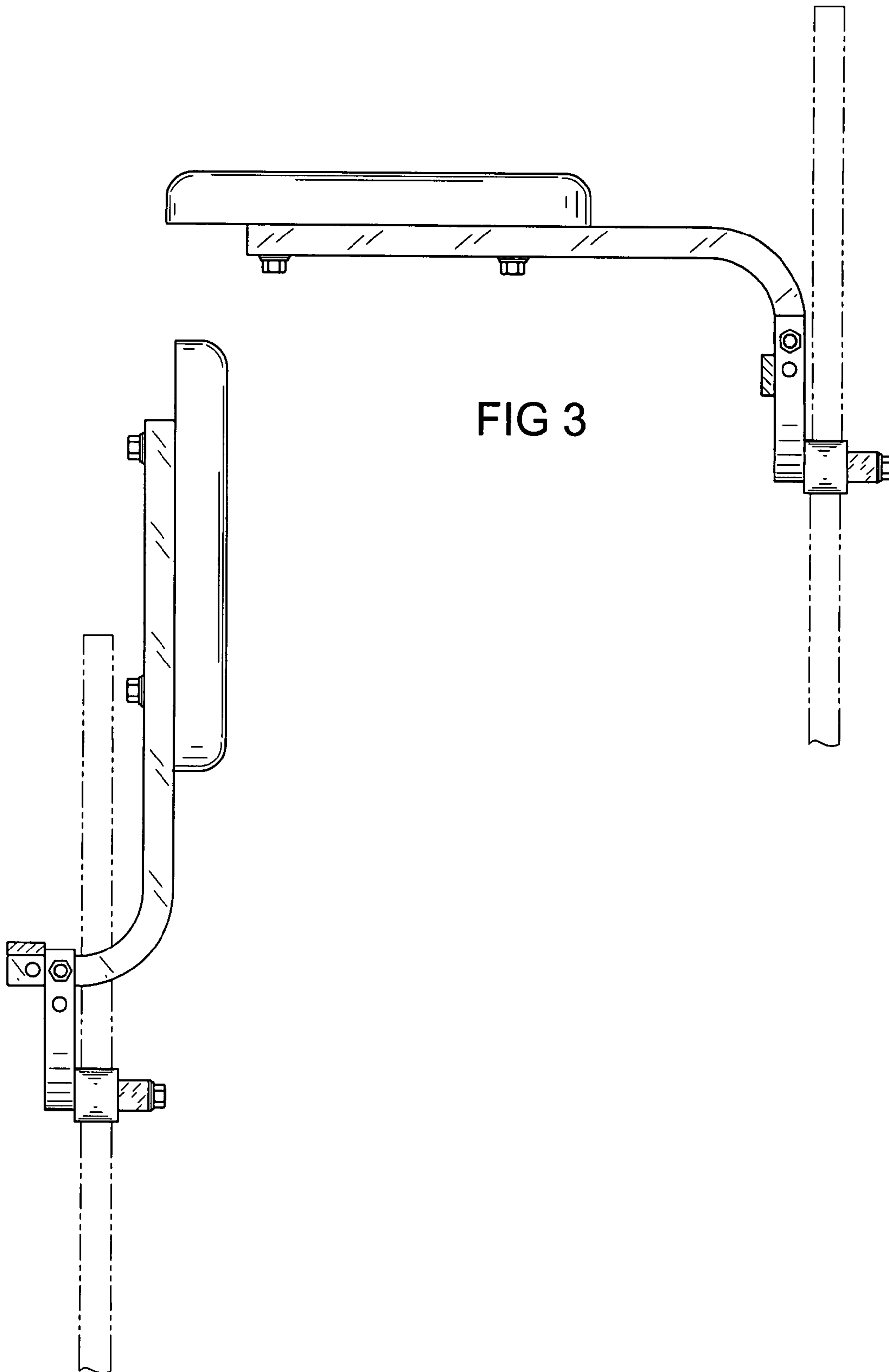


FIG 3

FIG 4

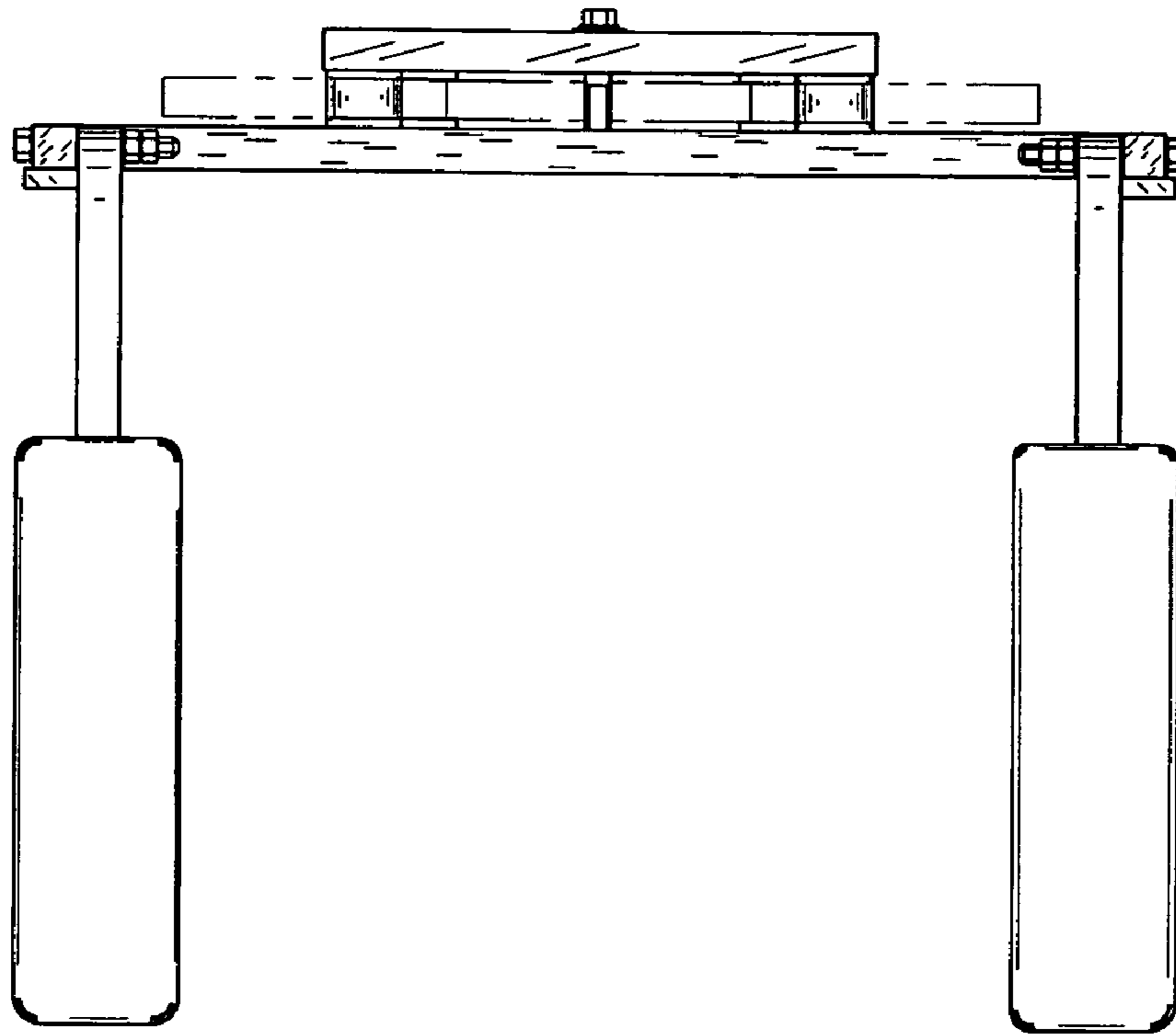


FIG 5

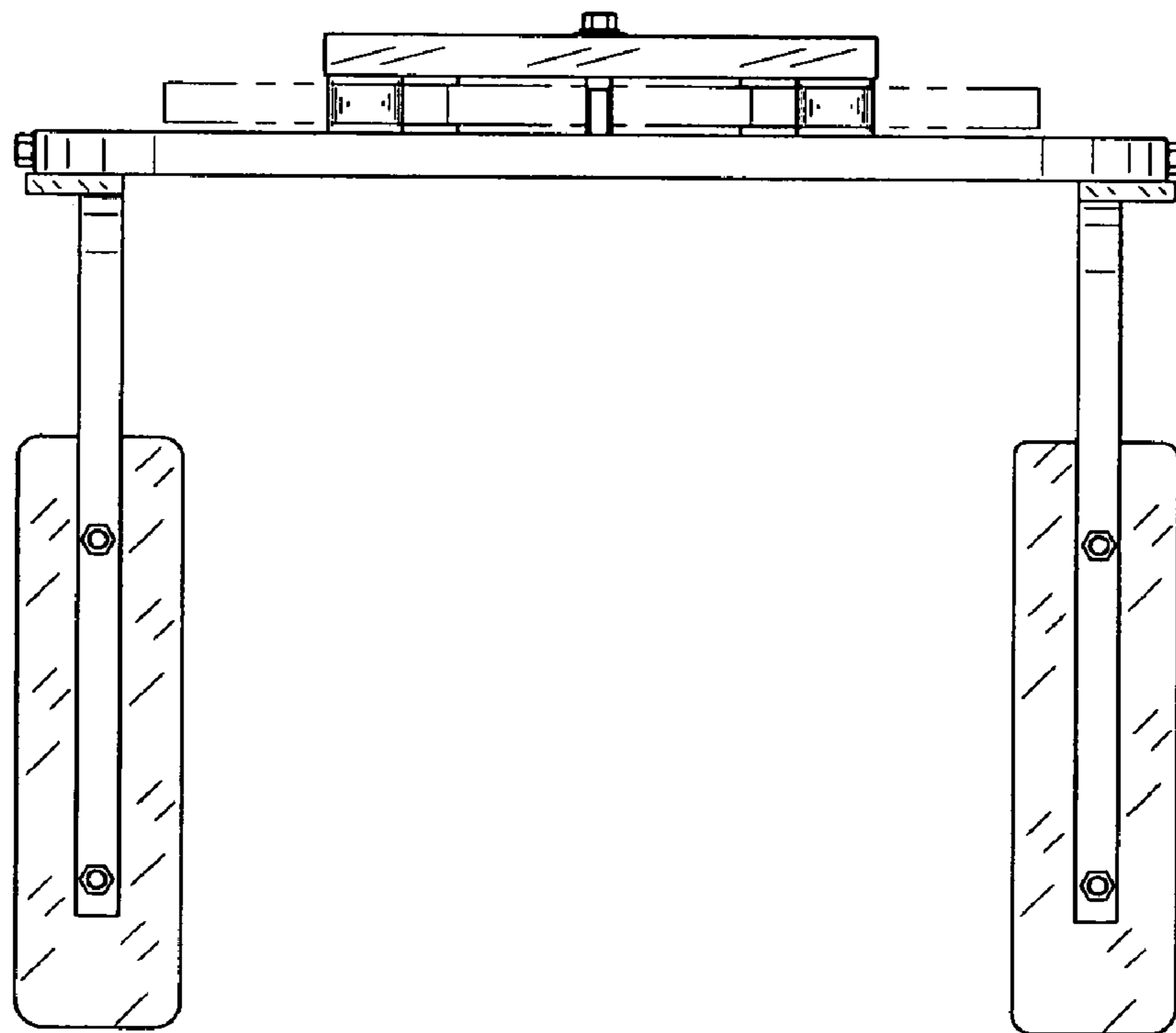


FIG 6

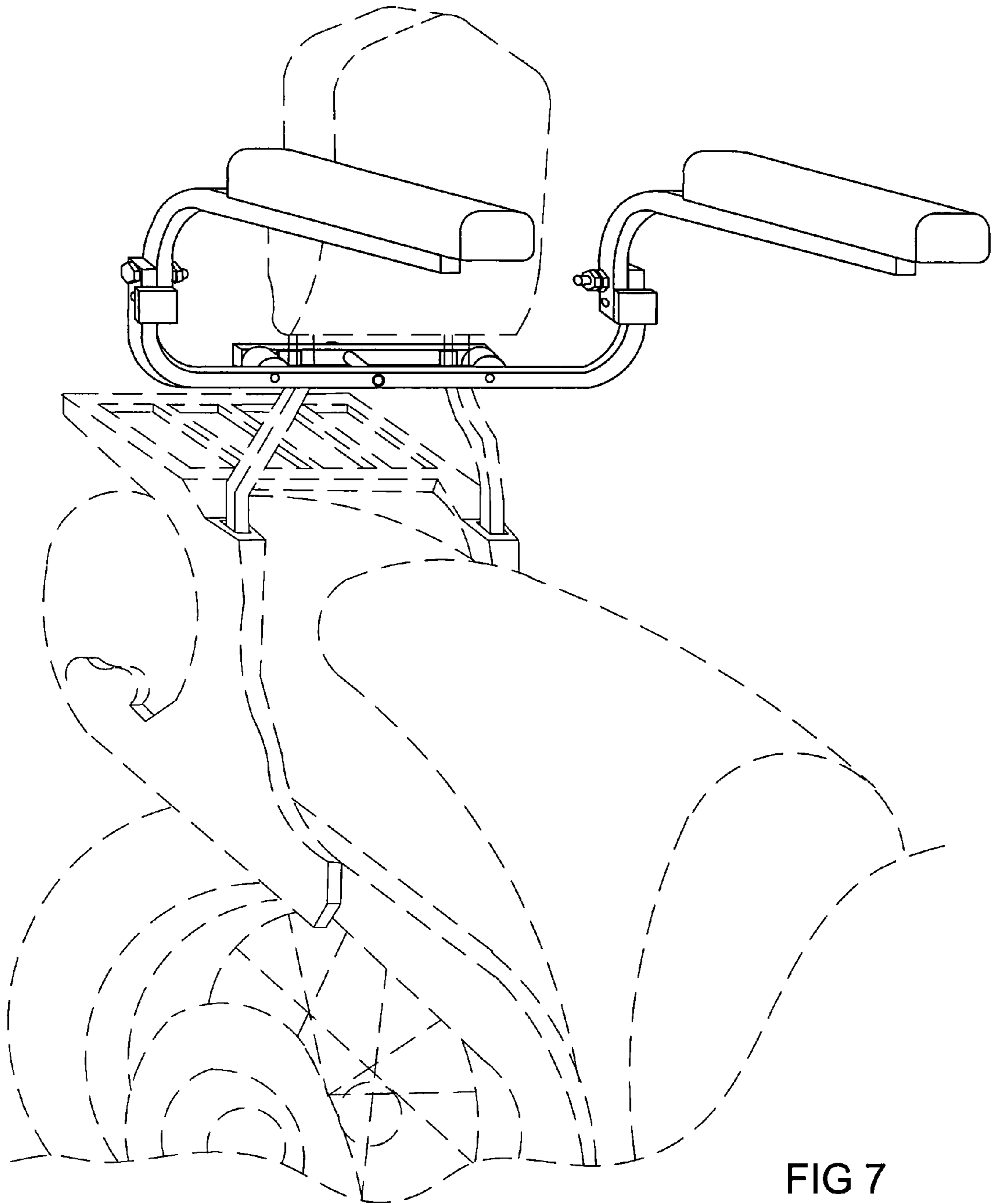


FIG 7