



US00D555045S

(12) **United States Design Patent**
On

(10) **Patent No.:** **US D555,045 S**

(45) **Date of Patent:** **** Nov. 13, 2007**

(54) **TRICYCLE HAVING A CANOPY, HANDLE AND MUD GUARD**

(75) Inventor: **Yoram Bar On**, Sderot (IL)

(73) Assignee: **Smart Baby Toys / Smart Trike**,
Sheung Wan (HK)

(**) Term: **14 Years**

(21) Appl. No.: **29/266,252**

(22) Filed: **Sep. 18, 2006**

(51) **LOC (8) Cl.** **12-11**

(52) **U.S. Cl.** **D12/112**

(58) **Field of Classification Search** D12/112,
D12/113; D21/432, 435, 538; 280/282,
280/259, 263, 270, 293, 304.5, 281.1, 288.1-288.4,
280/202

See application file for complete search history.

(56) **References Cited**

U.S. PATENT DOCUMENTS

D355,870 S * 2/1995 Dieudonne D12/112
D525,568 S * 7/2006 Baron D12/112

* cited by examiner

Primary Examiner—Alan P. Douglas

Assistant Examiner—Linda Brooks

(74) *Attorney, Agent, or Firm*—Dekel Patent Ltd.; David Klein

(57) **CLAIM**

The ornamental design for a tricycle having a canopy, handle and mud guard, as shown and described.

DESCRIPTION

The nature and intended use of the article in which the design is embodied is that of a tricycle for children and the like, having a canopy, handle and mud guard.

FIG. 1 is a perspective view of a tricycle having a canopy, handle and mud guard showing my new design;

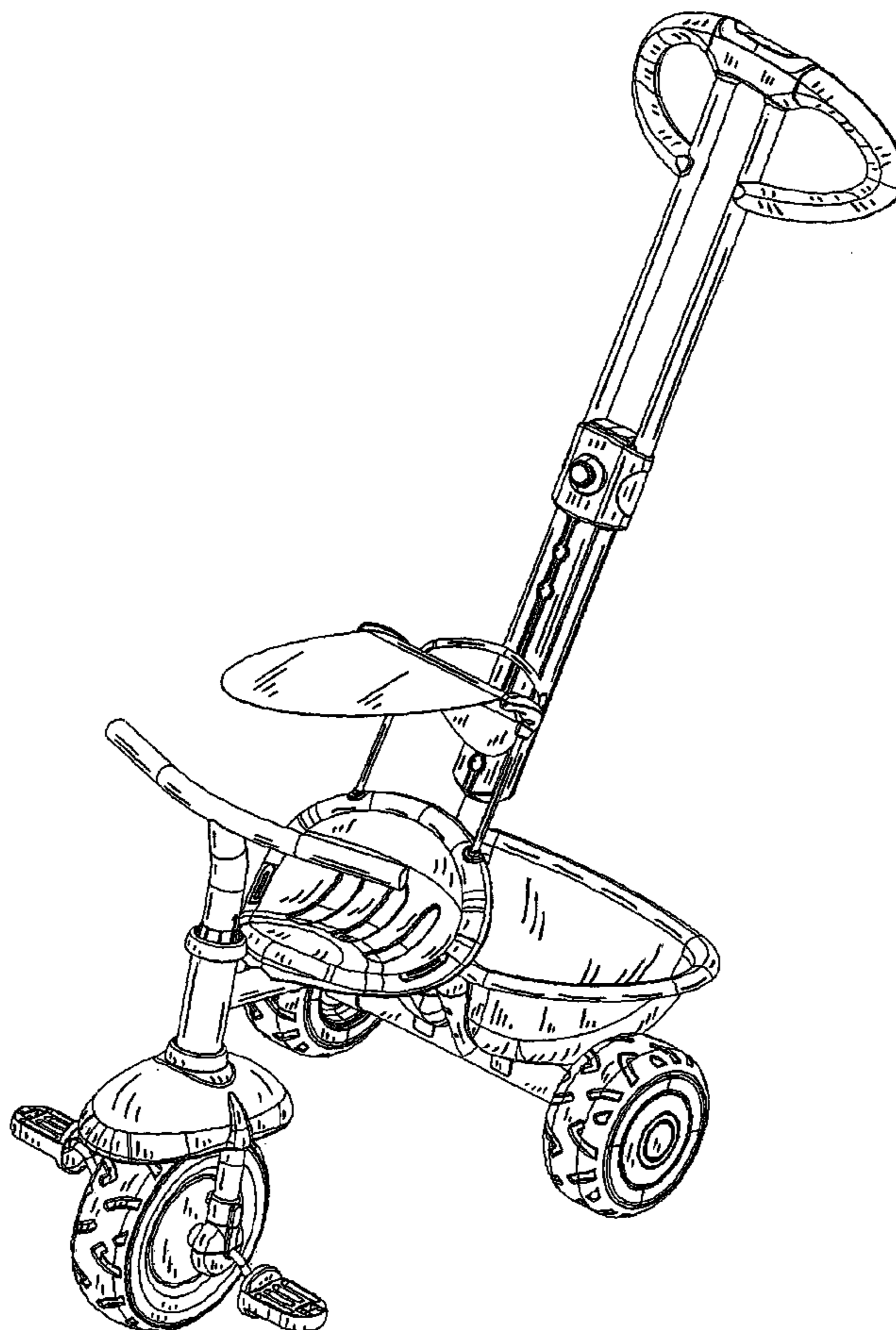
FIG. 2 is a top view thereof;

FIG. 3 is a side view thereof;

FIG. 4 is a front view thereof; and,

FIG. 5 is a rear view thereof.

1 Claim, 5 Drawing Sheets



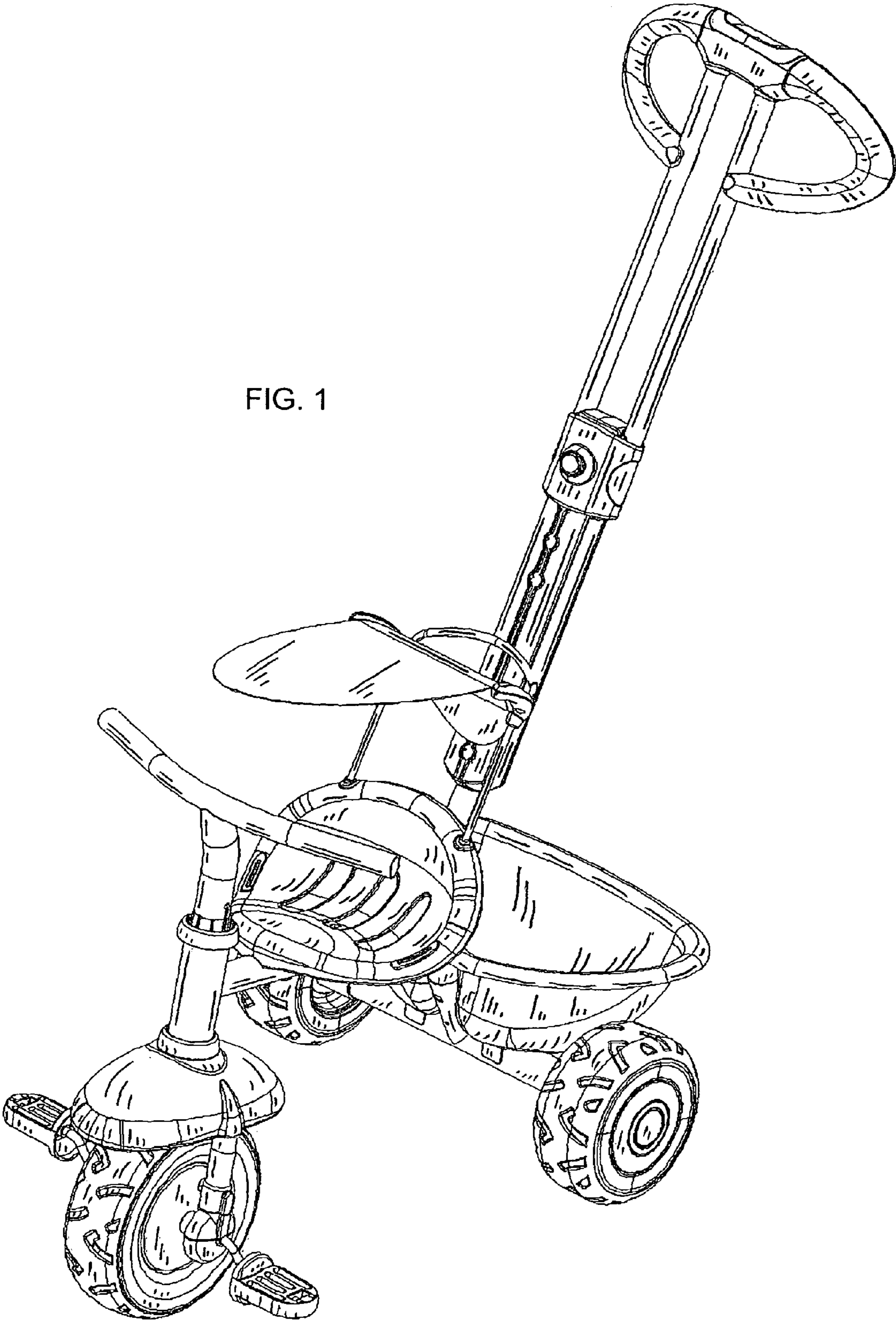


FIG. 1

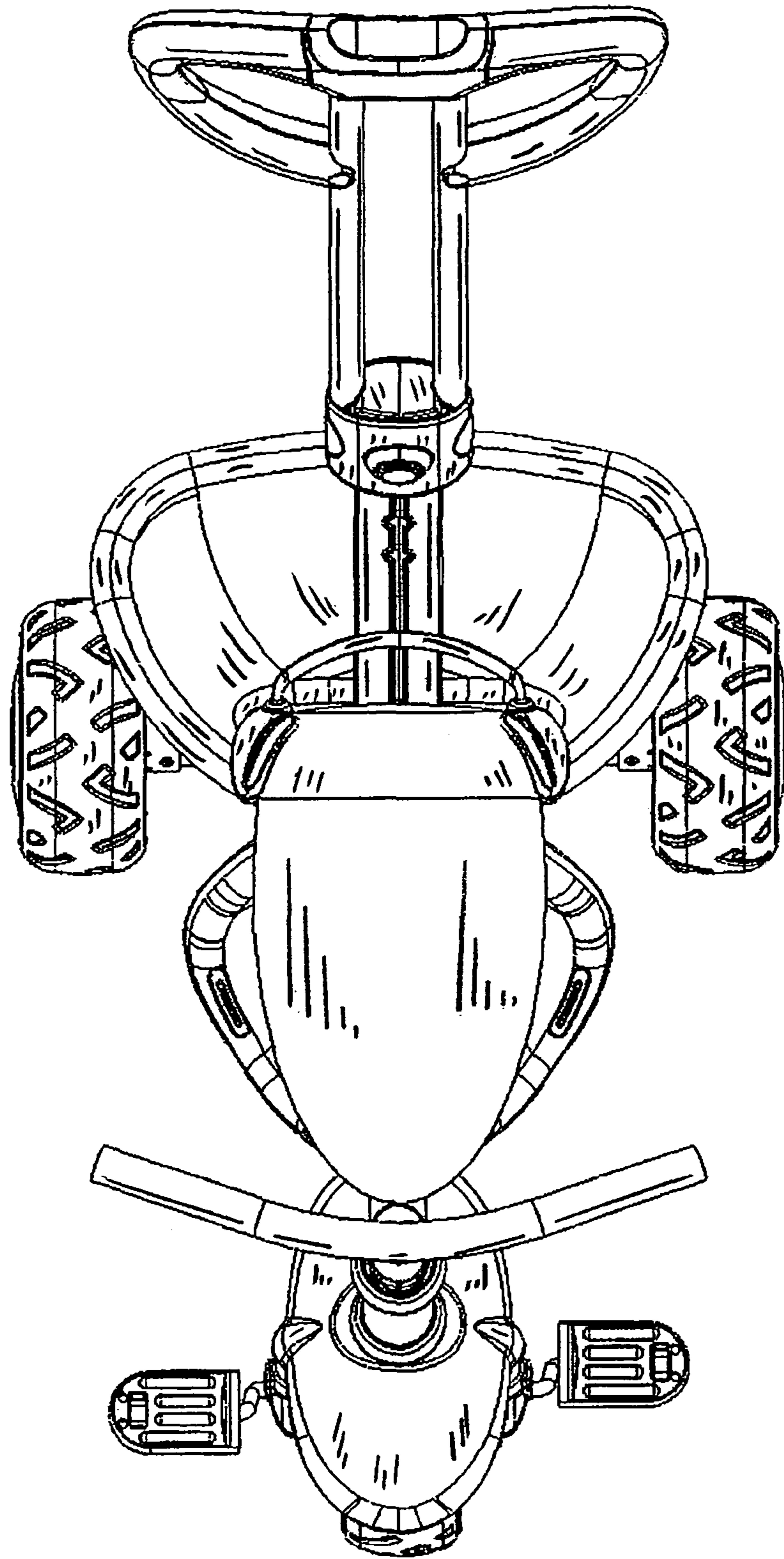
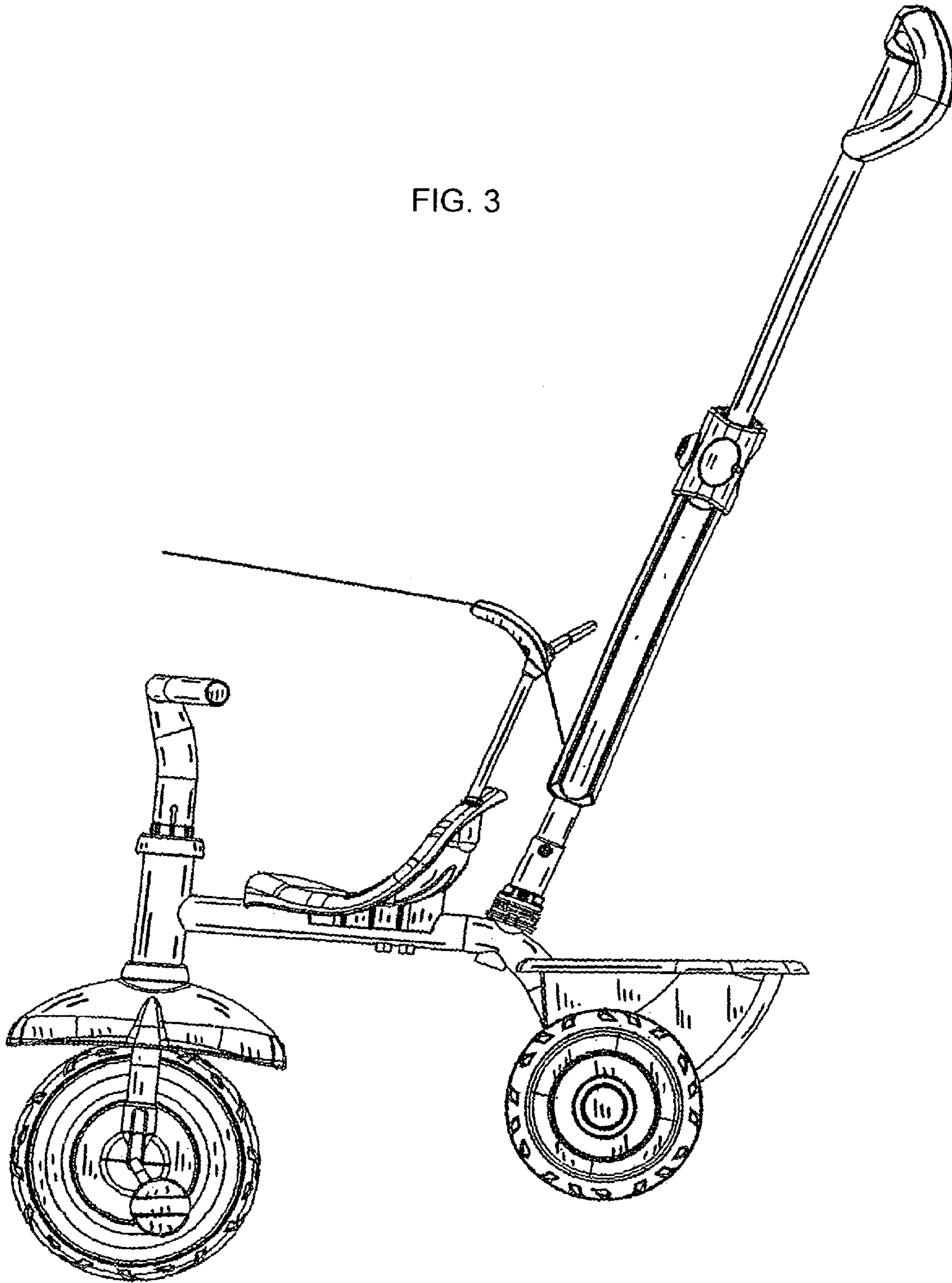


FIG. 2

FIG. 3



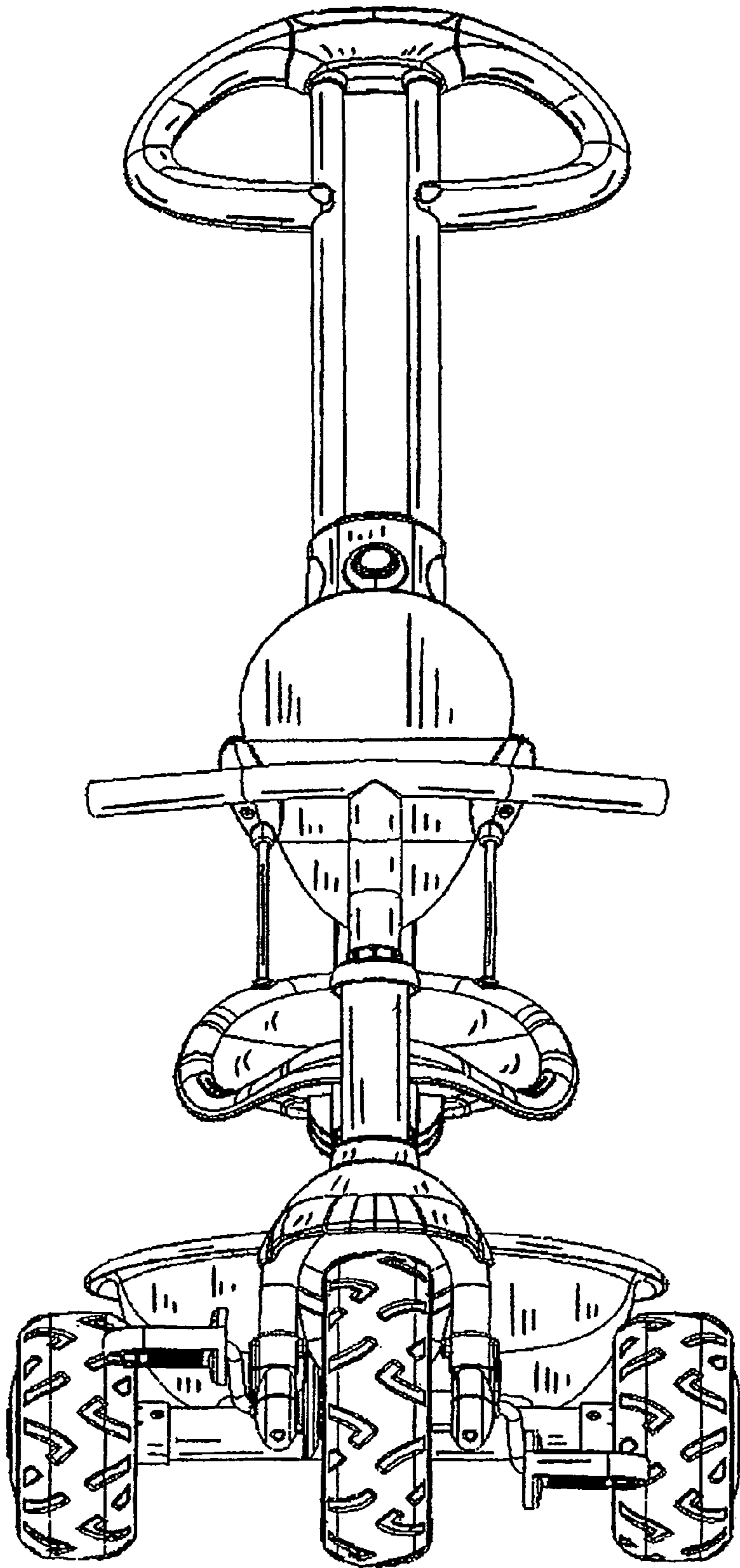


FIG. 4

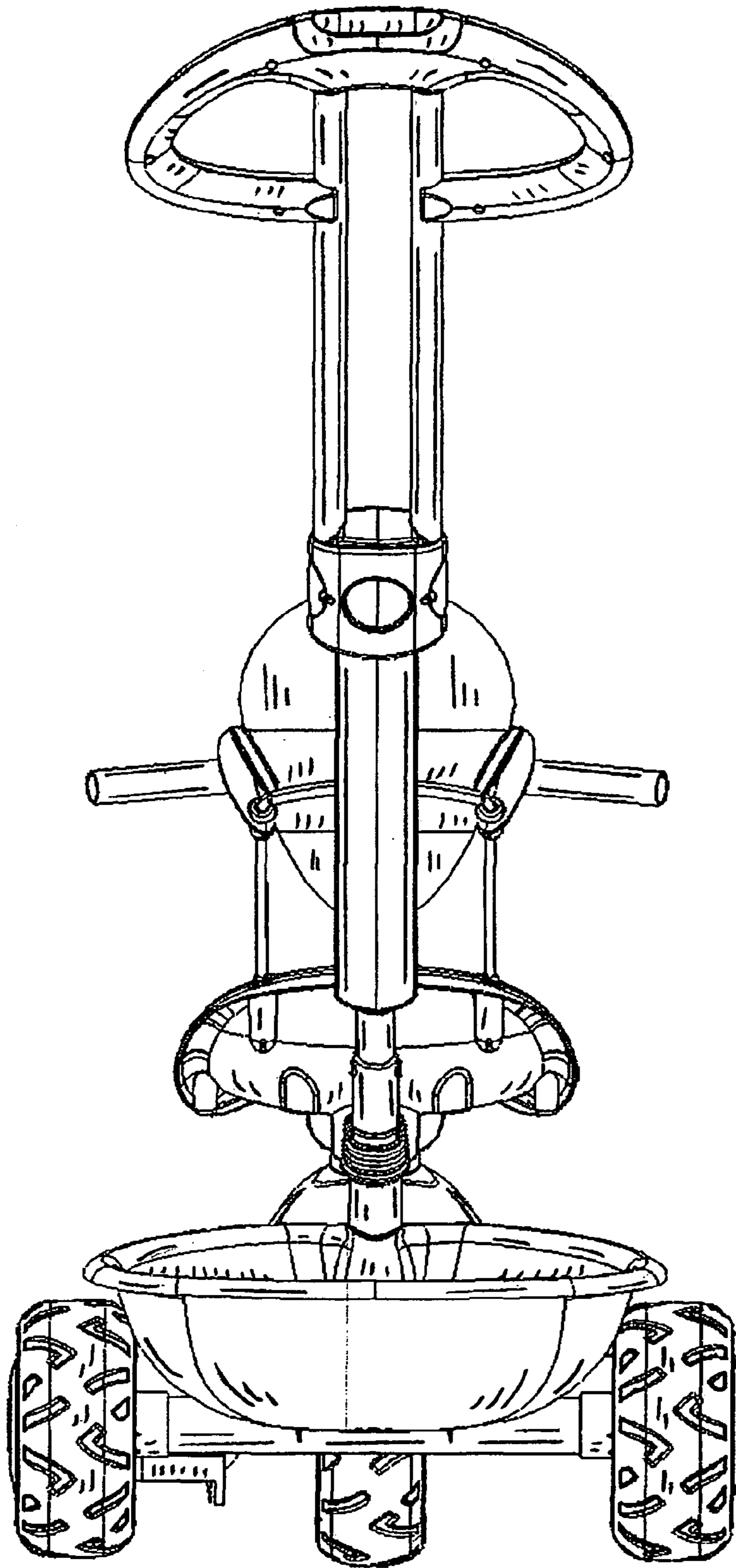


FIG. 5