



US00D555044S

(12) **United States Design Patent**
Balscheit

(10) **Patent No.:** **US D555,044 S**

(45) **Date of Patent:** **** Nov. 13, 2007**

(54) **DISPLAY TRAILER**

(75) Inventor: **Marcus Balscheit**, 1-3 Inkerman Street,
St. Kilda, Victoria 3182 (AU)

(73) Assignee: **Marcus Balscheit**, St. Kilda (AU)

(**) Term: **14 Years**

(21) Appl. No.: **29/240,010**

(22) Filed: **Oct. 6, 2005**

(30) **Foreign Application Priority Data**

Apr. 6, 2005 (AU) 11387/2005

(51) **LOC (8) Cl.** **12-10**

(52) **U.S. Cl.** **D12/101; D20/19**

(58) **Field of Classification Search** D12/101-102,
D12/105-106, 93, 400; 296/181.1, 185.1,
296/168; 280/656, 763.1, 204; D34/12;
D15/27; 414/462; D20/19, 21, 39; 40/590
See application file for complete search history.

(56) **References Cited**

U.S. PATENT DOCUMENTS

D253,654 S *	12/1979	Davis	D15/127
D295,271 S *	4/1988	Anderson	D12/101
D300,416 S *	3/1989	Britten	D12/101
5,083,826 A *	1/1992	McCrary	296/21
D326,070 S *	5/1992	Hollingworth, Jr.	D12/101
D367,071 S *	2/1996	McKay	D15/27
D369,328 S *	4/1996	Acosta	D12/101
D376,564 S *	12/1996	Mishoe	D12/101
D417,172 S *	11/1999	Smith et al.	D12/101
6,393,746 B1 *	5/2002	Jacobson	40/590
D461,747 S *	8/2002	Martin	D12/101
D534,099 S *	12/2006	Prusmack	D12/101
D544,406 S *	6/2007	Lang	D12/101

* cited by examiner

Primary Examiner—Robert M. Spear

Assistant Examiner—Abraham Bahta

(74) *Attorney, Agent, or Firm*—Harness, Dickey & Pierce,
PLC

(57) **CLAIM**

The ornamental design for a display trailer, as shown and described.

DESCRIPTION

FIG. 1 is a front/left side perspective view of a display trailer having a base and a pivotal display body. The design resides in the pivotal display body relative to the base;

FIG. 2 is a front view of the trailer shown in FIG. 1;

FIG. 3 is a right side view of the trailer shown in FIGS. 1 and 2;

FIG. 4 is a close-up right side perspective view of a wheel of the trailer shown in FIGS. 1-3;

FIG. 5 is a front/left side perspective view of the base of the trailer shown in FIGS. 1-4;

FIG. 6 is a rear/right side perspective view of the base of the trailer shown in FIGS. 1-5;

FIG. 7 is a close-up view of an inner rear portion of the base of the trailer shown in FIGS. 1-6;

FIG. 8 is a top perspective view of a front portion of the trailer shown in FIGS. 1-7;

FIG. 9 is a top/rear perspective view of the trailer of FIGS. 1-8, showing the pivotal display body in a pivotally displaced condition;

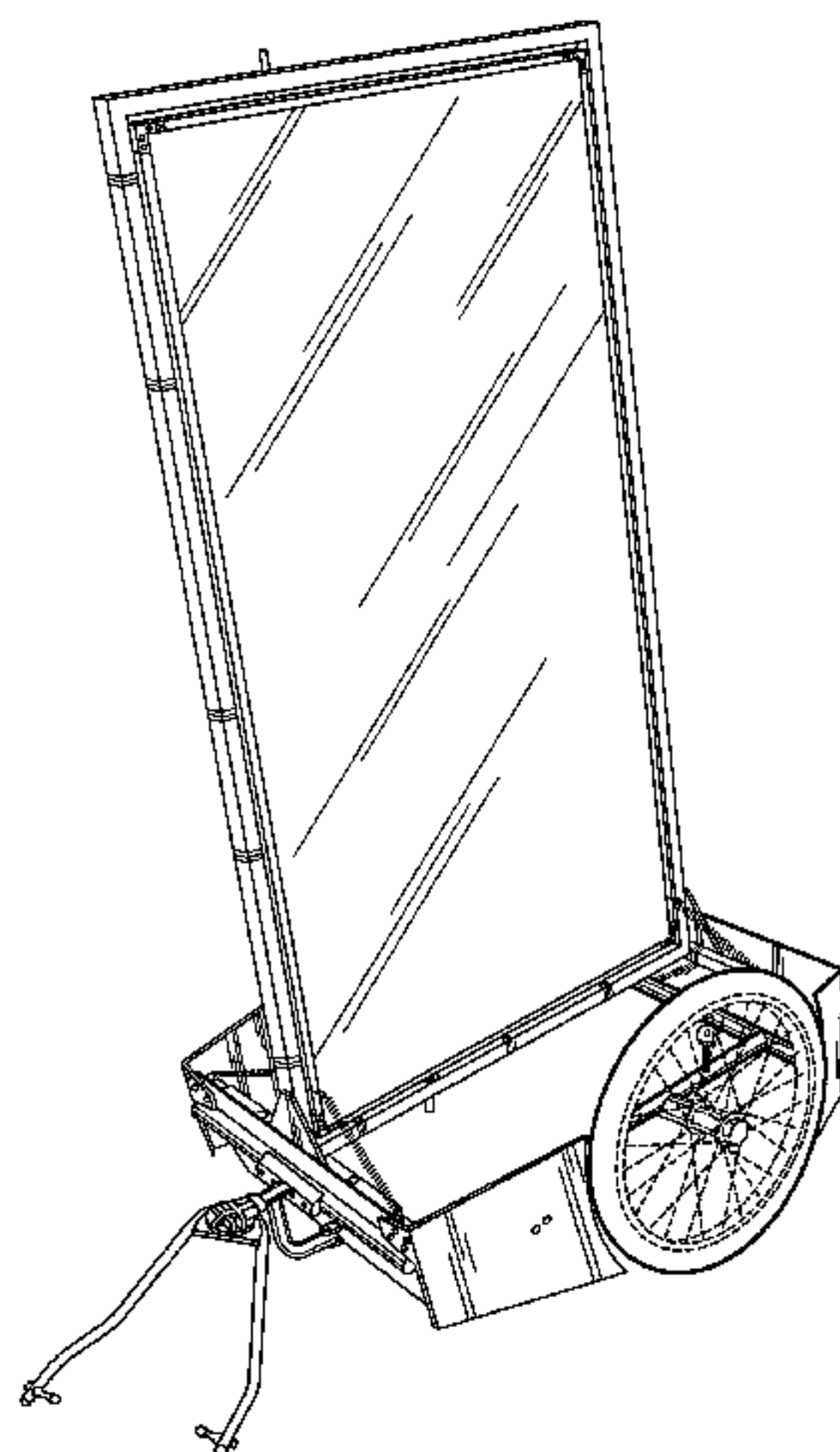
FIG. 10 is a front/left perspective view of the trailer of FIGS. 1-9, showing the pivotal display body in a pivotally displaced condition;

FIG. 11 is a top/left side perspective view of the base of the trailer of FIGS. 1-10, showing the pivotal display body of the trailer in a pivotally displaced condition; and,

FIG. 12 is a view of an underside of the trailer of FIGS. 1-11.

The broken lines shown in the drawings are for illustrative purposes only and form no part of the claimed design.

1 Claim, 12 Drawing Sheets



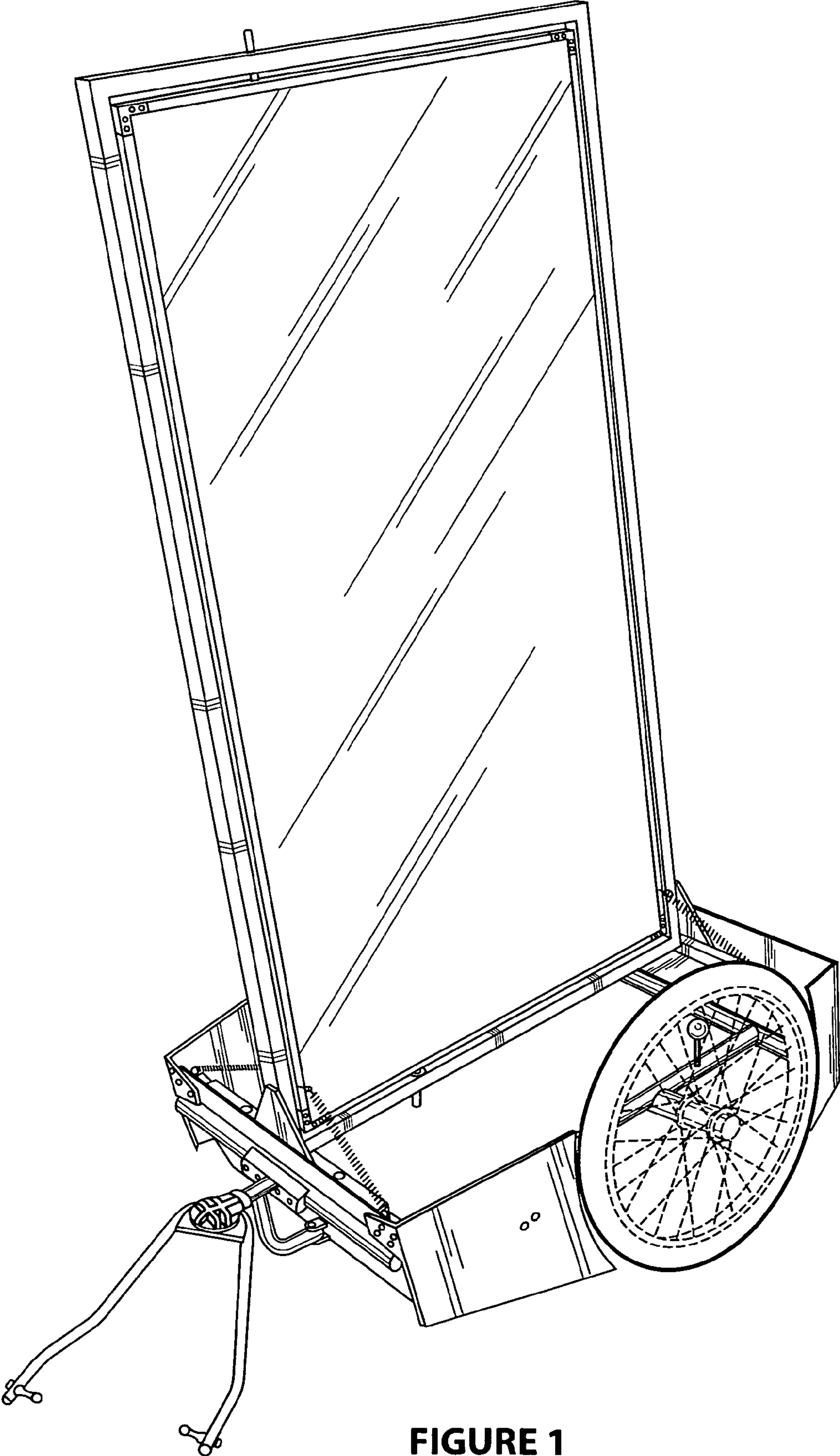


FIGURE 1

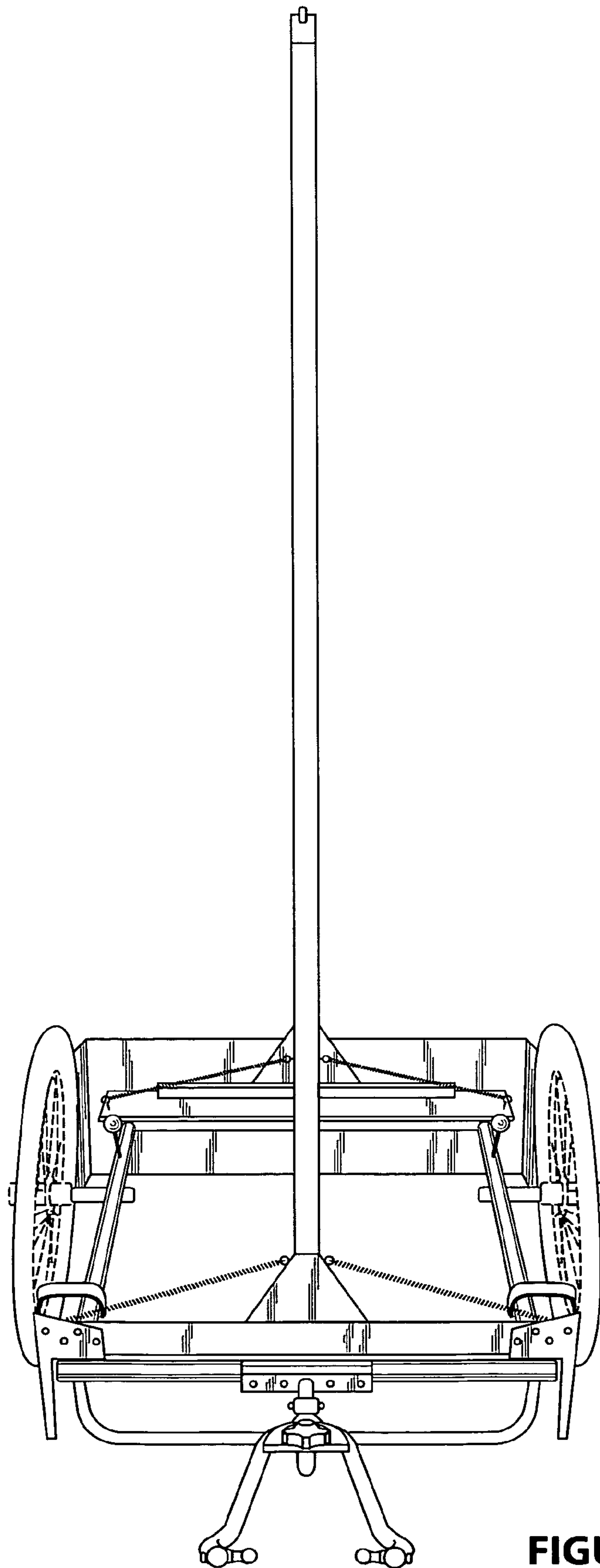


FIGURE 2

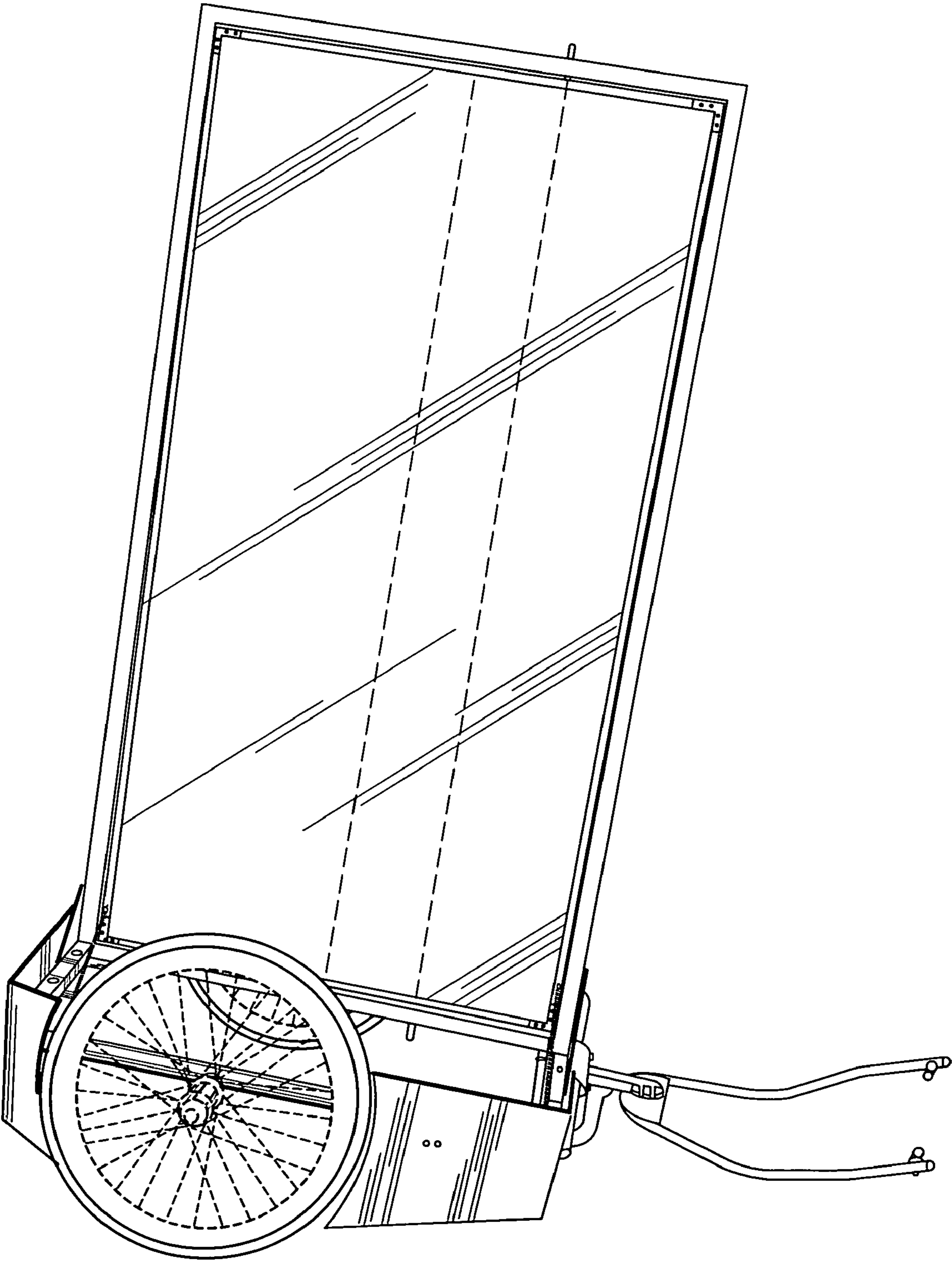


FIGURE 3

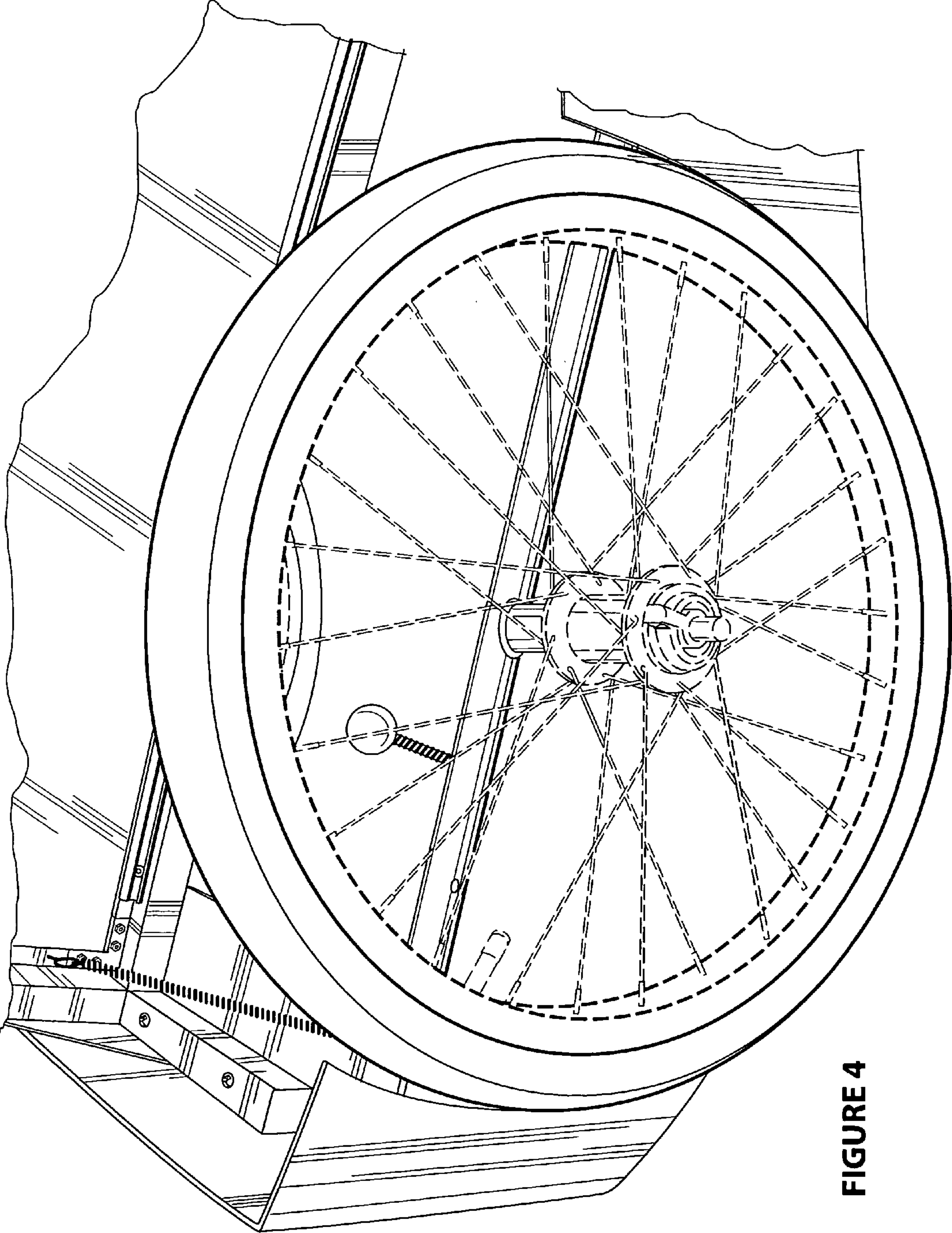


FIGURE 4

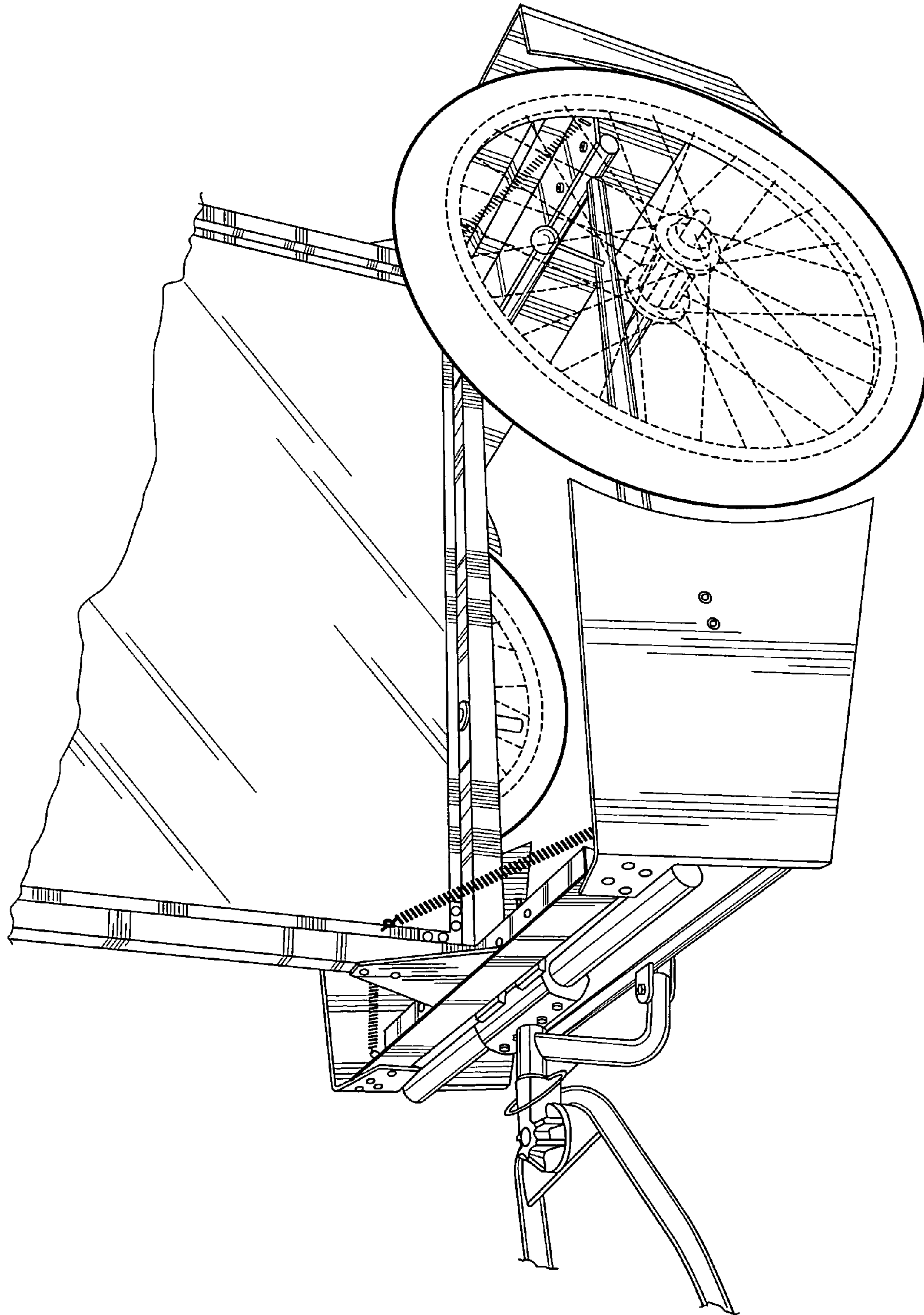


FIGURE 5

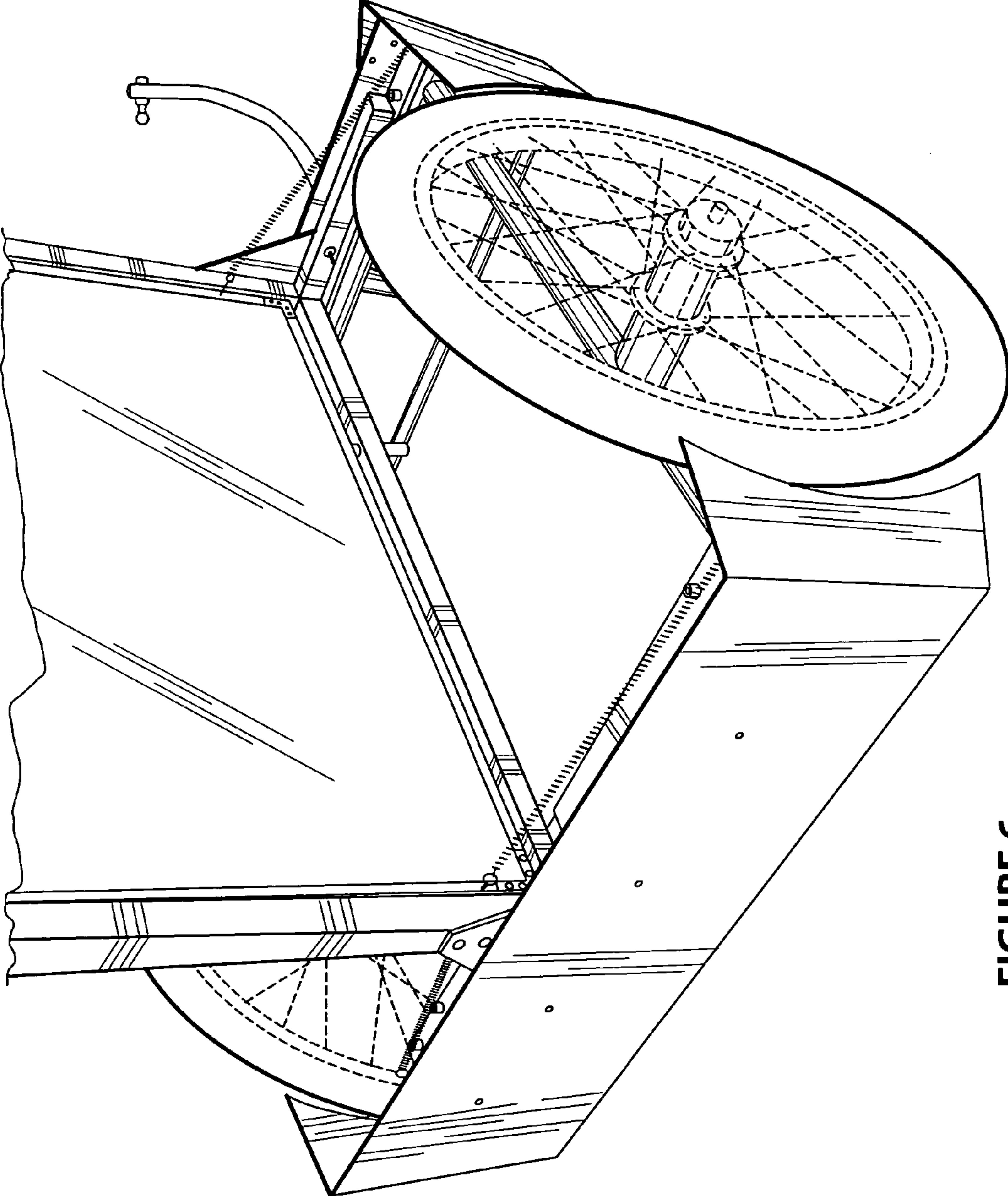


FIGURE 6

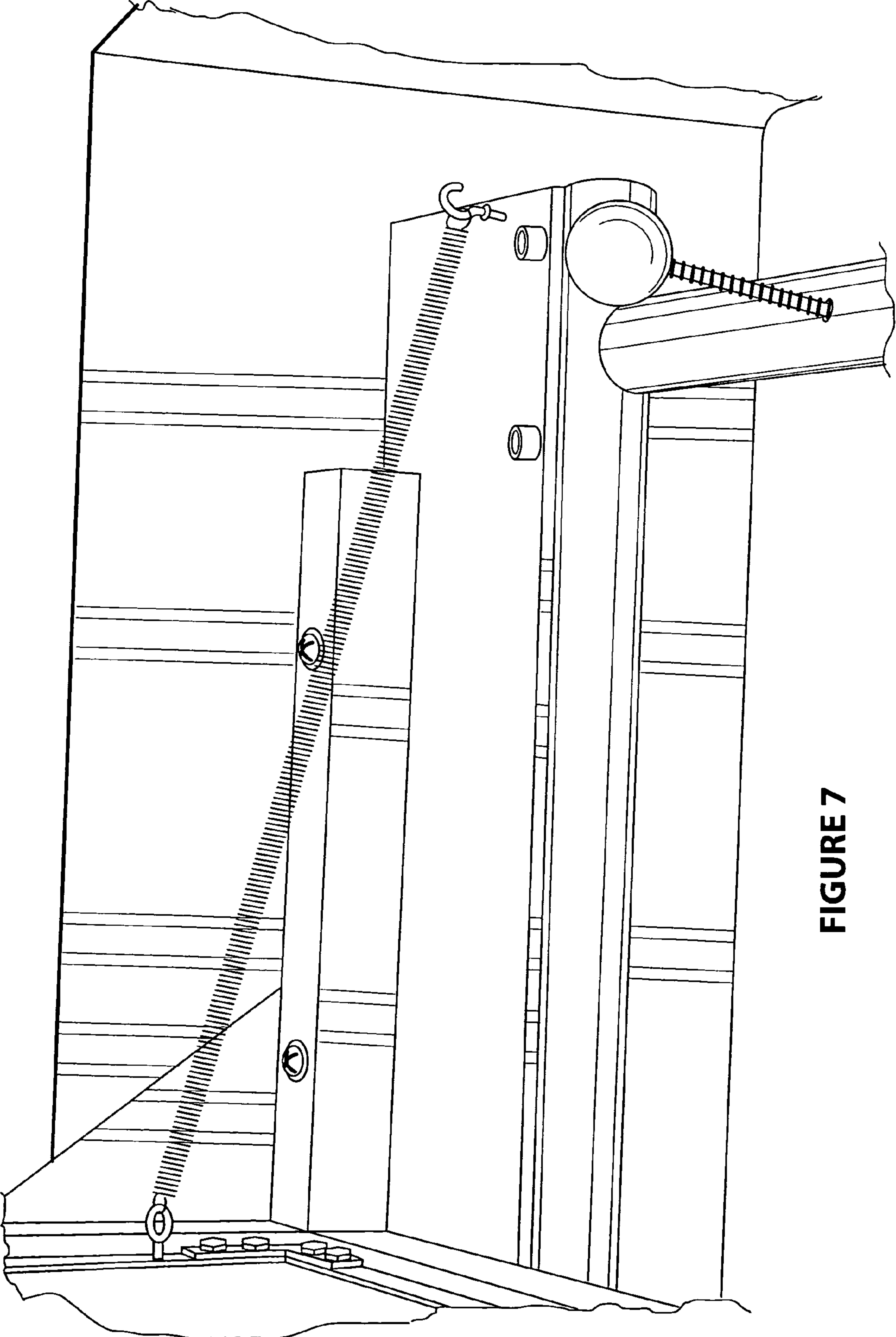


FIGURE 7

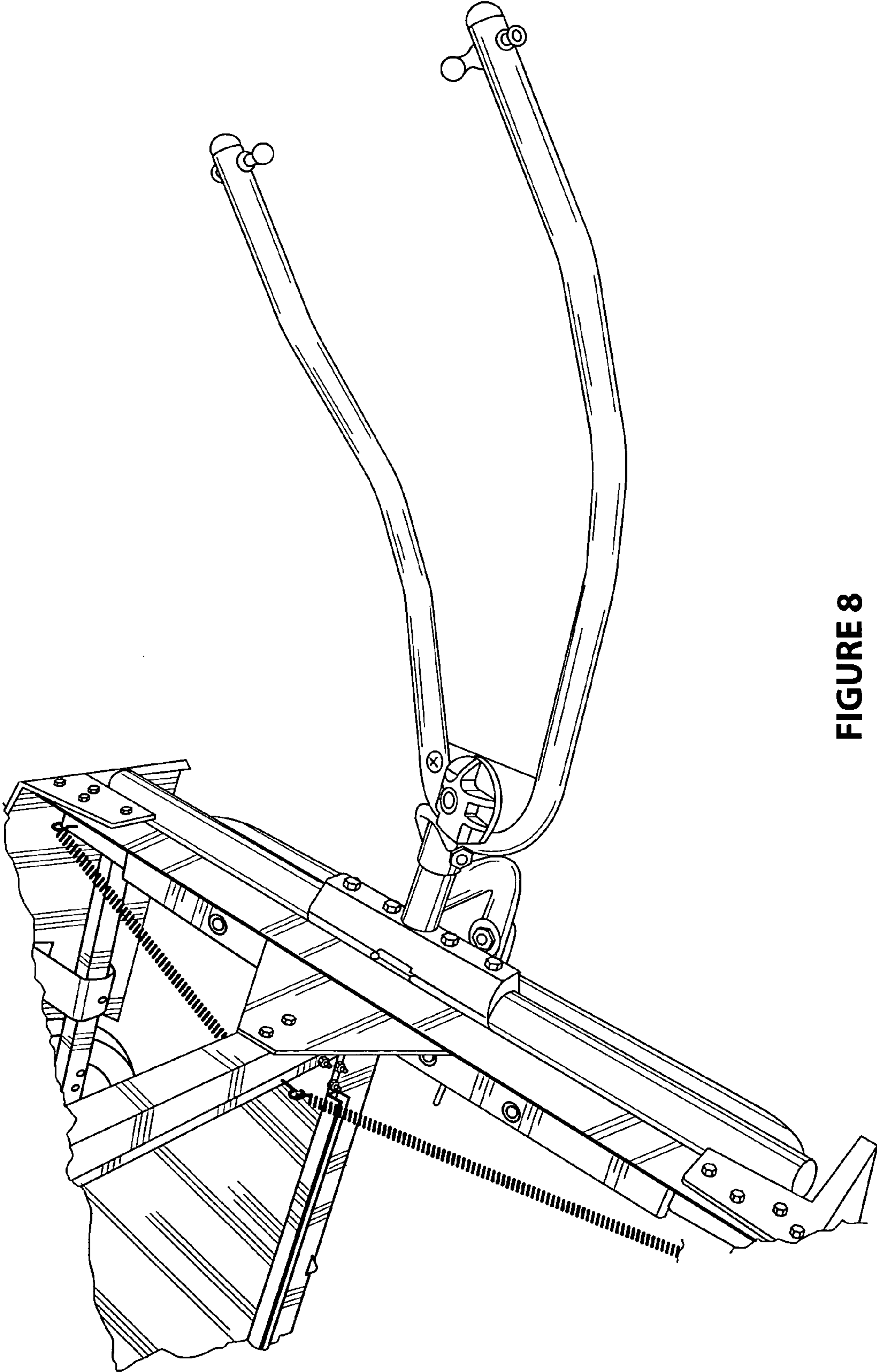


FIGURE 8

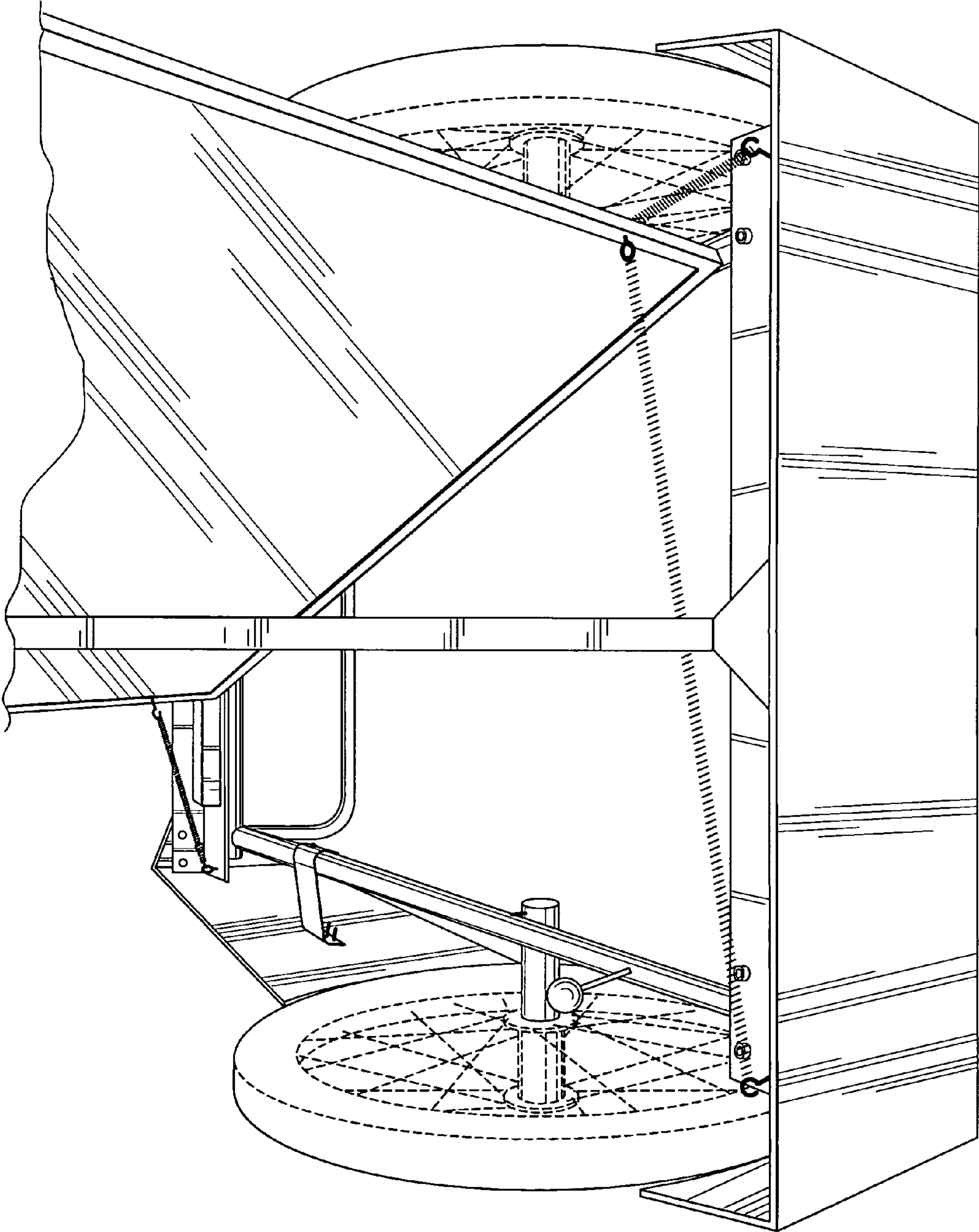


FIGURE 9

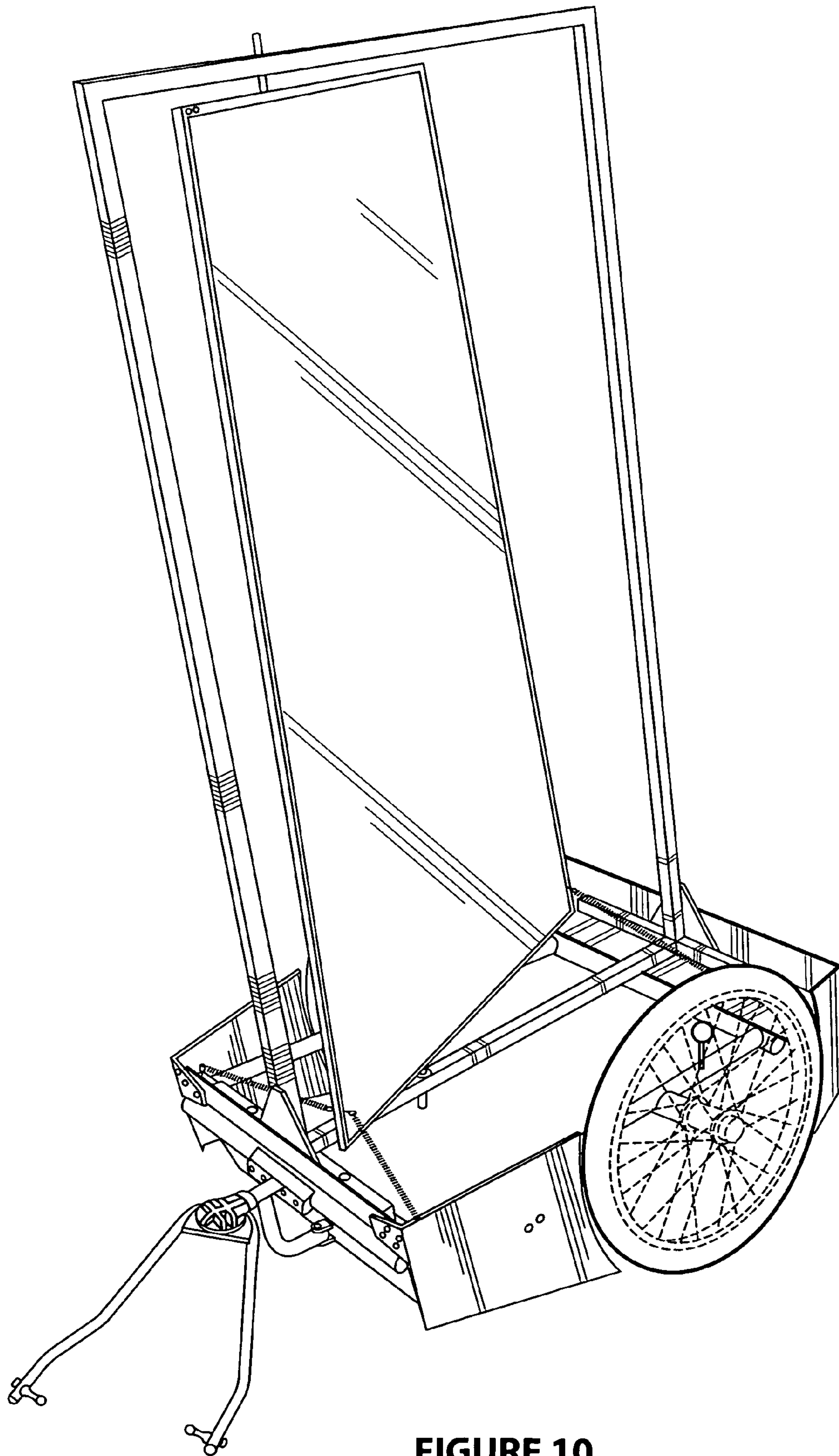


FIGURE 10

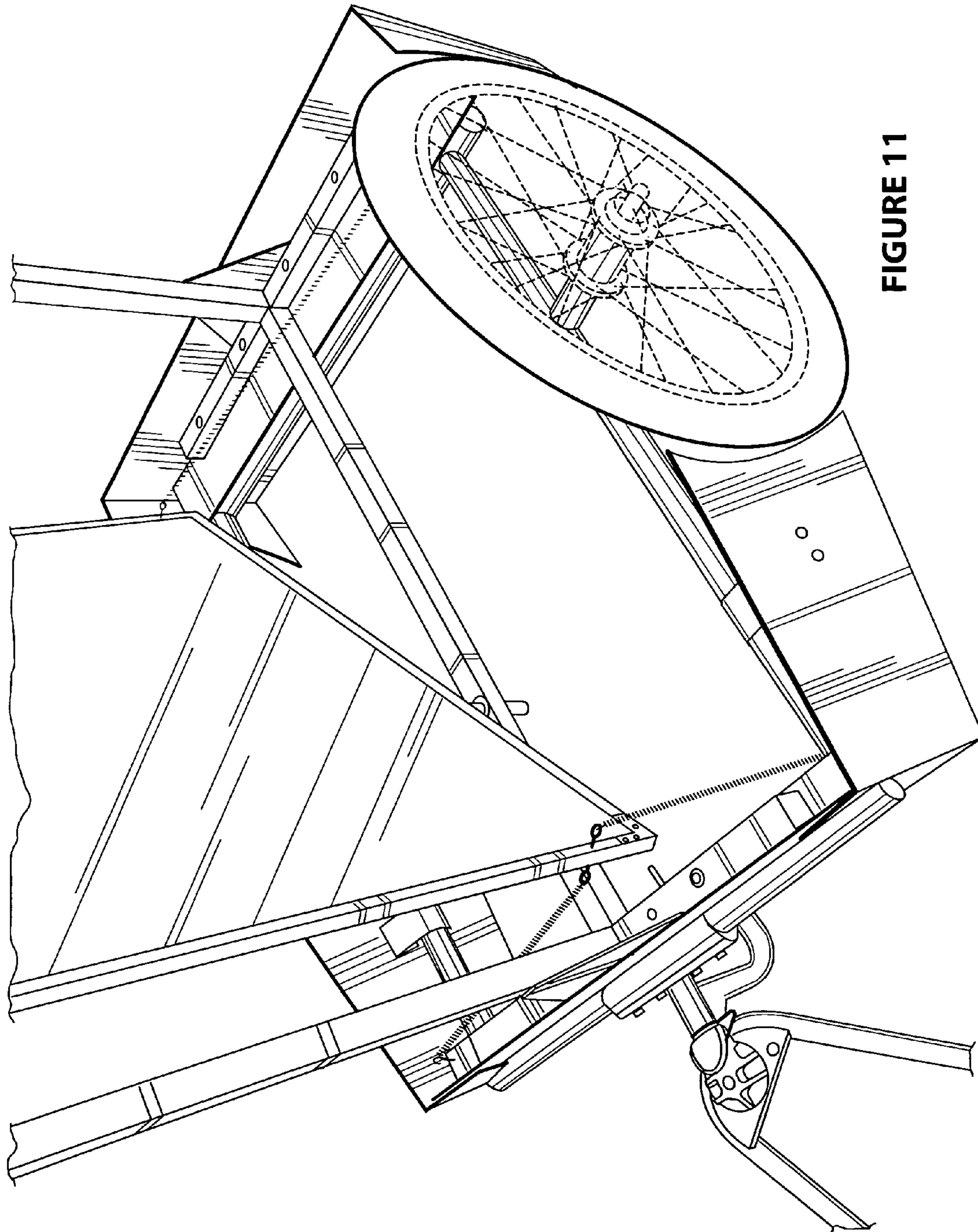


FIGURE 11

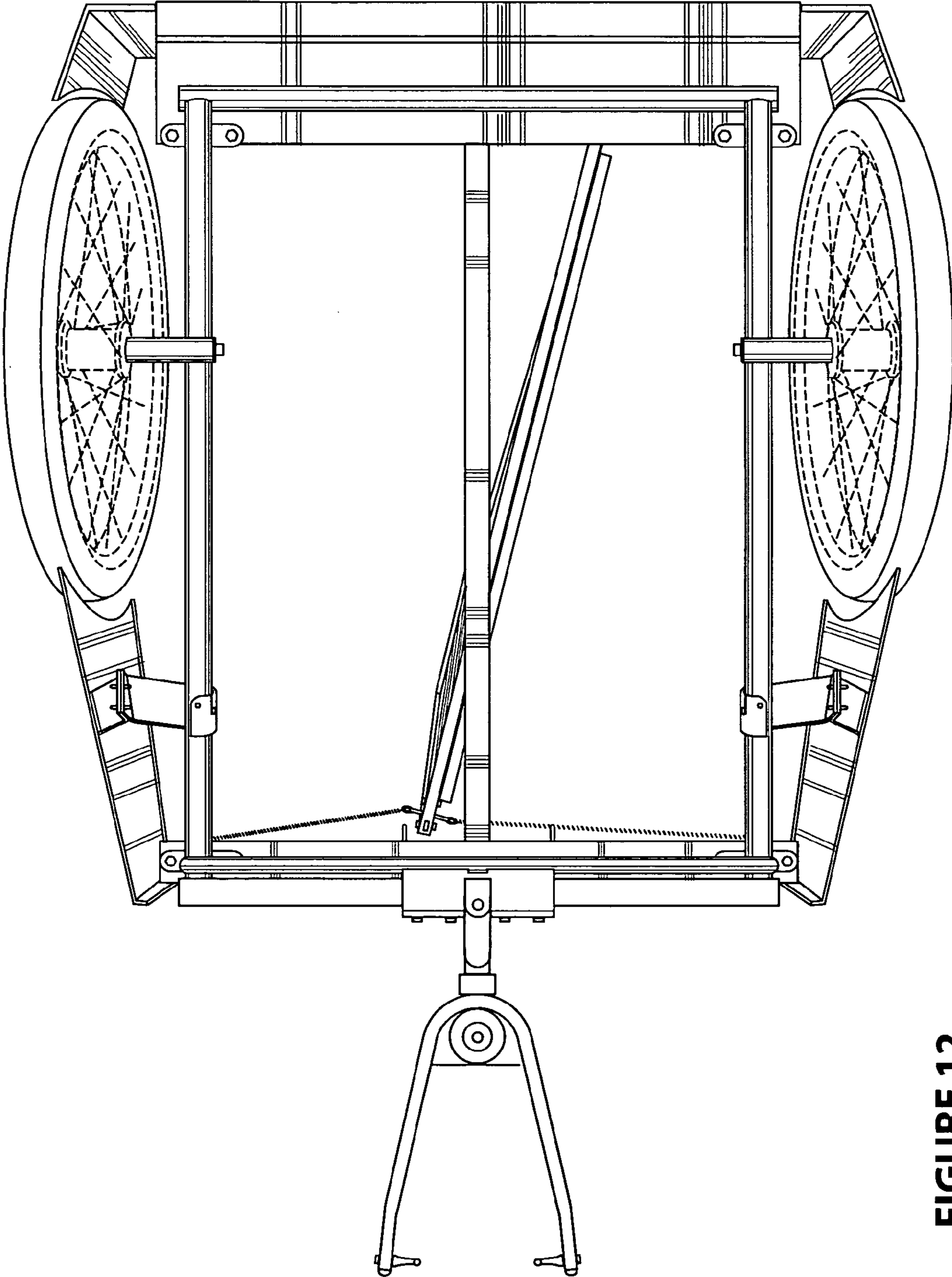


FIGURE 12