



US00D555043S

(12) **United States Design Patent** (10) **Patent No.:** **US D555,043 S**  
**Starr** (45) **Date of Patent:** **\*\* Nov. 13, 2007**

(54) **THREE-WHEELED PICKUP TRUCK**

(74) *Attorney, Agent, or Firm*—Jay P. Hendrickson

(75) Inventor: **Gary Starr**, Sebastopol, CA (US)

(57) **CLAIM**

(73) Assignee: **ZAP**, Santa Rosa, CA (US)

The ornamental design for a three-wheeled pickup truck, as shown and described.

(\*\*) Term: **14 Years**

(21) Appl. No.: **29/268,212**

**DESCRIPTION**

(22) Filed: **Oct. 31, 2006**

FIG. 1 is a front perspective view of a three-wheeled pickup truck showing the design.

(51) **LOC (8) Cl.** ..... **12-08**

FIG. 2 is a left side elevational view of the three-wheeled pickup truck showing the design.

(52) **U.S. Cl.** ..... **D12/98; D12/85**

FIG. 3 is a right side elevational view of the three-wheeled pickup truck showing the design.

(58) **Field of Classification Search** ..... D12/1,  
D12/85, 86, 98, 16, 107; 296/181.1, 181.5,  
296/190.1, 190.3; D21/424, 433; 180/233,  
180/908

FIG. 4 is a front elevational view of the three-wheeled pickup truck showing the design.

See application file for complete search history.

FIG. 5 is a rear elevational view of the three-wheeled pickup truck showing the design.

(56) **References Cited**

**U.S. PATENT DOCUMENTS**

D287,477 S *	12/1986	Takasu	.....	D12/85
D296,090 S *	6/1988	Huss	.....	D12/85
D320,958 S *	10/1991	Kimura et al.	.....	D12/85
D356,285 S *	3/1995	Yang	.....	D12/85

FIG. 6 is a top plan view of the three-wheeled pickup truck showing the design; and,

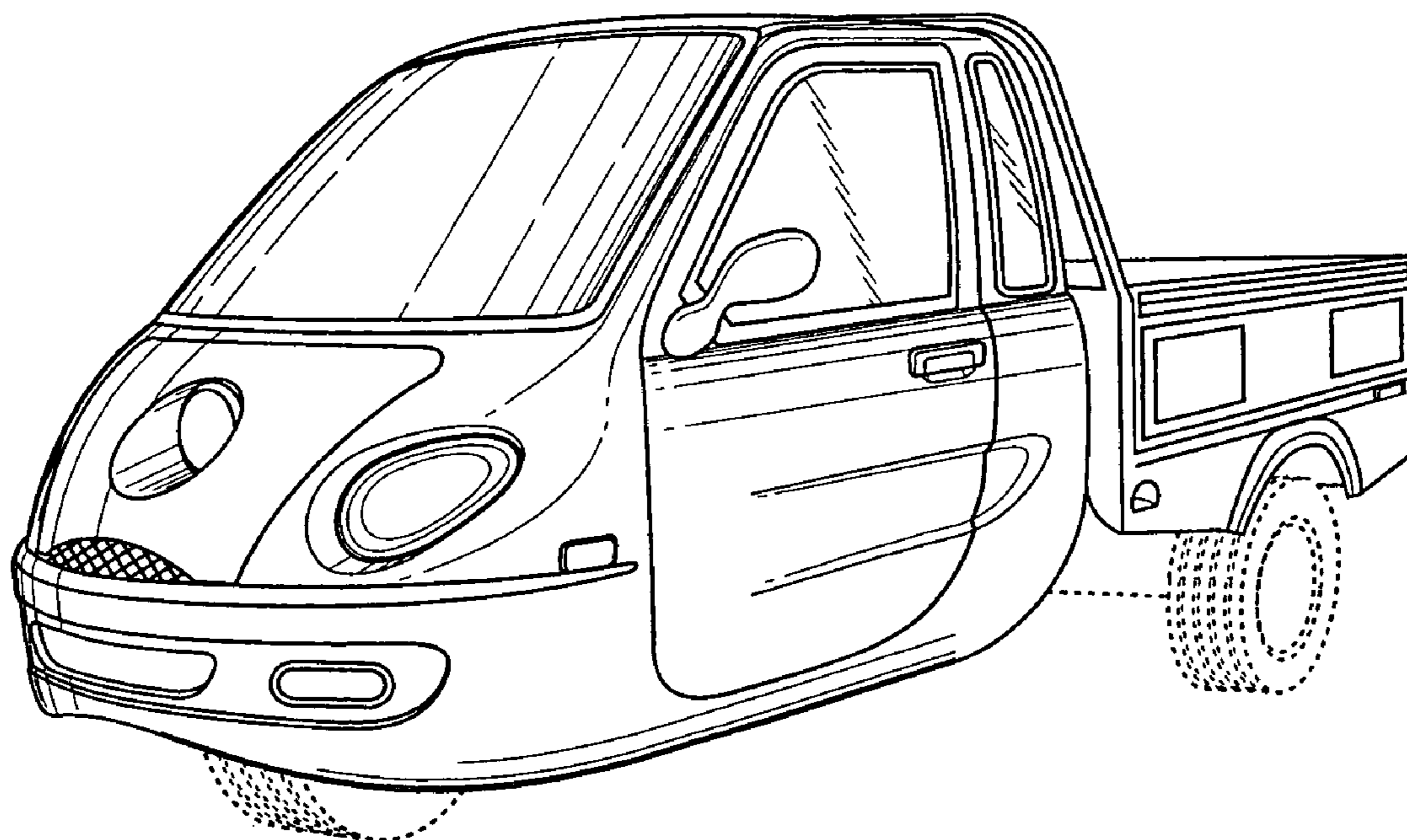
FIG. 7 is a bottom plan view of the three-wheeled pickup truck showing the design.

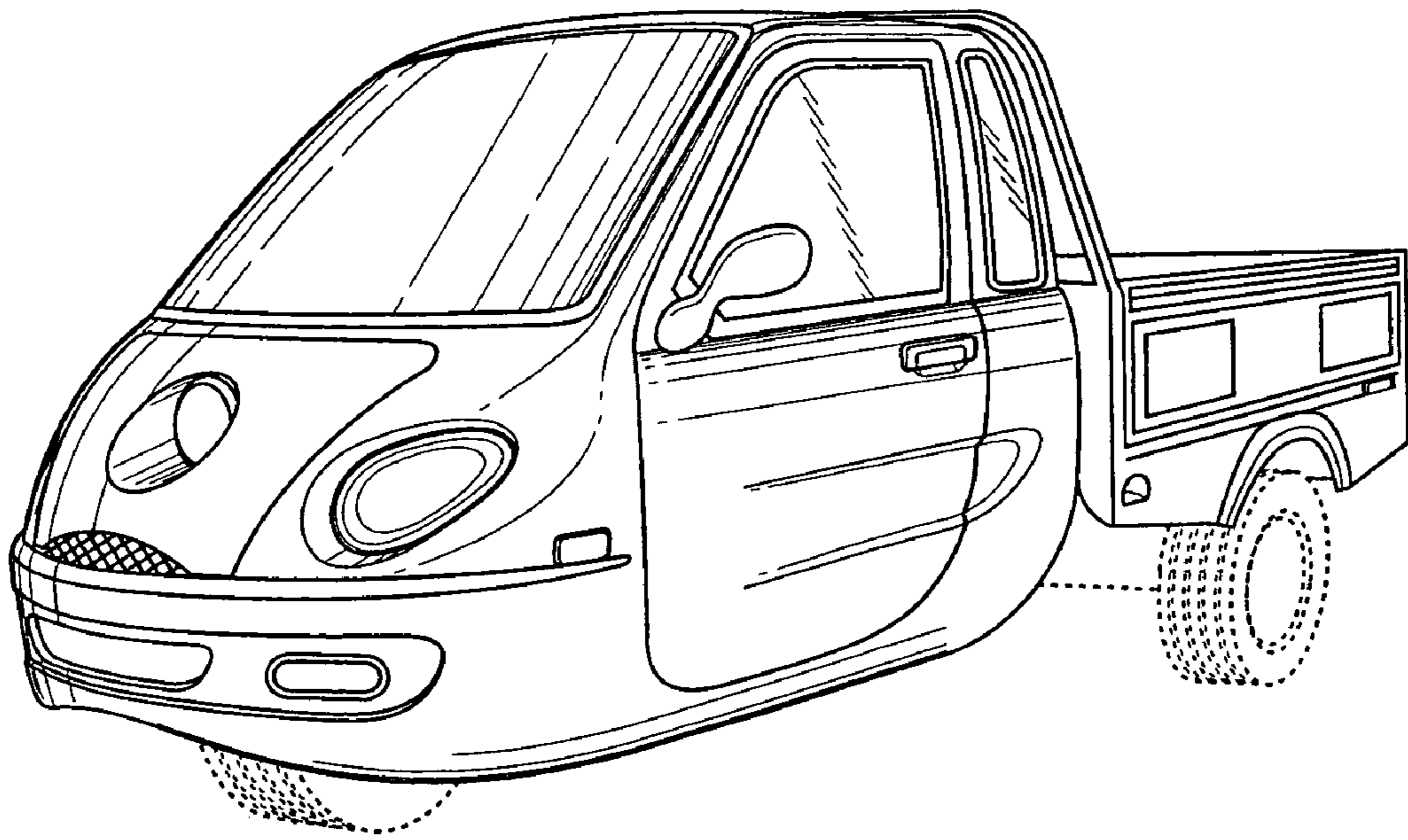
\* cited by examiner

The wheels shown in broken lines are for illustrative purposes only and form no part of the claimed design.

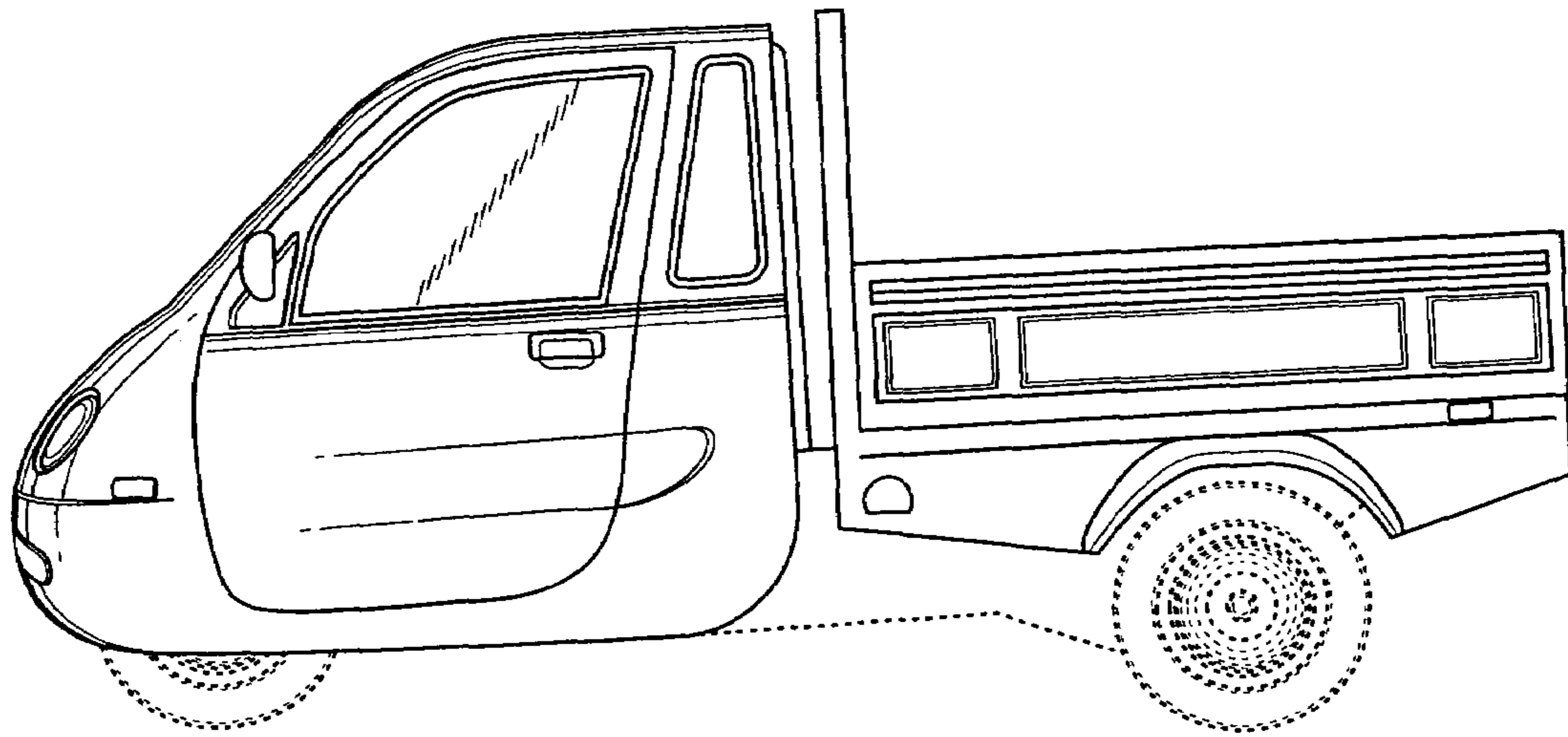
*Primary Examiner*—Melody N. Brown

**1 Claim, 7 Drawing Sheets**

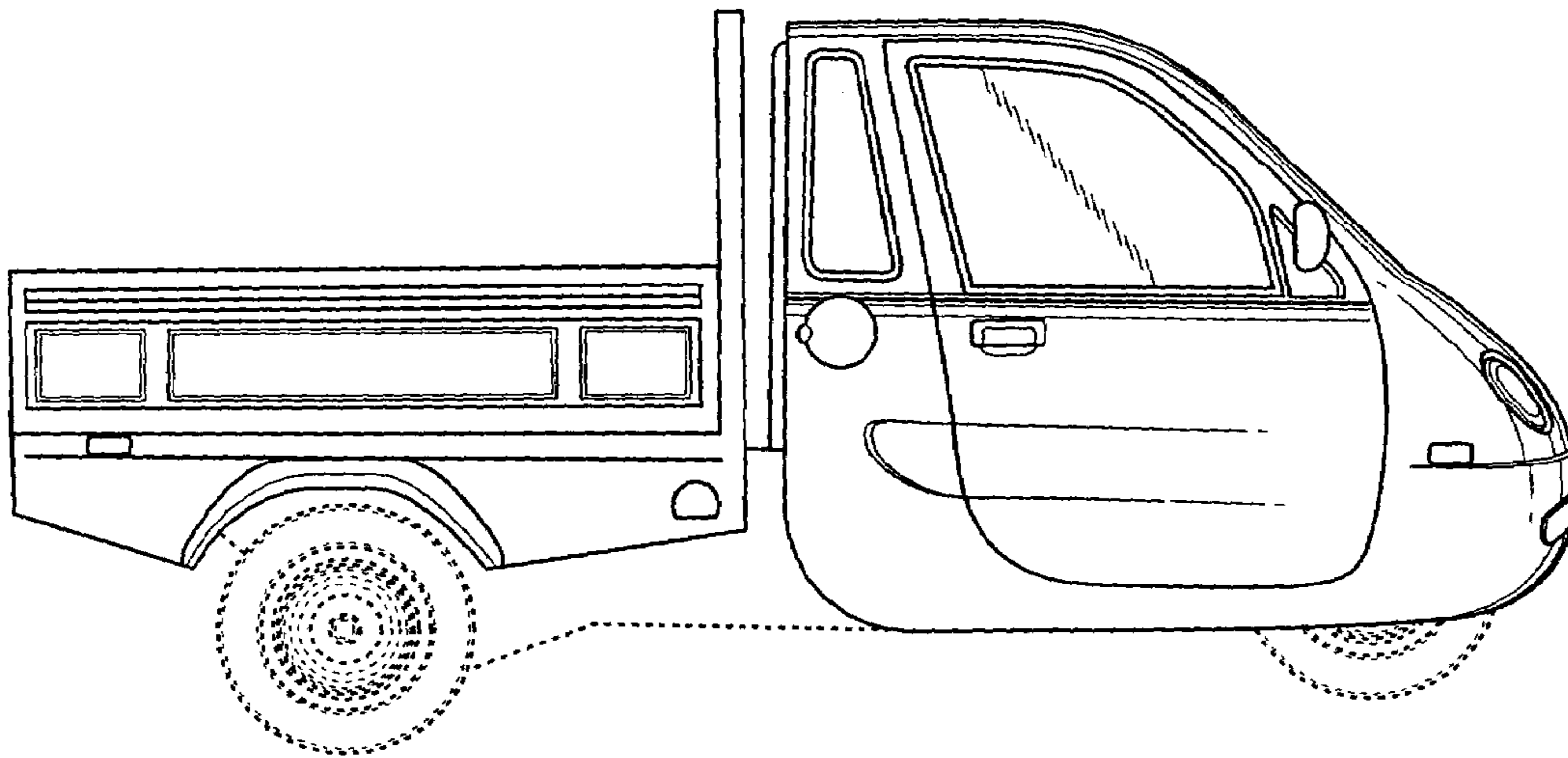




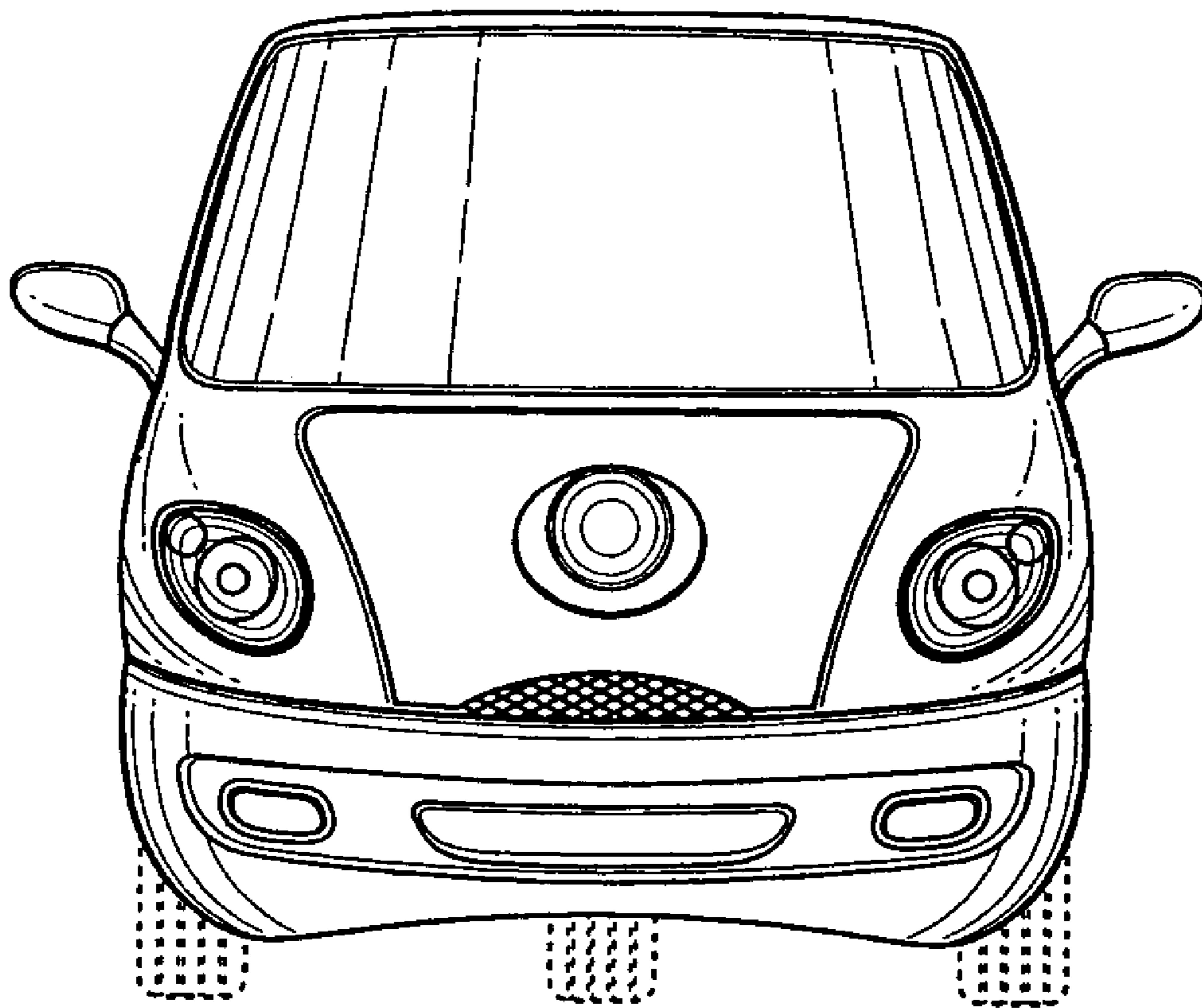
**Fig. 1**



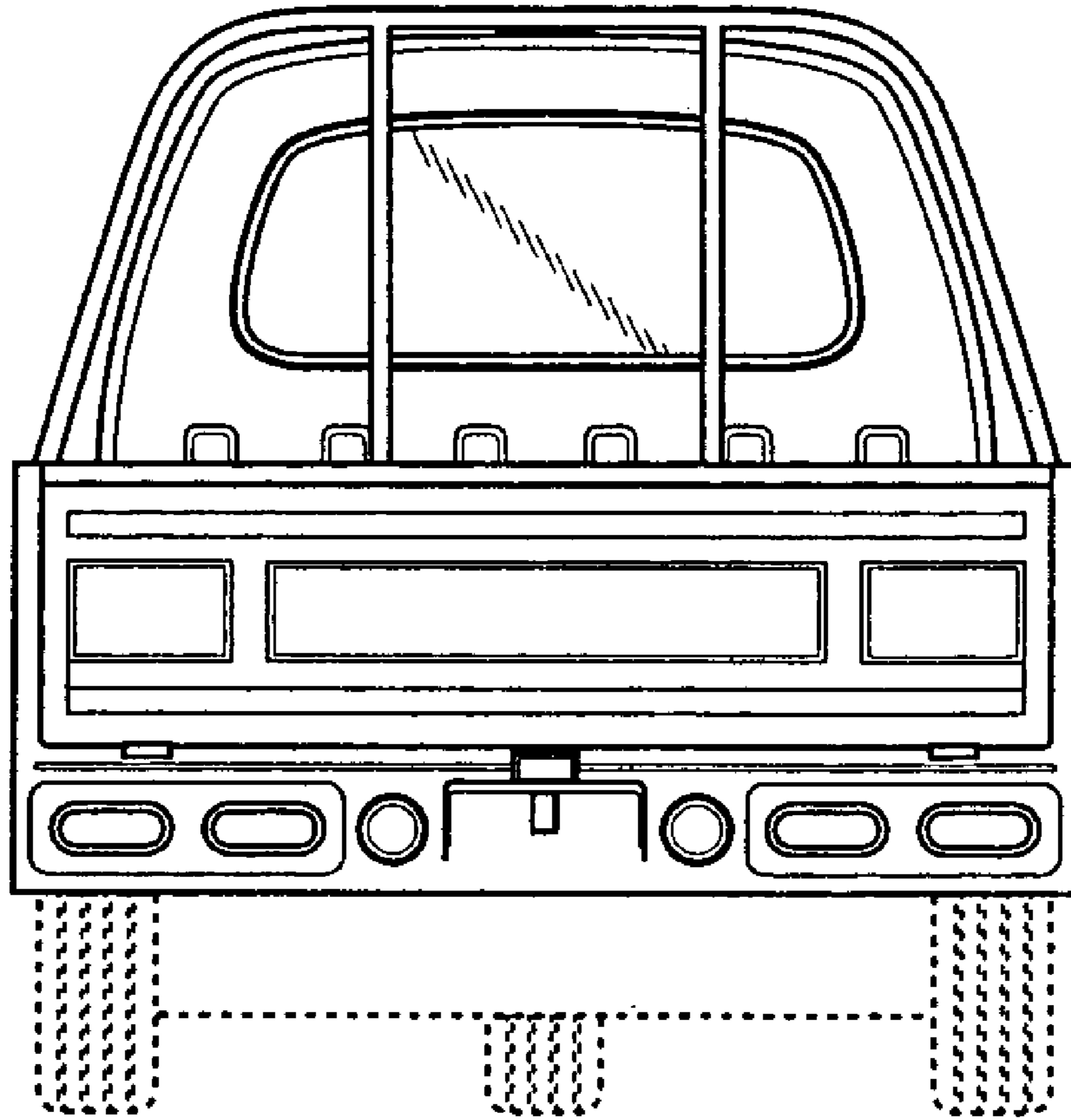
**Fig. 2**



**Fig. 3**

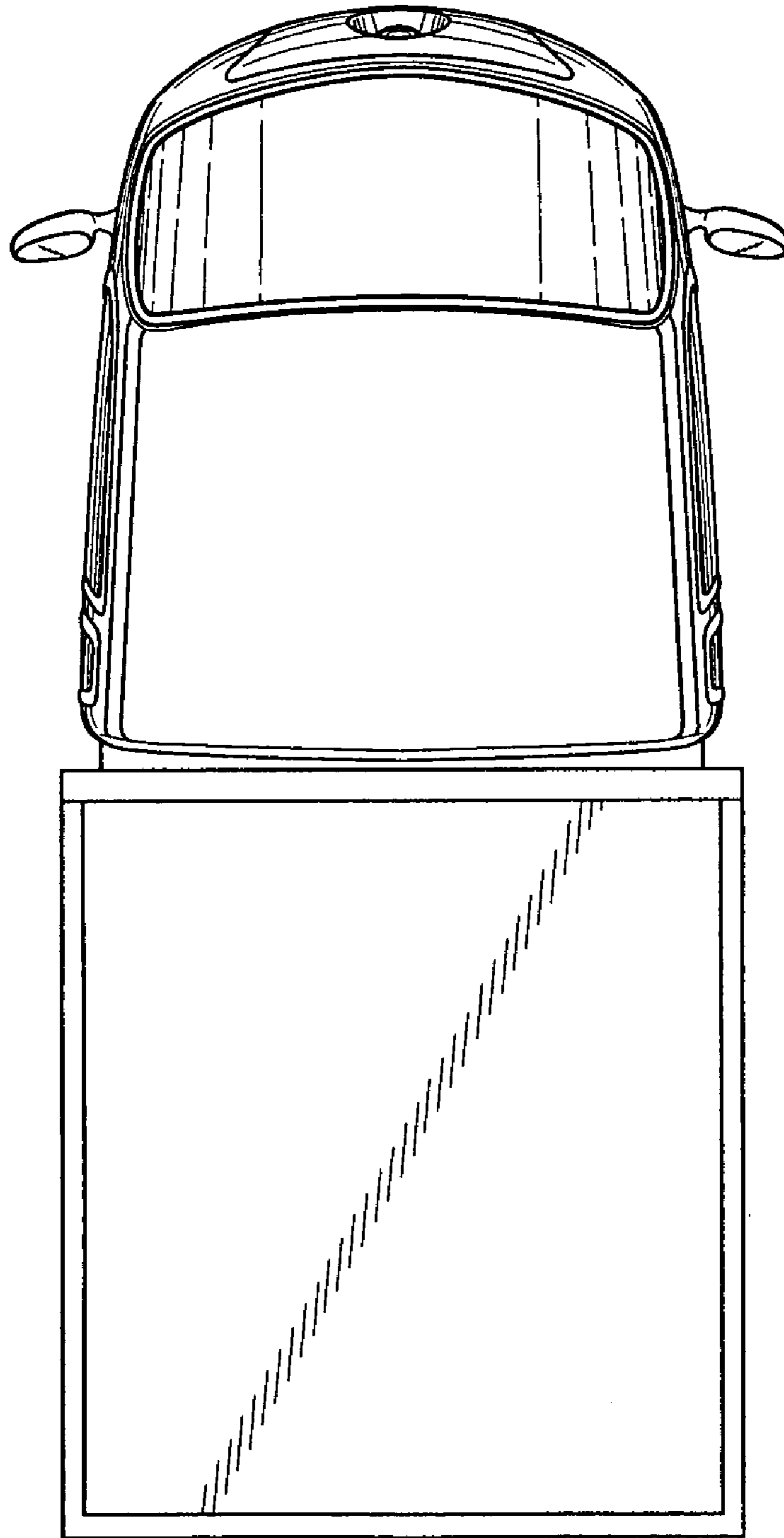


**Fig. 4**

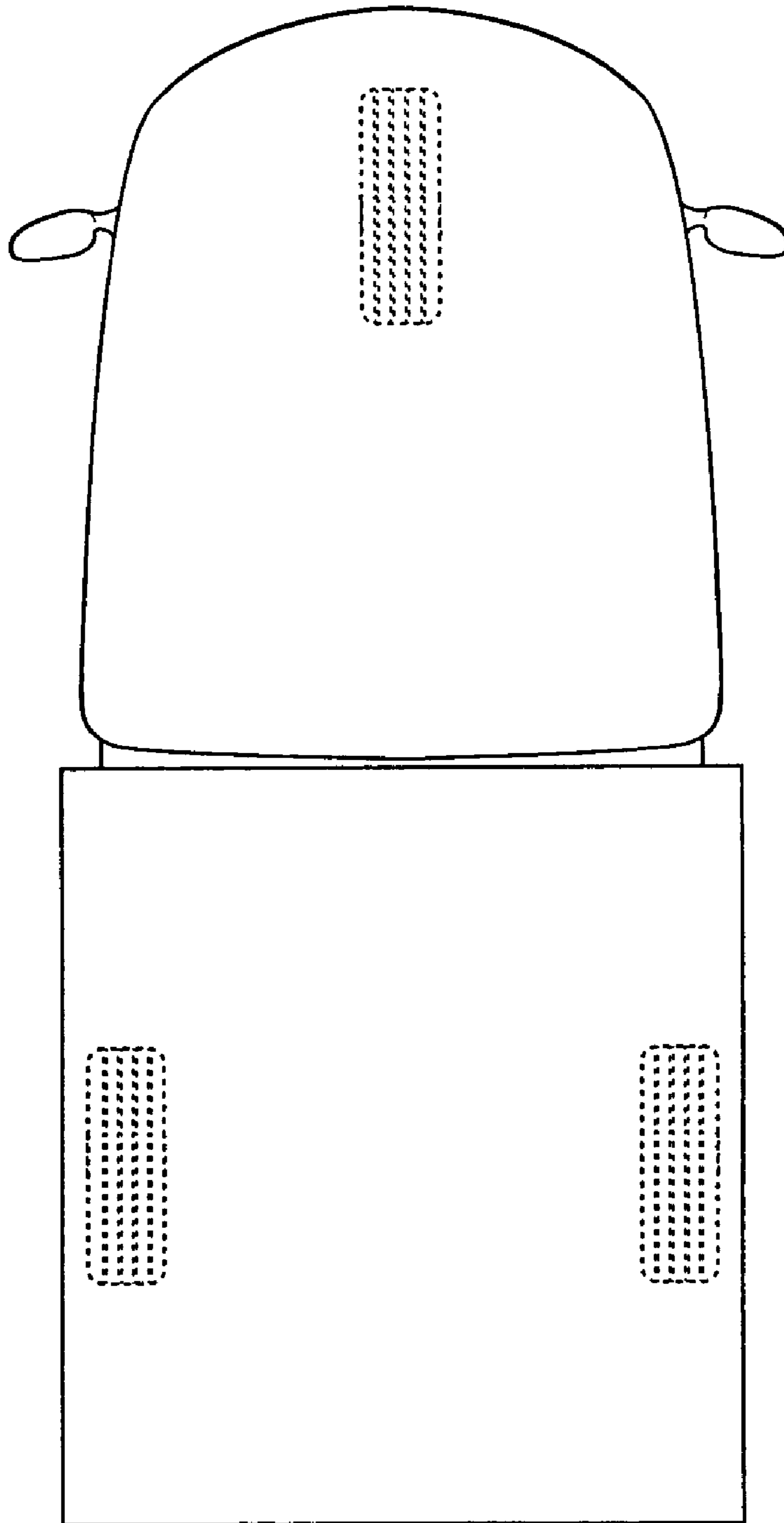


***Fig. 5***





**Fig. 6**



**Fig. 7**