



US00D555041S

(12) **United States Design Patent**
Davidson

(10) **Patent No.:** **US D555,041 S**
(45) **Date of Patent:** **** Nov. 13, 2007**

(54) **VEHICLE**

(75) Inventor: **Benjamin R. Davidson**, Redondo Beach, CA (US)

(73) Assignee: **Honda Motor Co., Ltd.**, Tokyo (JP)

(**) Term: **14 Years**

(21) Appl. No.: **29/250,656**

(22) Filed: **Nov. 27, 2006**

(51) **LOC (8) Cl.** **12-08**

(52) **U.S. Cl.** **D12/92**

(58) **Field of Classification Search** D12/90-92,
D12/86; D21/424, 433; 296/181.1
See application file for complete search history.

(56) **References Cited**

U.S. PATENT DOCUMENTS

- D494,891 S * 8/2004 Hoelzel et al. D12/92
- D508,438 S * 8/2005 Tanaka et al. D12/92
- D517,949 S * 3/2006 Nielander et al. D12/92

* cited by examiner

Primary Examiner—Melody N. Brown

(74) *Attorney, Agent, or Firm*—Plumsea Law Group, LLC

(57) **CLAIM**

The ornamental design for a vehicle as shown and described.

DESCRIPTION

FIG. 1 is a front perspective view of a vehicle showing my new design;

FIG. 2 is a rear perspective view thereof;

FIG. 3 is a side elevational view, the opposite side elevational view being a mirror image thereof;

FIG. 4 is a front elevational view thereof;

FIG. 5 is a rear elevational view thereof;

FIG. 6 is a top plan view thereof;

FIG. 7 is a front perspective view of a second embodiment of a vehicle showing my new design;

FIG. 8 is a rear perspective view of FIG. 7;

FIG. 9 is a side elevational view of FIG. 7, the opposite side elevational view being a mirror image of FIG. 7;

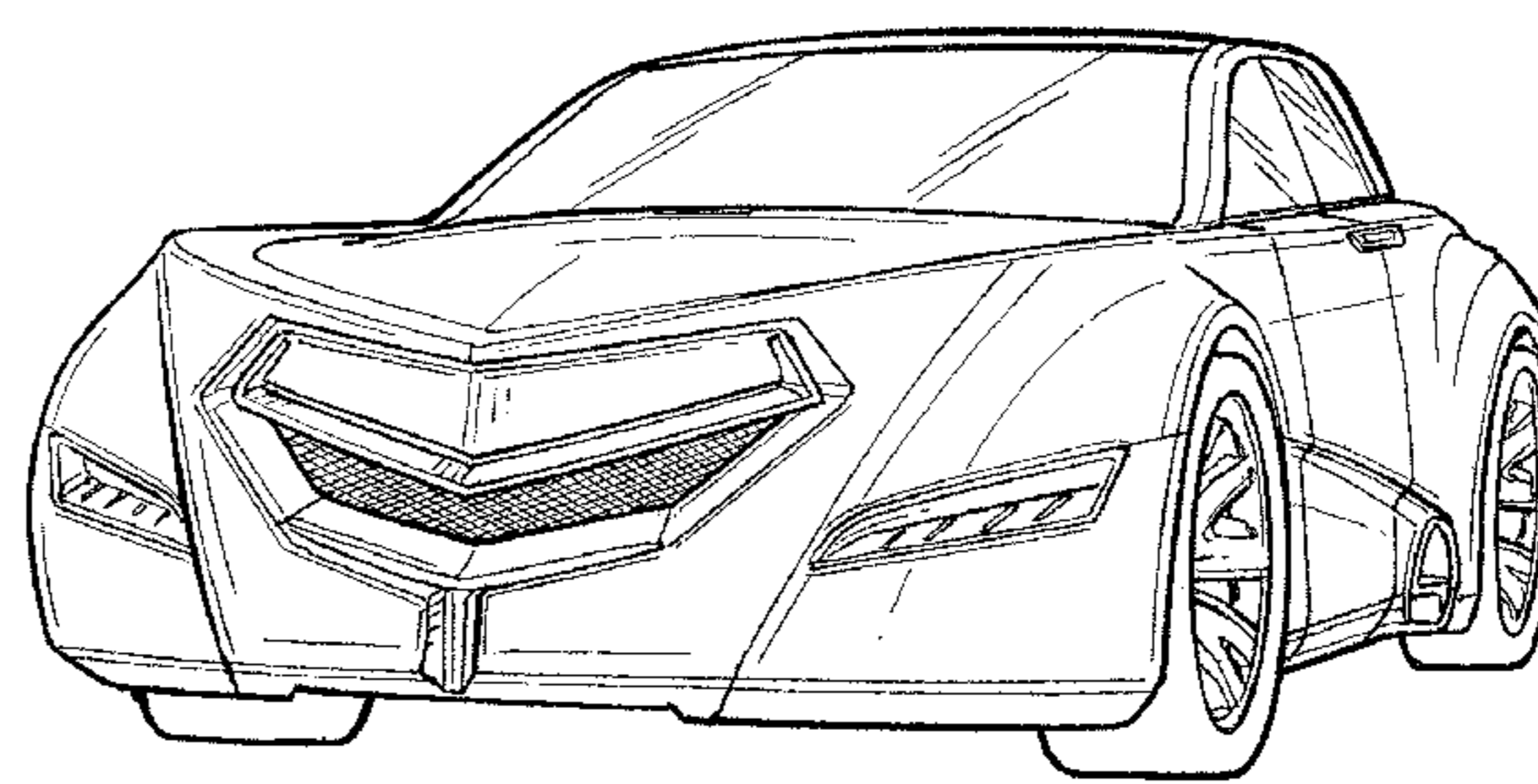
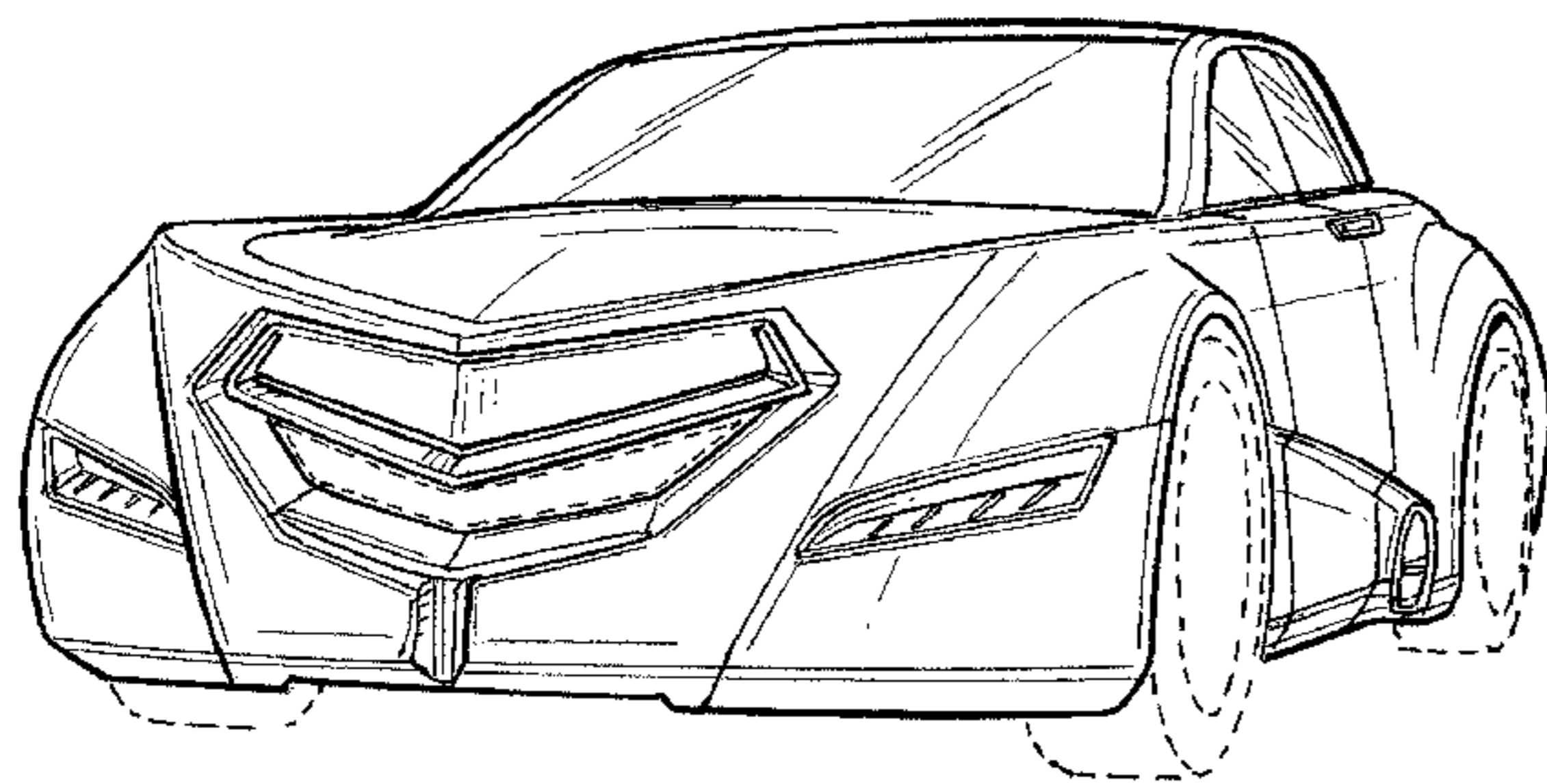
FIG. 10 is a front elevational view of FIG. 7;

FIG. 11 is a rear elevational view of FIG. 7; and,

FIG. 12 is a top plan view of FIG. 7.

The broken line showings in the front grille area; the wheels and tires in FIGS. 1-6 are for illustrative purposes only and form no part of the claimed design.

1 Claim, 8 Drawing Sheets



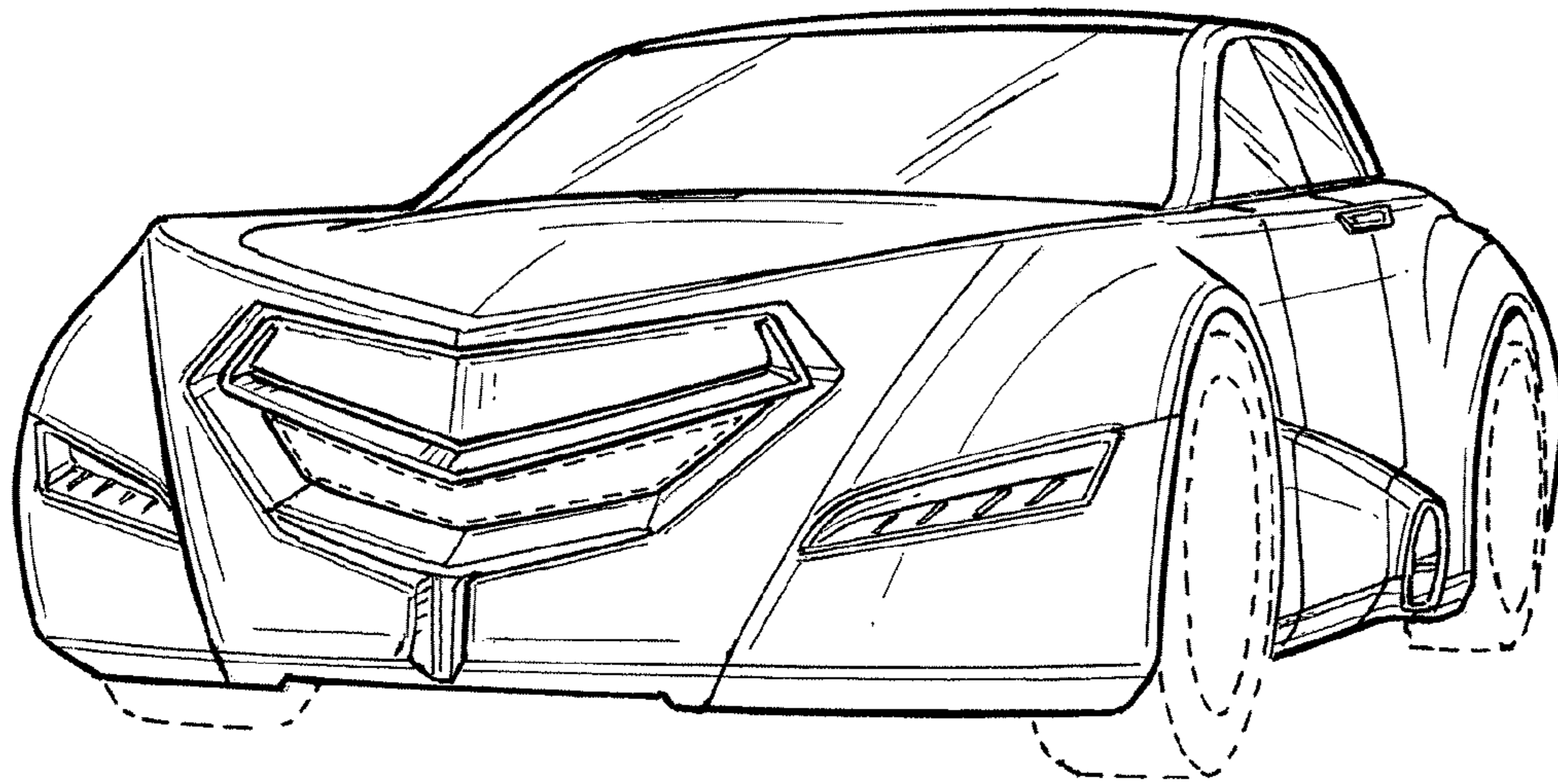


FIG. 1

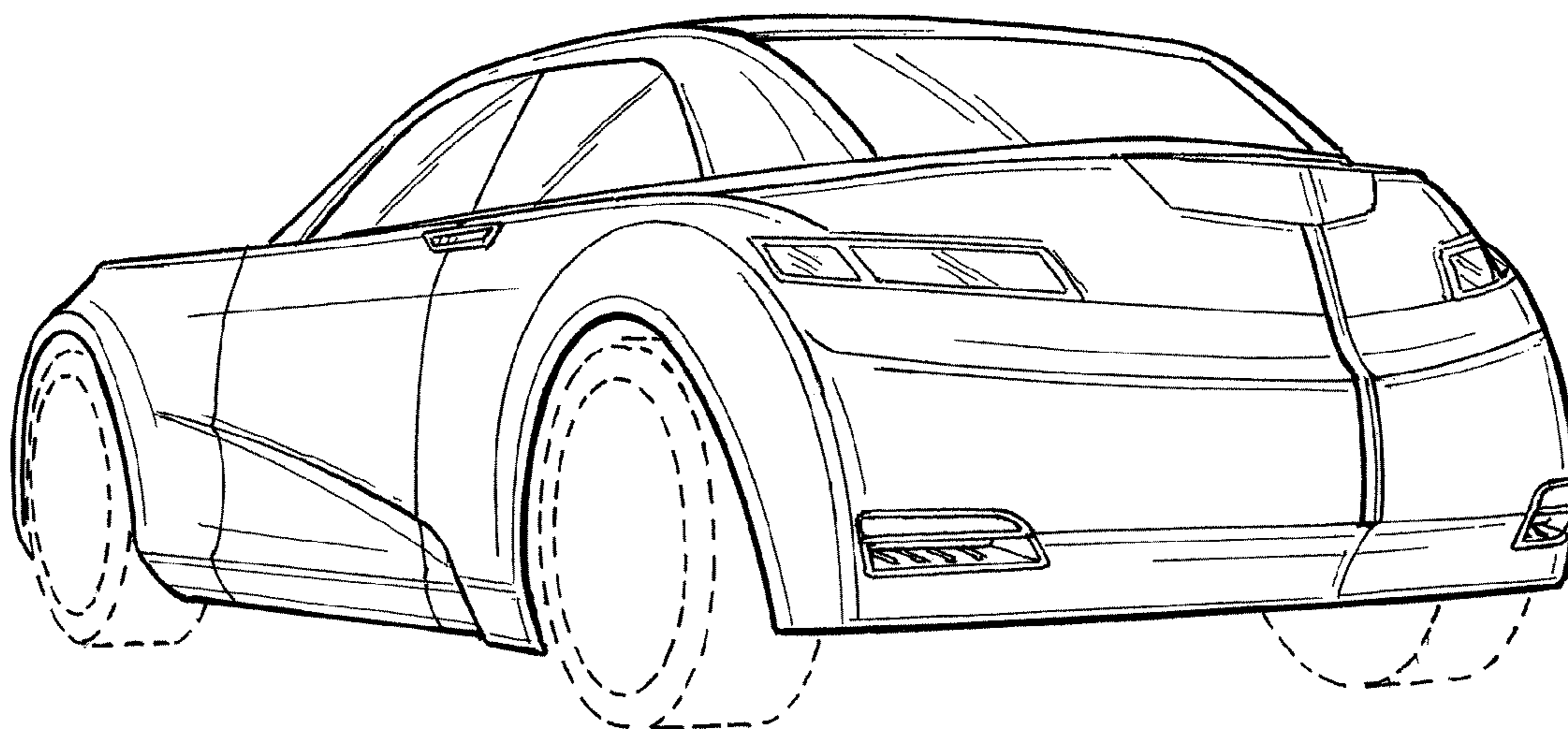


FIG. 2

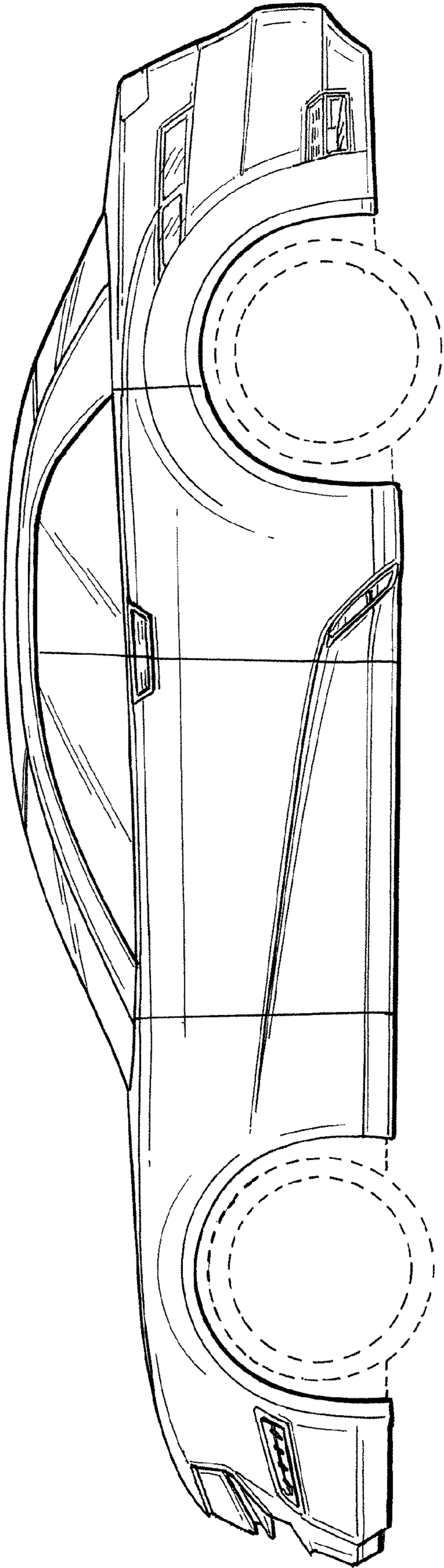


FIG. 3

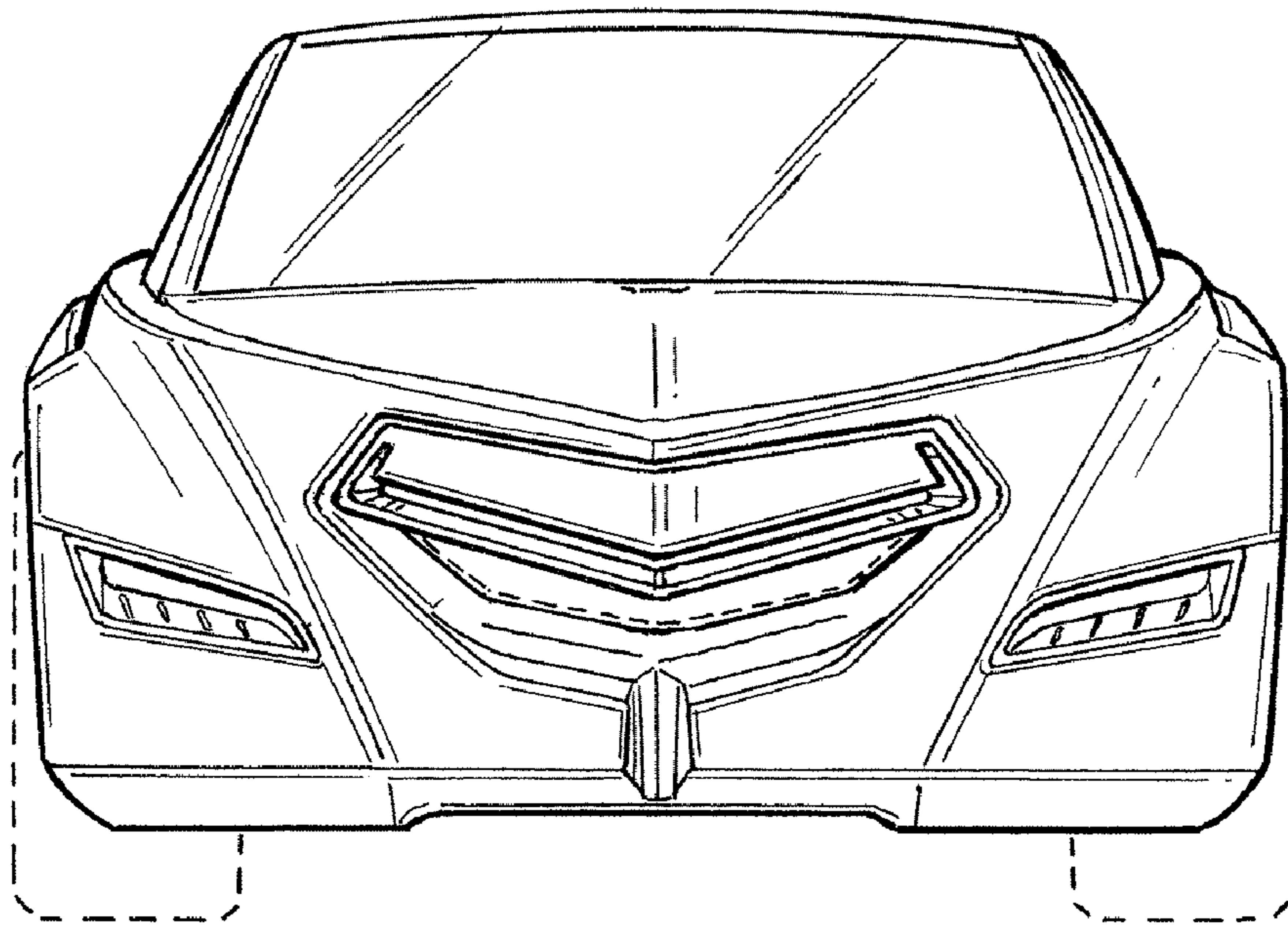


FIG. 4

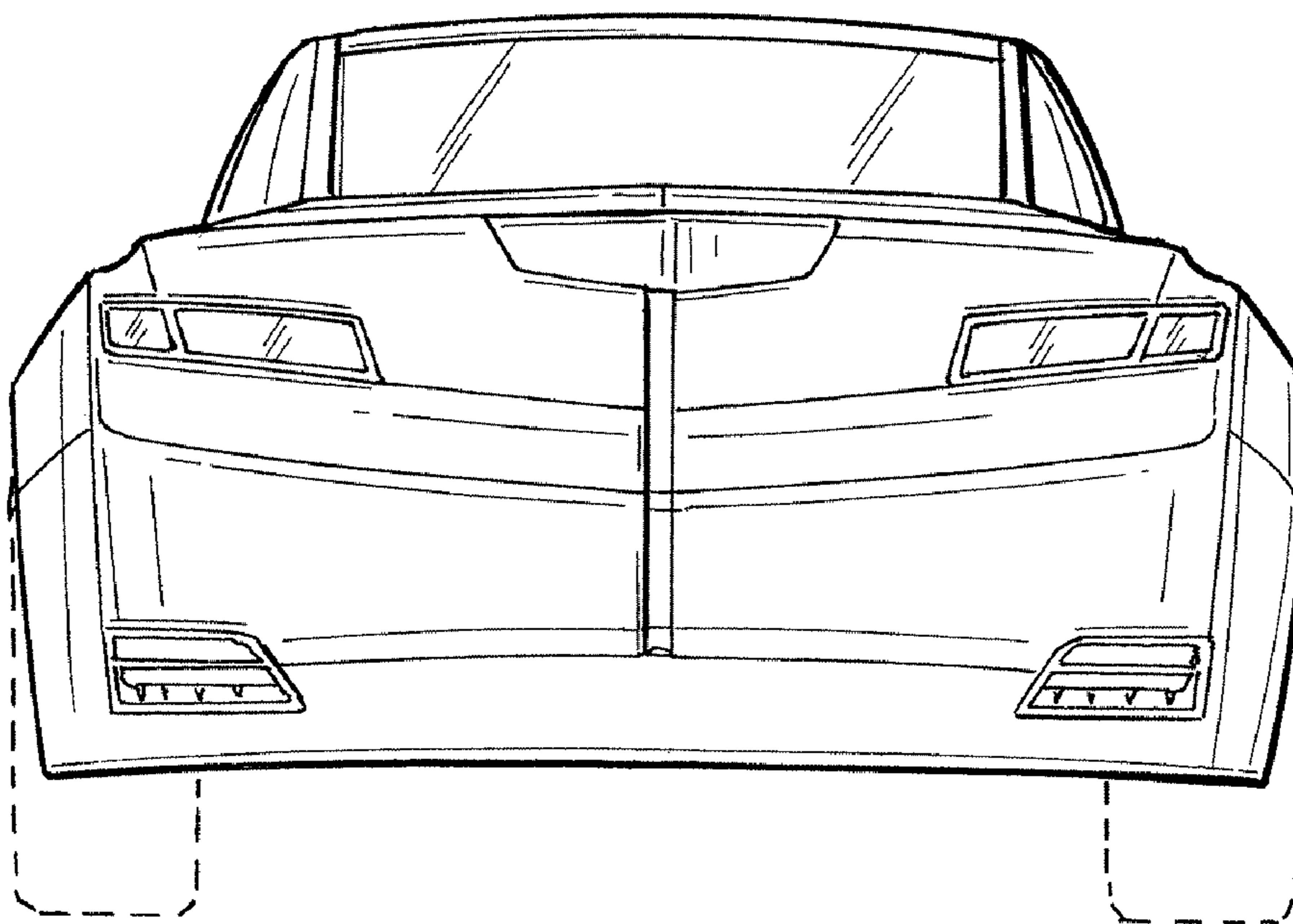


FIG. 5



FIG. 6

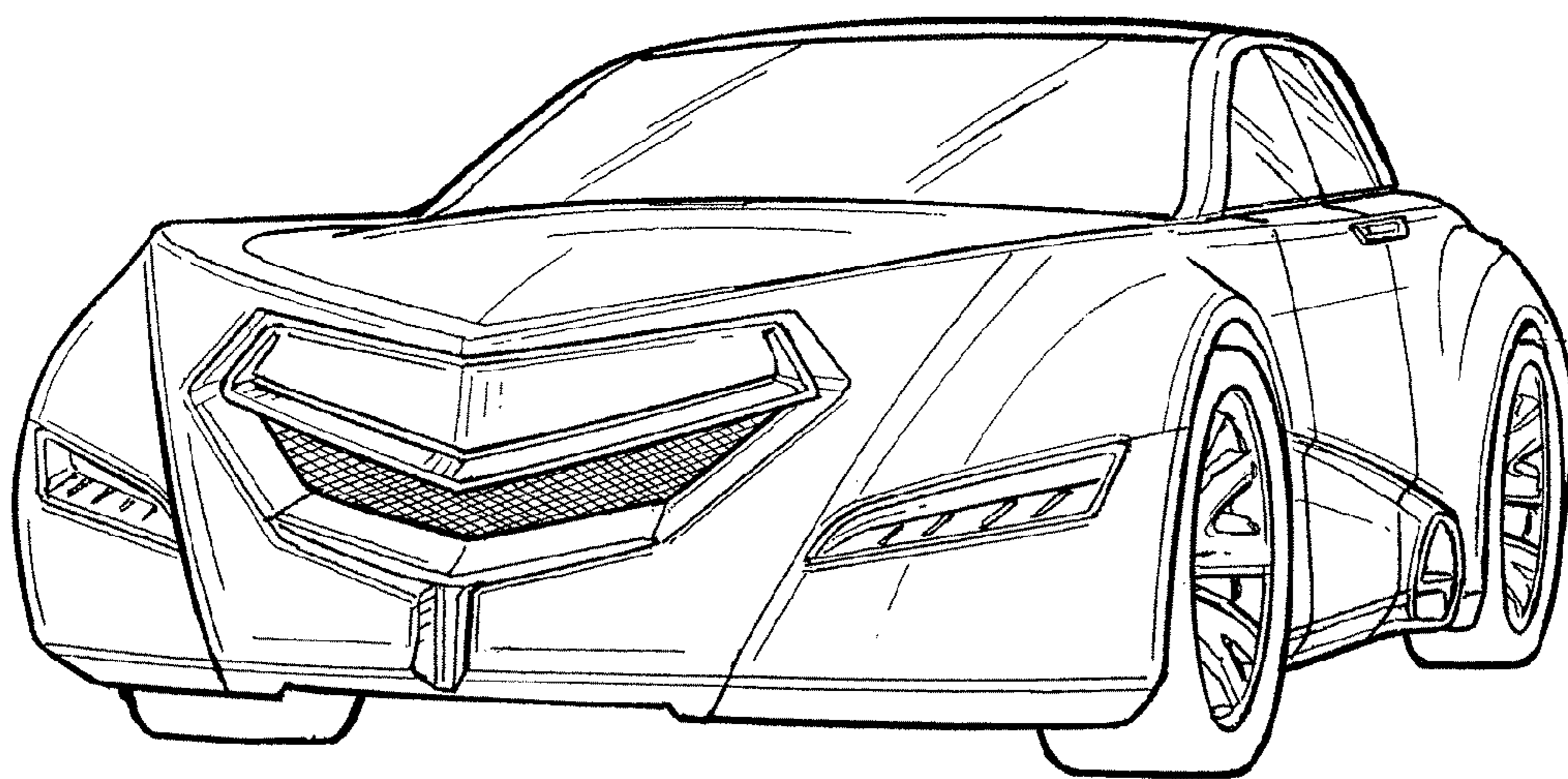


FIG. 7

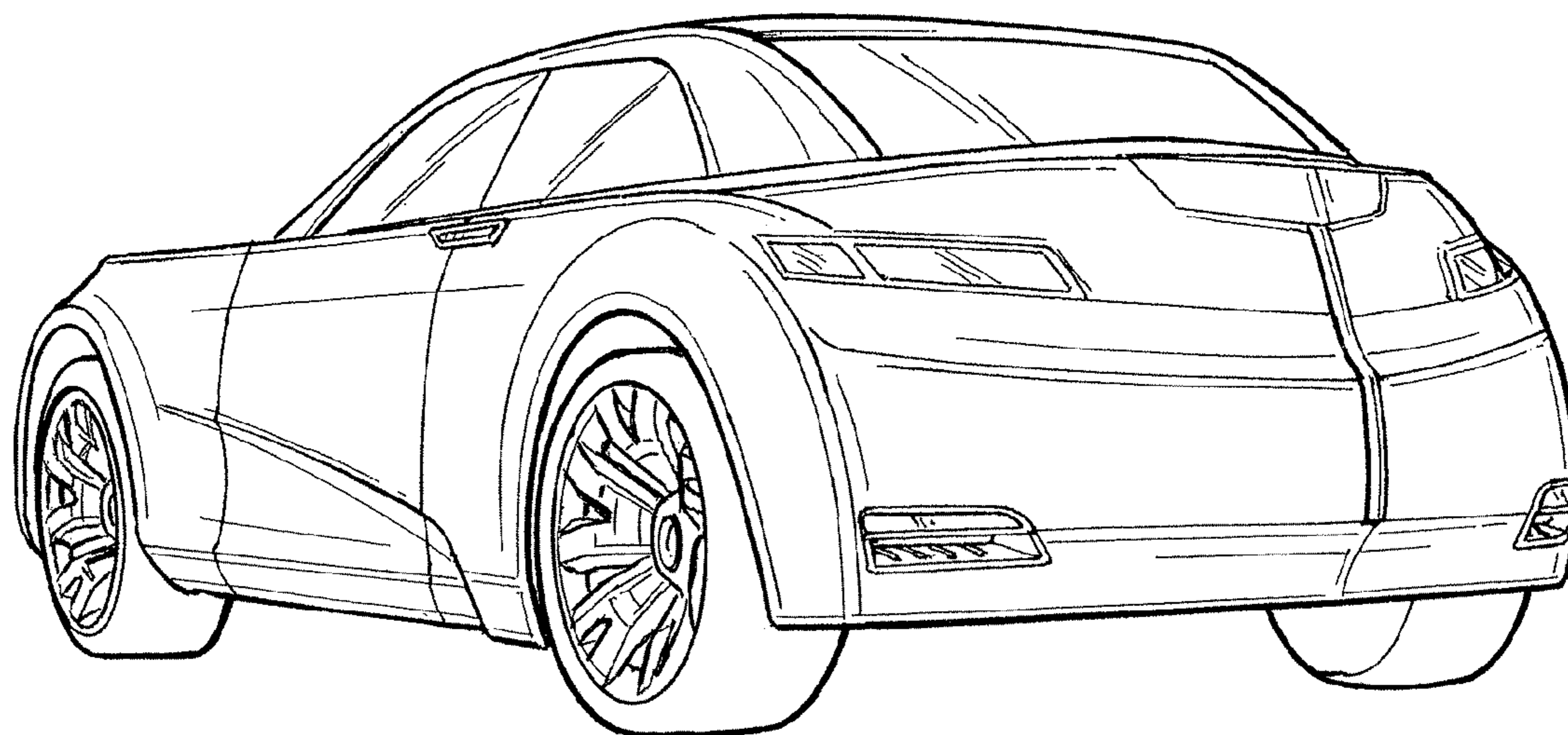


FIG. 8

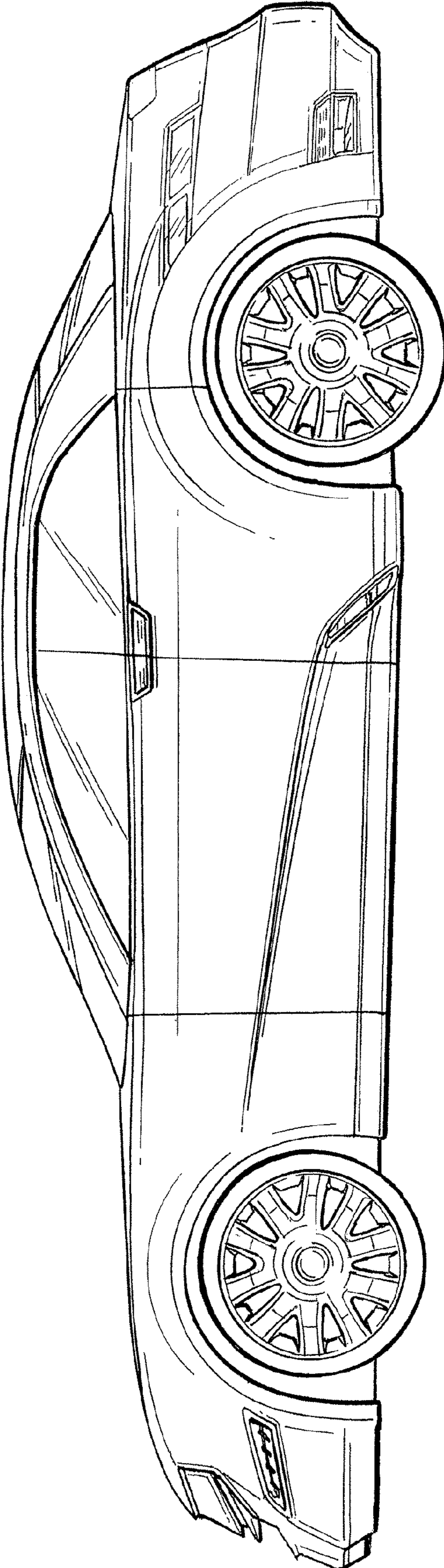


FIG. 9

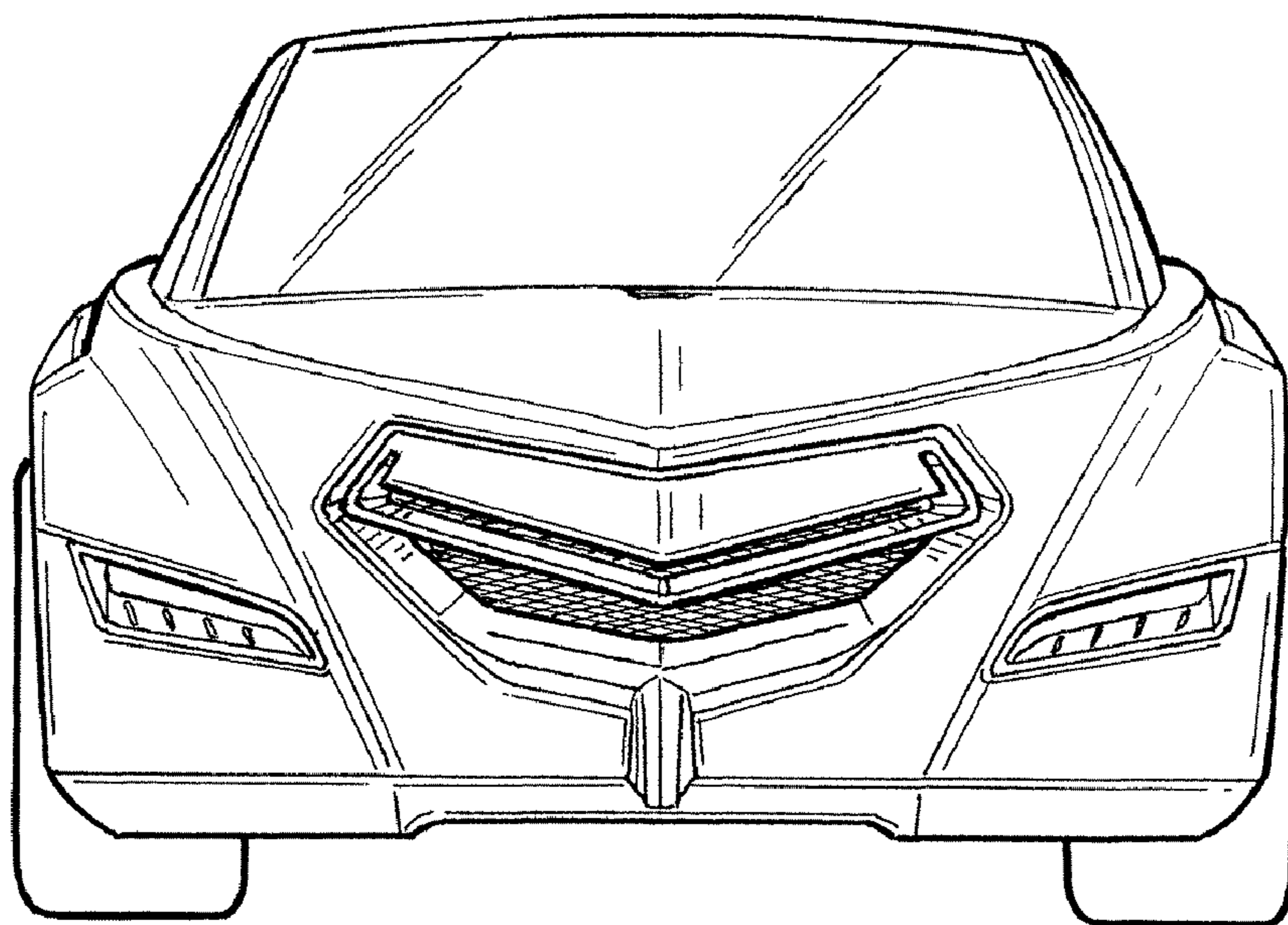


FIG. 10

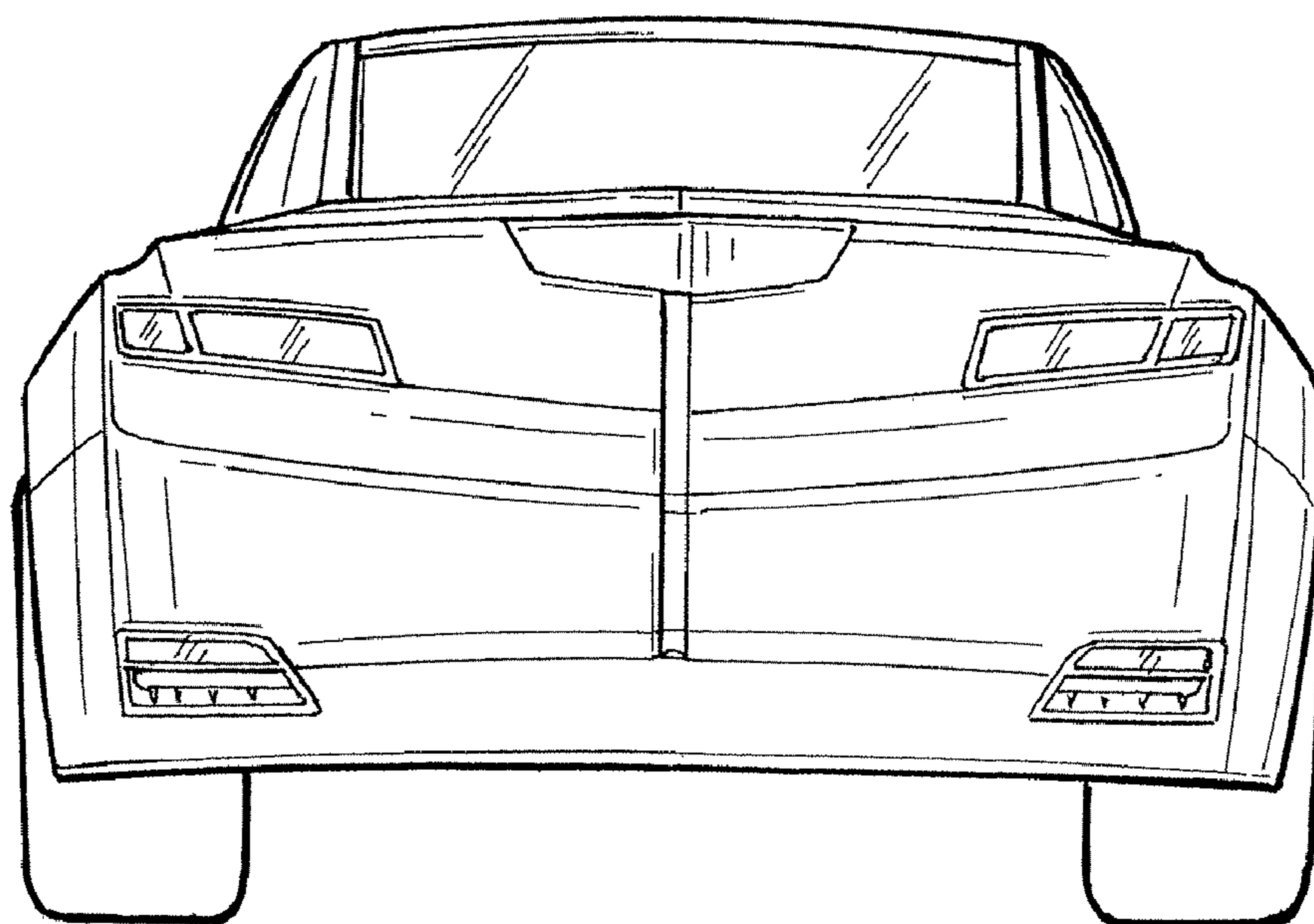


FIG. 11



FIG. 12