



US00D555034S

(12) **United States Design Patent**  
**Van de Wetering**

(10) **Patent No.:** **US D555,034 S**

(45) **Date of Patent:** **\*\* Nov. 13, 2007**

(54) **PLANTER**

(76) Inventor: **Jack Van de Wetering**, 1675 Edwards Ave., Calverton, NY (US) 11933

(\*\*) Term: **14 Years**

(21) Appl. No.: **29/258,089**

(22) Filed: **Apr. 14, 2006**

(51) **LOC (8) Cl.** ..... **11-02**

(52) **U.S. Cl.** ..... **D11/134**

(58) **Field of Classification Search** ..... D6/403-405;  
D7/561; D11/143-146, 152-154; D26/9,  
D26/16, 19; D99/19, 23, 27; 47/32.7, 33,  
47/39, 41.01, 41.1, 41.11, 44-47, 65.5, 65.8,  
47/66.5-66.7, 67, 69, 71

See application file for complete search history.

(56) **References Cited**

**U.S. PATENT DOCUMENTS**

- 908,338 A \* 12/1908 Sheble et al. .... D11/152
- 986,395 A \* 3/1911 King ..... 47/33
- 4,612,726 A \* 9/1986 Mori ..... 47/66.1
- D369,120 S \* 4/1996 Deslen ..... D11/143
- 5,752,341 A \* 5/1998 Goldfarb ..... 47/47
- 5,842,310 A \* 12/1998 Liu et al. .... 47/65.5
- 2002/0005011 A1 \* 1/2002 Goldberg et al. .... 47/65.5

**FOREIGN PATENT DOCUMENTS**

GB 2099295 \* 2/2001

\* cited by examiner

*Primary Examiner*—Robert M. Spear

*Assistant Examiner*—Garth Rademaker

(74) *Attorney, Agent, or Firm*—Thomas A. O'Rourke;  
Bodner & O'Rourke, LLP

(57) **CLAIM**

The ornamental design for a planter, as shown and described.

**DESCRIPTION**

FIG. 1 is a top plan view of a planter showing my new design;

FIG. 2 is a bottom plan view thereof;

FIG. 3 is a right side elevation view thereof;

FIG. 4 is a left side elevation view thereof;

FIG. 5 is a top perspective view thereof;

FIG. 6 is a bottom perspective view thereof;

FIG. 7 is a top plan view of a second embodiment of a planter showing my new design;

FIG. 8 is a bottom plan view thereof;

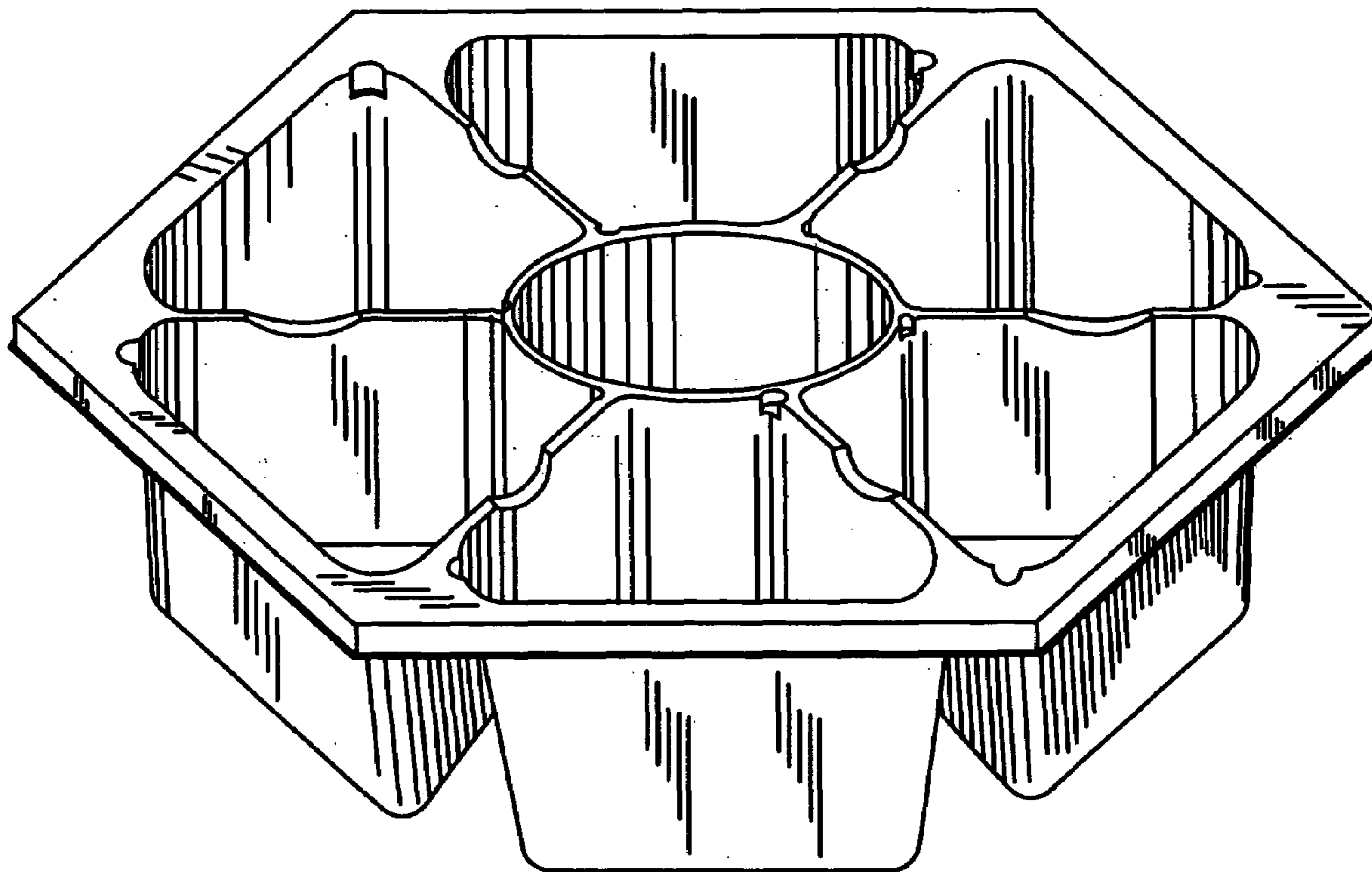
FIG. 9 is a right side elevation view thereof;

FIG. 10 is a left side elevation view thereof;

FIG. 11 is a top perspective view thereof; and,

FIG. 12 is a bottom perspective view thereof.

**1 Claim, 10 Drawing Sheets**



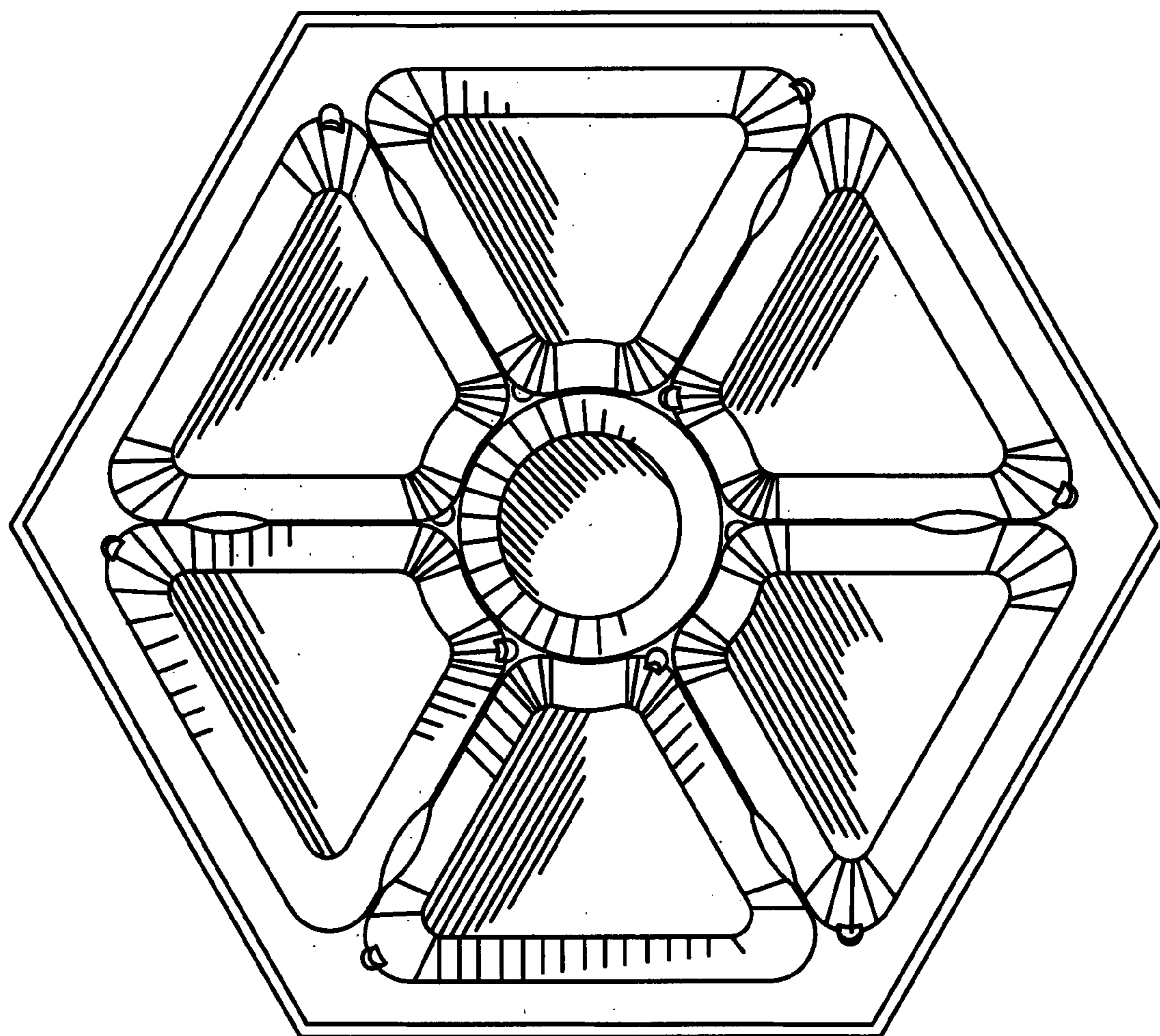


FIG. 1

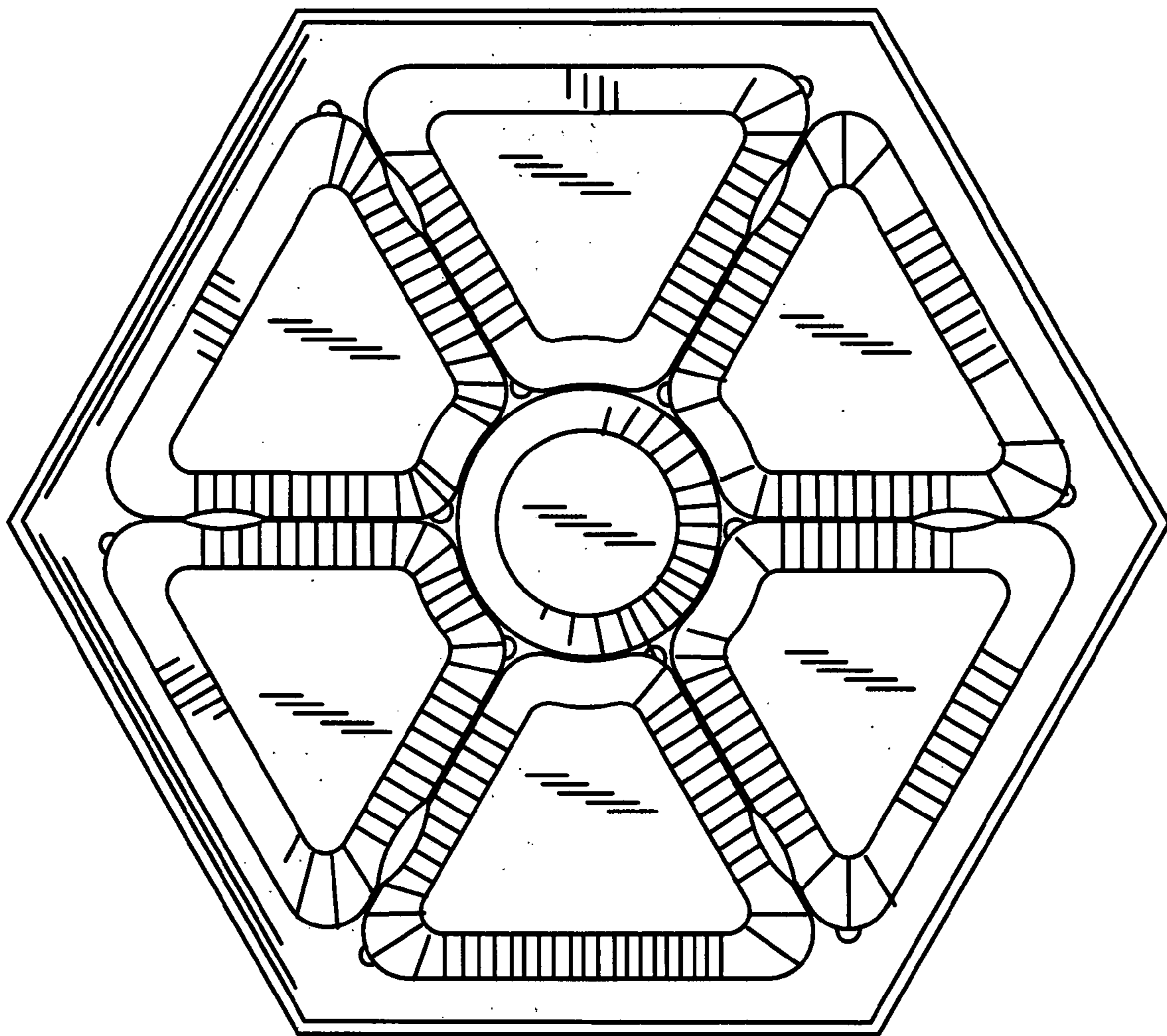
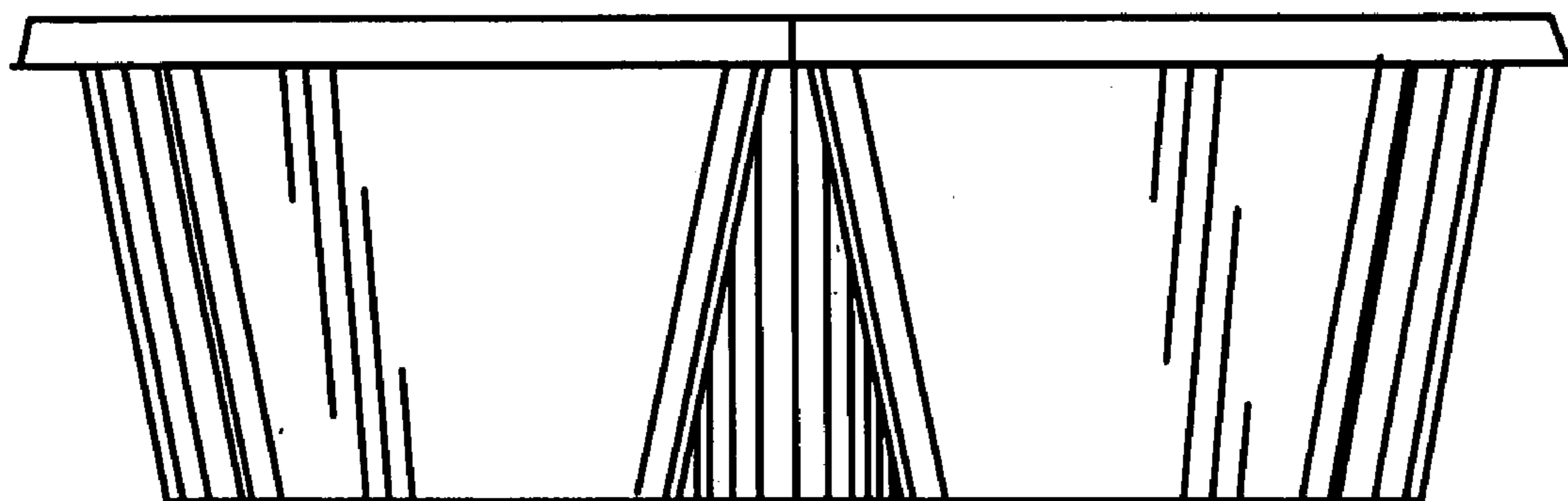
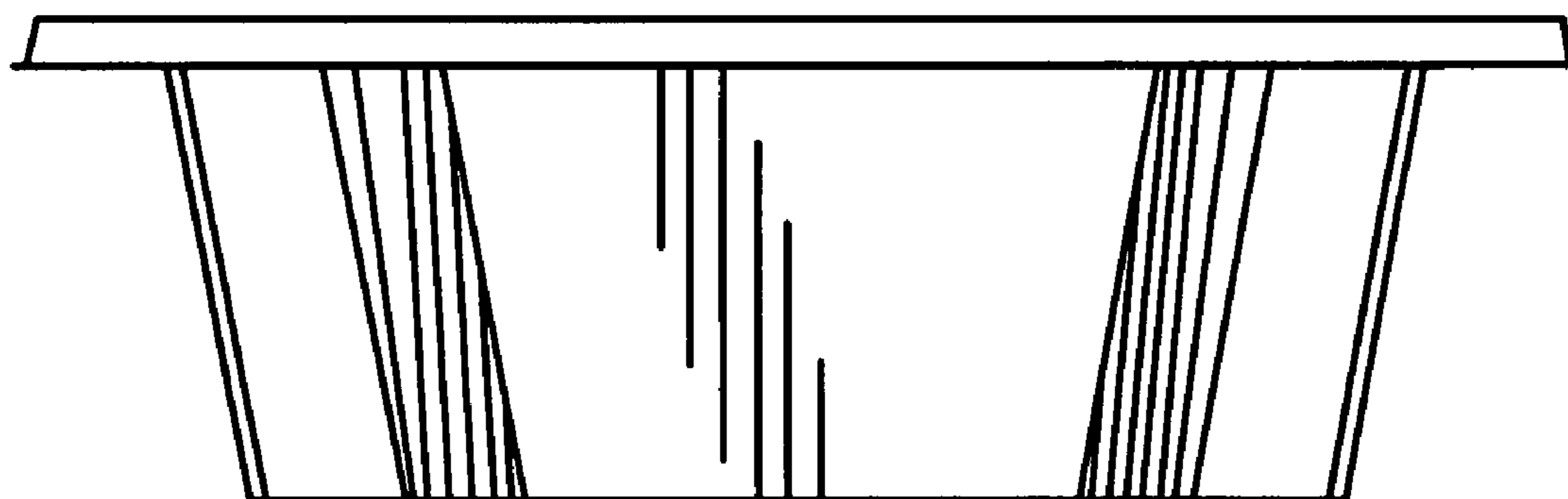


FIG. 2



**FIG. 3**



**FIG. 4**

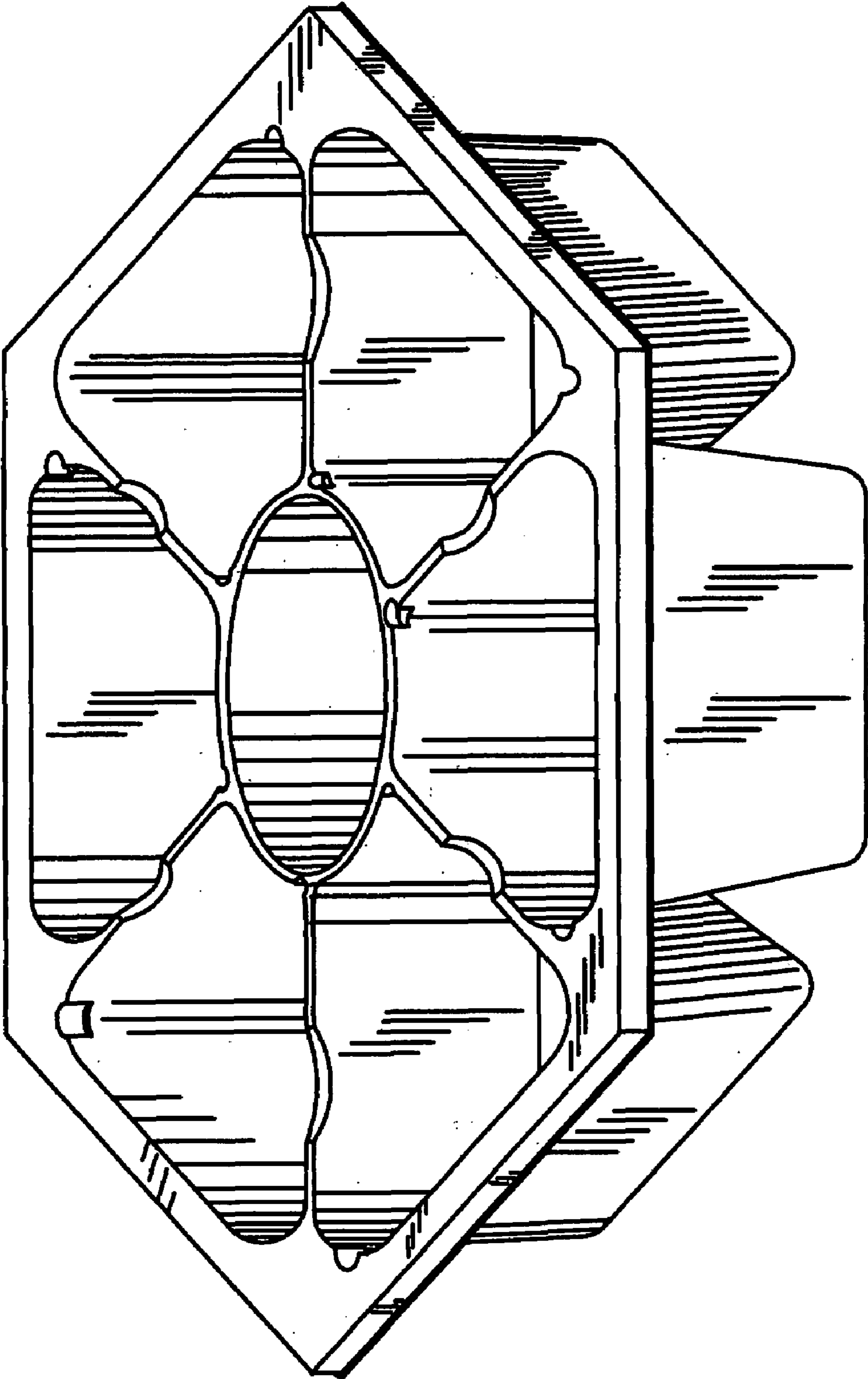


FIG. 5

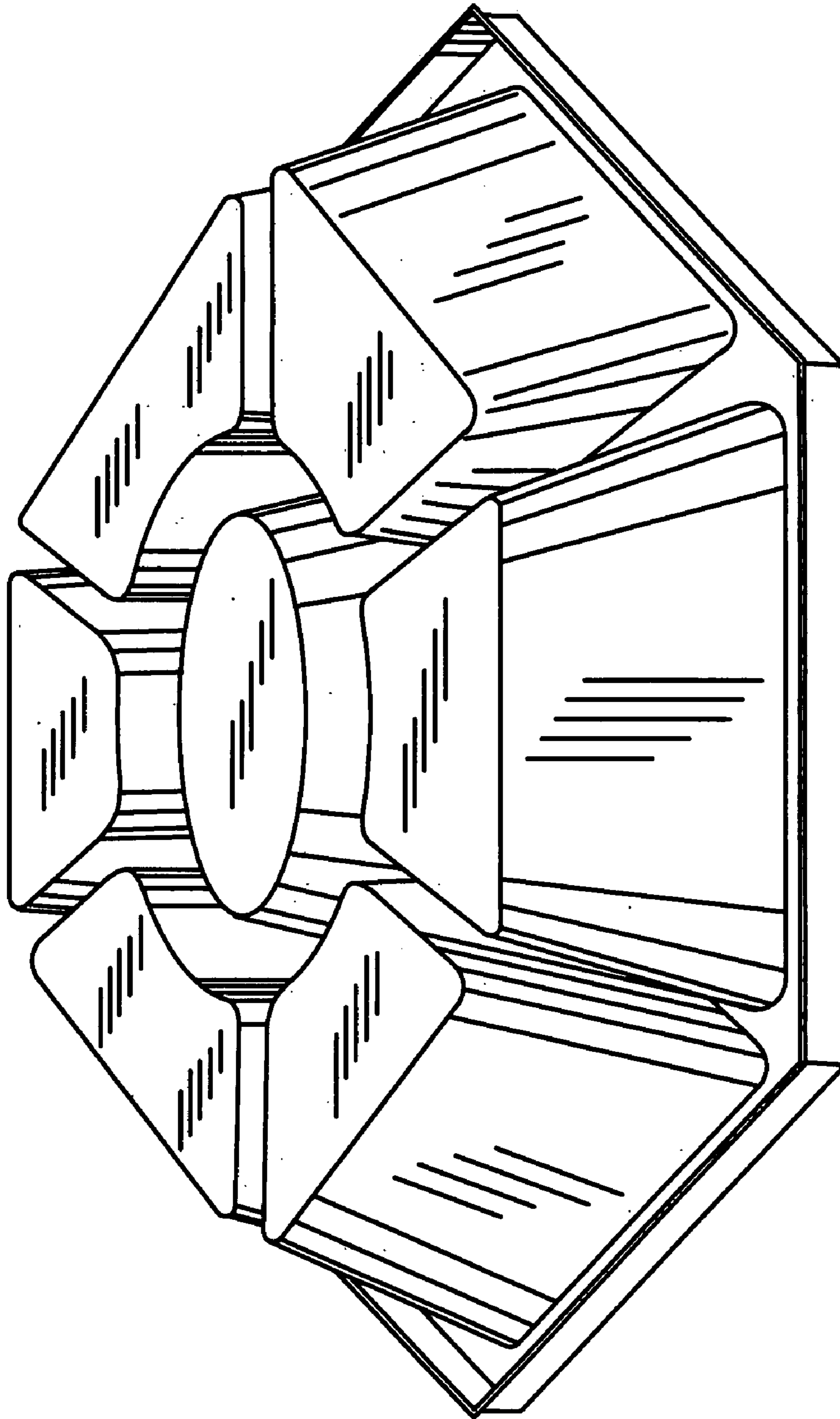


FIG.6

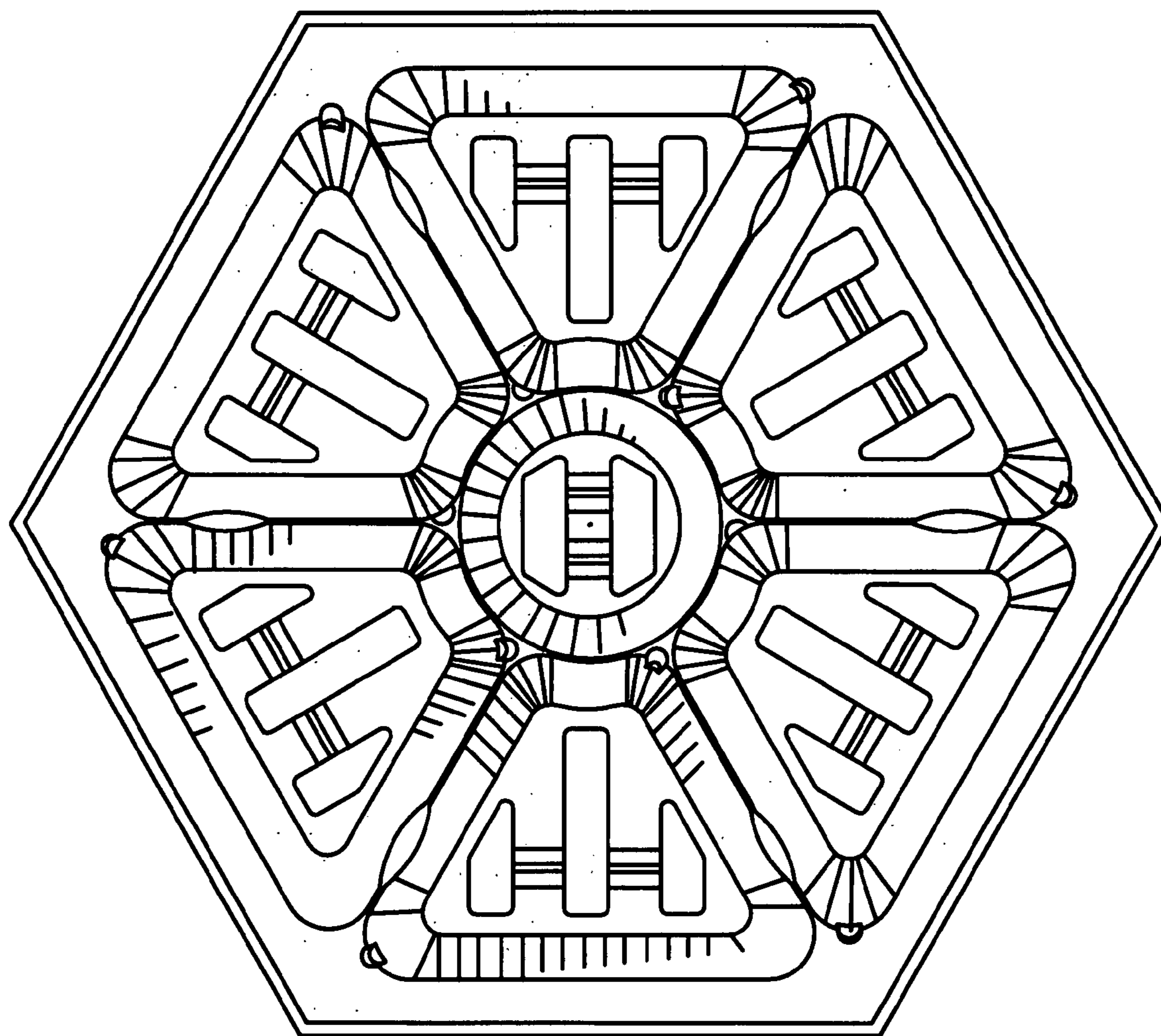


FIG. 7

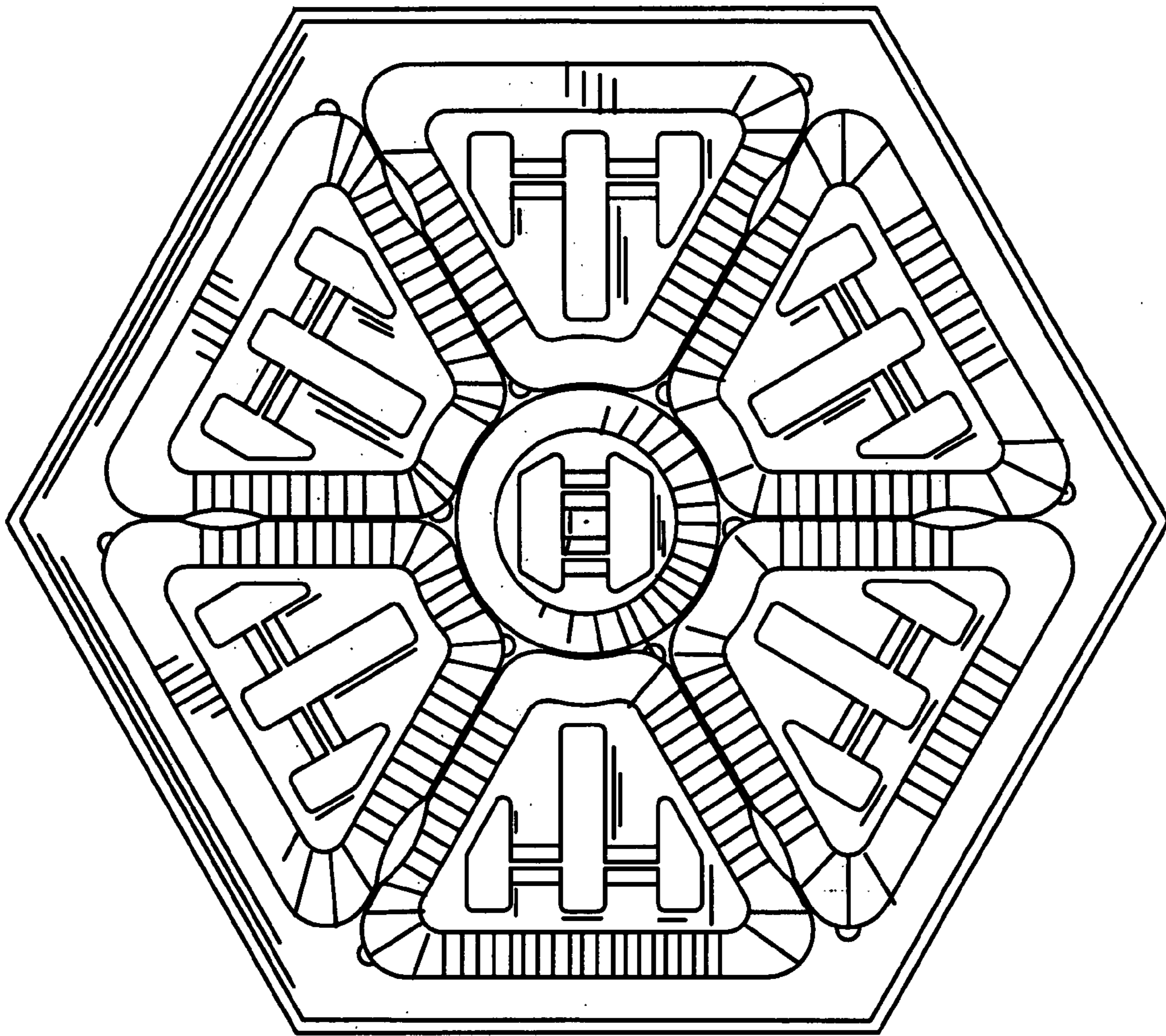
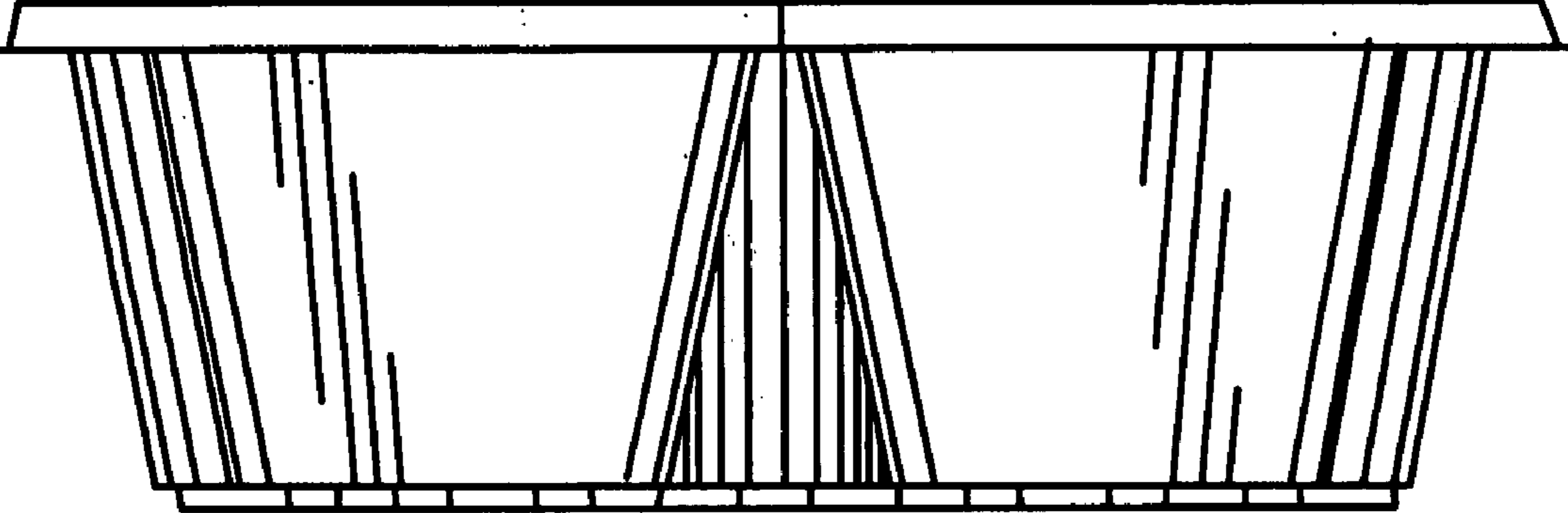
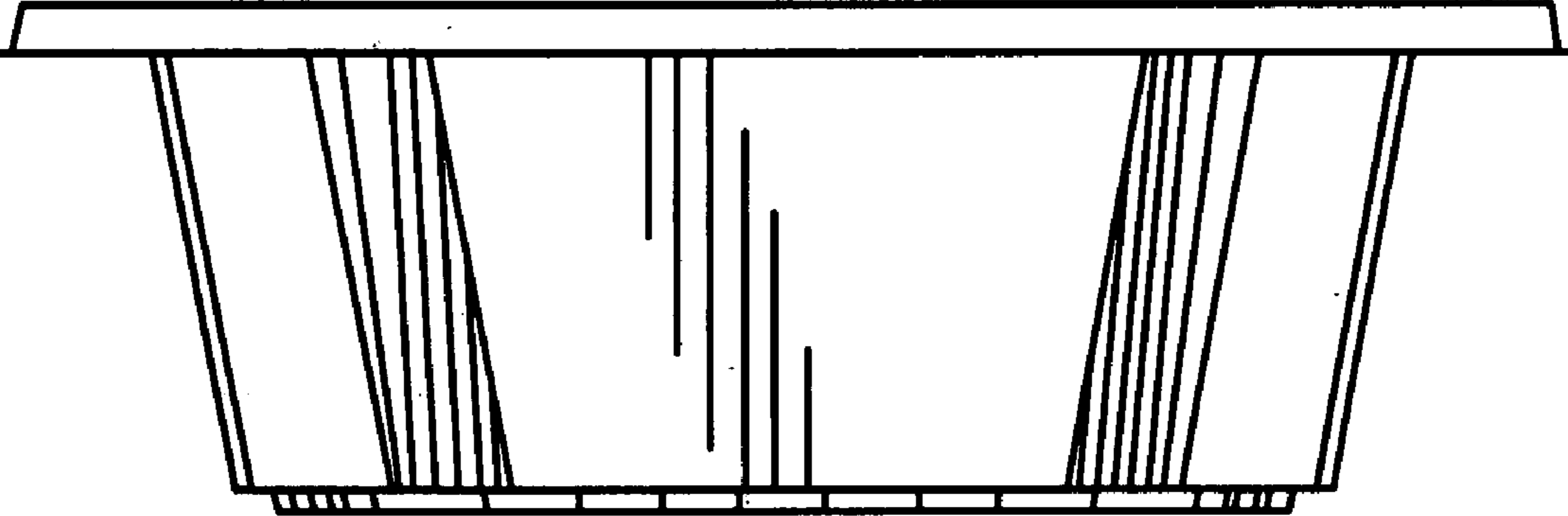


FIG. 8





**FIG. 9**



**FIG. 10**

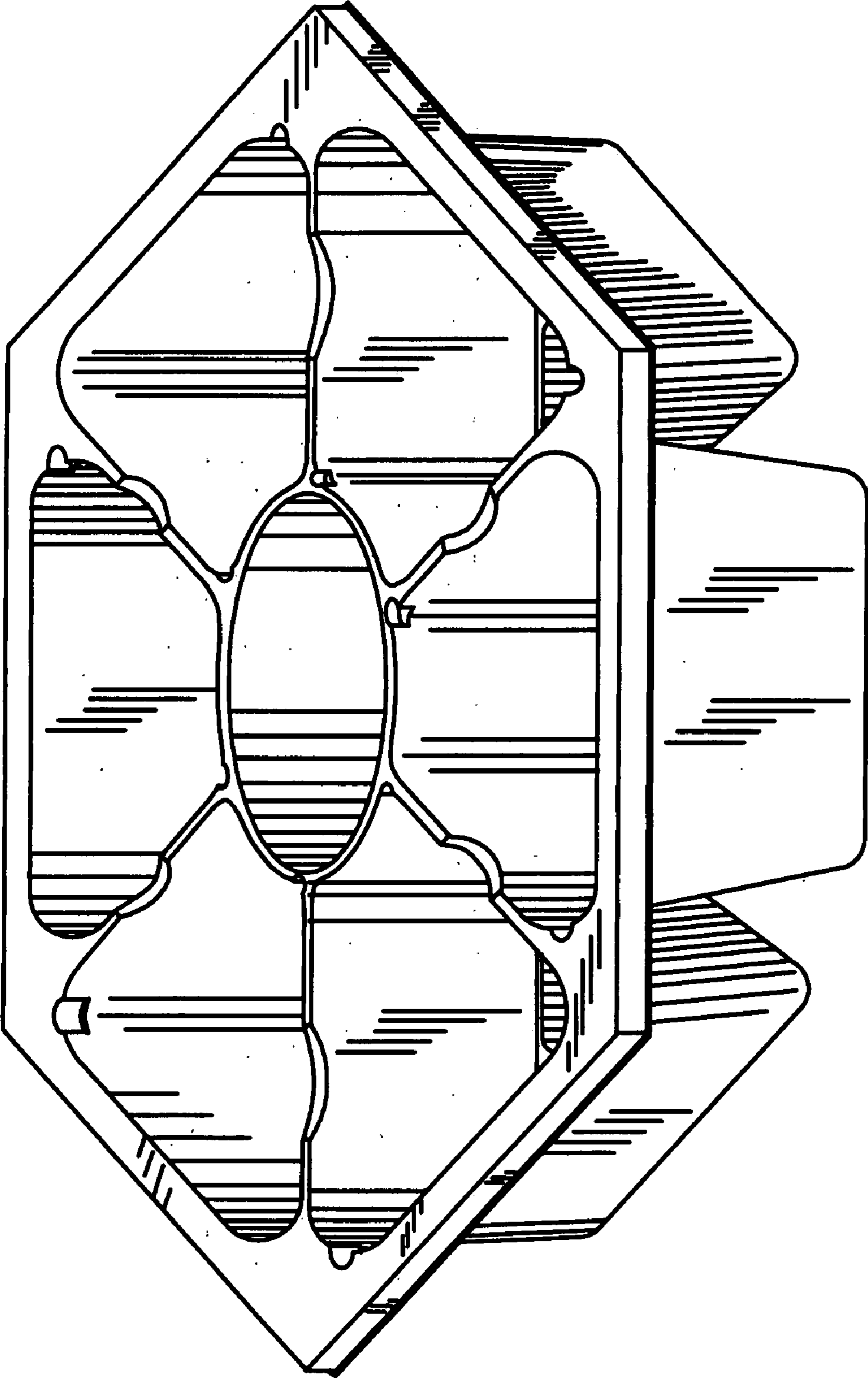


FIG. 11

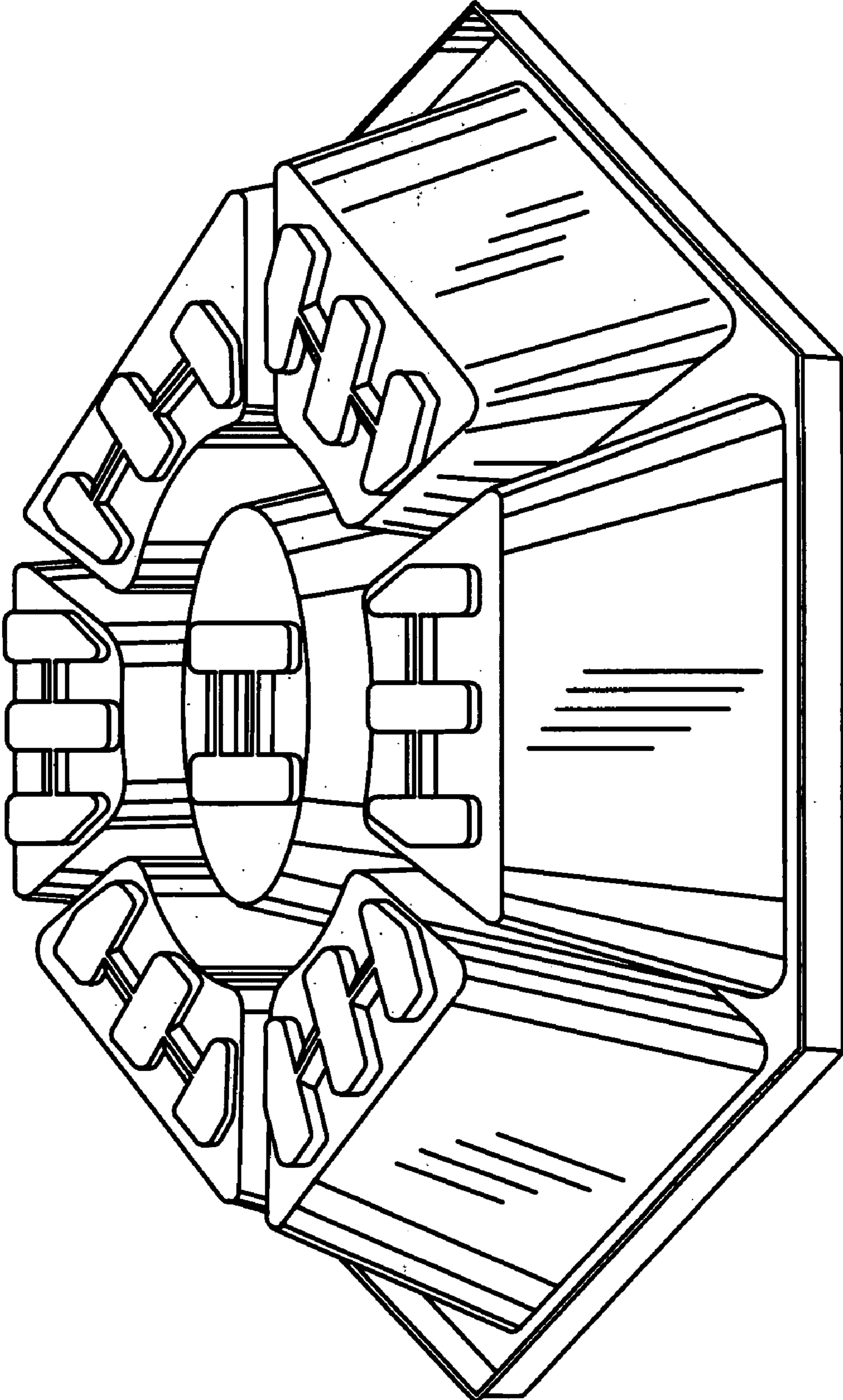


FIG. 12