



US00D555029S

(12) **United States Design Patent**
Hall

(10) **Patent No.:** **US D555,029 S**

(45) **Date of Patent:** **** Nov. 13, 2007**

(54) **BRACELET WITH BASEBALL PENDANT**

(75) Inventor: **Anne E. Hall**, Cooperstown, NY (US)

(73) Assignee: **Three Mile Design, LLC**,
Cooperstown, NY (US)

(**) Term: **14 Years**

(21) Appl. No.: **29/236,494**

(22) Filed: **Aug. 17, 2005**

(51) **LOC (8) Cl.** **11-01**

(52) **U.S. Cl.** **D11/14**

(58) **Field of Classification Search** D11/1-25,
D11/32, 93, 94, 99; 59/78, 79.2; 63/1.11,
63/3, 3.1, 3.2, 5.1, 5.2, 7-11; 224/175; D21/315,
D21/356, 780

See application file for complete search history.

(56) **References Cited**

U.S. PATENT DOCUMENTS

1,383,290	A *	7/1921	Cressey	D1/106
2,008,005	A *	7/1935	Chilson	63/23
D140,334	S *	2/1945	Blecher	D7/594
D269,956	S *	8/1983	Sears et al.	D11/30
D283,009	S *	3/1986	Jennette	D9/668
D286,941	S *	12/1986	Saladino et al.	D1/101

D405,639	S *	2/1999	Clark et al.	D7/515
D474,593	S *	5/2003	Bond et al.	D3/202
D487,708	S *	3/2004	Strle	D11/3
D511,654	S *	11/2005	Bailey	D7/515

OTHER PUBLICATIONS

U.S. Trademark Registration No. 2,964,461.

* cited by examiner

Primary Examiner—Louis Zarfaz

Assistant Examiner—Michael A. Pratt

(74) *Attorney, Agent, or Firm*—David L. Nocilly; Bond,
Schoeneck & King, PLLC

(57) **CLAIM**

The ornamental design for a bracelet with a baseball pendant, shown and described.

DESCRIPTION

FIG. 1 is a perspective view of my new design for a bracelet;

FIG. 2 is a rear elevation view thereof;

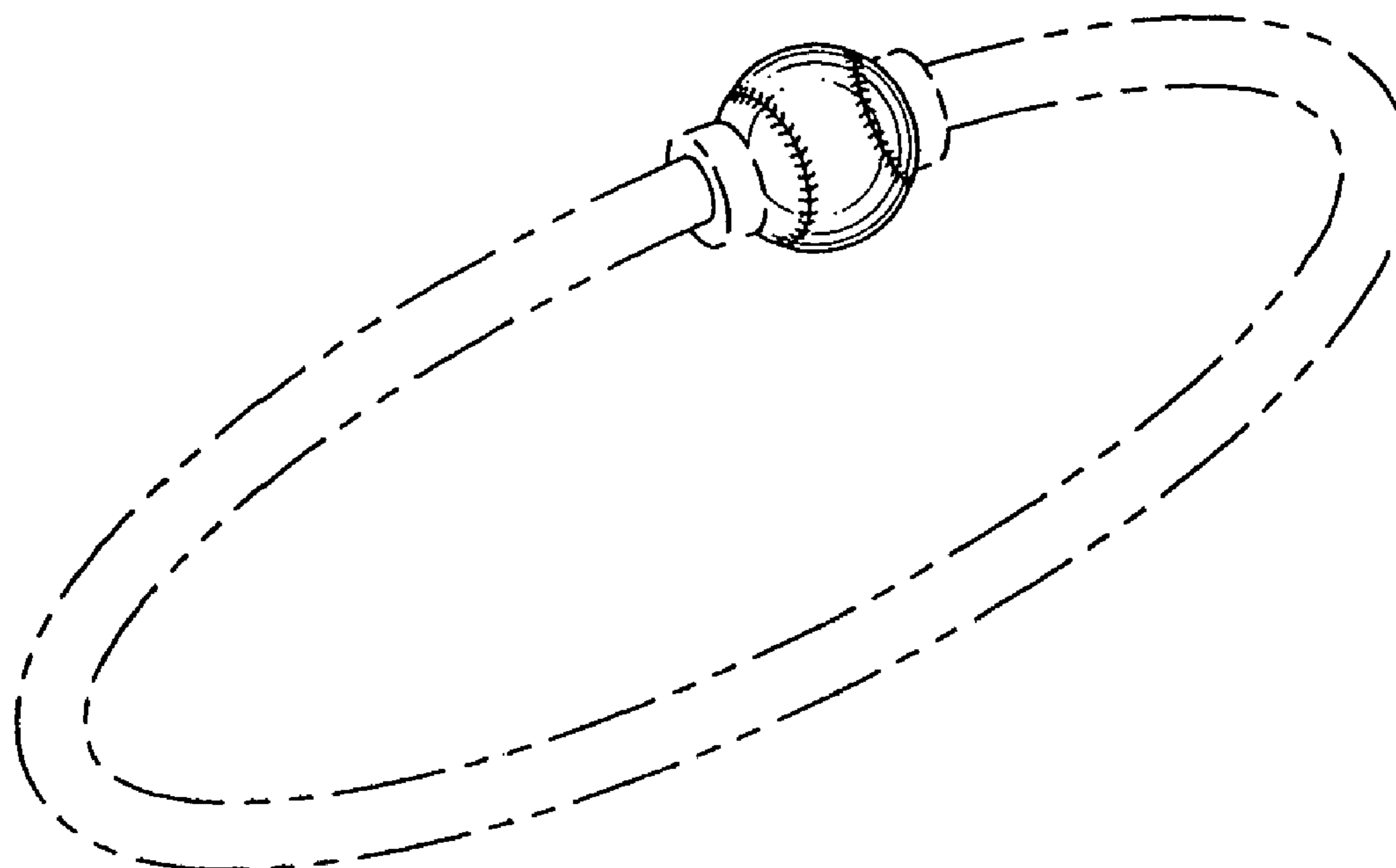
FIG. 3 is a left side elevational view thereof,

FIG. 4 is a front plan view thereof,

FIG. 5 is a right side elevational view thereof; and,

FIG. 6 is a top plan view thereof.

1 Claim, 1 Drawing Sheet



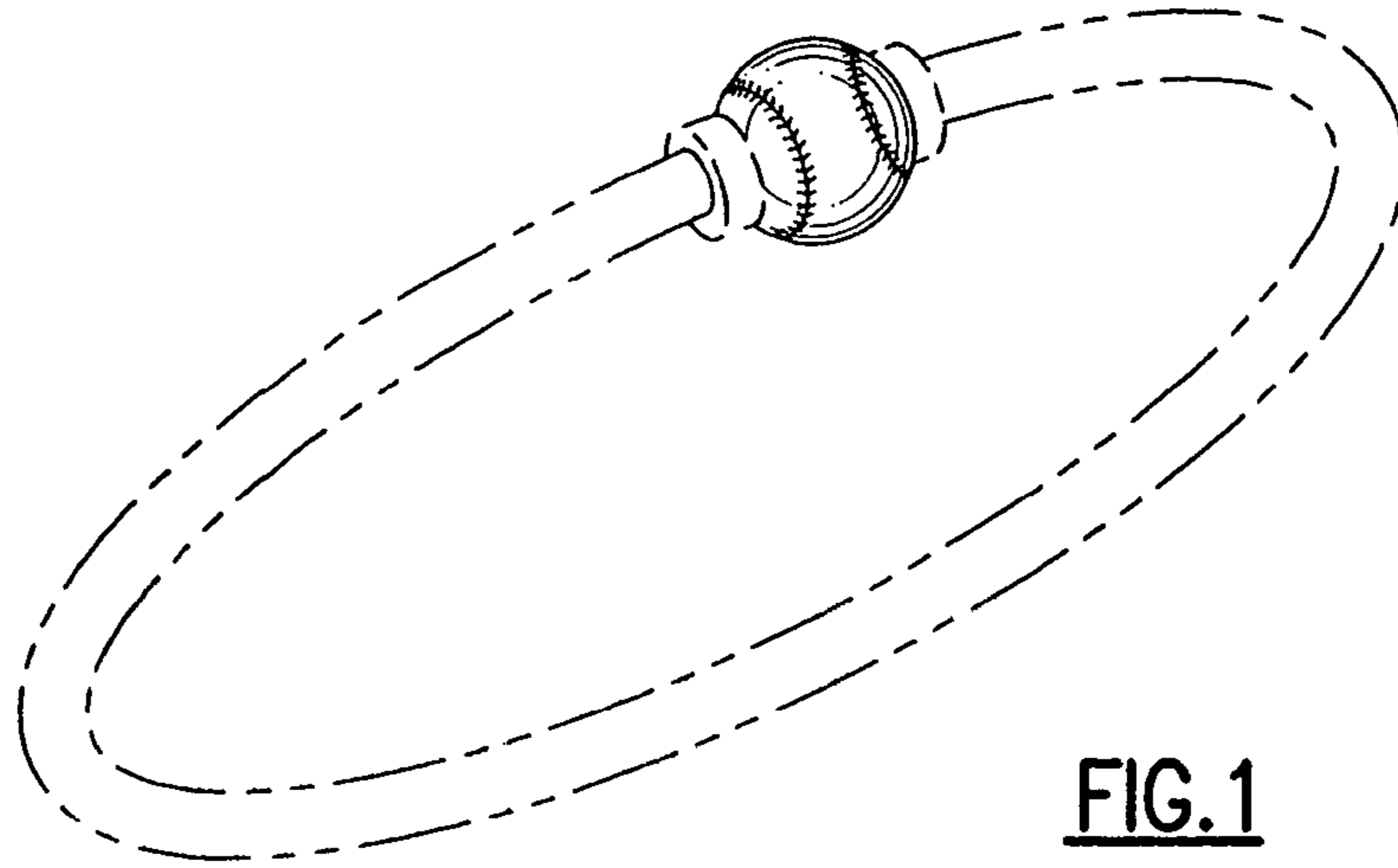


FIG. 1

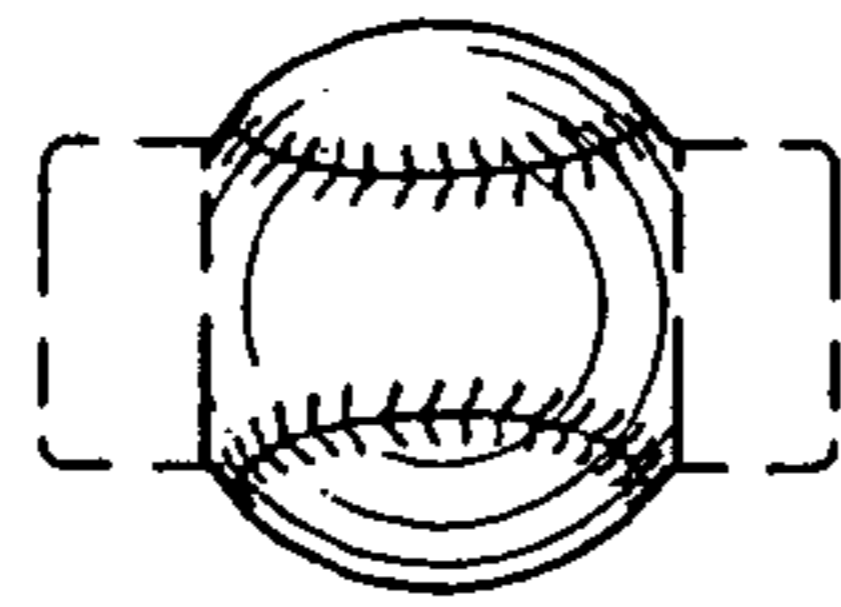


FIG. 2

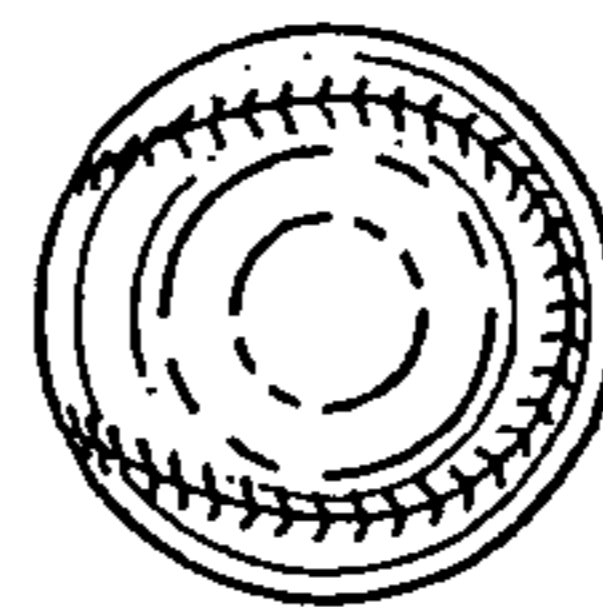


FIG. 3

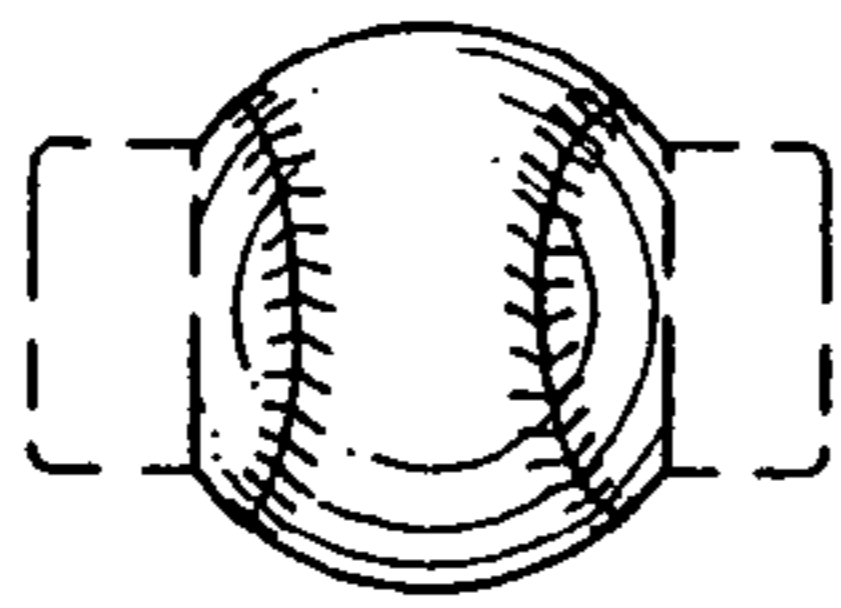


FIG. 4

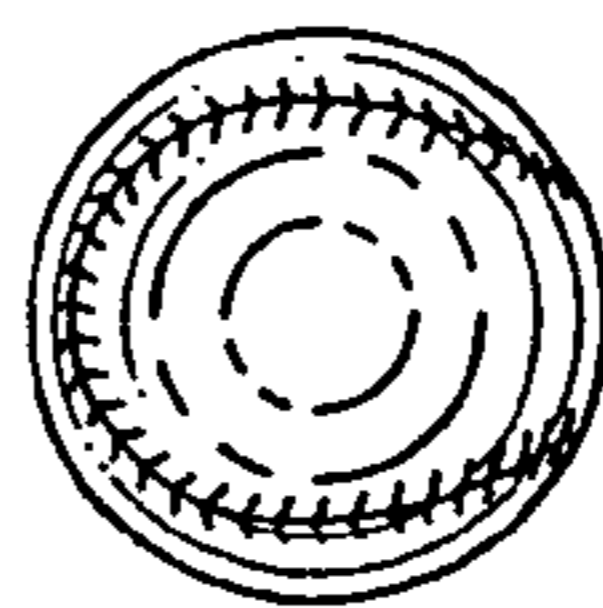


FIG. 5

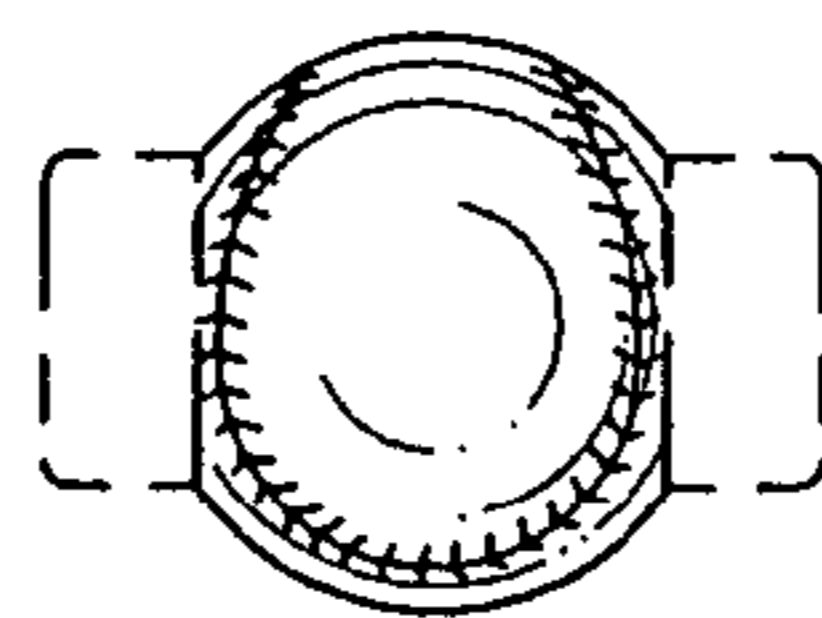


FIG. 6