



US00D555026S

(12) **United States Design Patent**
Teiber et al.

(10) **Patent No.:** **US D555,026 S**

(45) **Date of Patent:** **** Nov. 13, 2007**

(54) **DOOR CHIME**

(75) Inventors: **Todd Teiber**, Plano, TX (US); **Roger Priest**, Aubrey, TX (US); **Walter Brookins**, Dallas, TX (US)

(73) Assignee: **Craftmade International, Inc.**, Coppel, TX (US)

(**) Term: **14 Years**

(21) Appl. No.: **29/269,495**

(22) Filed: **Dec. 1, 2006**

(51) **LOC (8) Cl.** **10-05**

(52) **U.S. Cl.** **D10/118**

(58) **Field of Classification Search** D10/116-120;
D14/257, 215; D23/370, 371; D25/135,
D25/145, 141, 140, 159; D26/85, 72, 159,
D26/158; 340/393, 392, 394, 392.1, 384 E,
340/384 R, 384.1, 384.3, 384.4, 384.5, 384.6,
340/384.7; 256/65.14, 65.01; 52/721.3,
52/721.5, 723.2, 737.5; 361/118

See application file for complete search history.

(56) **References Cited**

U.S. PATENT DOCUMENTS

D176,843 S * 2/1956 Dreyfuss D10/118
D183,152 S * 7/1958 Welhofer D10/118

D264,320 S * 5/1982 Doggart D10/118
D394,124 S * 5/1998 Mackert et al. D26/85
D399,588 S * 10/1998 St. Ives D26/76
D456,929 S * 5/2002 Russello et al. D26/85
D484,633 S * 12/2003 Campagna D26/72
D541,689 S * 5/2007 Meyers et al. D10/118

* cited by examiner

Primary Examiner—Robert M. Spear

Assistant Examiner—George D Kirschbaum

(74) *Attorney, Agent, or Firm*—Munsch Hardt Kopf & Harr, P.C.

(57) **CLAIM**

The ornamental design for a door chime, as shown and described.

DESCRIPTION

FIG. 1 is a perspective view of the door chime showing our new design;

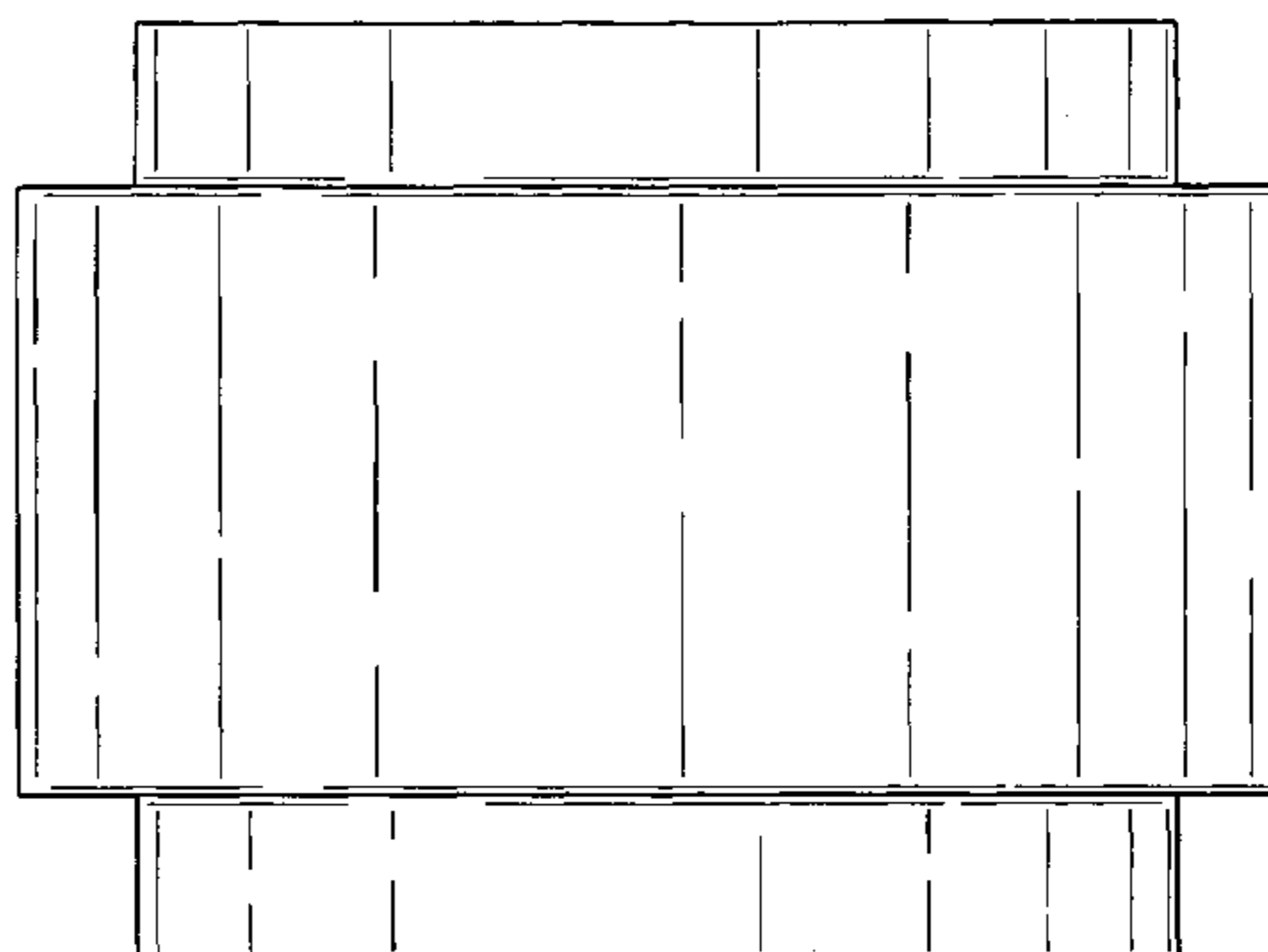
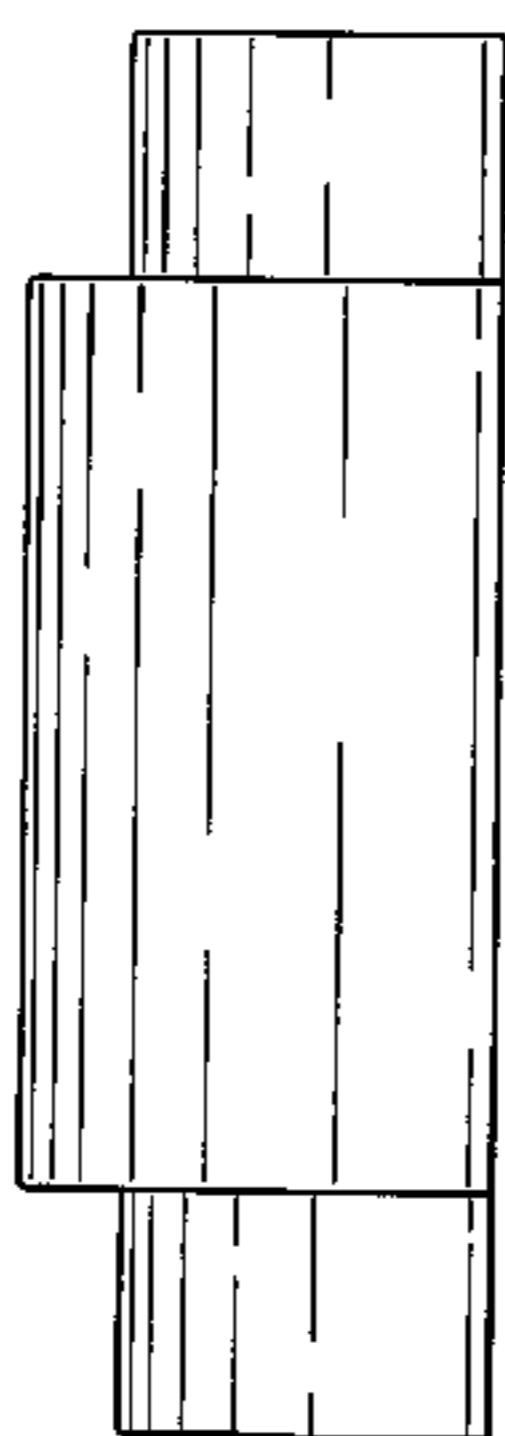
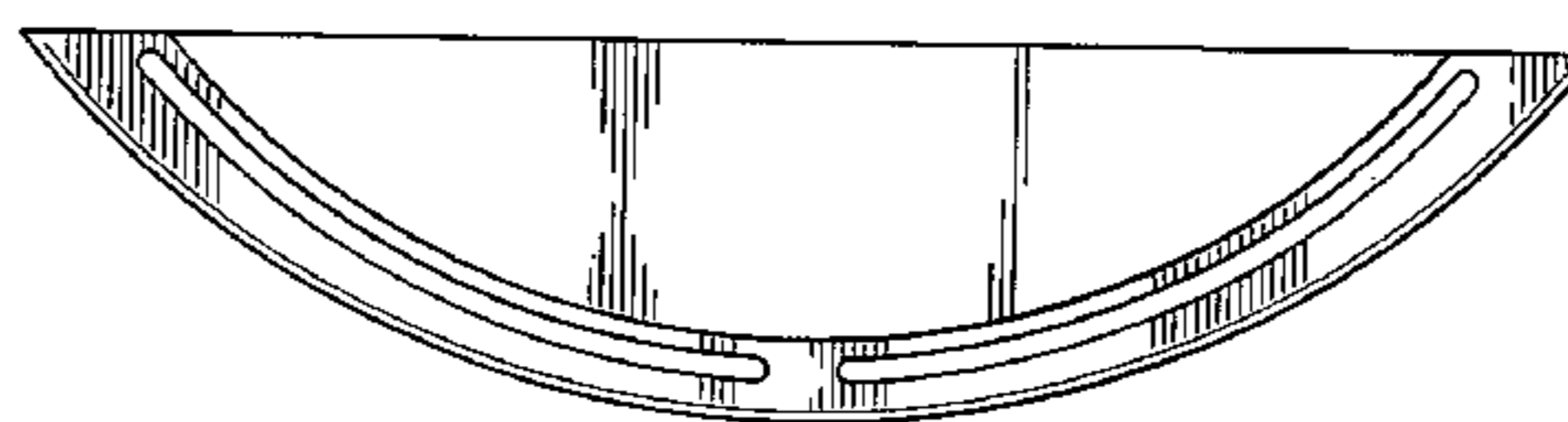
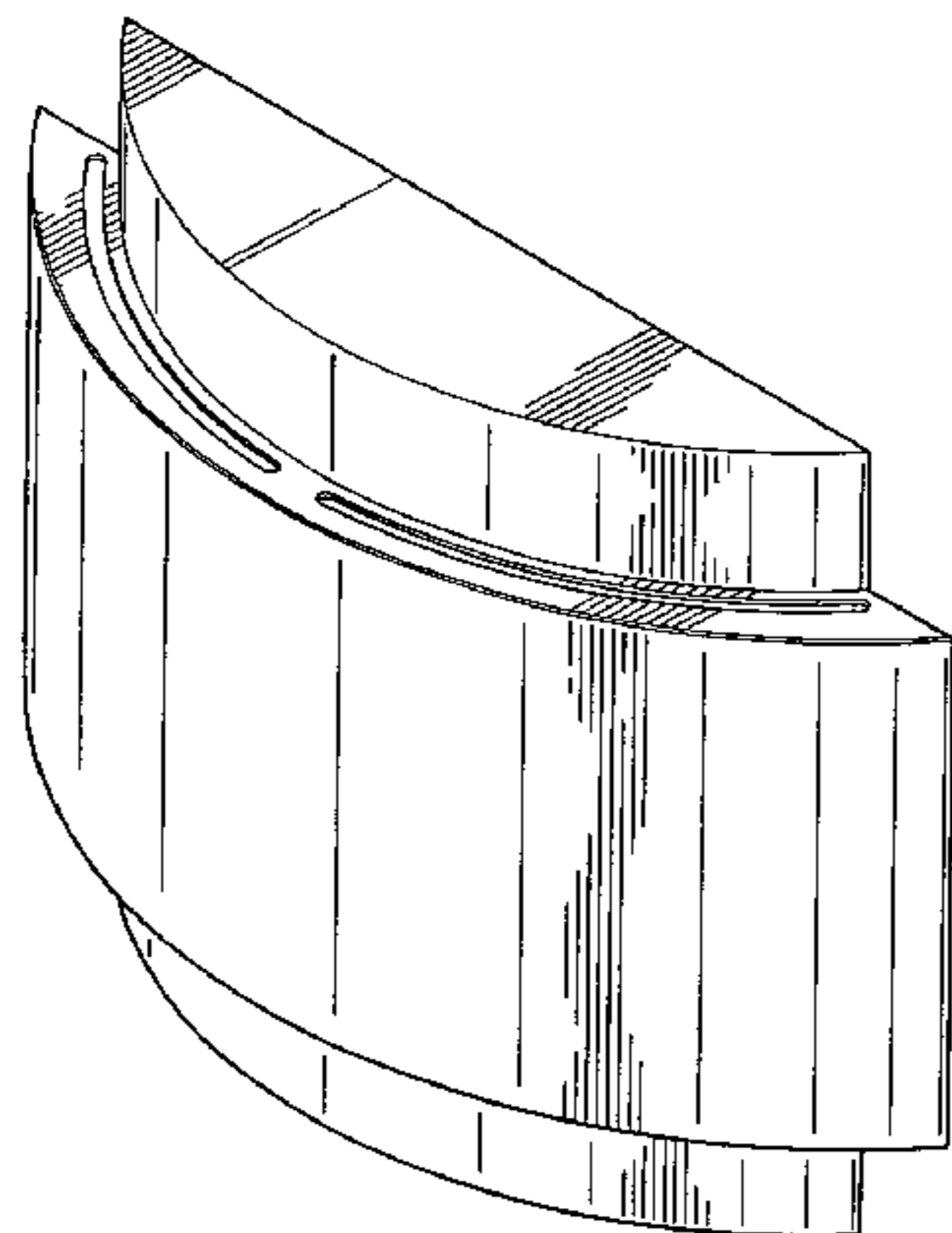
FIG. 2 is a right side elevational view thereof, the left side elevational view being a mirror image;

FIG. 3 is a top plan view thereof, the bottom plan view being a mirror image thereof;

FIG. 4 front elevational view thereof; and,

FIG. 5 is a rear elevational view thereof.

1 Claim, 2 Drawing Sheets



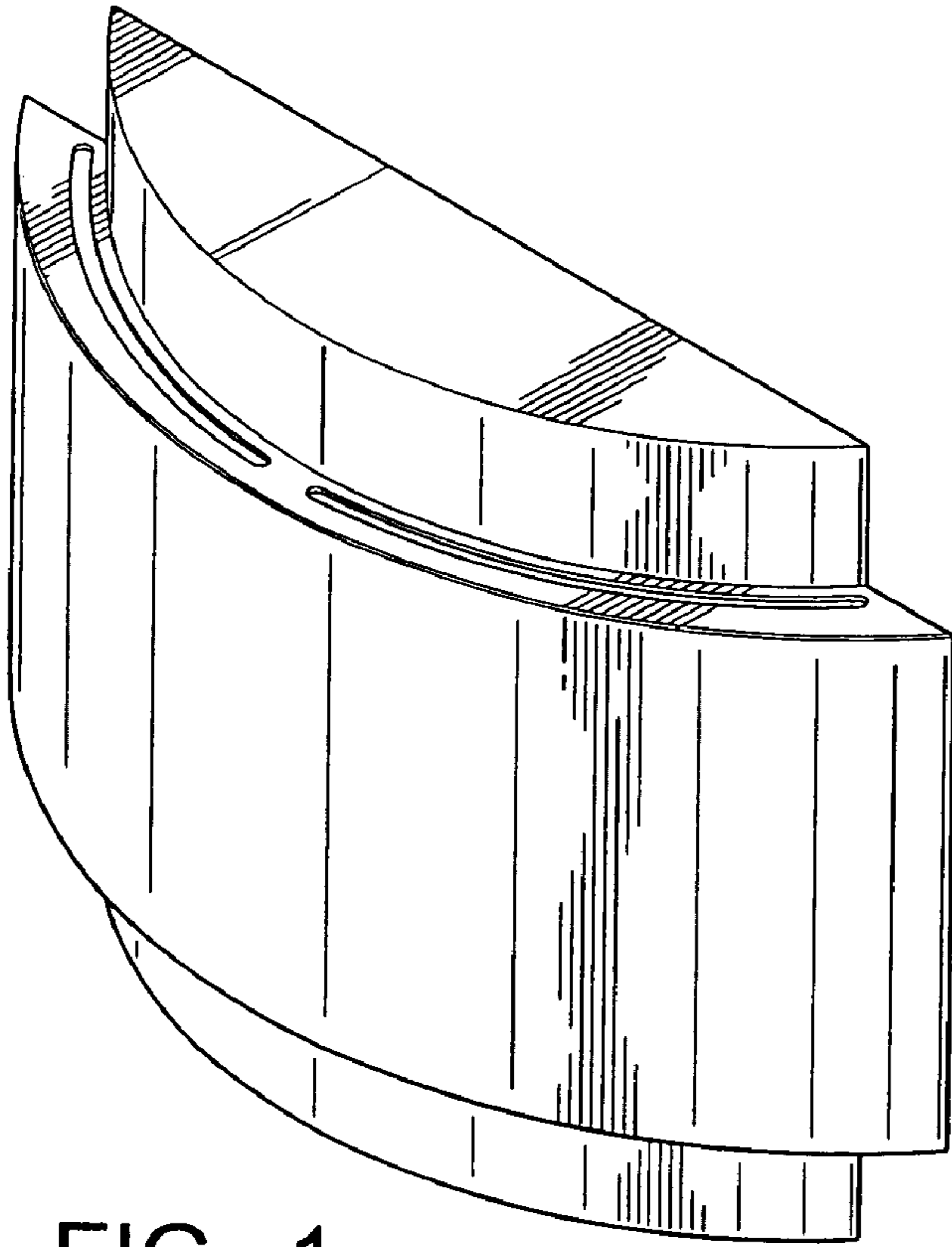


FIG. 1

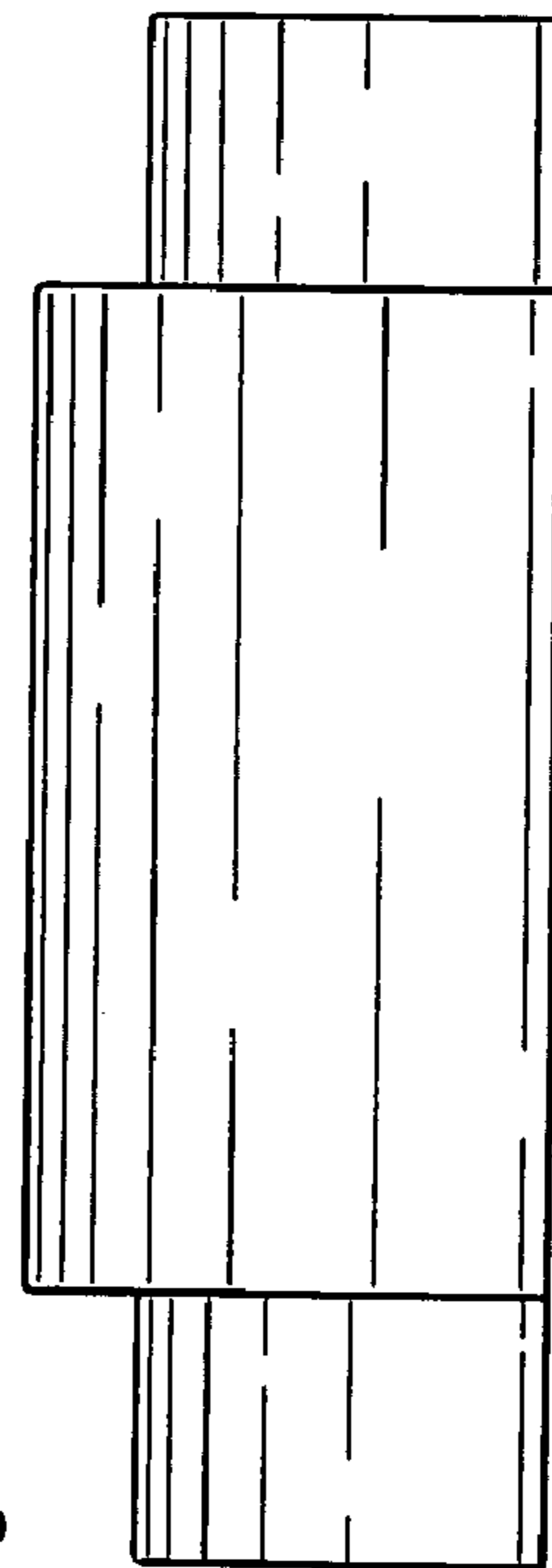


FIG. 2

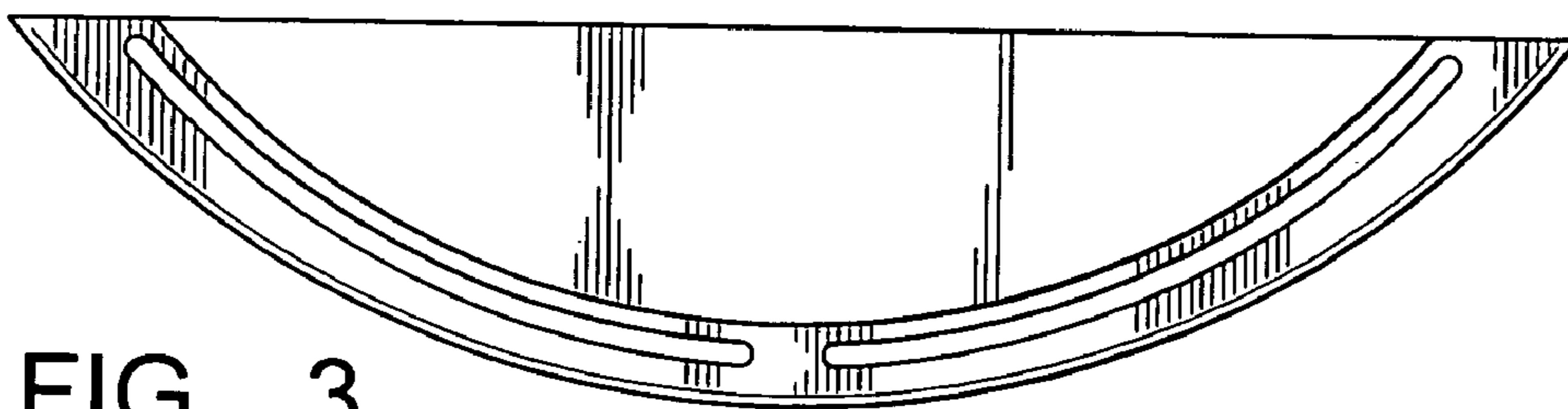


FIG. 3

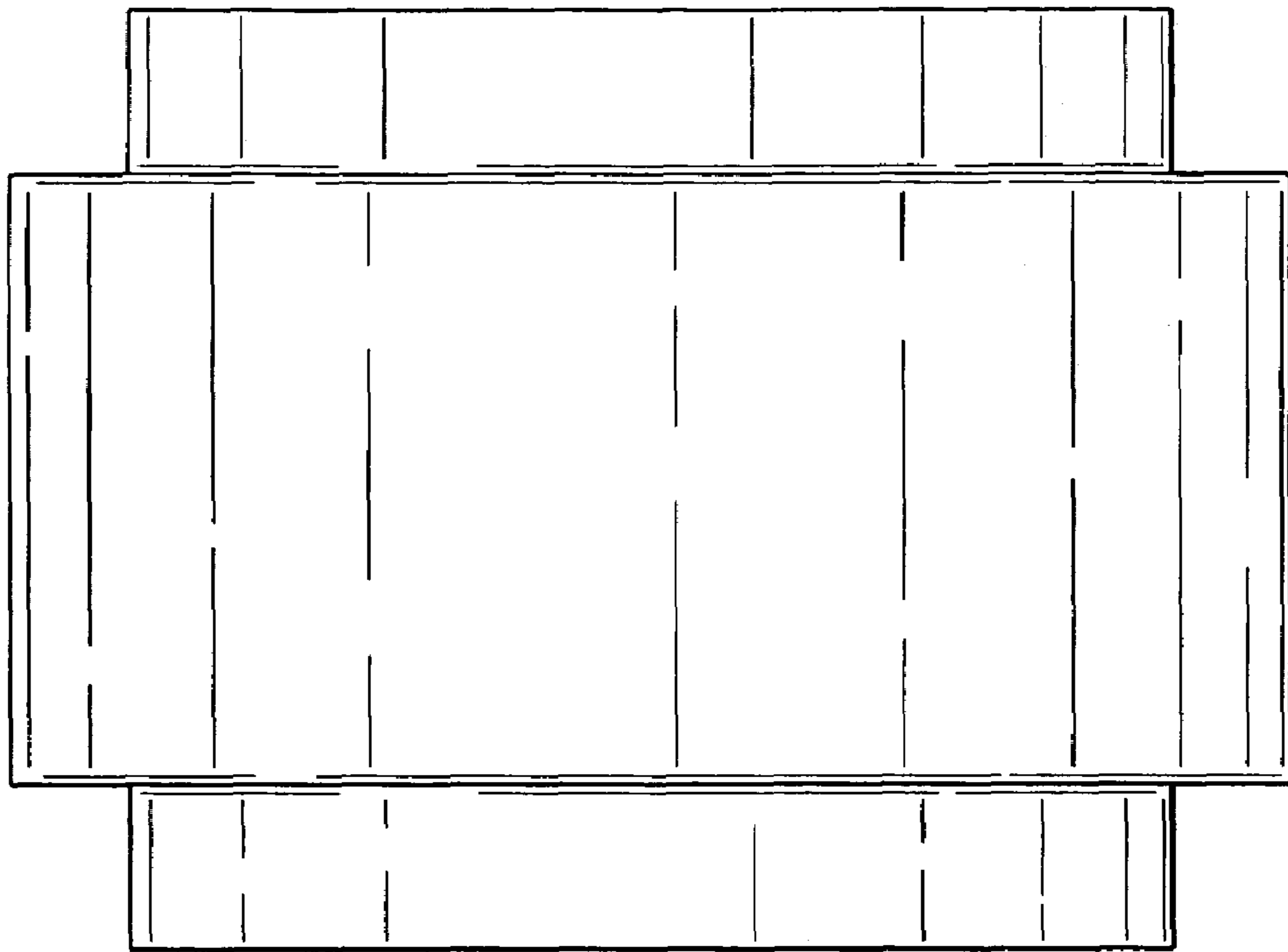


FIG. 4

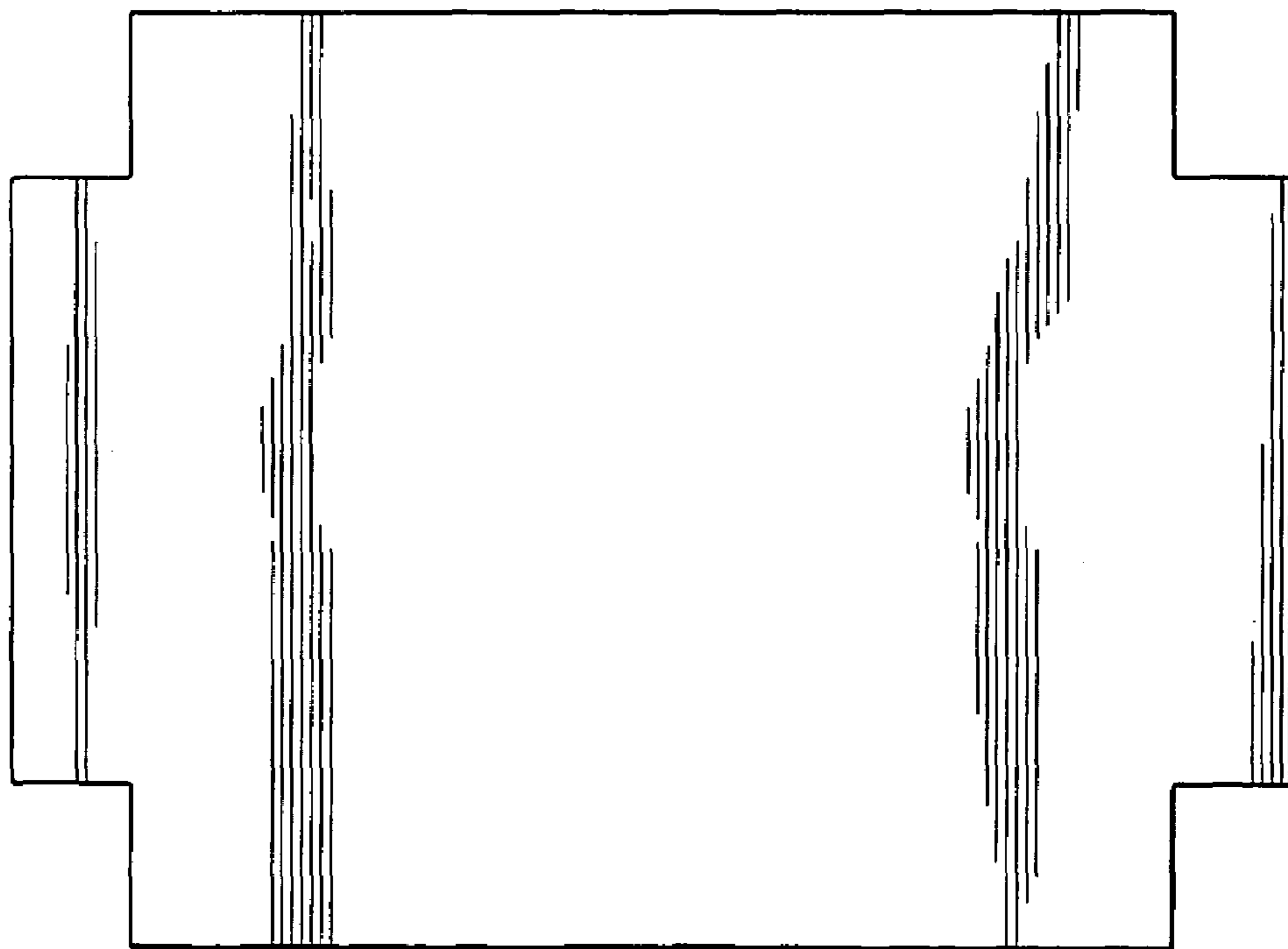


FIG. 5