



US00D555024S

(12) **United States Design Patent**  
**Fawcett et al.**

(10) **Patent No.:** **US D555,024 S**

(45) **Date of Patent:** **\*\* Nov. 13, 2007**

(54) **COMBINED HOUSING AND HANDLE FOR A CABLE SECURITY DEVICE**

(75) Inventors: **Christopher J. Fawcett**, Charlotte, NC (US); **Ronald M. Marsilio**, Lake Wiley, SC (US)

(73) Assignee: **Alpha Security Products, Inc.**, Charlotte, NC (US)

(\*\*) Term: **14 Years**

(21) Appl. No.: **29/285,467**

(22) Filed: **Mar. 29, 2007**

**Related U.S. Application Data**

(62) Division of application No. 29/220,240, filed on Dec. 28, 2004, now Pat. No. Des. 545,228.

(51) **LOC (8) Cl.** ..... **10-05**

(52) **U.S. Cl.** ..... **D10/104; D10/116**

(58) **Field of Classification Search** ..... D10/104-121; D13/139.6, 139.5, 139.4; 70/59-61, 58, 70/57, 57.1; 211/4; 24/3.13, 704.1, 16 PB; 340/568.1; 248/309.1; D8/499, 356; 160/178.1 V; 292/321, 318, 322; 40/663, 664; 206/343  
See application file for complete search history.

(56) **References Cited**

**U.S. PATENT DOCUMENTS**

RE35,361 E	10/1996	Hogan et al.	
5,615,463 A	4/1997	Wu	
5,979,196 A	11/1999	Vanmoor	
D424,465 S	5/2000	Davidson	
6,092,401 A	7/2000	Sankey et al.	
D484,097 S *	12/2003	Drane et al. ....	D13/139.4
6,807,832 B1	10/2004	Jeng	

D515,957 S	2/2006	Dueker et al.	
D521,403 S	5/2006	Shain et al.	
7,129,841 B2	10/2006	Feibelman	
D533,799 S *	12/2006	Thalhammer et al. ....	D10/106
D539,229 S *	3/2007	Murphey .....	D13/155
7,212,115 B1 *	5/2007	Fawcett .....	340/546
2003/0110818 A1 *	6/2003	Schlipper .....	70/18
2004/0074265 A1 *	4/2004	Bruening et al. ....	70/59
2005/0116827 A1 *	6/2005	Feibelman .....	340/572.9
2005/0270155 A1 *	12/2005	Sayegh .....	340/572.1
2006/0053845 A1 *	3/2006	Benda et al. ....	70/18
2006/0218978 A1 *	10/2006	Toler et al. ....	70/18
2006/0220848 A1 *	10/2006	Tropper .....	340/568.1

\* cited by examiner

*Primary Examiner*—Robert M. Spear  
*Assistant Examiner*—George D Kirschbaum  
(74) *Attorney, Agent, or Firm*—Sand + Sebolt

(57) **CLAIM**

The ornamental design for a combined housing and handle for a cable security device, as shown and described.

**DESCRIPTION**

FIG. 1 is a top perspective view of a combined housing and handle for a cable security device of our new design with the handle in the closed position;

FIG. 2 is a front elevational view thereof;

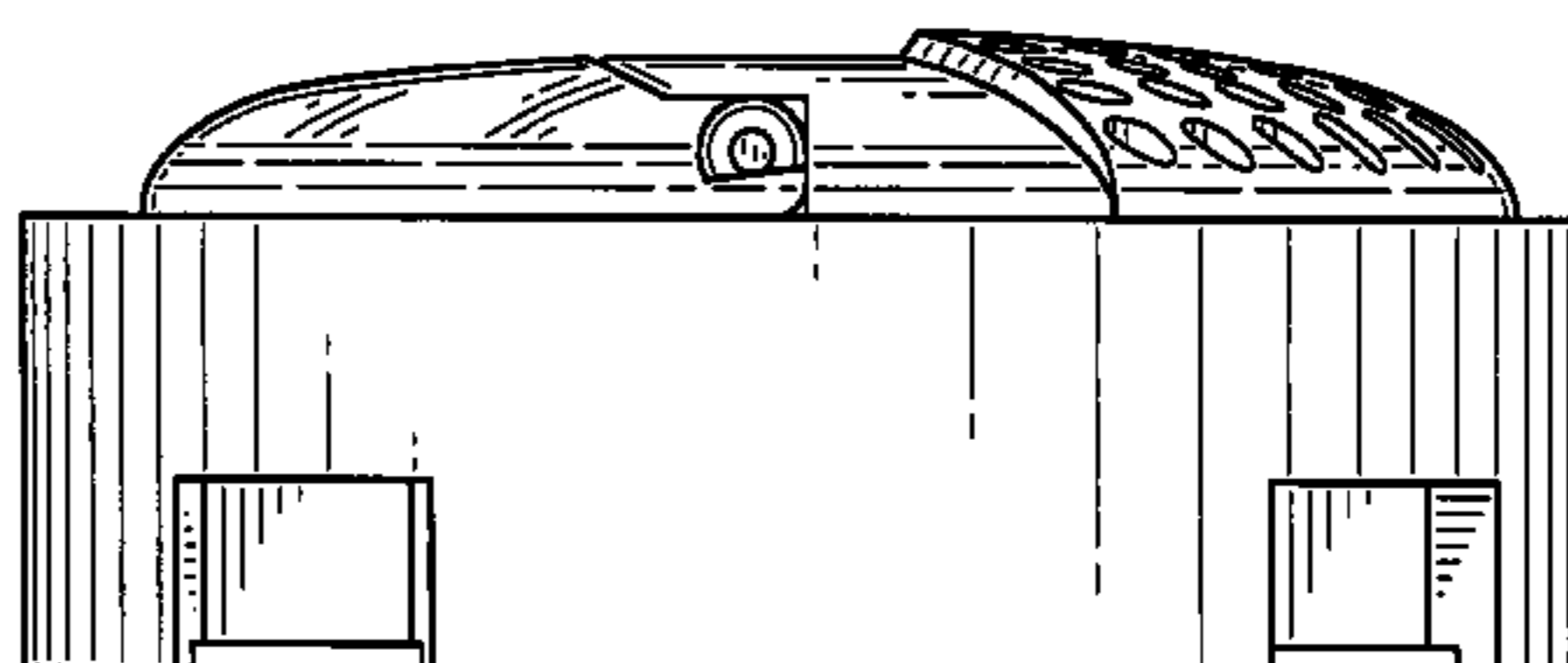
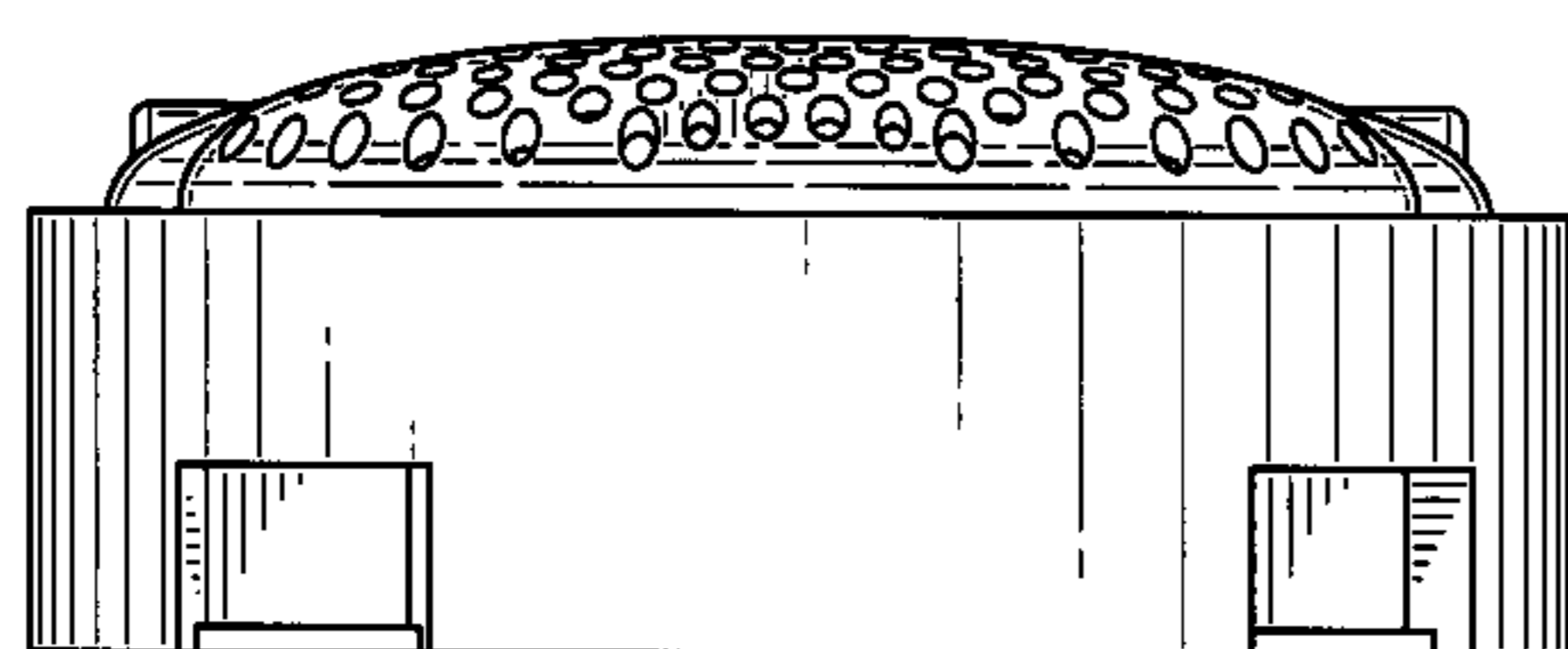
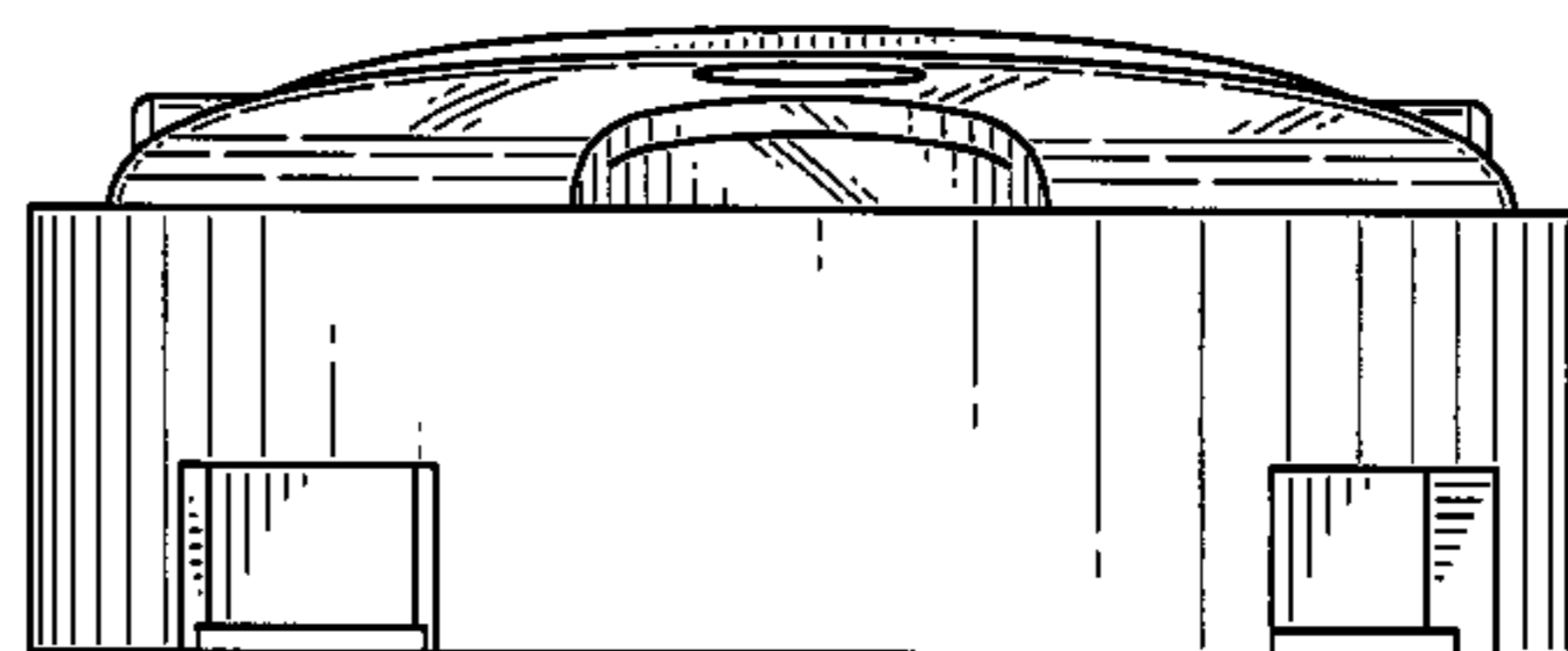
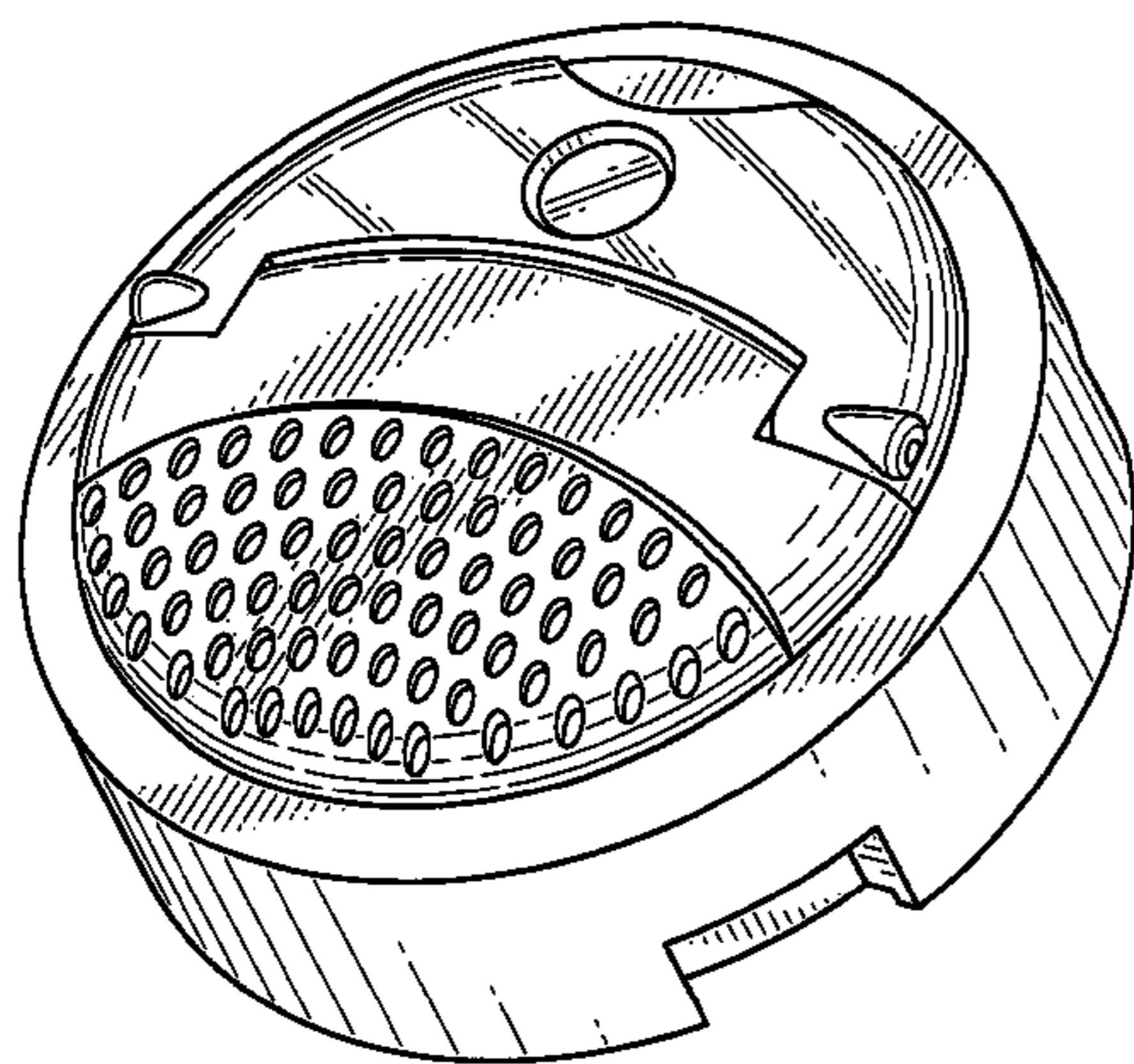
FIG. 3 is a rear elevational view thereof;

FIG. 4 is a left side view, the right side being a mirror image thereof;

FIG. 5 is a bottom plan view thereof; and,

FIG. 6 is a top perspective view with the handle in the raised position thereof.

**1 Claim, 3 Drawing Sheets**



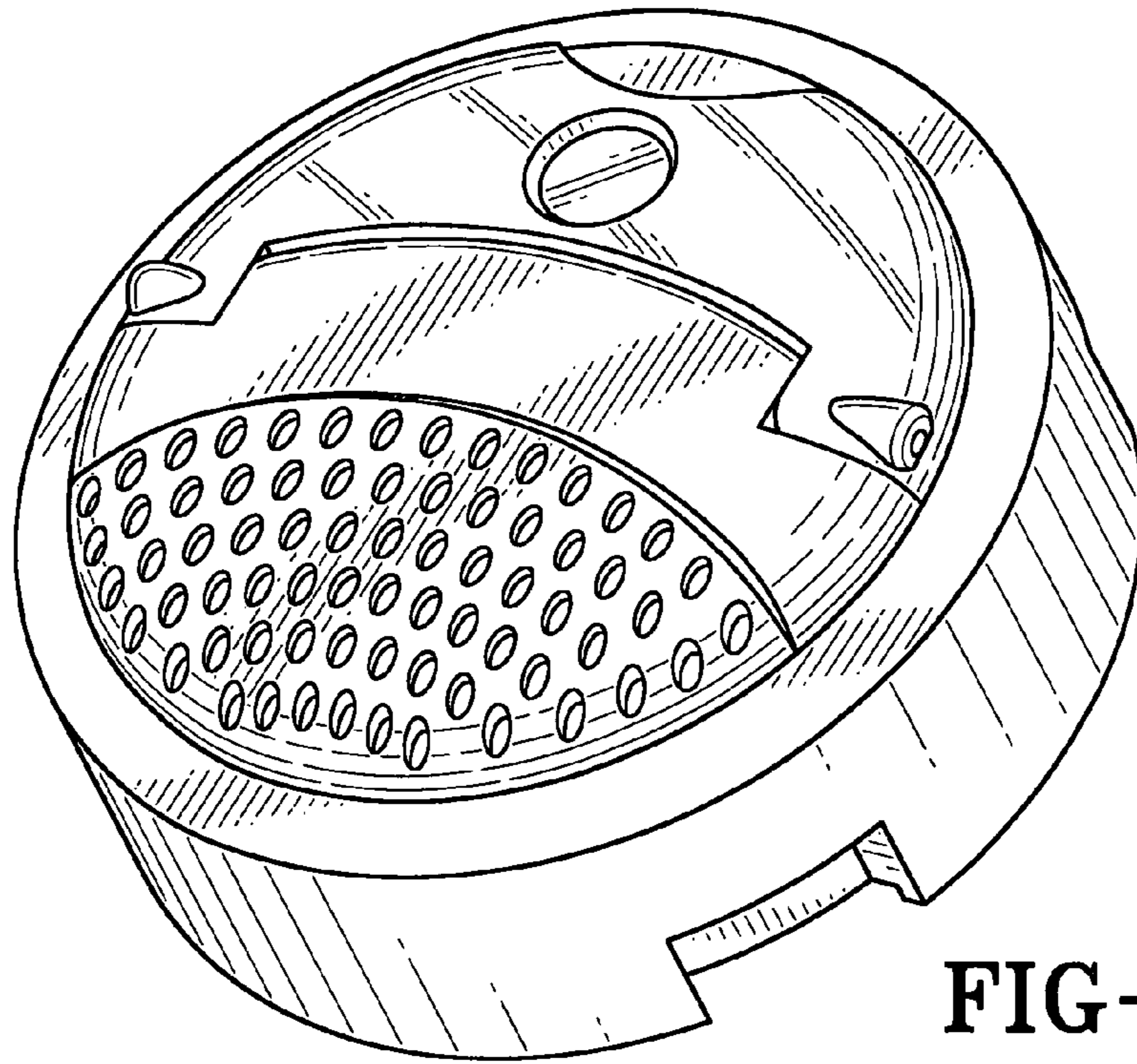


FIG-1

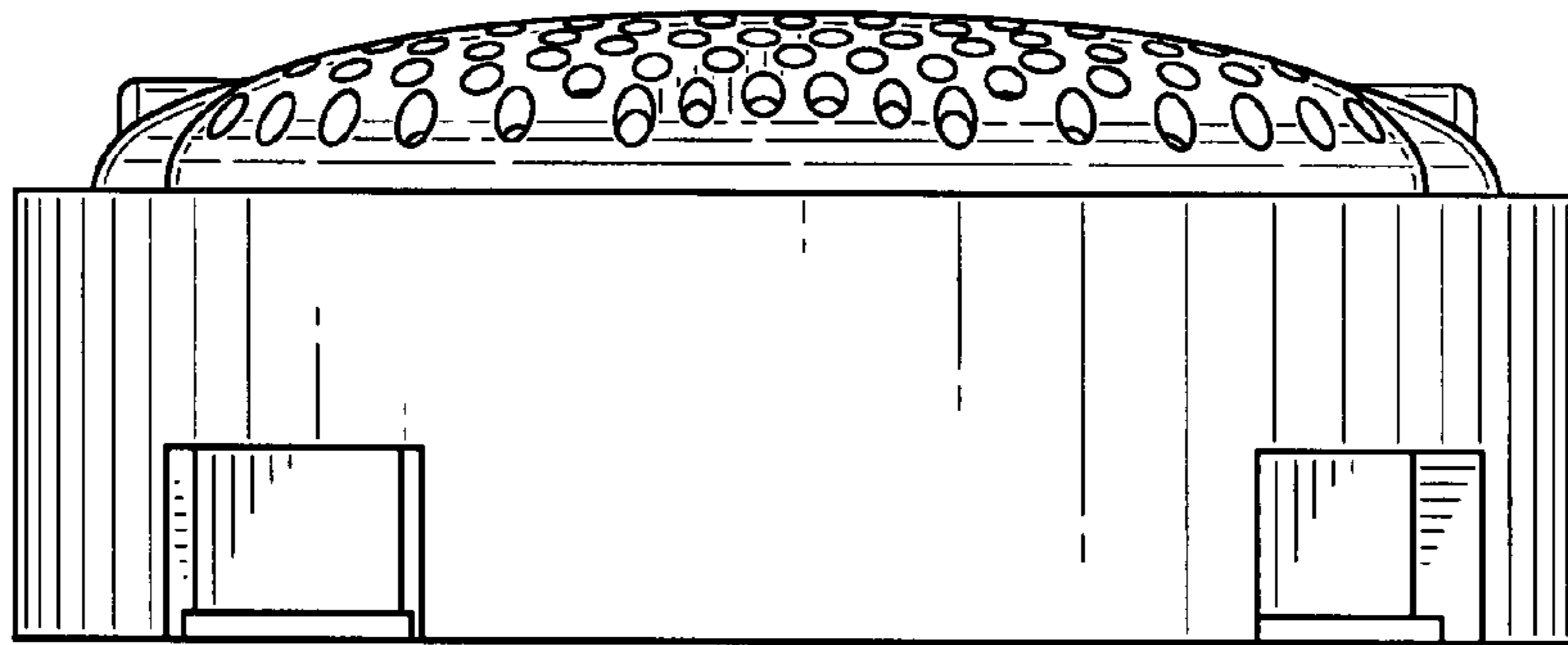


FIG-2

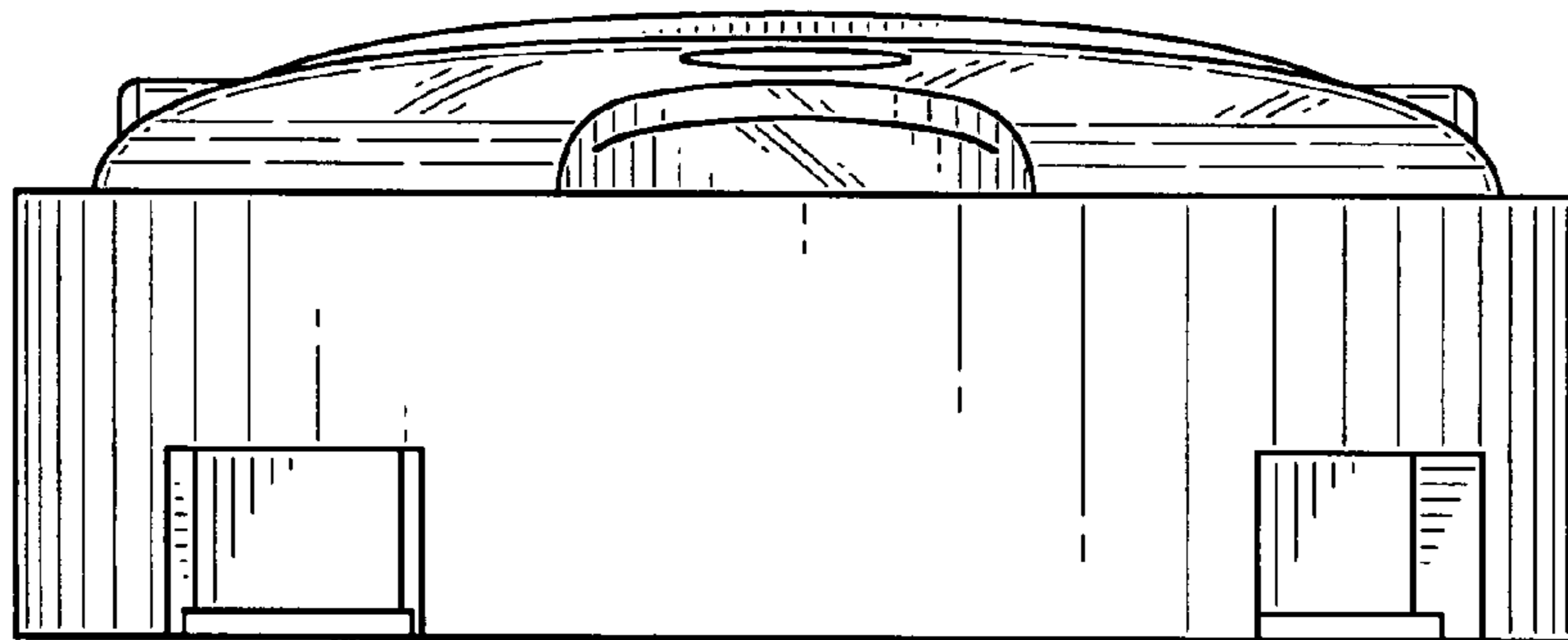


FIG-3

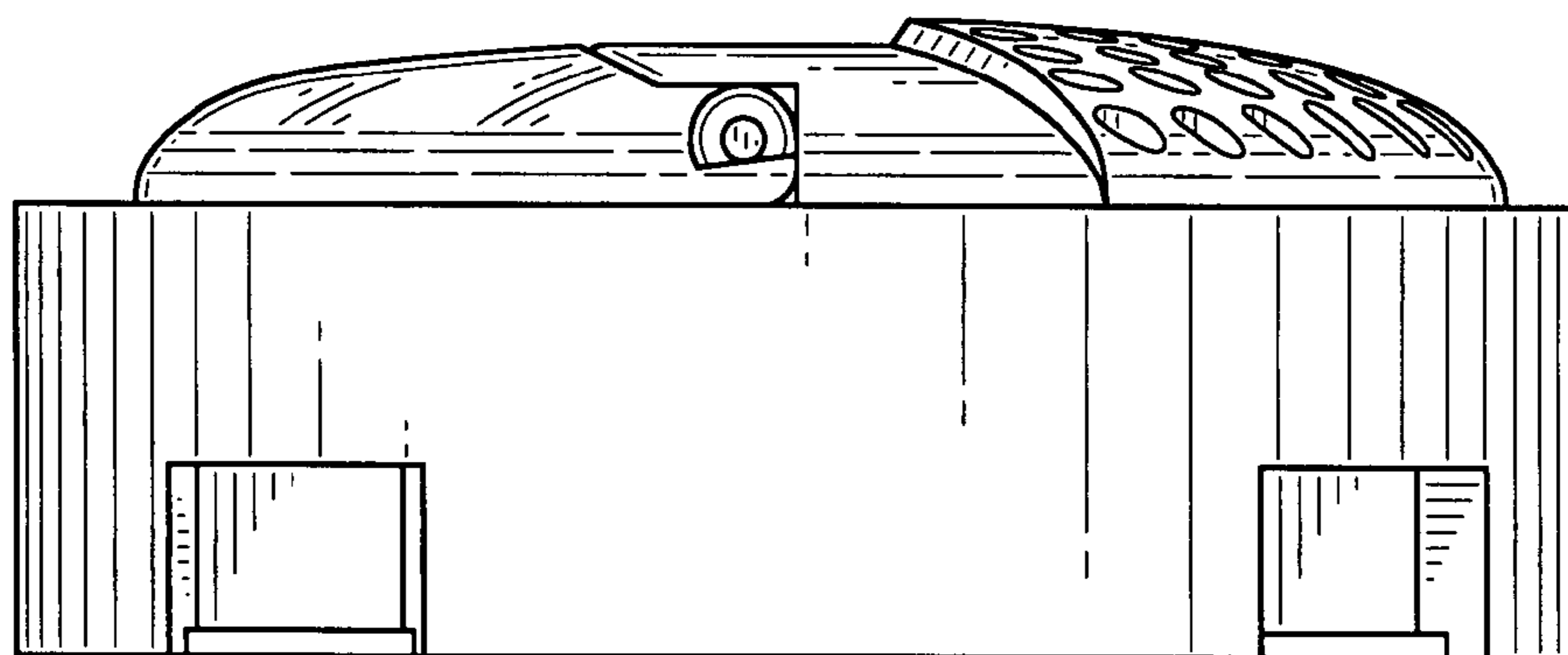


FIG-4

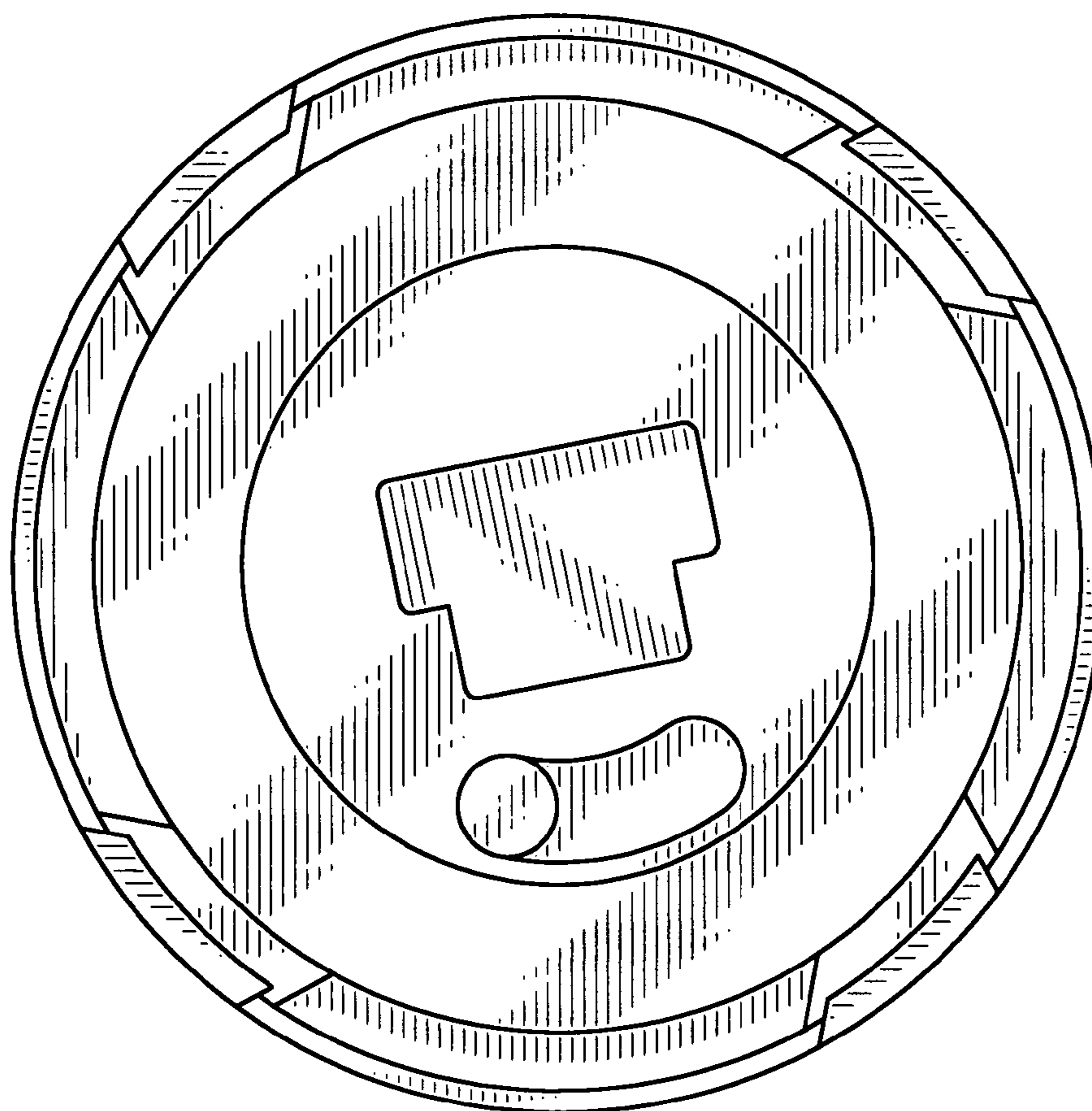
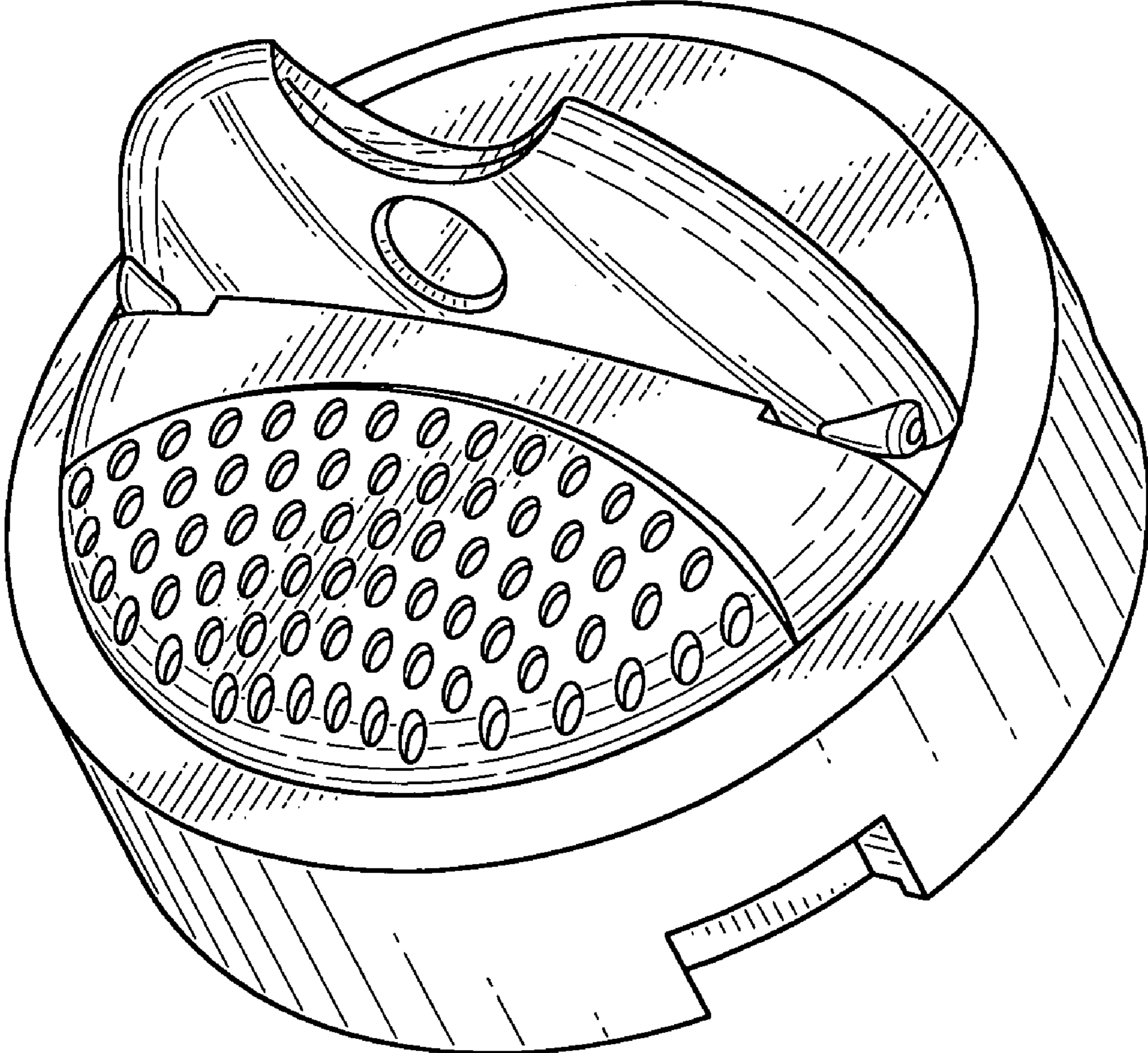


FIG-5



**FIG-6**