

US00D555023S

(12) **United States Design Patent**  
**Fawcett et al.**

(10) **Patent No.:** **US D555,023 S**

(45) **Date of Patent:** **\*\* Nov. 13, 2007**

(54) **HANDLE FOR A CABLE SECURITY DEVICE**

(75) Inventors: **Christopher J. Fawcett**, Charlotte, NC (US); **Ronald M. Marsilio**, Lake Wiley, SC (US)

(73) Assignee: **Alpha Security Products, Inc.**, Charlotte, NC (US)

(\*\*) Term: **14 Years**

(21) Appl. No.: **29/285,466**

(22) Filed: **Mar. 29, 2007**

**Related U.S. Application Data**

(62) Division of application No. 29/220,240, filed on Dec. 28, 2004.

(51) **LOC (8) Cl.** ..... **10-05**

(52) **U.S. Cl.** ..... **D10/104**

(58) **Field of Classification Search** ..... D10/104-121; D13/139.6, 139.5, 139.4; 70/59-61, 58, 70/57, 57.1; 211/4; 24/3.13, 704.1, 16 PB; 340/568.1; 248/309.1; D8/499, 356; 160/178.1 V; 292/321, 318, 322; 40/663, 664; 206/343  
See application file for complete search history.

(56) **References Cited**

**U.S. PATENT DOCUMENTS**

|                |         |                        |           |
|----------------|---------|------------------------|-----------|
| RE35,361 E     | 10/1996 | Hogan et al.           |           |
| 5,615,463 A    | 4/1997  | Wu                     |           |
| 5,979,196 A    | 11/1999 | Vanmoor                |           |
| D424,465 S     | 5/2000  | Davidson               |           |
| 6,092,401 A    | 7/2000  | Sankey et al.          |           |
| D484,097 S *   | 12/2003 | Drane et al. ....      | D13/139.4 |
| 6,807,832 B1   | 10/2004 | Jeng                   |           |
| D515,957 S     | 2/2006  | Dueker et al.          |           |
| D521,403 S     | 5/2006  | Shain et al.           |           |
| 7,129,841 B2   | 10/2006 | Feibelman              |           |
| D533,799 S *   | 12/2006 | Thalhammer et al. .... | D10/106   |
| D539,229 S *   | 3/2007  | Murphey .....          | D13/155   |
| 7,212,115 B1 * | 5/2007  | Fawcett .....          | 340/546   |

|                   |         |                      |           |
|-------------------|---------|----------------------|-----------|
| 2003/0110818 A1 * | 6/2003  | Schlipper .....      | 70/18     |
| 2004/0074265 A1 * | 4/2004  | Bruening et al. .... | 70/59     |
| 2005/0116827 A1 * | 6/2005  | Feibelman .....      | 340/572.9 |
| 2005/0270155 A1 * | 12/2005 | Sayegh .....         | 340/572.1 |
| 2006/0053845 A1 * | 3/2006  | Benda et al. ....    | 70/18     |
| 2006/0218978 A1 * | 10/2006 | Toler et al. ....    | 70/18     |
| 2006/0220848 A1 * | 10/2006 | Tropper .....        | 340/568.1 |

\* cited by examiner

*Primary Examiner*—Robert M. Spear

*Assistant Examiner*—George D Kirschbaum

(74) *Attorney, Agent, or Firm*—Sand + Sebolt

(57) **CLAIM**

The ornamental design for a handle for a cable security device, as shown and described.

**DESCRIPTION**

FIG. 1 is a top perspective view of a handle for a cable security device showing our new design with the handle in the closed position:

FIG. 2 is a front elevational view thereof;

FIG. 3 is a rear elevational view thereof;

FIG. 4 is a top plan view thereof;

FIG. 5 is a left side elevational view thereof;

FIG. 6 is a right side elevational view thereof;

FIG. 7 is a top perspective view thereof with handle in the open position;

FIG. 8 is a front elevational view thereof;

FIG. 9 is a rear elevational view thereof;

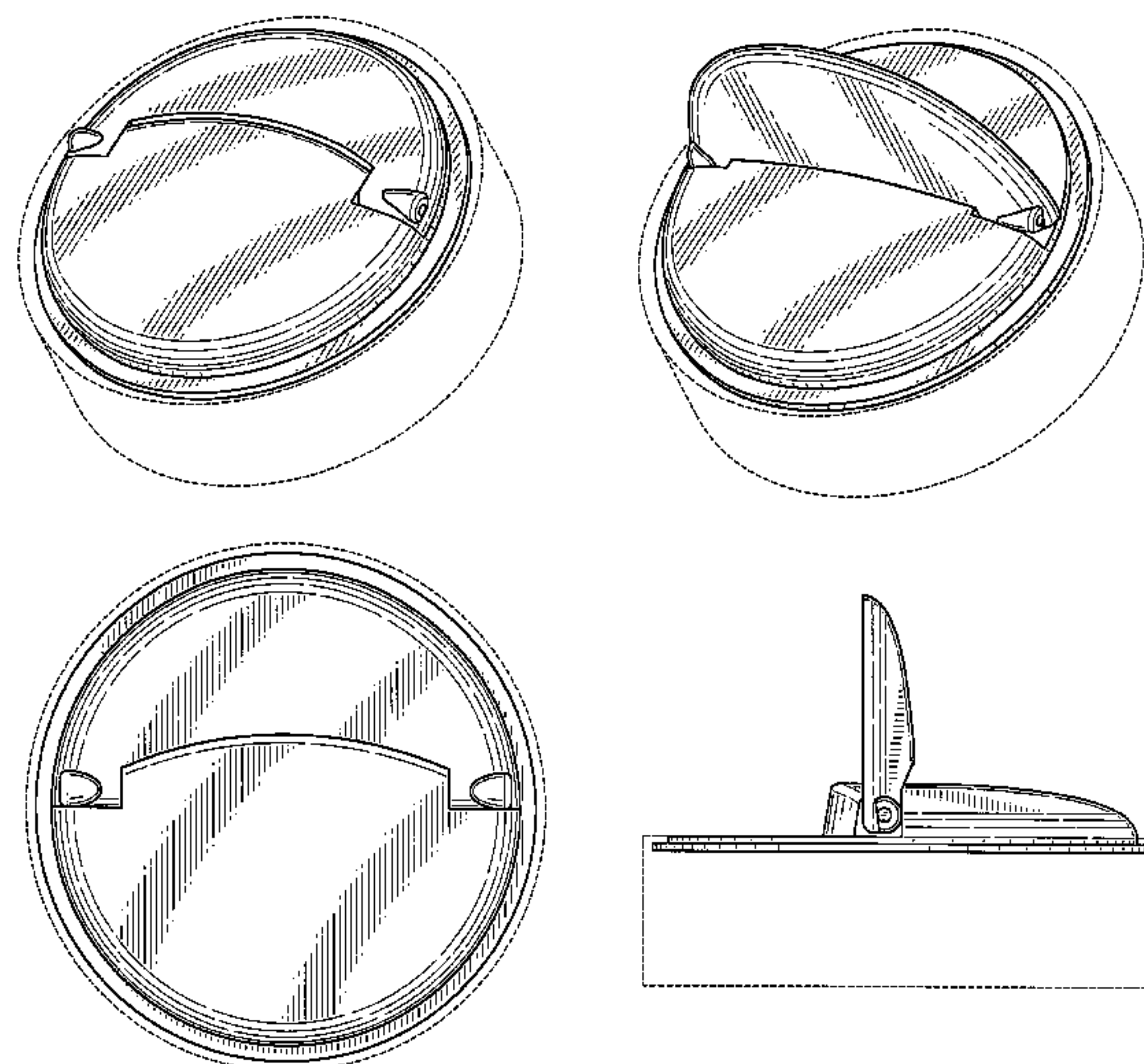
FIG. 10 is a top plan view thereof;

FIG. 11 is a left side elevational view thereof; and,

FIG. 12 is a right side elevational view thereof.

The broken lines in the drawings represent unclaimed environmental subject matter.

**1 Claim, 5 Drawing Sheets**



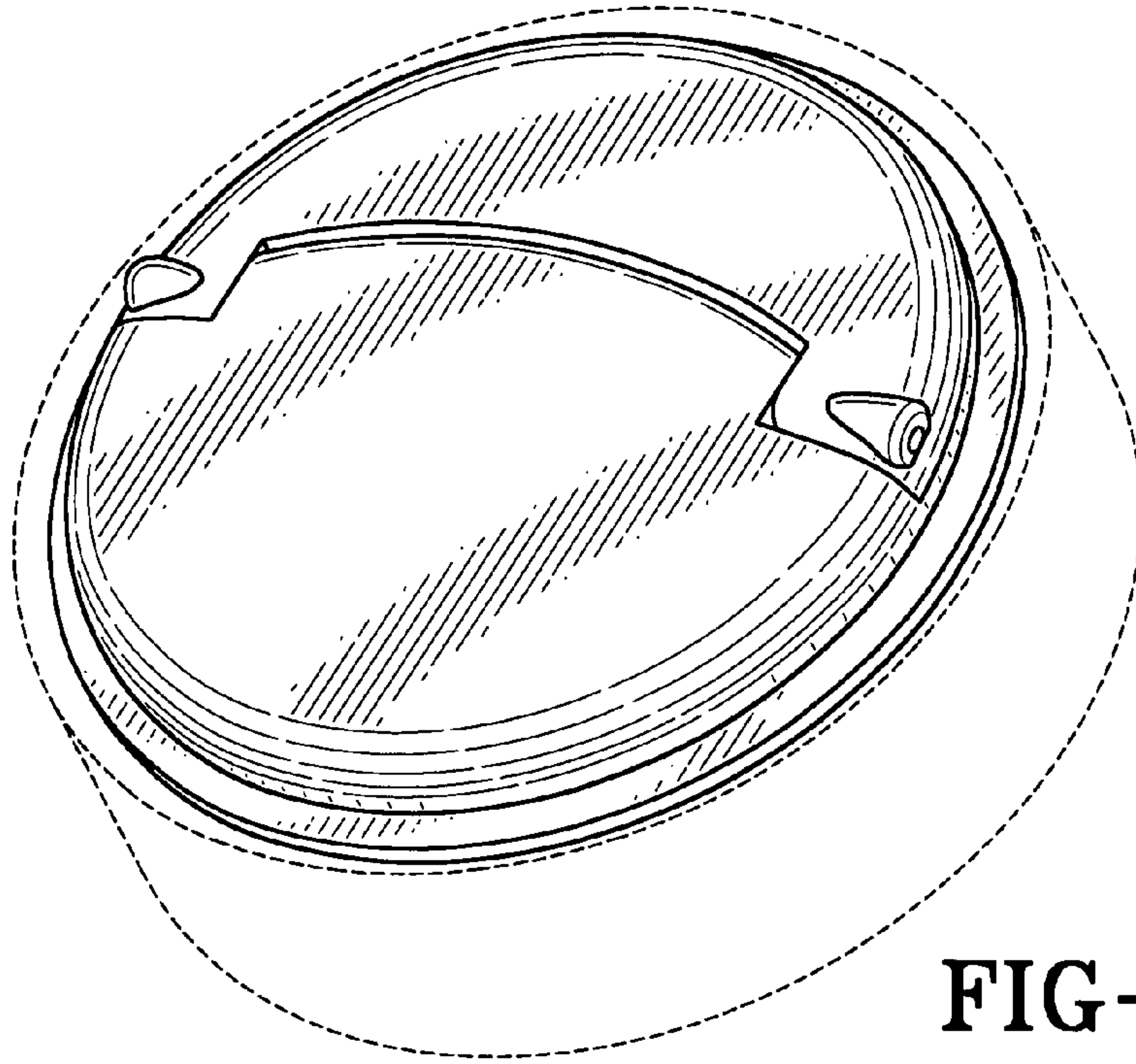


FIG-1

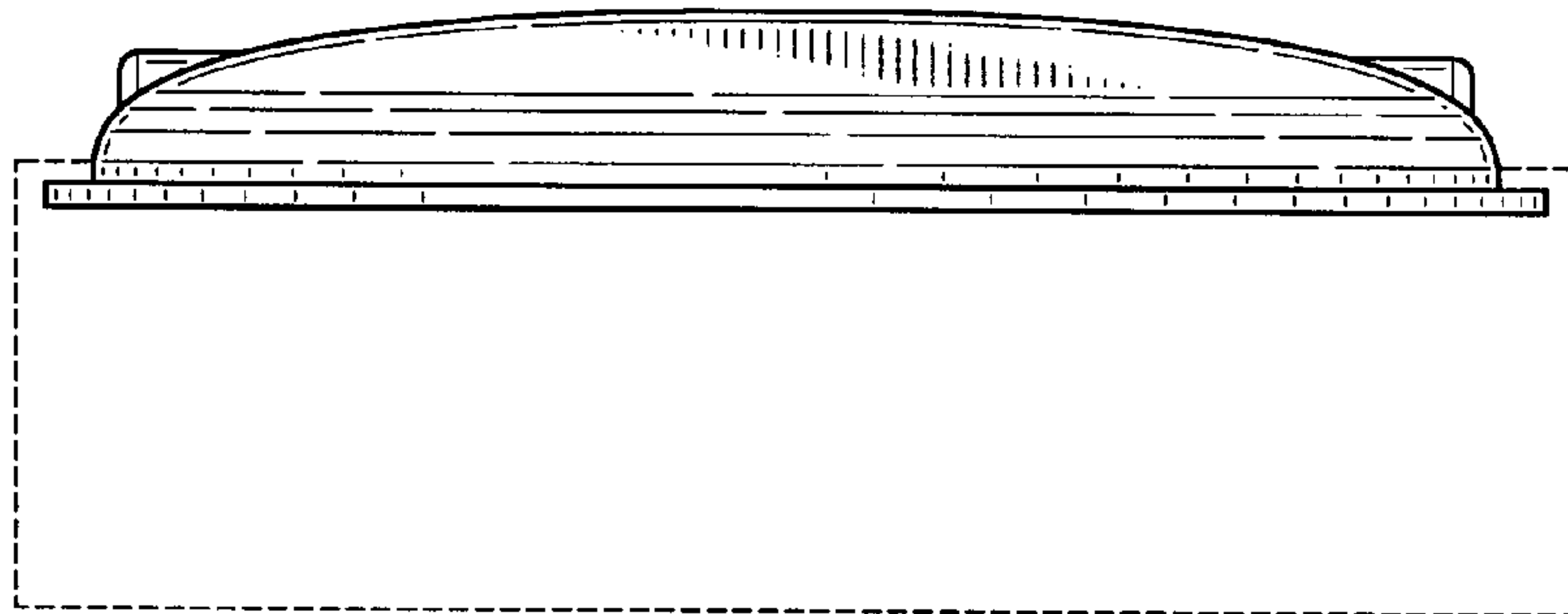


FIG-2

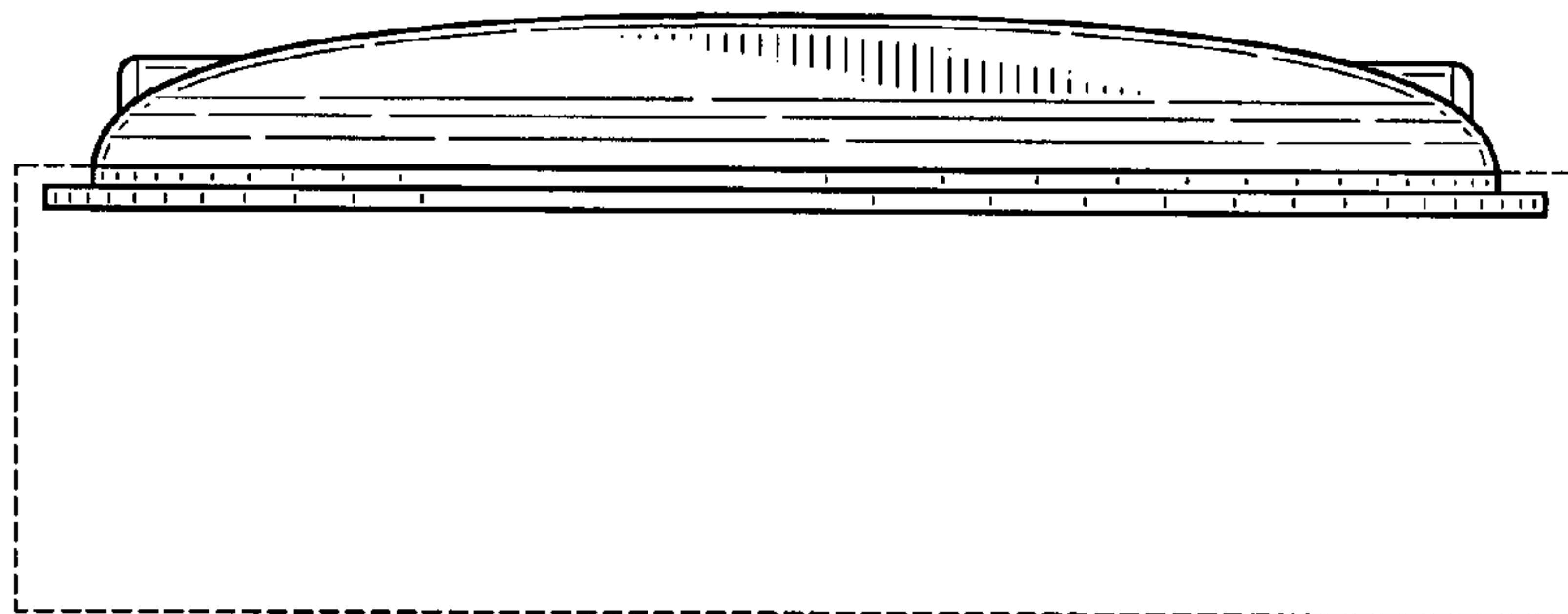


FIG-3

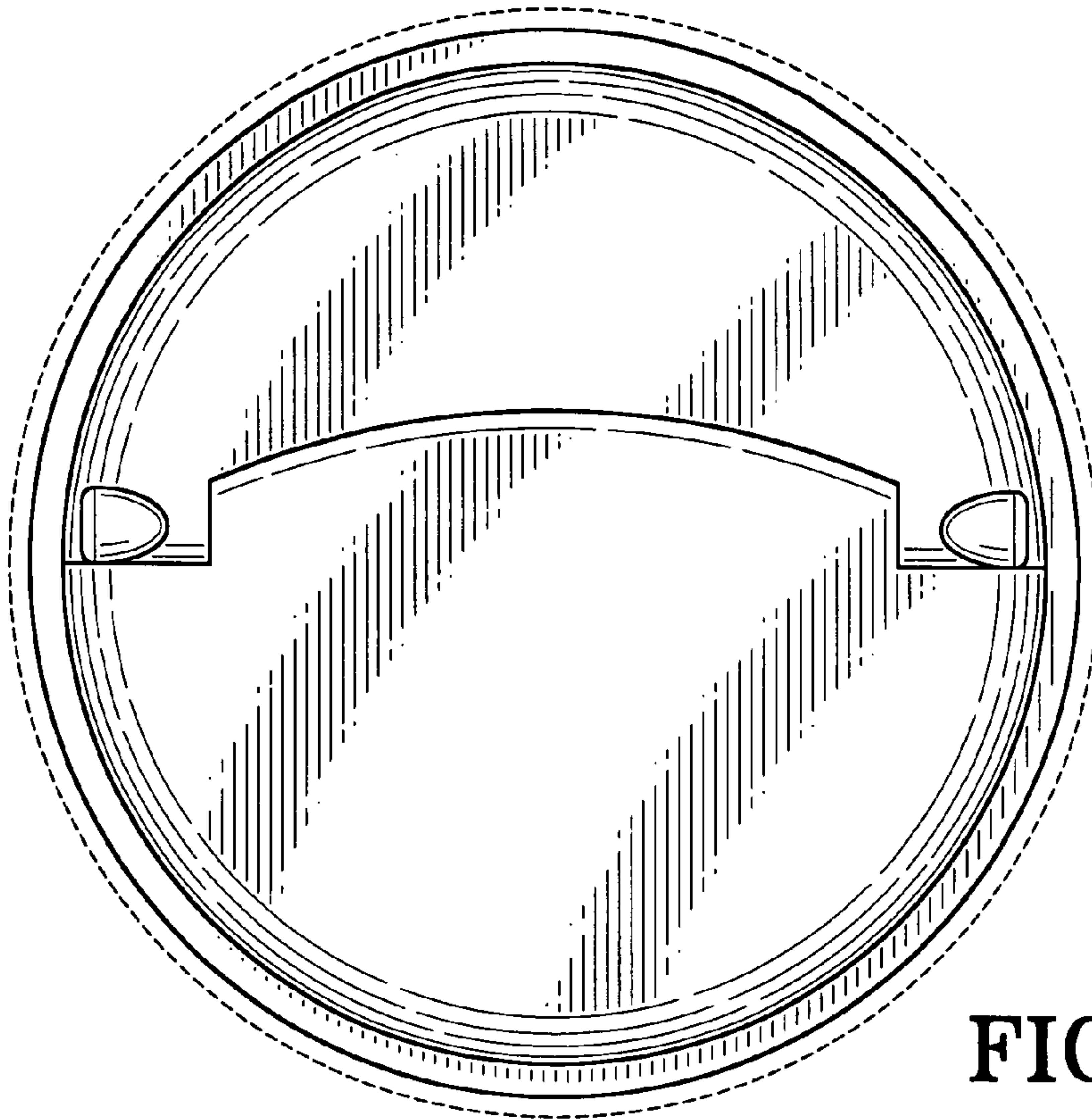


FIG-4

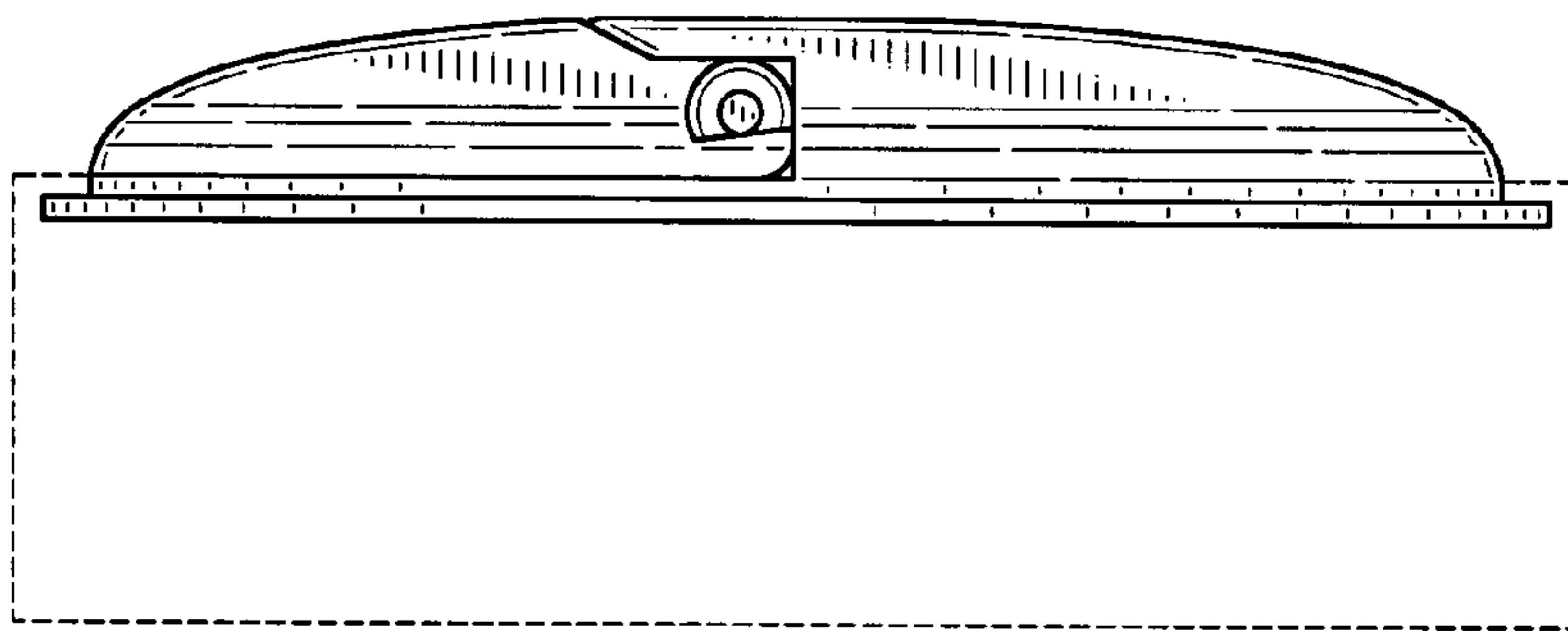


FIG-5

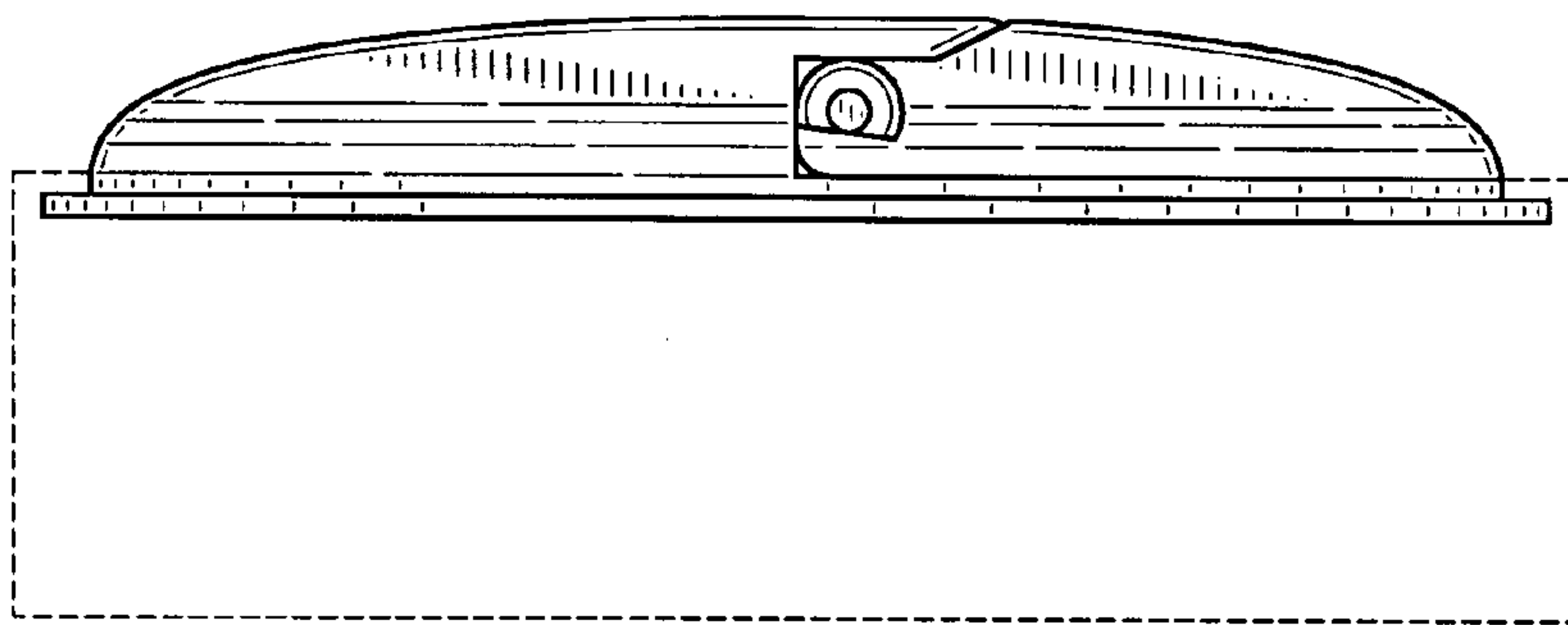


FIG-6



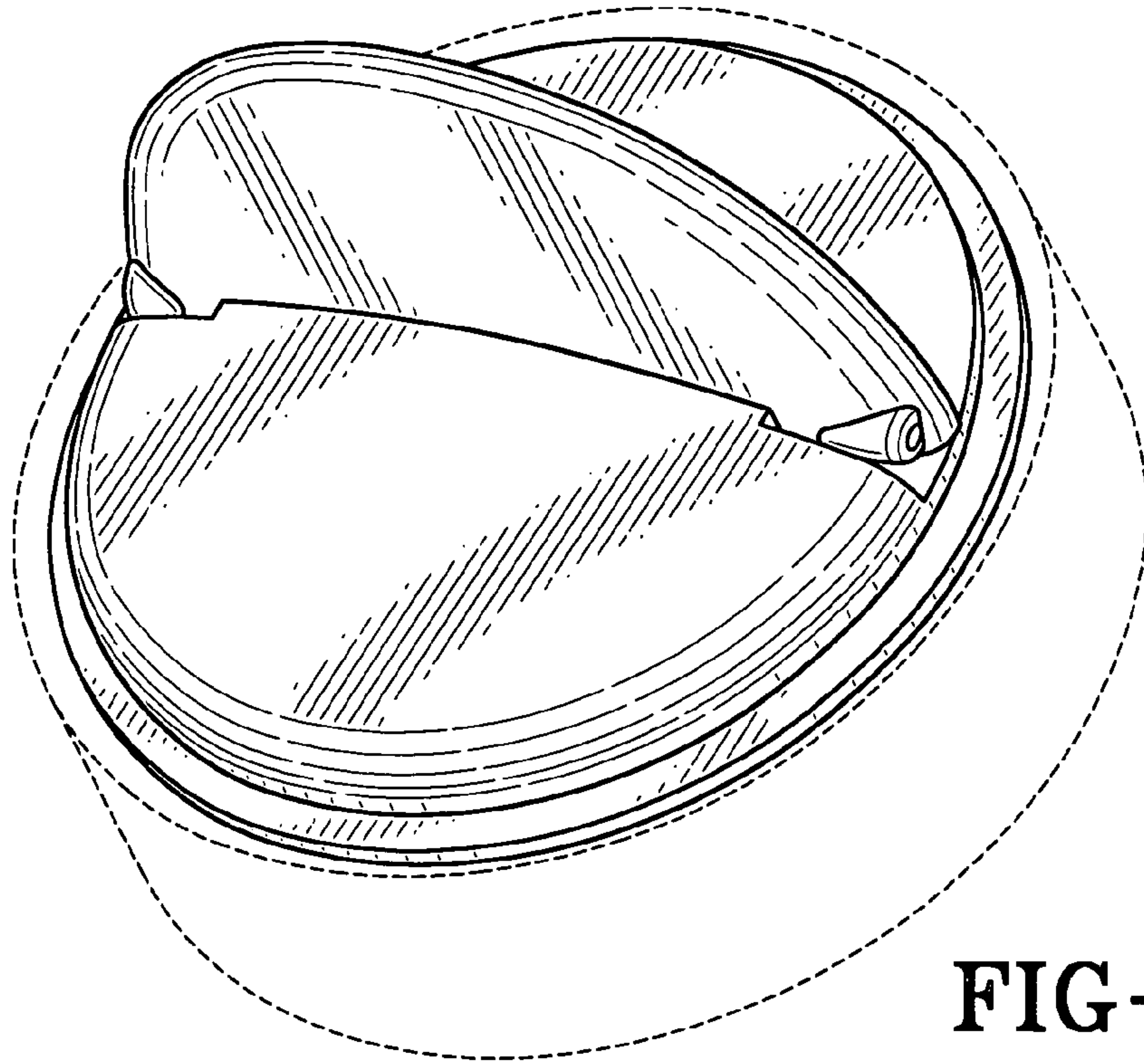


FIG-7

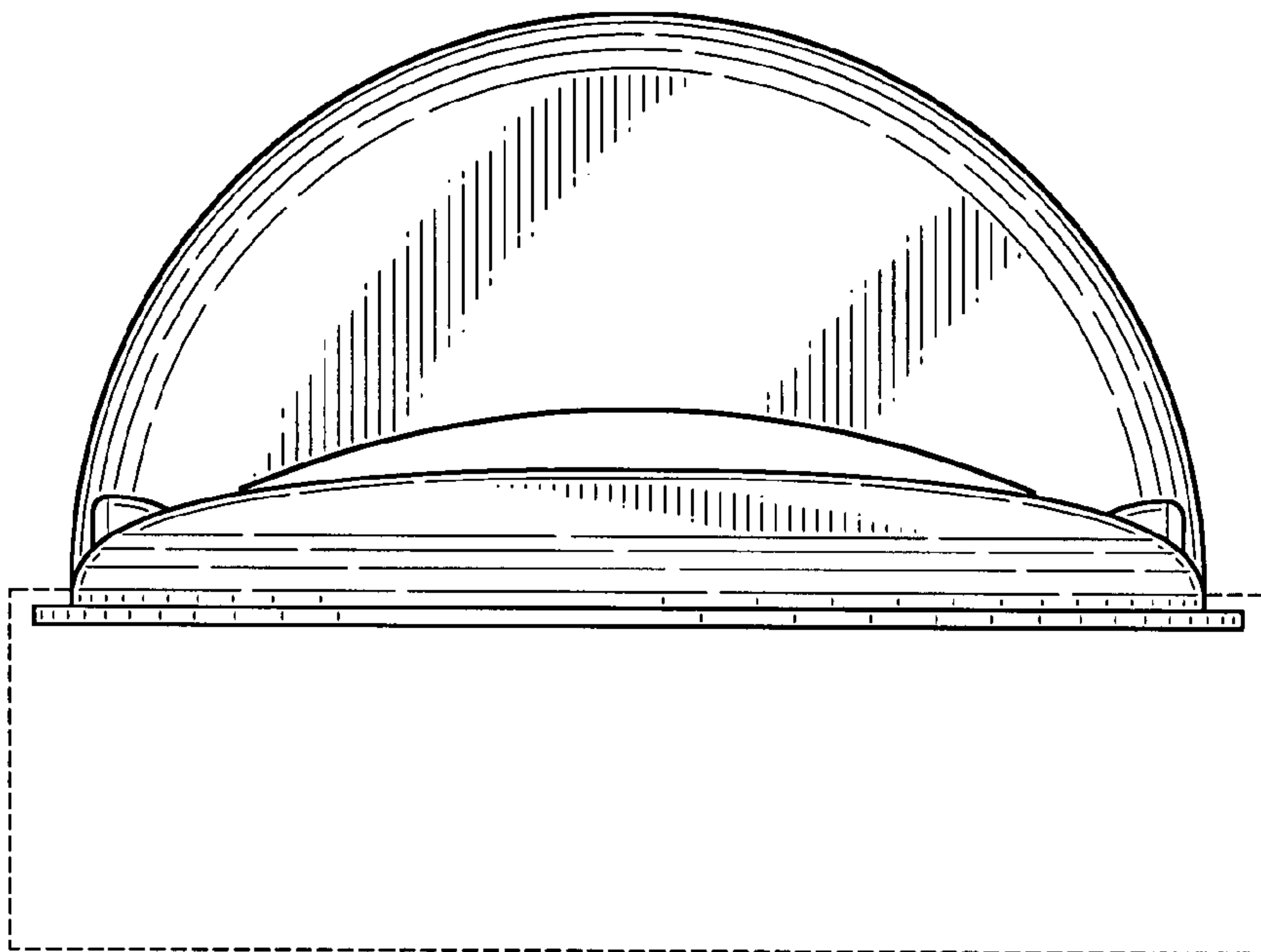


FIG-8

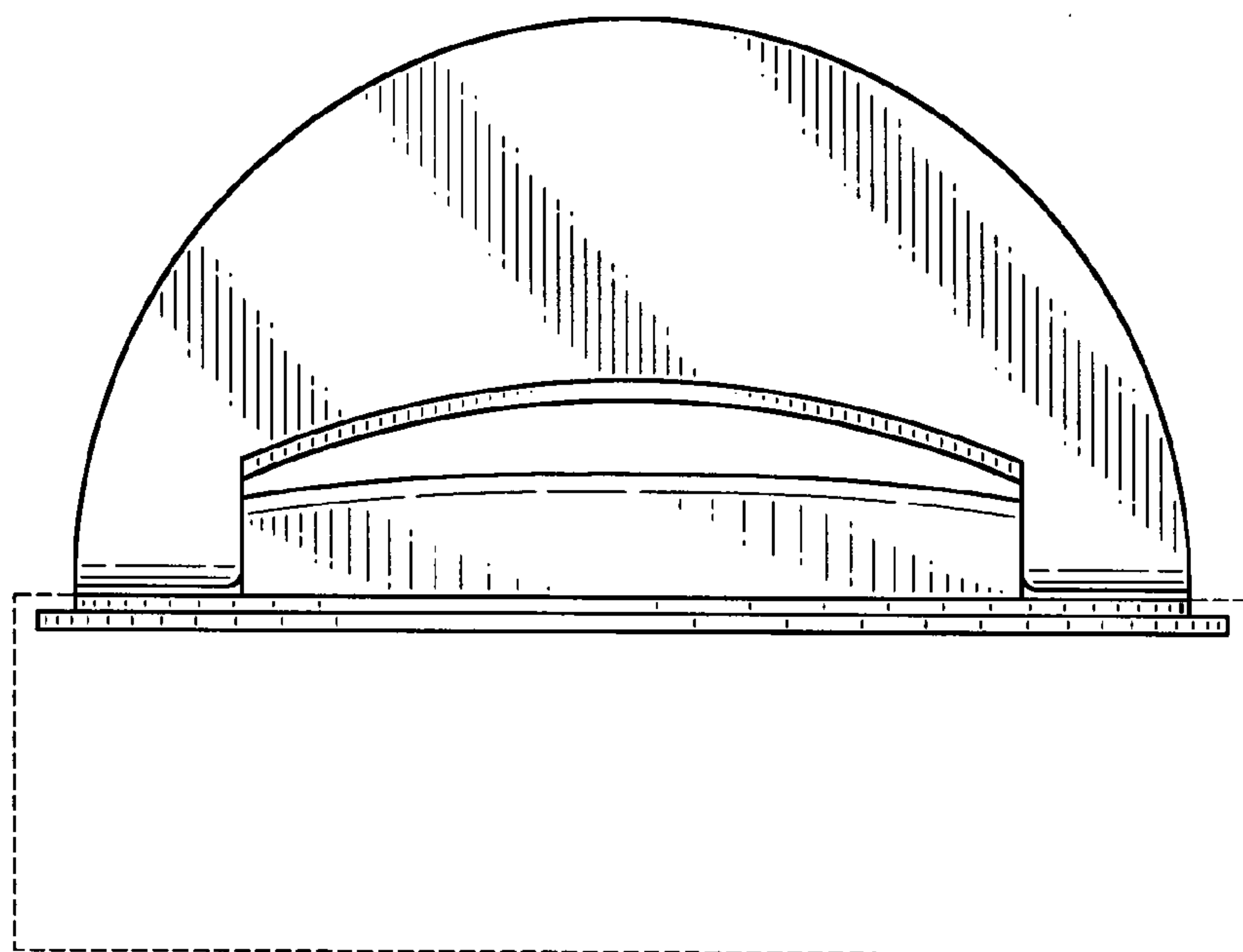


FIG-9

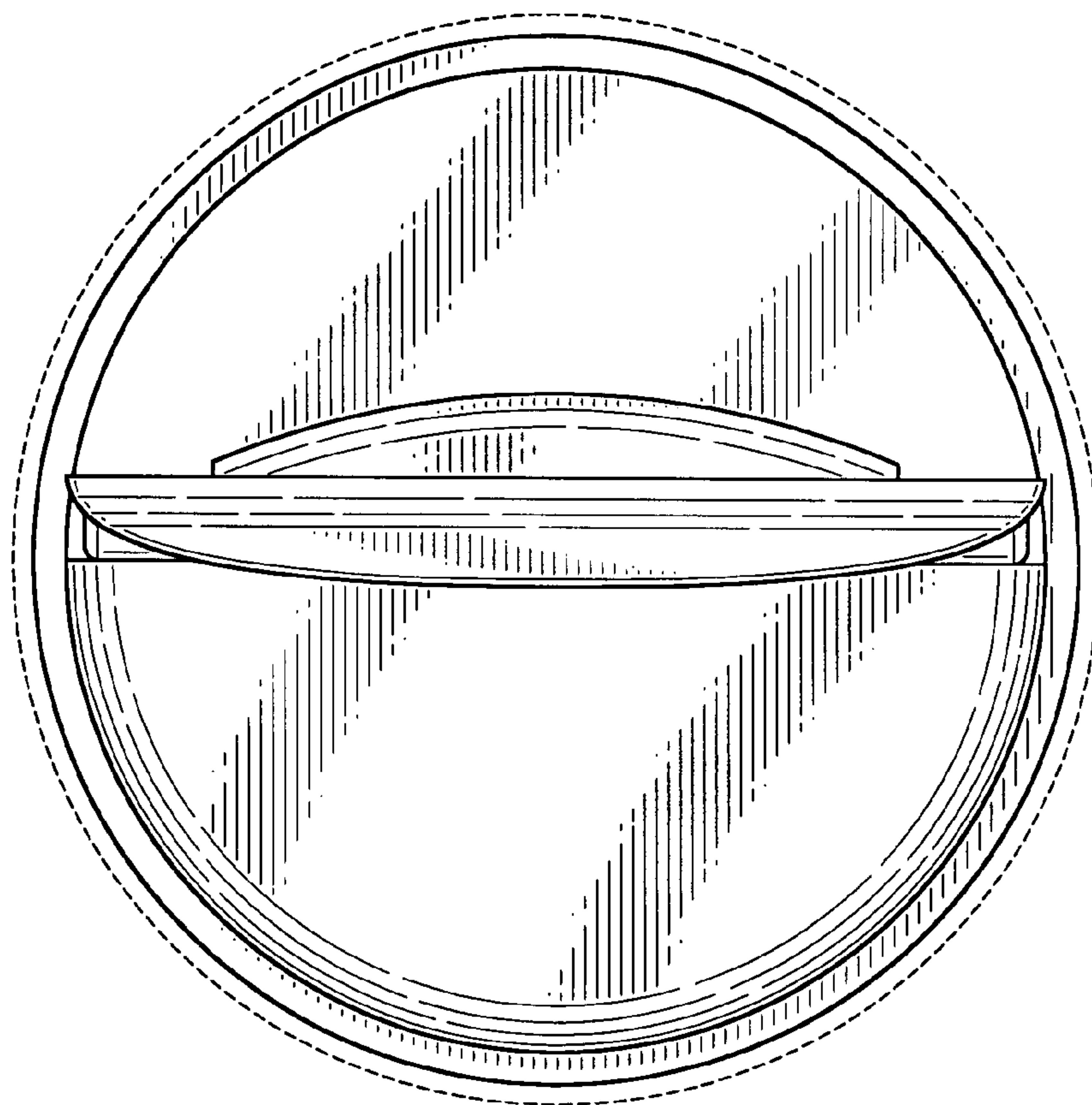


FIG-10

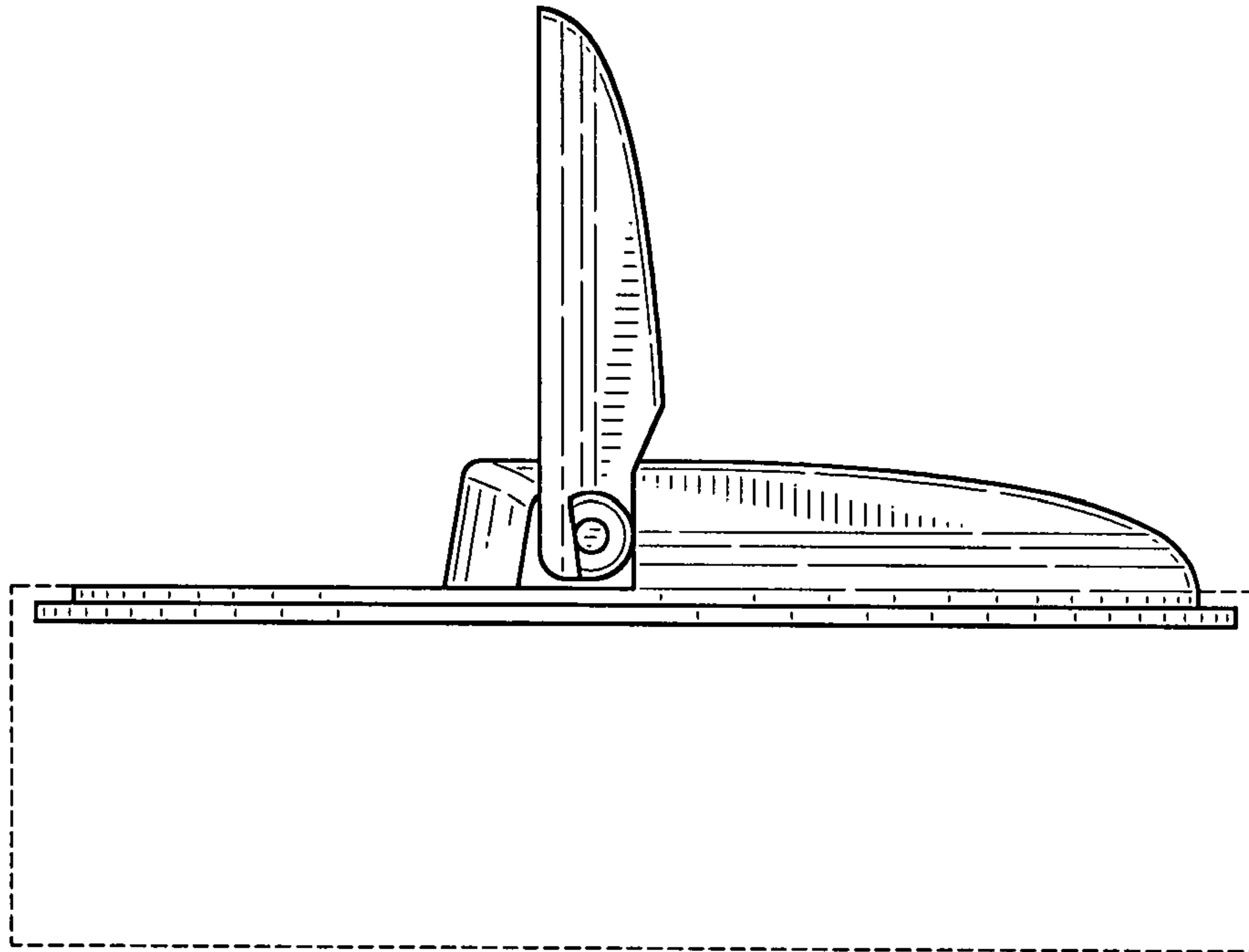


FIG-11

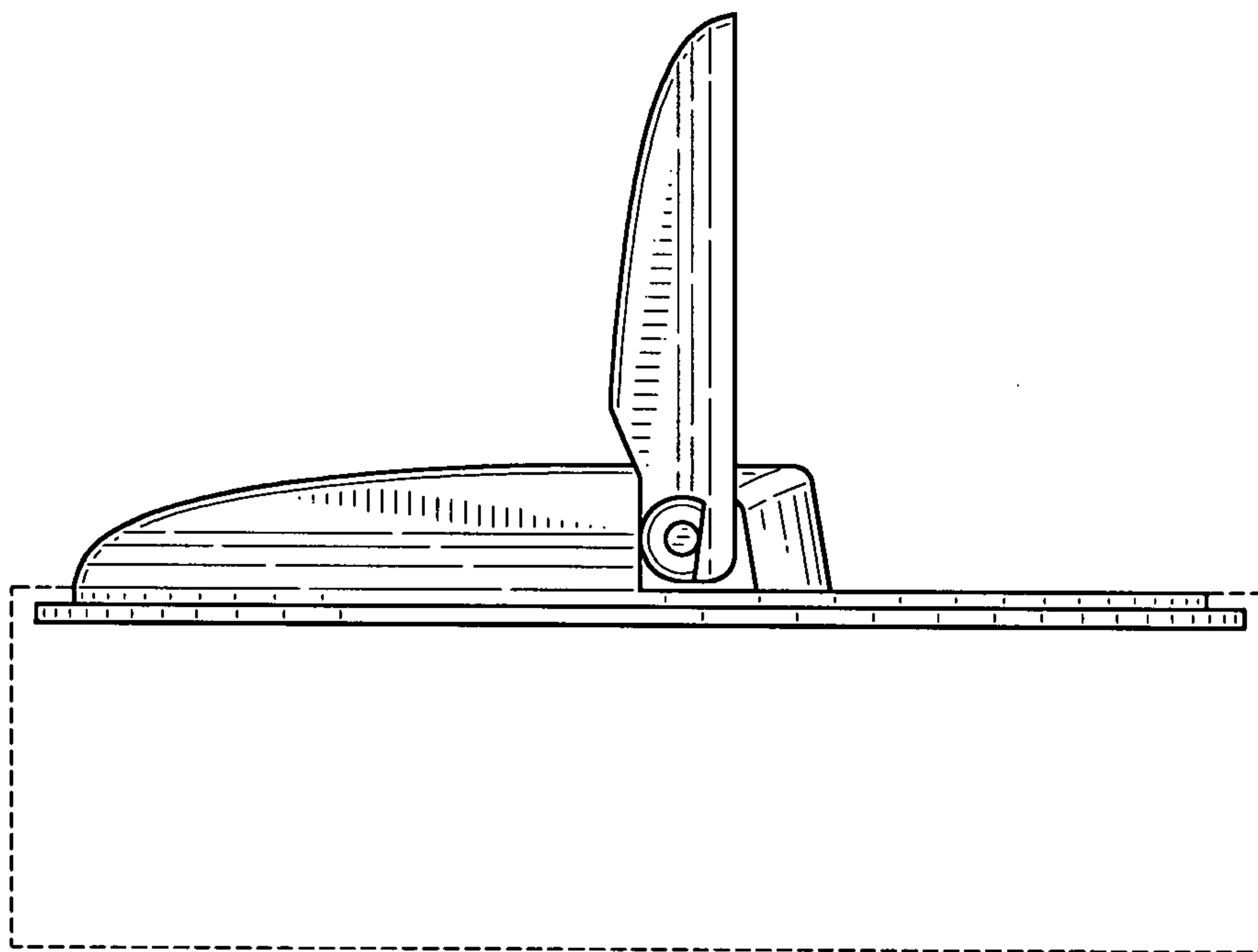


FIG-12