



US00D555018S

(12) **United States Design Patent**
Au Yeung

(10) **Patent No.:** **US D555,018 S**

(45) **Date of Patent:** **** Nov. 13, 2007**

(54) **PEDOMETER**

(75) Inventor: **Kwok Keung Au Yeung**, New Territories (HK)

(73) Assignee: **Ariel Premium Supply, Inc.**, St. Louis, MO (US)

(**) Term: **14 Years**

(21) Appl. No.: **29/278,001**

(22) Filed: **Mar. 15, 2007**

(51) **LOC (8) Cl.** **10-04**

(52) **U.S. Cl.** **D10/70**

(58) **Field of Classification Search** D10/70;
235/95 C, 105; 377/5, 24.2, 26; 702/155,
702/160, 176

See application file for complete search history.

(56) **References Cited**

U.S. PATENT DOCUMENTS

D528,024 S * 9/2006 Bhavnani D10/70

* cited by examiner

Primary Examiner—Antoine D. Davis

(74) *Attorney, Agent, or Firm*—Intellectual Property Law Group LLP; Otto O. Lee; Juneko Jackson

(57) **CLAIM**

The ornamental design for a pedometer, as shown and described.

DESCRIPTION

FIG. 1 is a perspective view of a pedometer embodying my new design;

FIG. 2 is a front elevational view thereof;

FIG. 3 is a rear elevational view thereof;

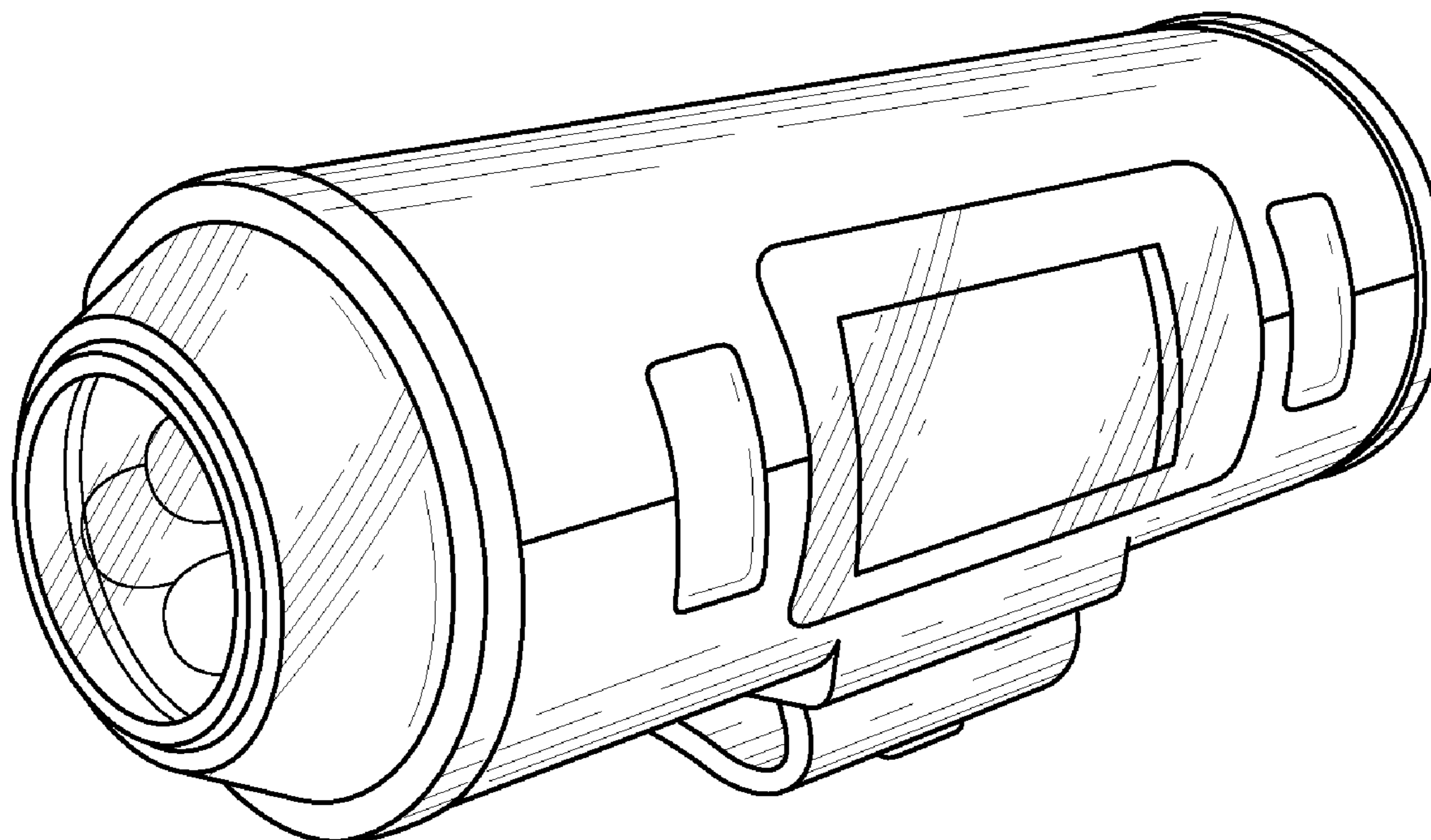
FIG. 4 is a left side elevational view thereof;

FIG. 5 is a right side elevational view thereof;

FIG. 6 is a bottom plan view thereof; and,

FIG. 7 is a top plan view thereof.

1 Claim, 3 Drawing Sheets



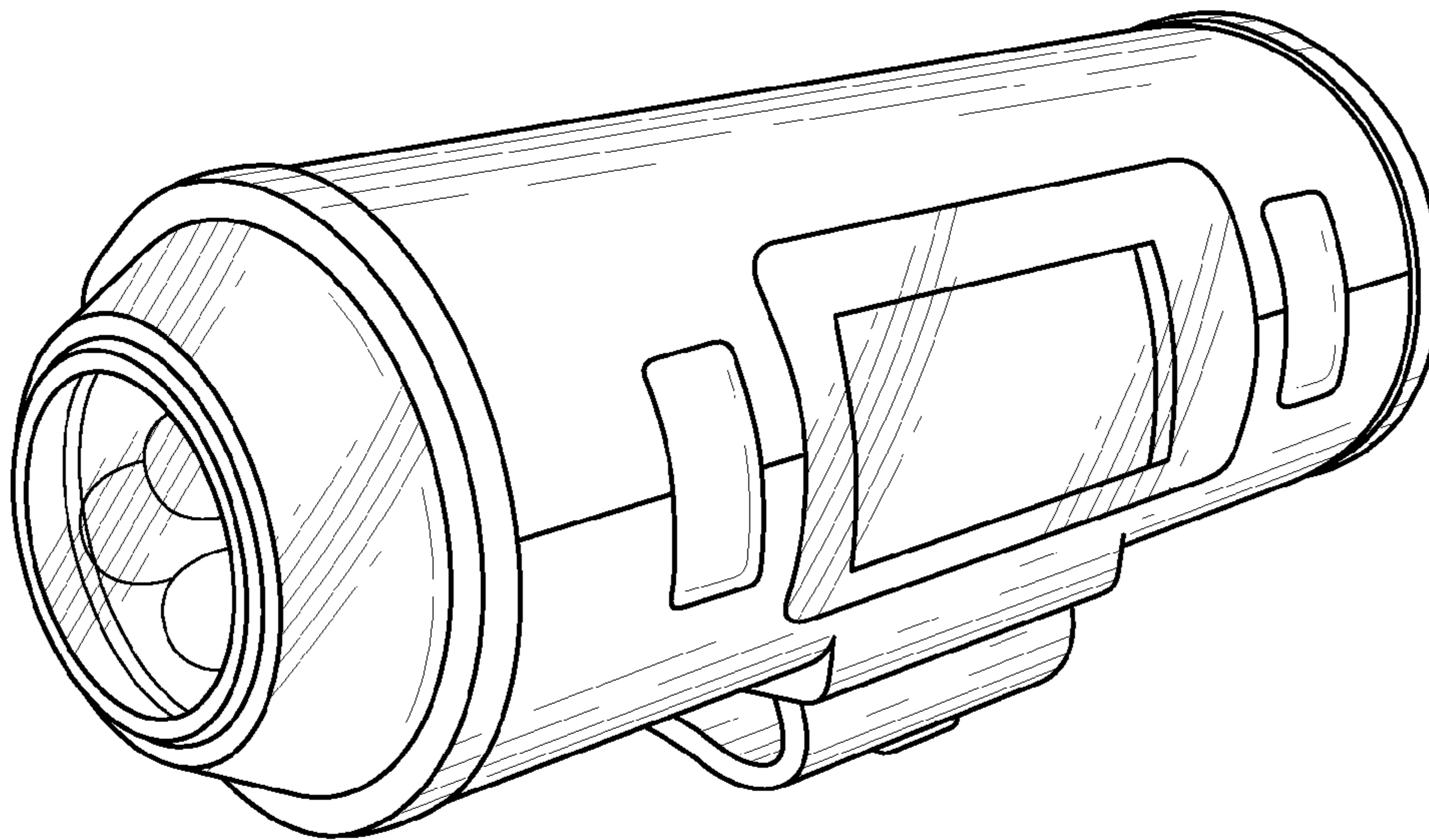


FIG. 1

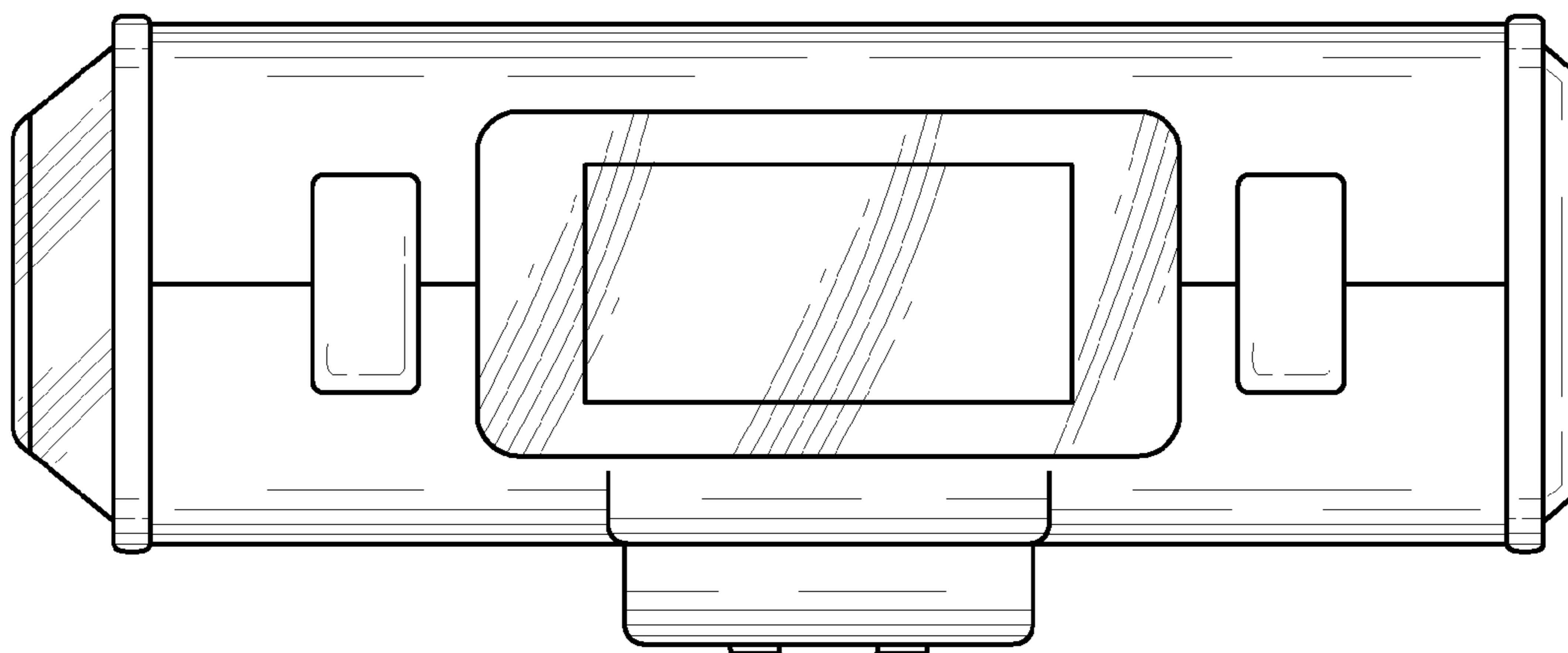


FIG. 2

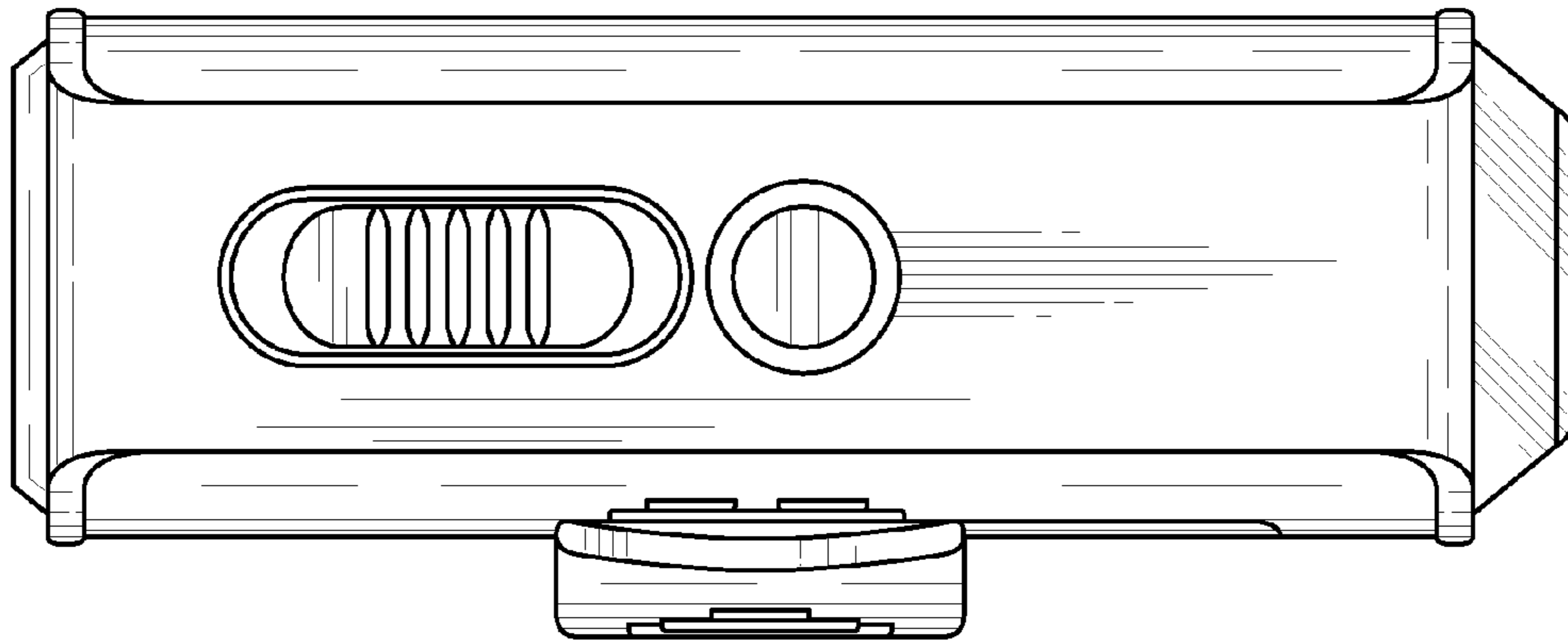


FIG. 3

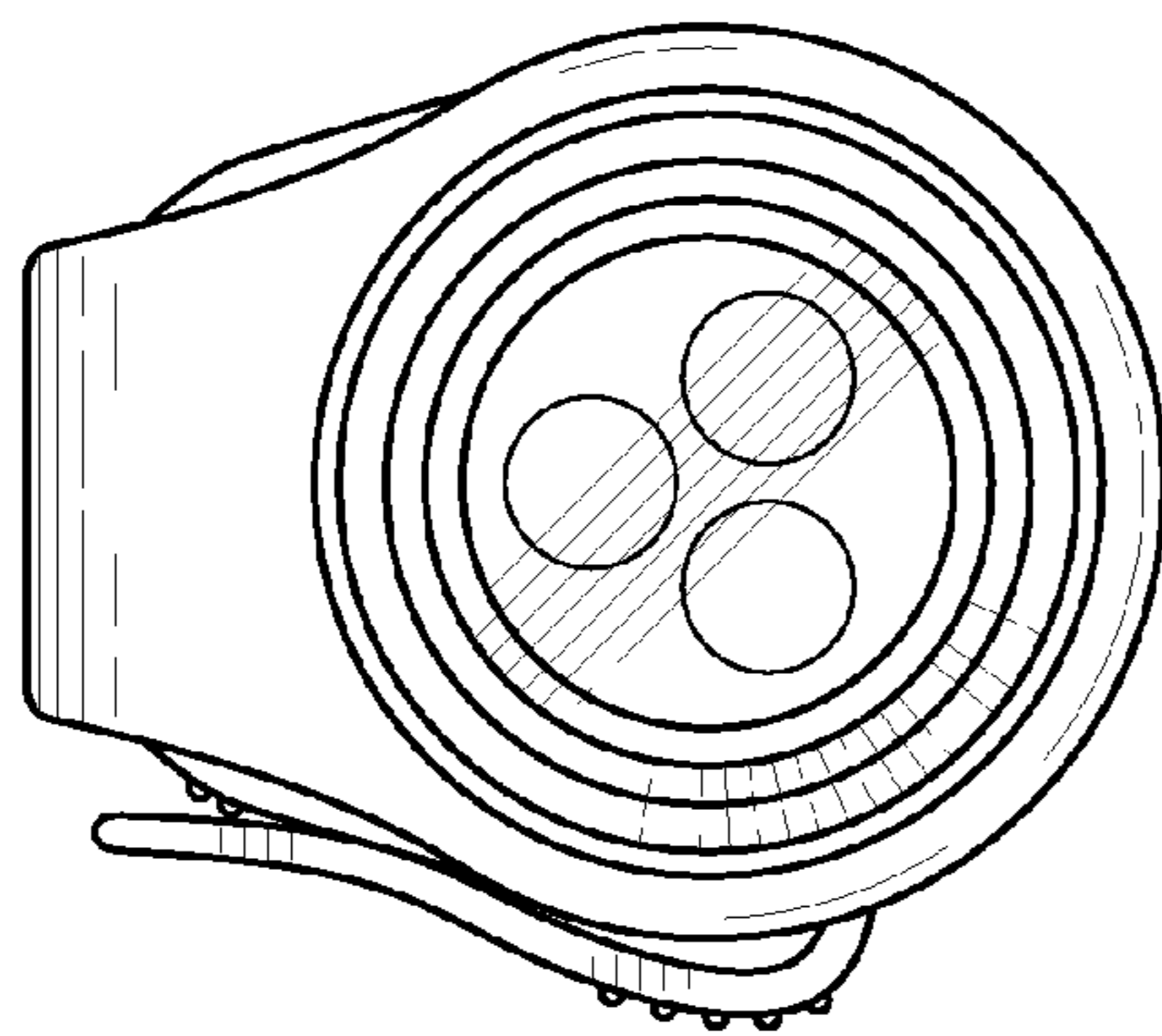


FIG. 4

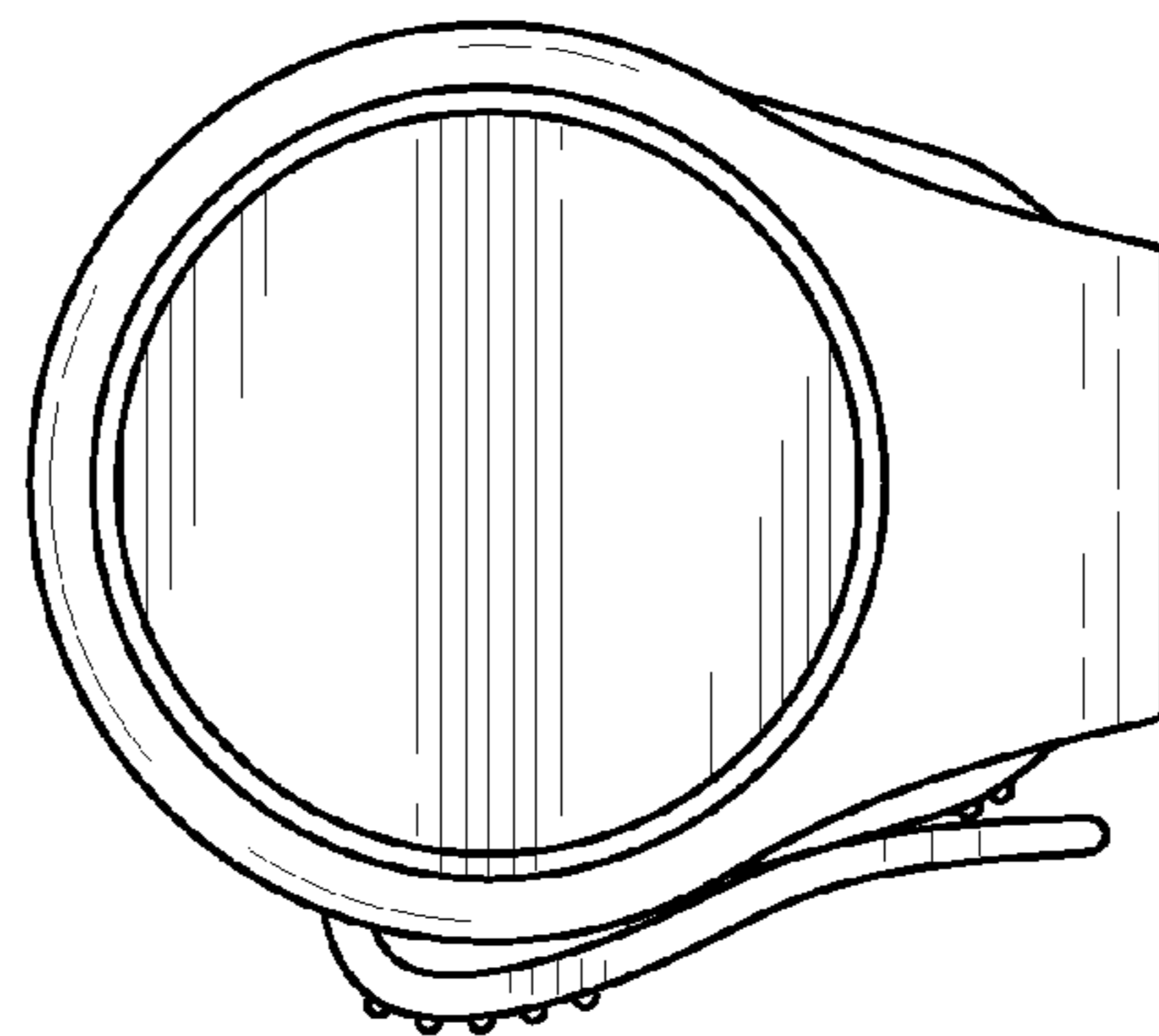


FIG. 5

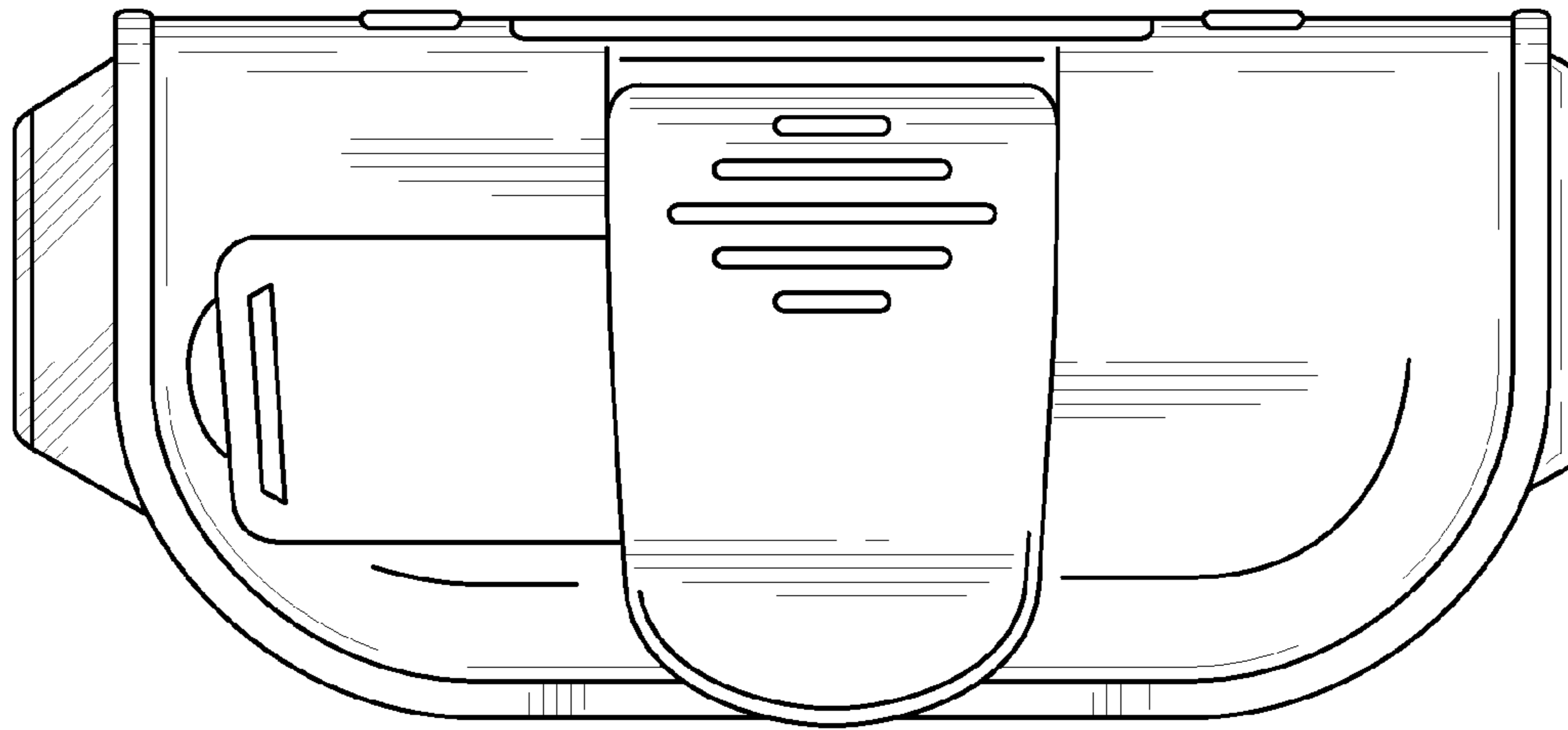


FIG. 6

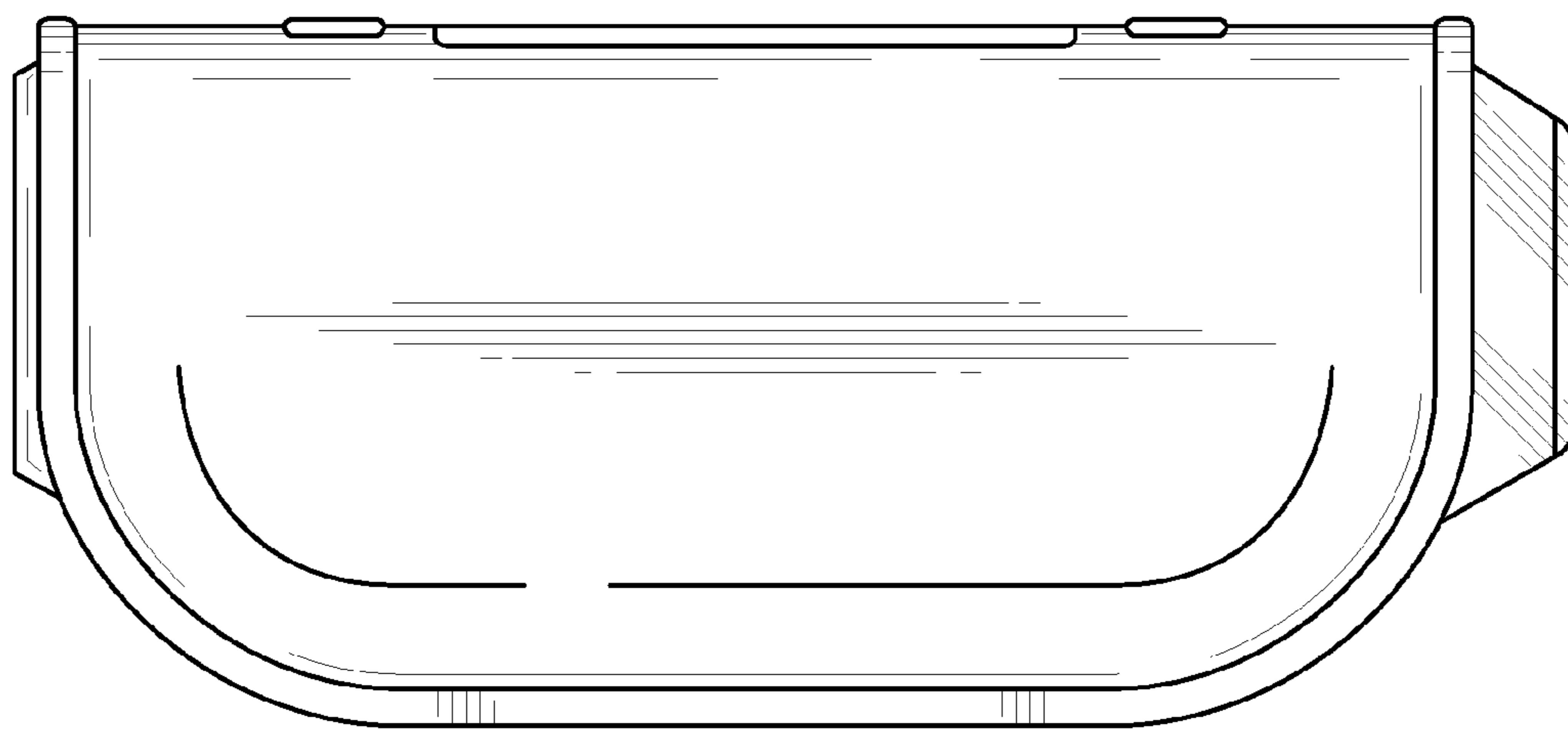


FIG. 7