



US00D555017S

(12) **United States Design Patent**  
**Steiner et al.**

(10) **Patent No.:** **US D555,017 S**

(45) **Date of Patent:** **\*\* Nov. 13, 2007**

(54) **KIT OF COMBINATION LINE LASER AND  
STUD FINDER WITH RULER MOUNT AND  
WALL MOUNT**

(75) Inventors: **Paul Steiner**, D.N. Bikat Beit  
Ha'kerem (IL); **Gabriel Kohner**, Upper  
Galilee (IL); **Amy Levinson**, Upper  
Galilee (IL)

(73) Assignee: **Kapro Industries, Ltd.**, Hakarem (IL)

(\*\*) Term: **14 Years**

(21) Appl. No.: **29/245,482**

(22) Filed: **Dec. 27, 2005**

(30) **Foreign Application Priority Data**

Jun. 28, 2005 (IL) ..... 40909  
Nov. 3, 2005 (IL) ..... 41568

(51) **LOC (8) Cl.** ..... **10-04**

(52) **U.S. Cl.** ..... **D10/62; D10/65; D10/69**

(58) **Field of Classification Search** ..... D10/62,  
D10/65, 69; 33/286, 332, 354, 666; 324/326,  
324/67

See application file for complete search history.

(56) **References Cited**

**U.S. PATENT DOCUMENTS**

D498,151 S \* 11/2004 Cook ..... D10/62  
7,013,570 B2 \* 3/2006 Levine et al. .... 33/286  
7,027,480 B2 \* 4/2006 Marshall et al. .... 33/286

\* cited by examiner

*Primary Examiner*—Antoine D. Davis

(74) *Attorney, Agent, or Firm*—Harold Novick; The Nath  
Law Group

(57) **CLAIM**

The ornamental design for a kit of combination line laser and stud finder with ruler mount and wall mount, as shown and described.

**DESCRIPTION**

FIG. 1A and 1B are perspective views of the kit elements which in FIG. 1A are comprised of a ruler mount shown mounted on a ruler that is depicted in dashed lines, a combination line laser and stud finder mounted on the ruler mount; and in FIG. 1B is a wall mount shown in perspective view, and on which the combination line laser and stud finder can be mounted;

FIG. 2. Perspective view of the combination line laser and stud finder mounted on the wall mount;

FIG. 3. Top perspective view of the combination line laser and stud finder of FIG. 1 shown alone;

FIG. 4. Bottom perspective view of the combination line laser and stud finder shown alone;

FIG. 5. Top plan view of the combination line laser and stud finder shown alone;

FIG. 6. Front elevational view of the combination line laser and stud finder shown alone;

FIG. 7. Rear elevational view of the combination line laser and stud finder shown alone;

FIG. 8. Bottom plan view of the combination line laser and stud finder shown alone;

FIG. 9. Left side elevational view of the combination line laser and stud finder shown alone;

FIG. 10. Right side elevational view of the combination line laser and stud finder shown alone;

FIG. 11. Top perspective view of the wall mount shown alone;

FIG. 12. Bottom perspective view of the wall mount shown alone;

FIG. 13. Top plan view of the wall mount shown alone;

FIG. 14. Left side elevational view of the wall mount shown alone;

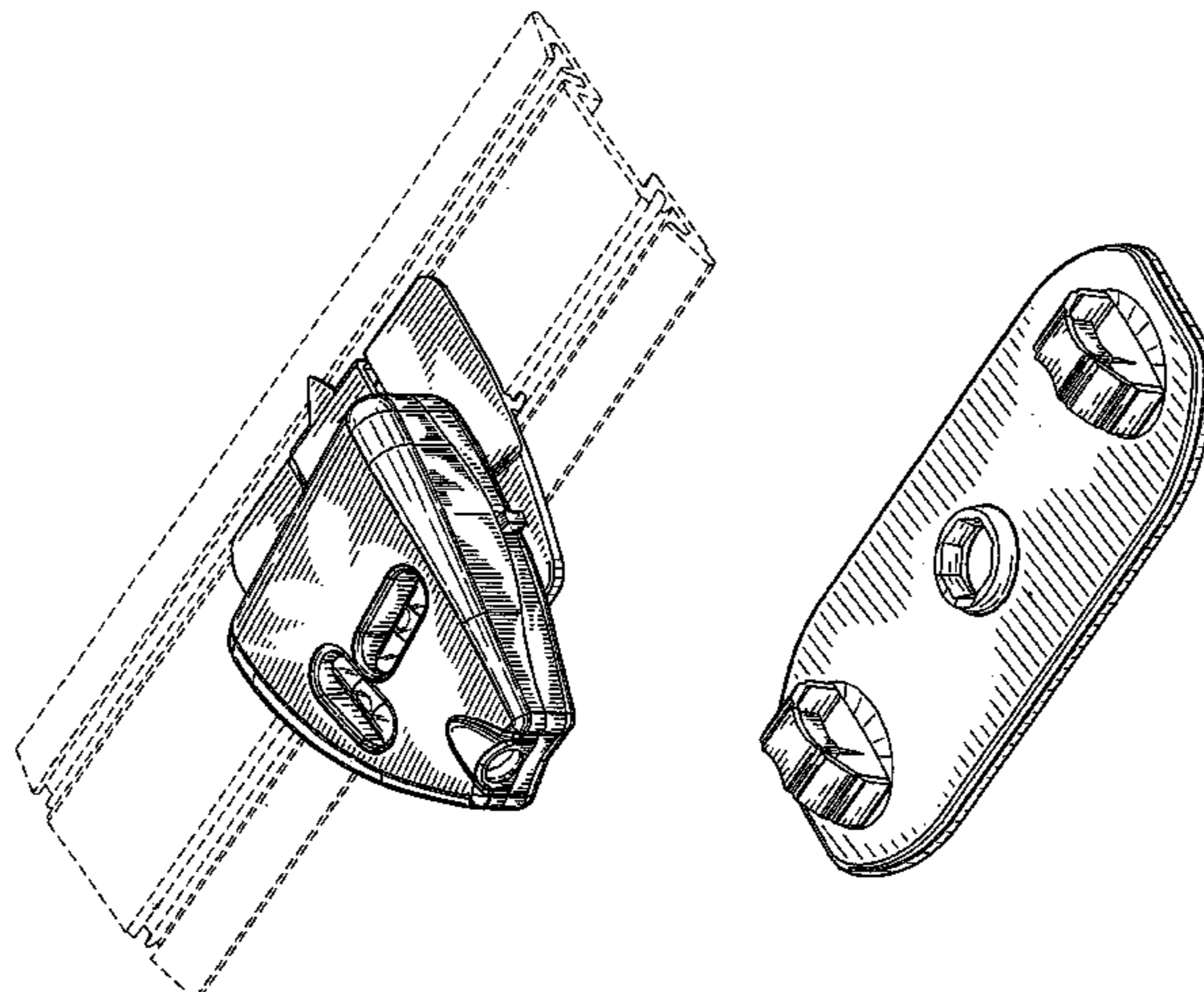


FIG. 15. Bottom plan view of the wall mount shown alone;

FIG. 16. Right side elevational view of the wall mount shown alone;

FIG. 17. Left side elevational view of the wall mount shown alone;

FIG. 18. Right side elevational view of the wall mount shown alone;

FIG. 19. Top perspective view of the ruler mount shown alone;

FIG. 20. Bottom perspective view of the ruler mount shown alone;

FIG. 21. Top plan view of the ruler mount shown alone;

FIG. 22. Front elevational view of the ruler mount shown alone;

FIG. 23. Bottom plan view of the ruler mount shown alone;

FIG. 24. Rear elevational view of the ruler mount shown alone;

FIG. 25. Right side elevational view of the ruler mount shown alone; and,

FIG. 26. Left side elevational view of the ruler mount shown alone.

FIG. 1 depicts a kit of three parts, a combination line laser and stud finder, a ruler mount for the combination line laser and stud finder that can be mounted on a ruler, depicted in broken lines in FIG. 1, and a wall mount for the combination line laser and stud finder that can be attached to a wall. The ruler on which the ruler mount can be mounted, shown in broken lines in FIG. 1, is not part of the claimed design, but is present to show the environment.

**1 Claim, 14 Drawing Sheets**

FIG.1B

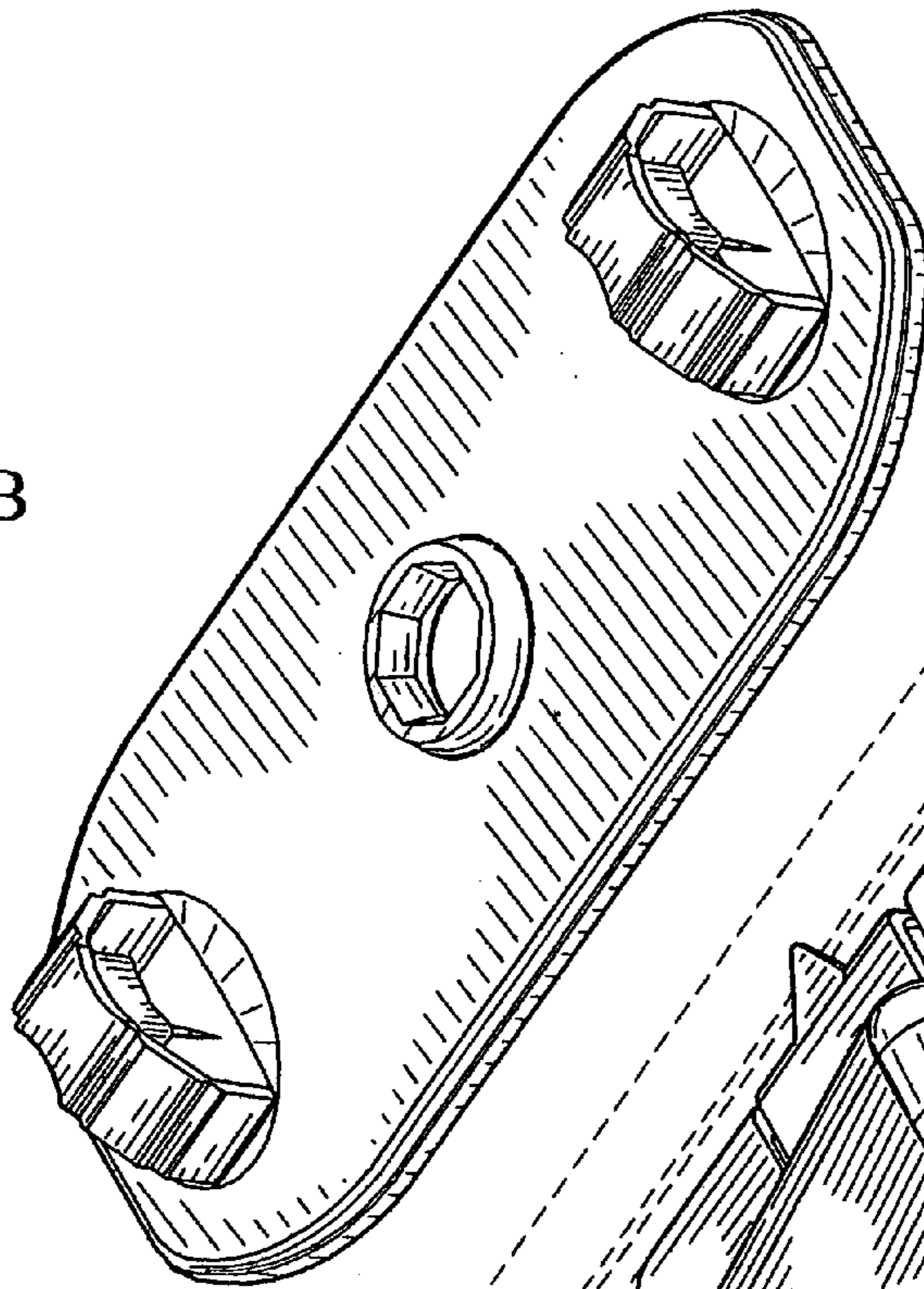
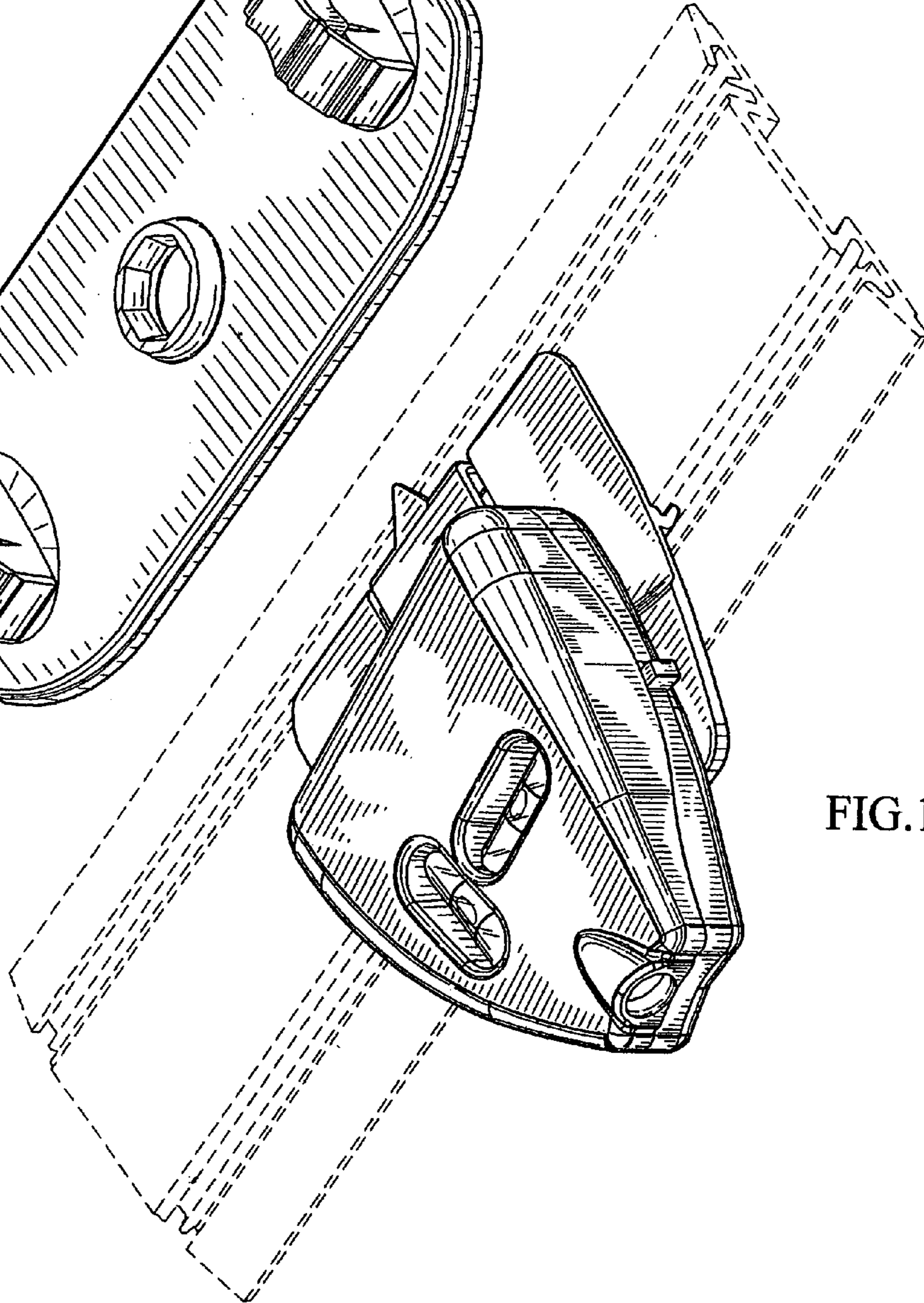


FIG.1A



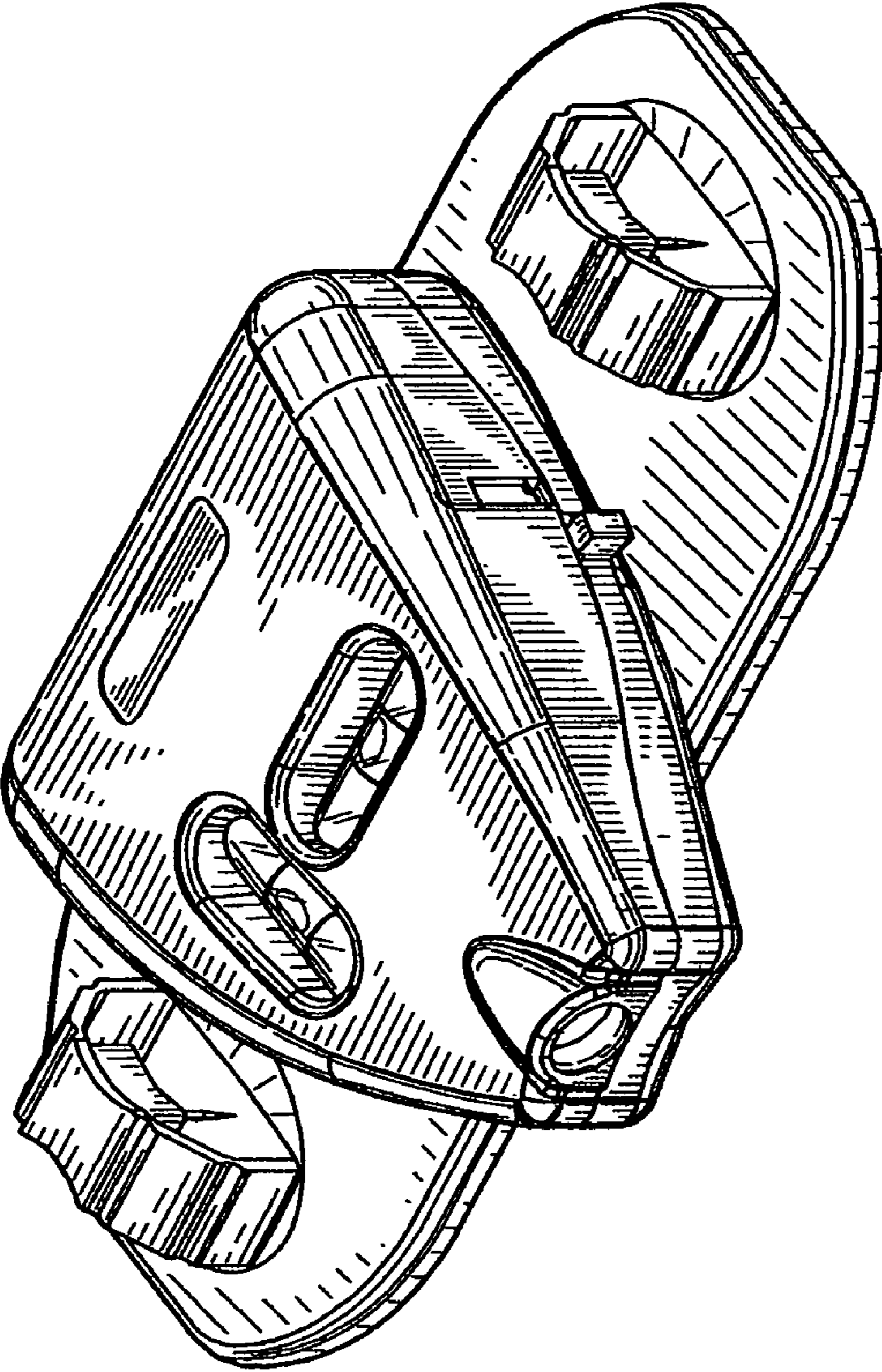


FIG.2

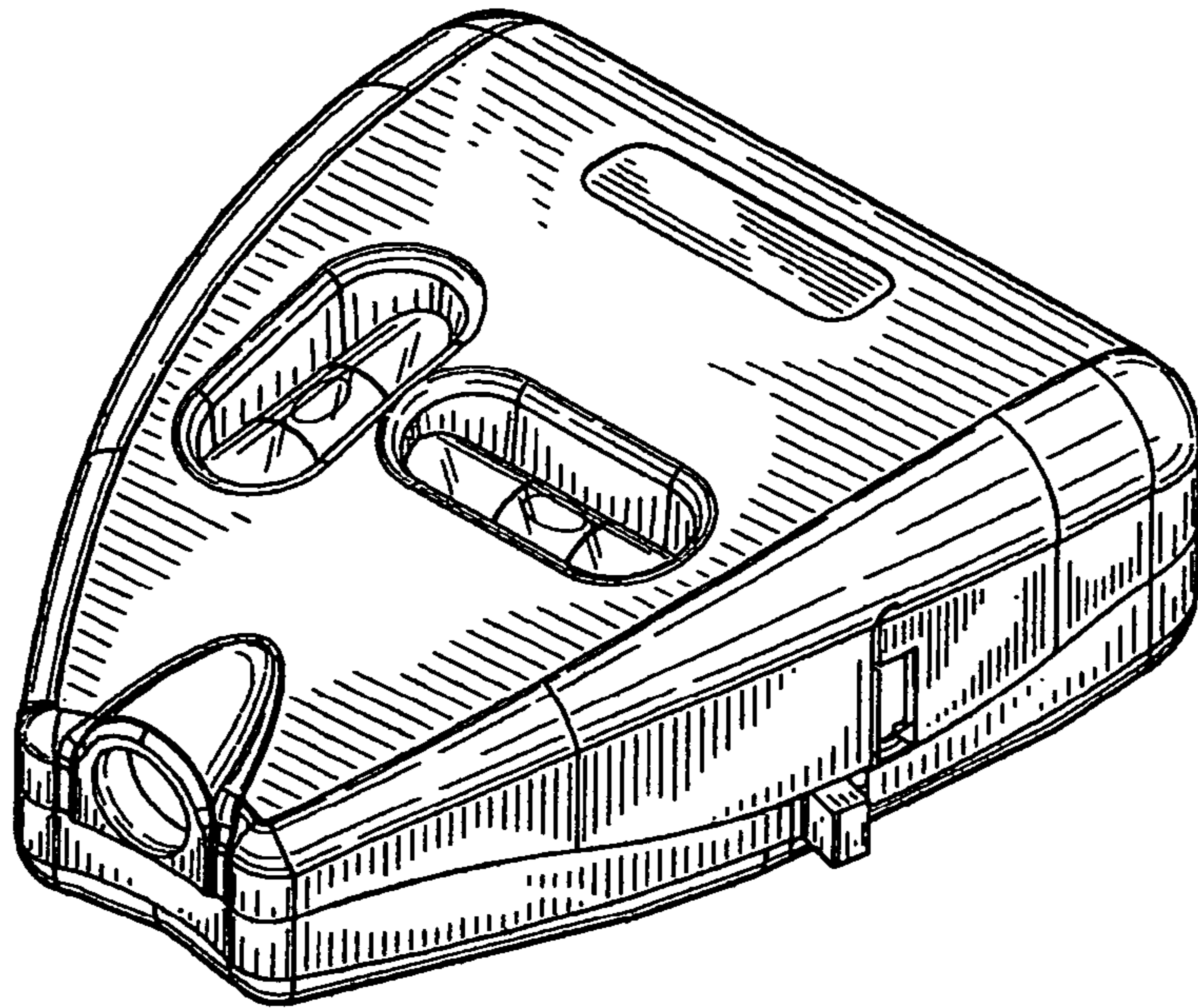


FIG. 3

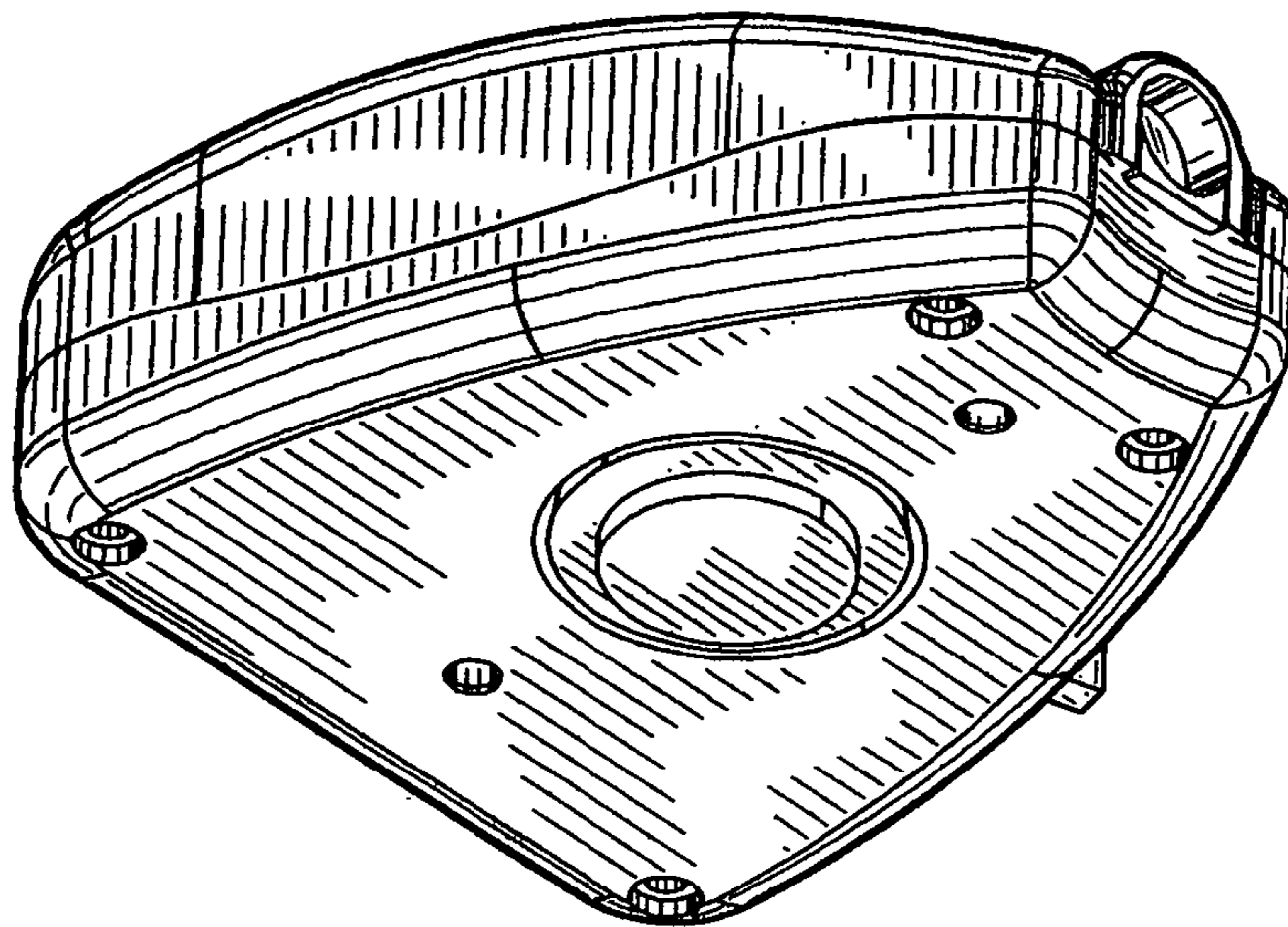


FIG. 4

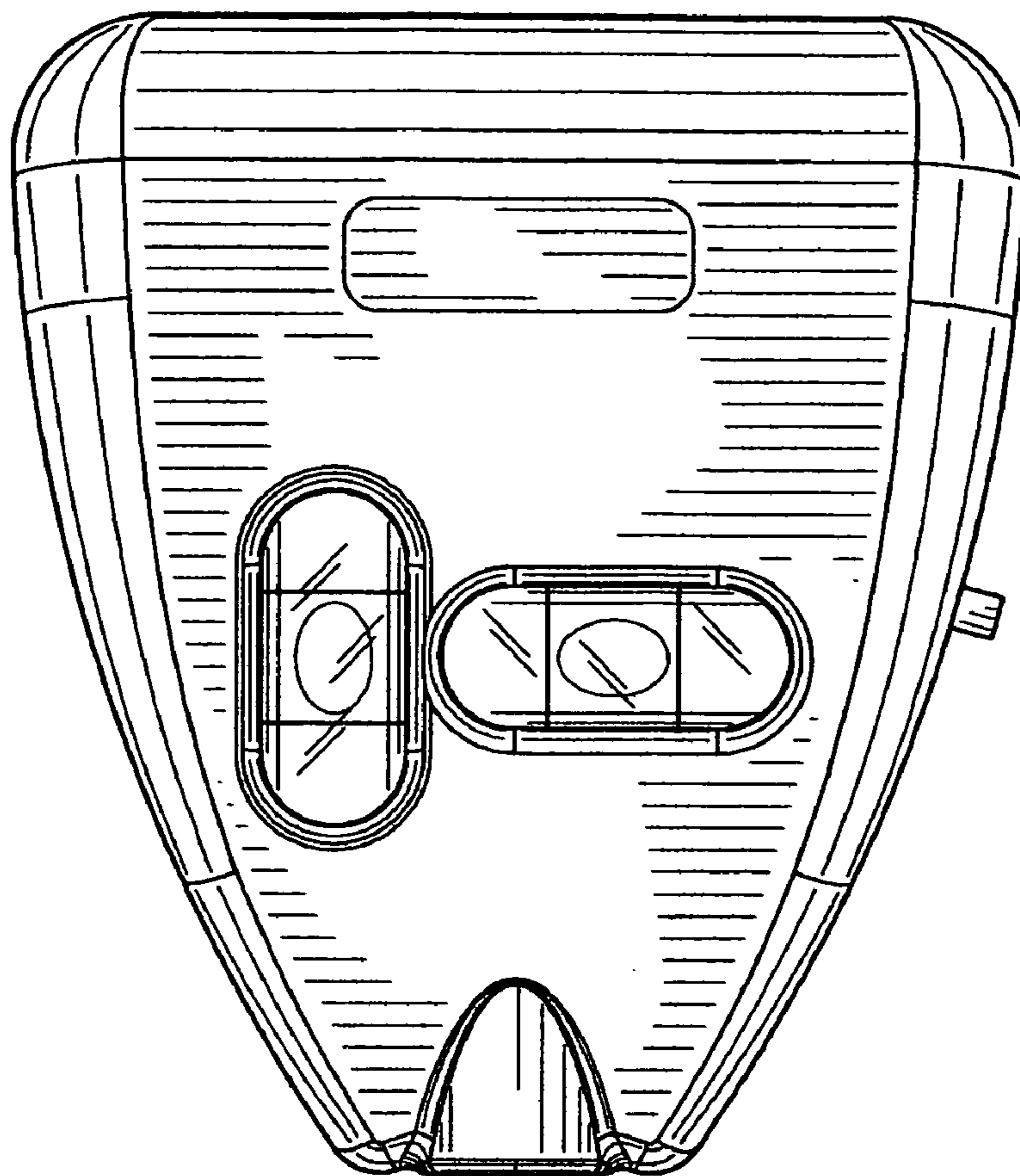


FIG. 5

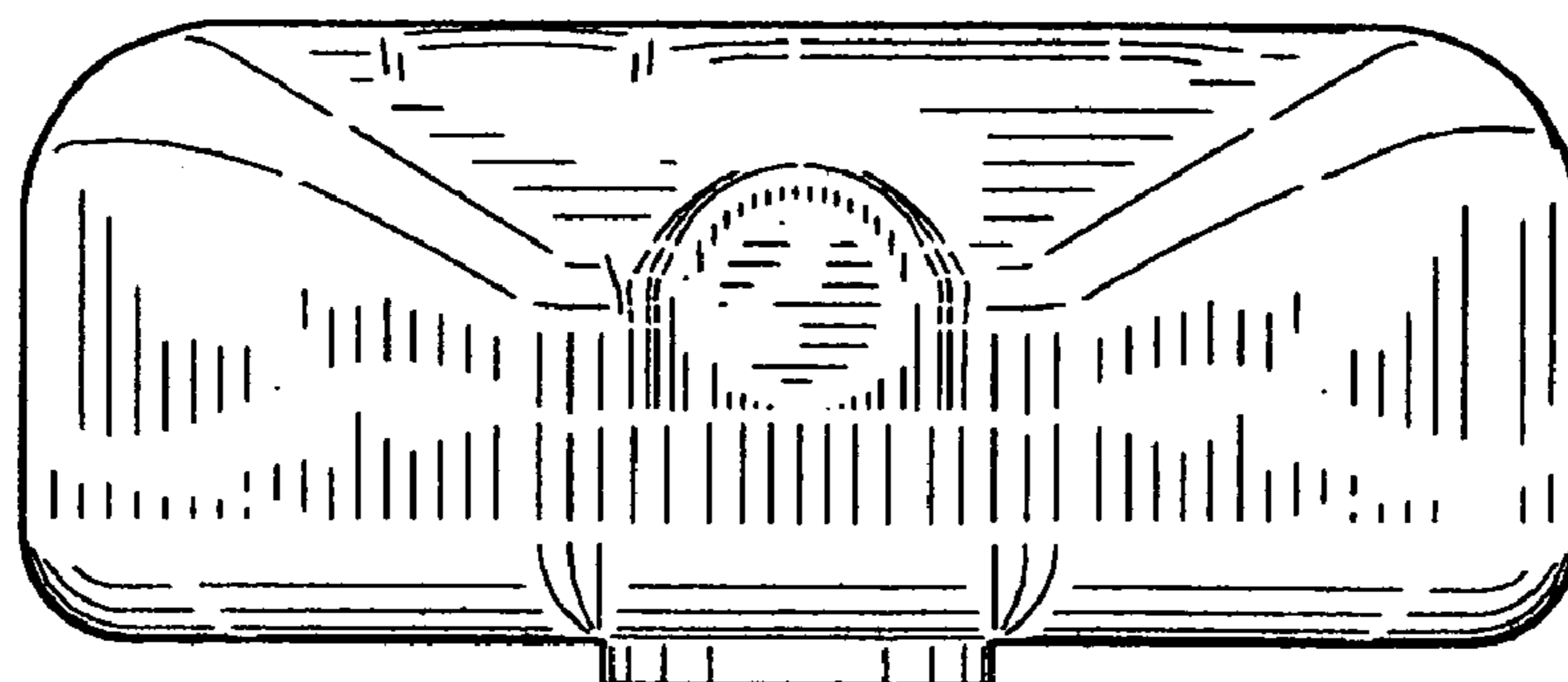


FIG. 6

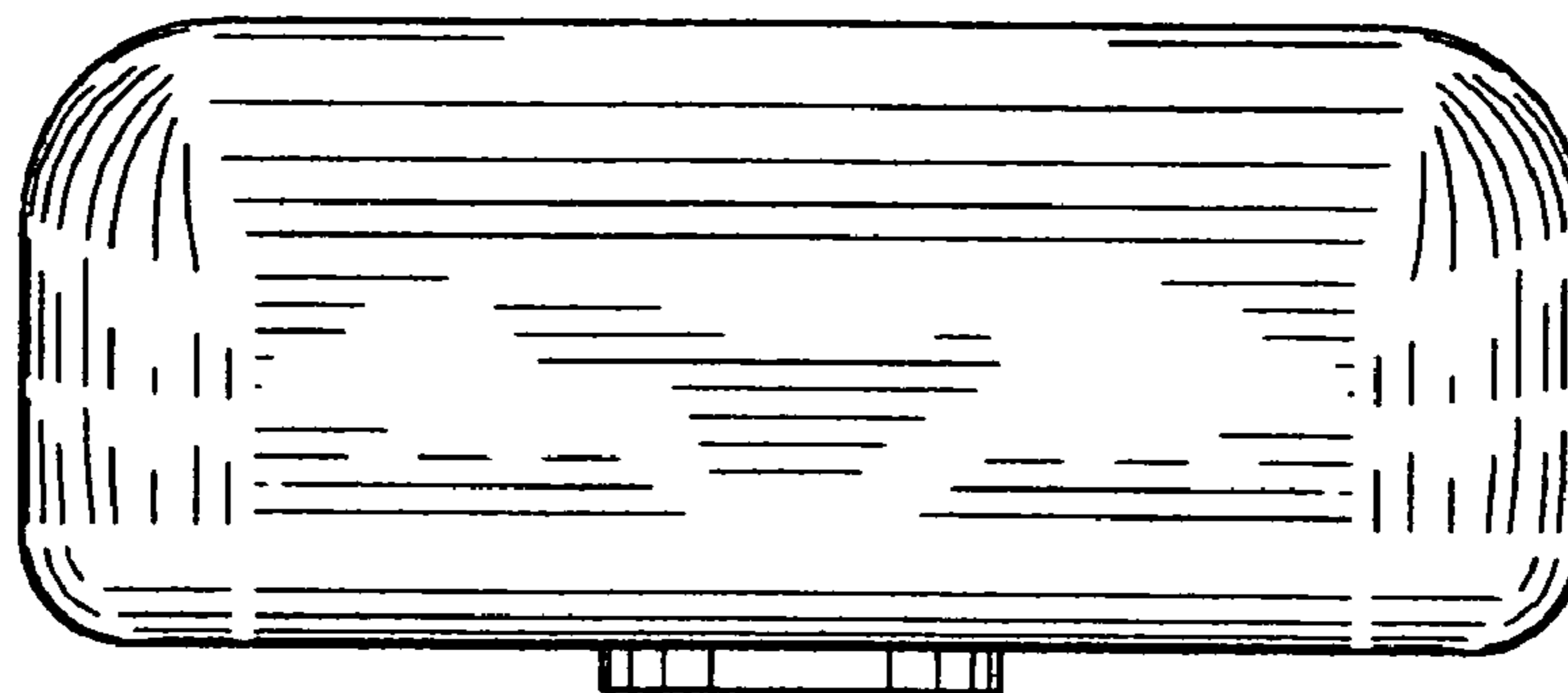


FIG. 7

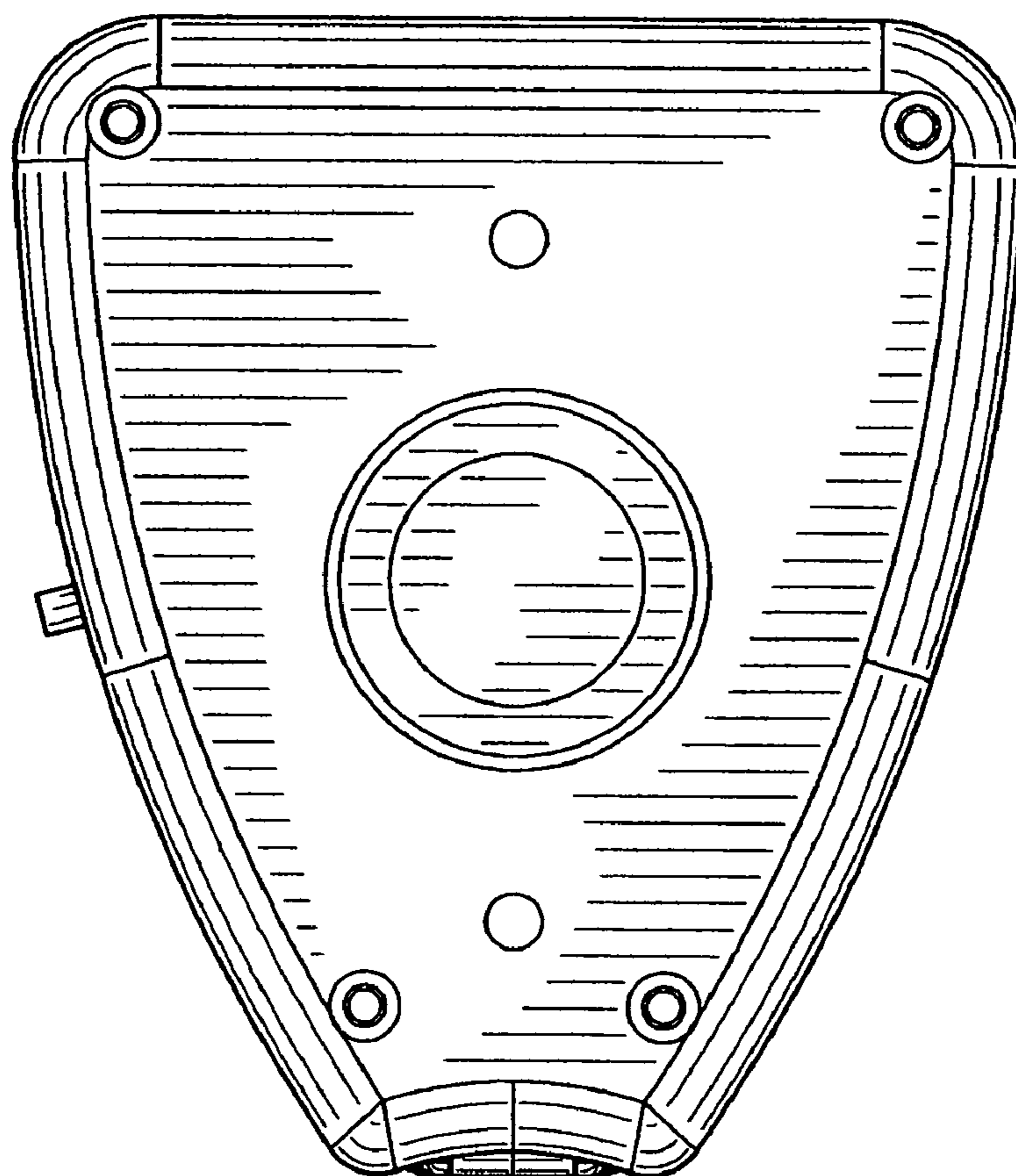


FIG. 8

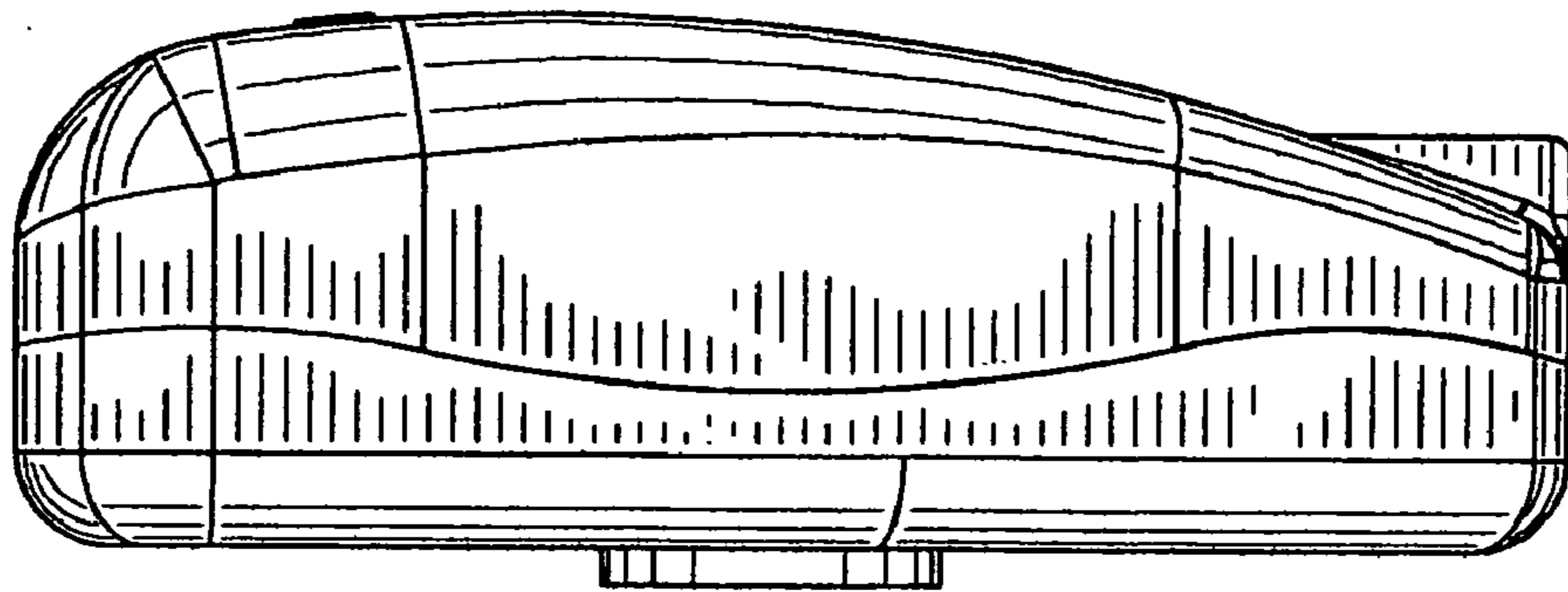


FIG. 9

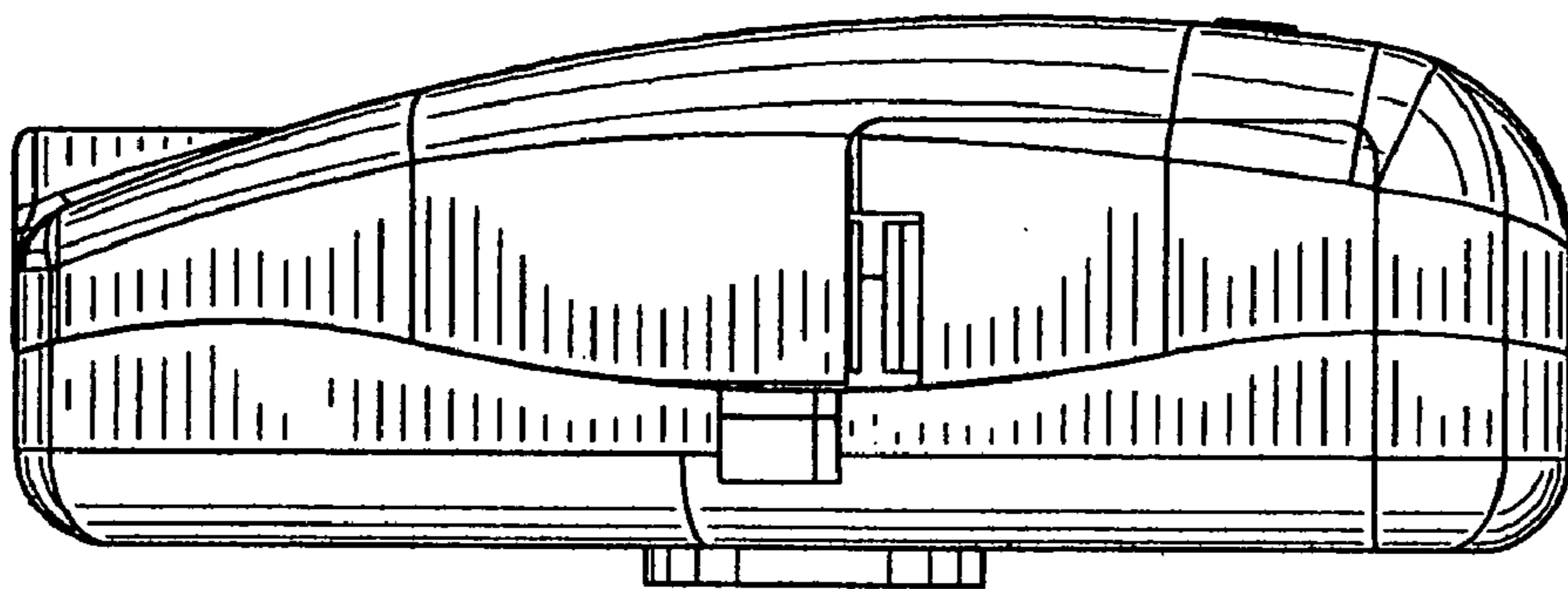


FIG. 10



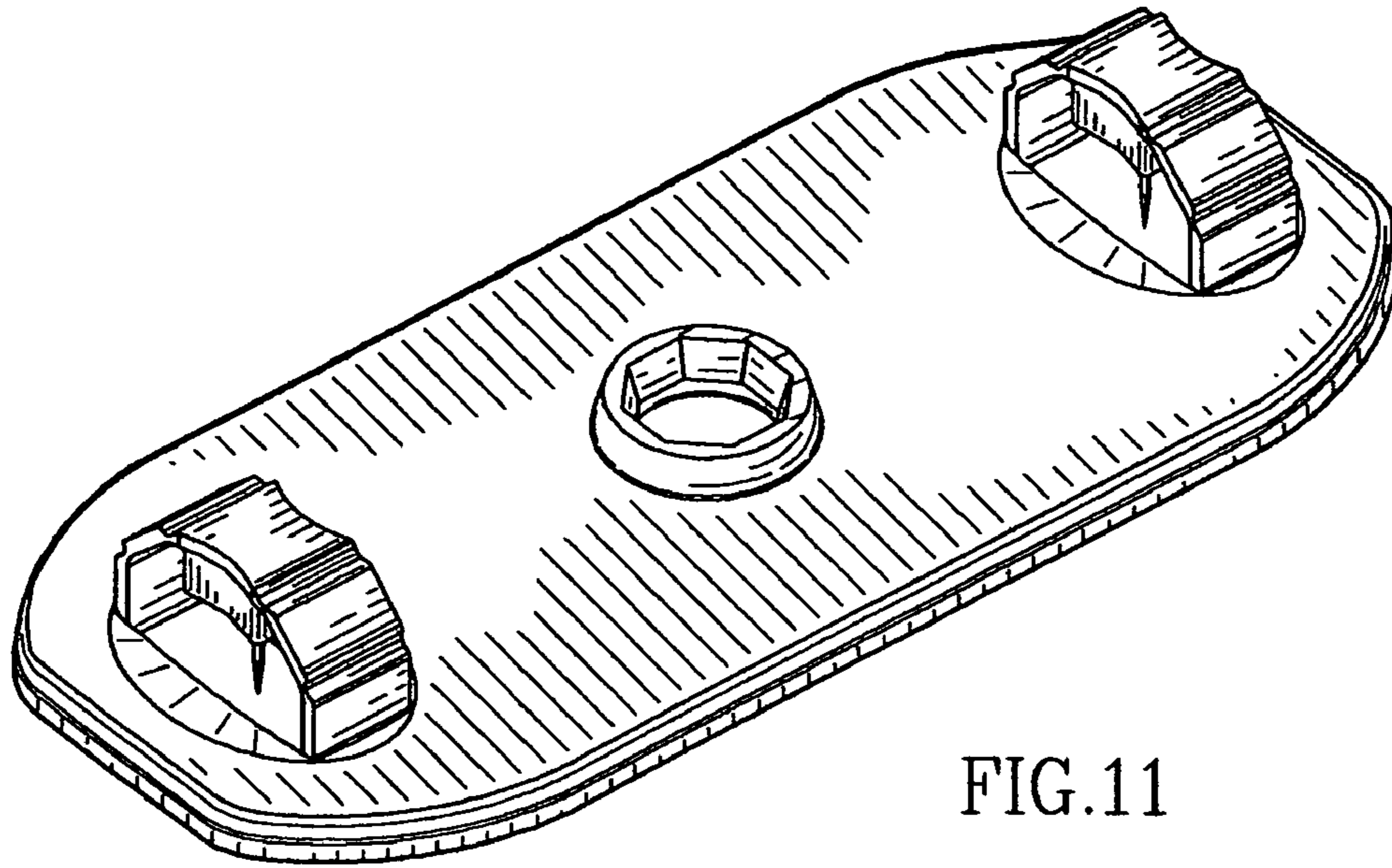


FIG. 11

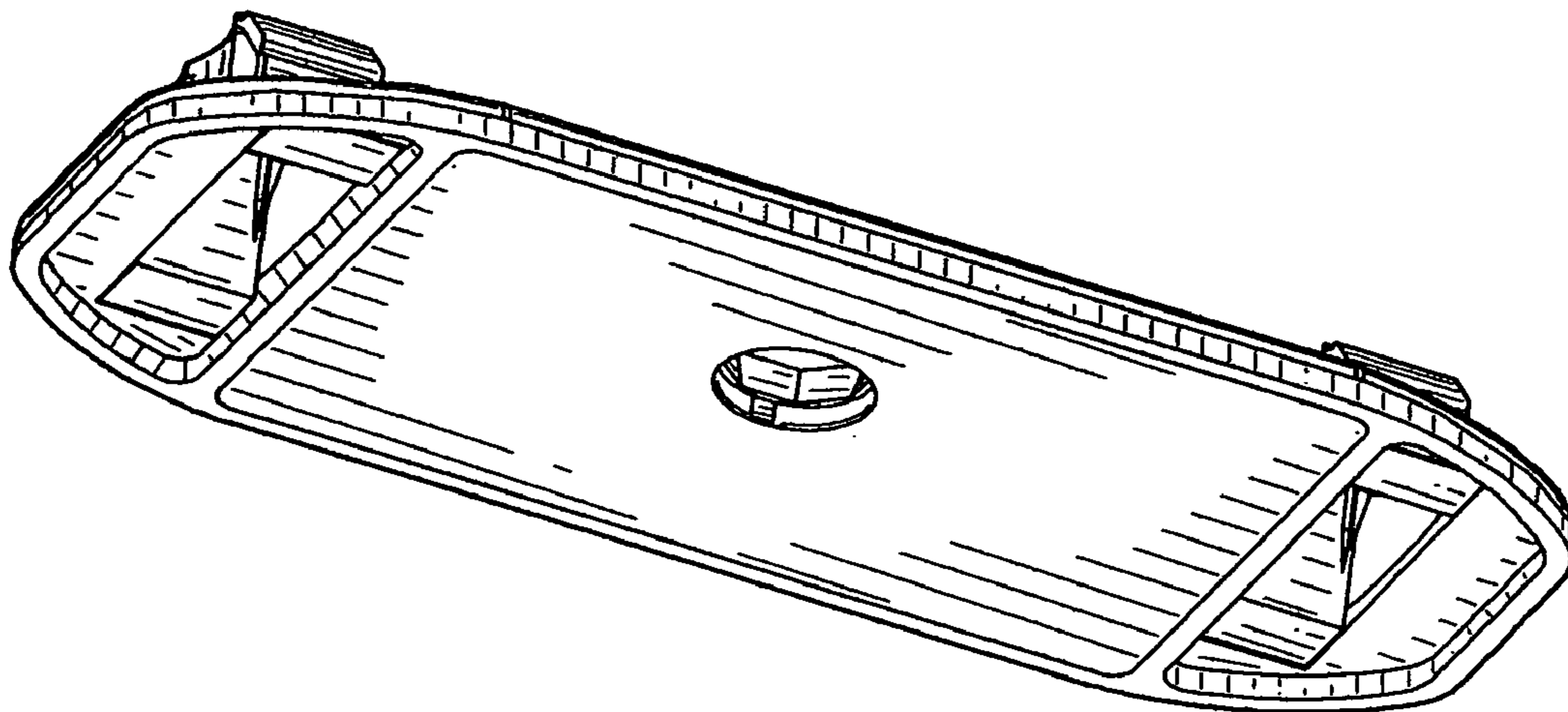


FIG. 12

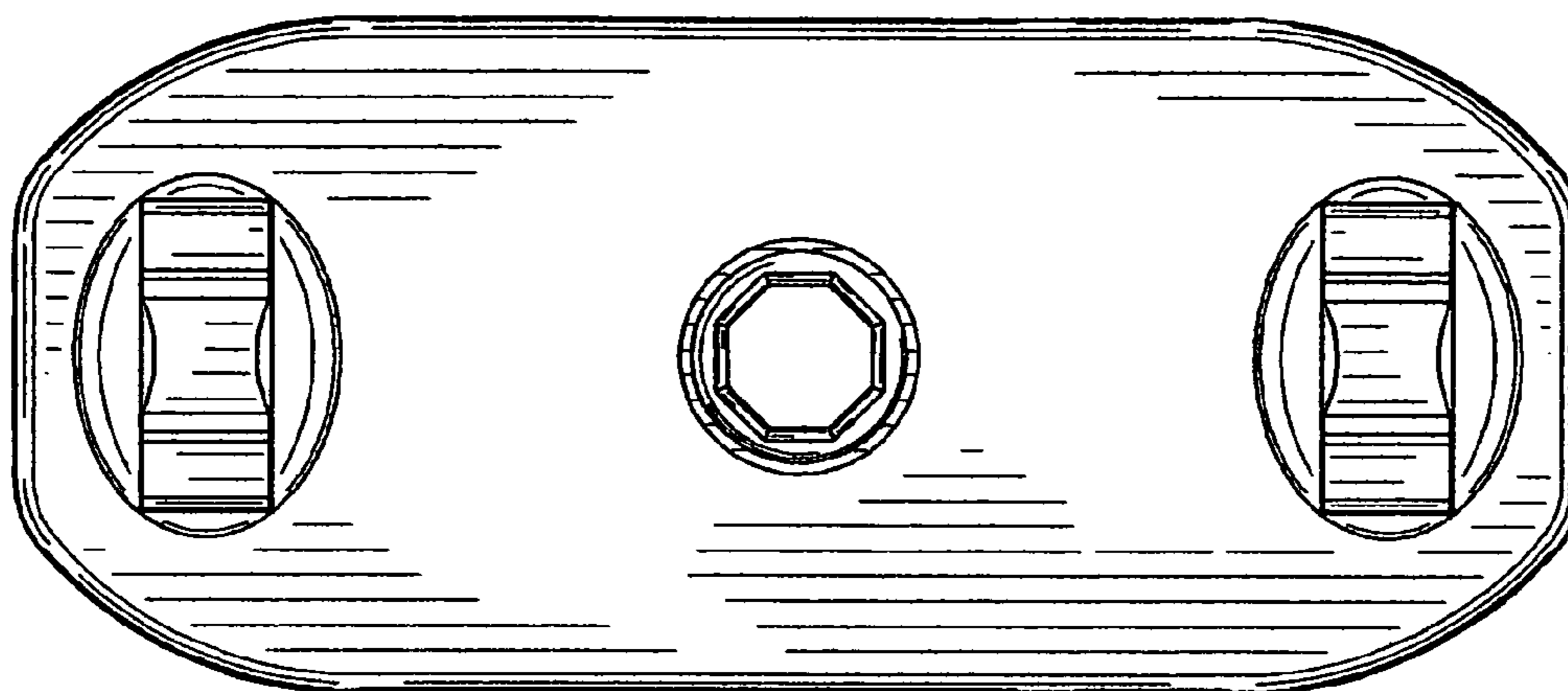


FIG.13

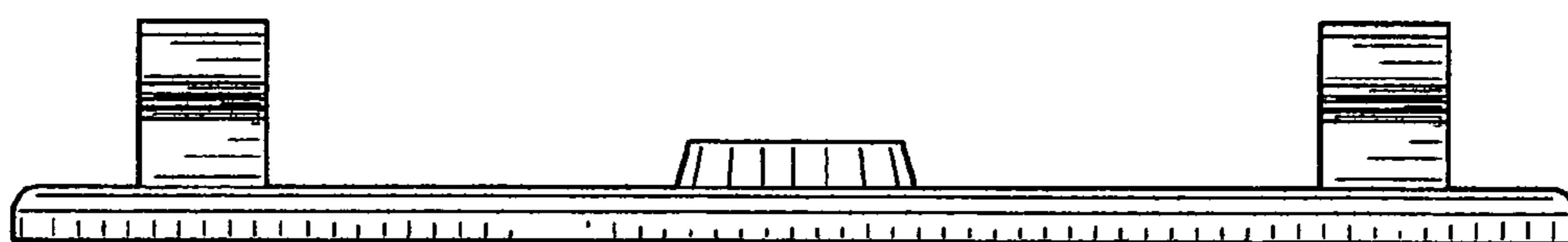


FIG.14

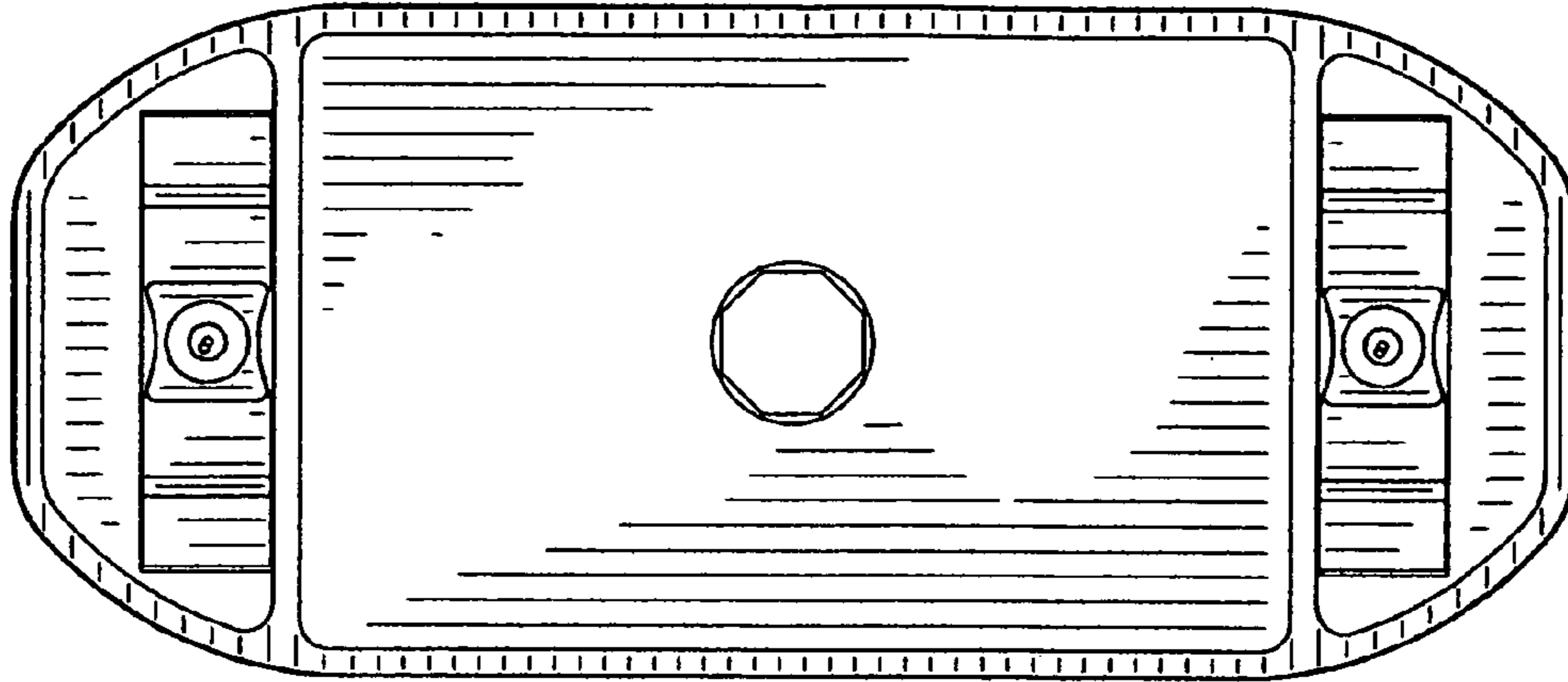


FIG. 15

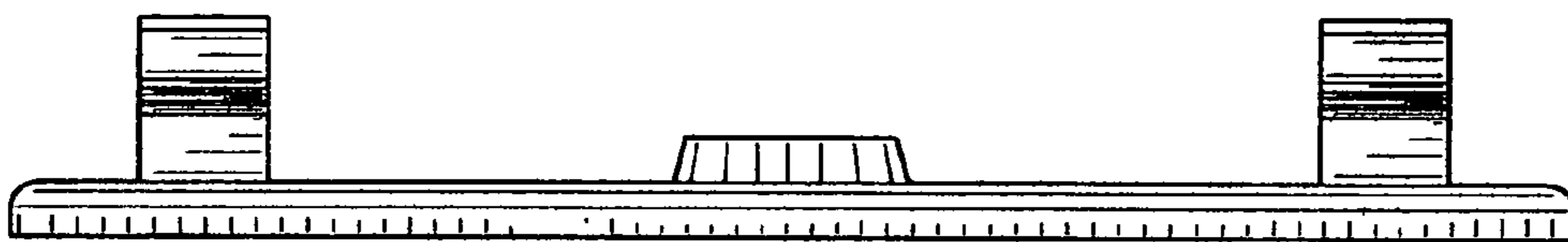


FIG. 16

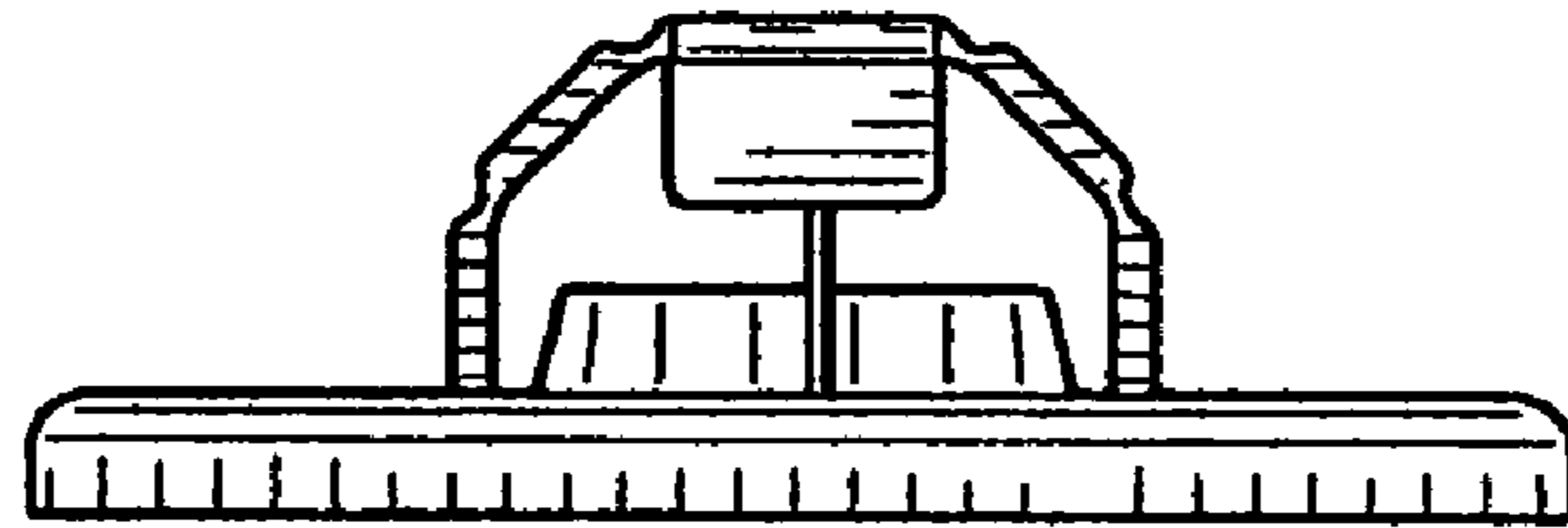


FIG.17

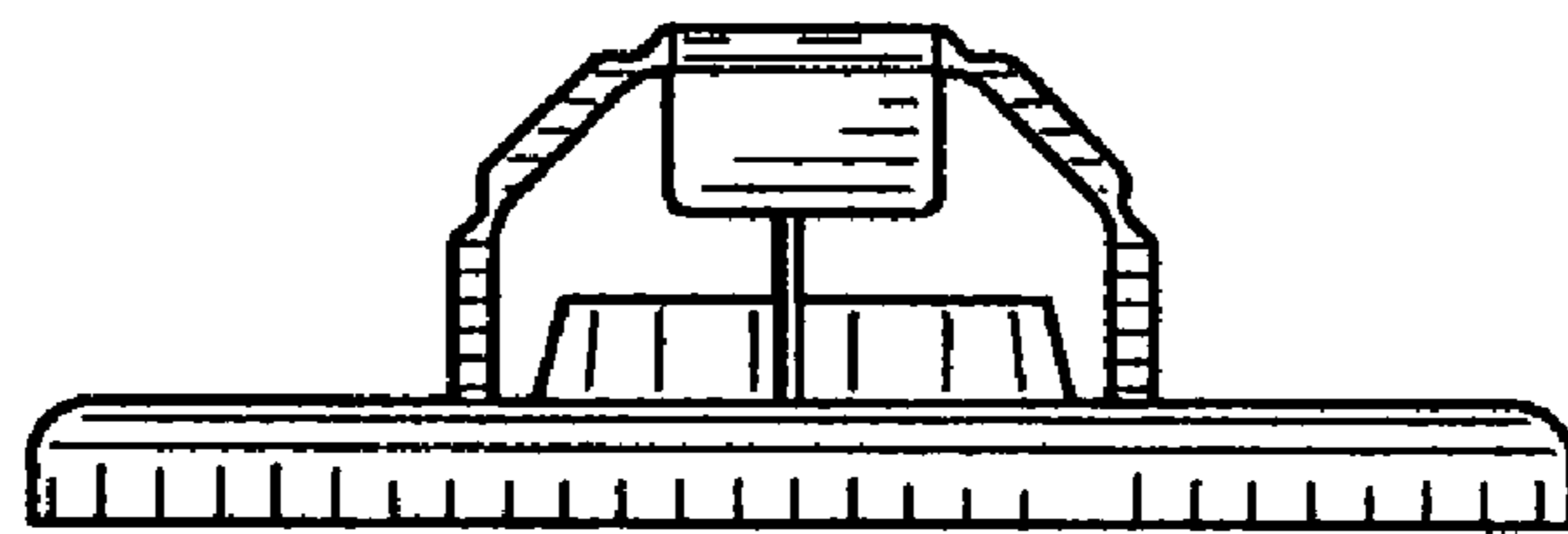


FIG.18

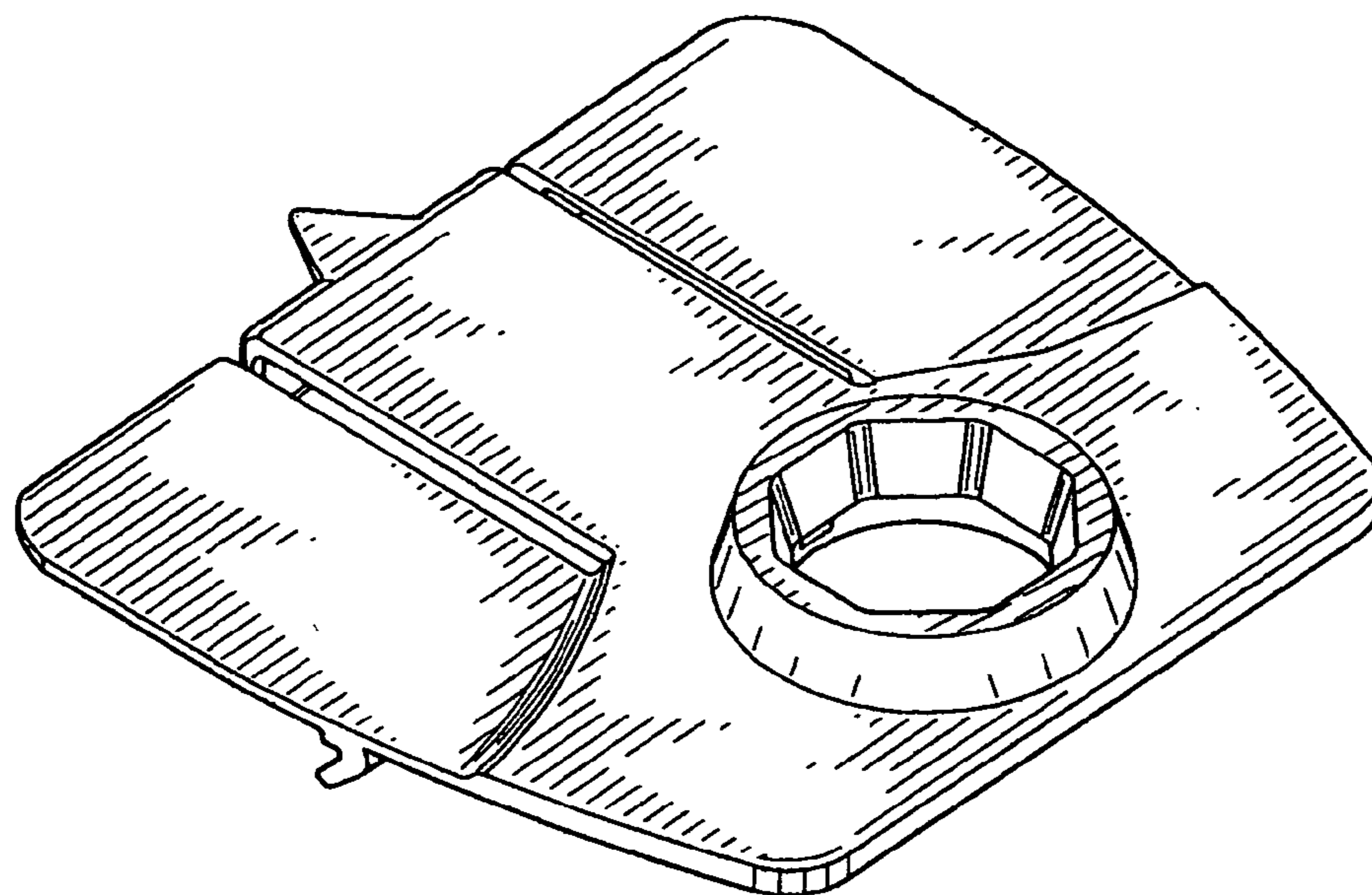


FIG.19

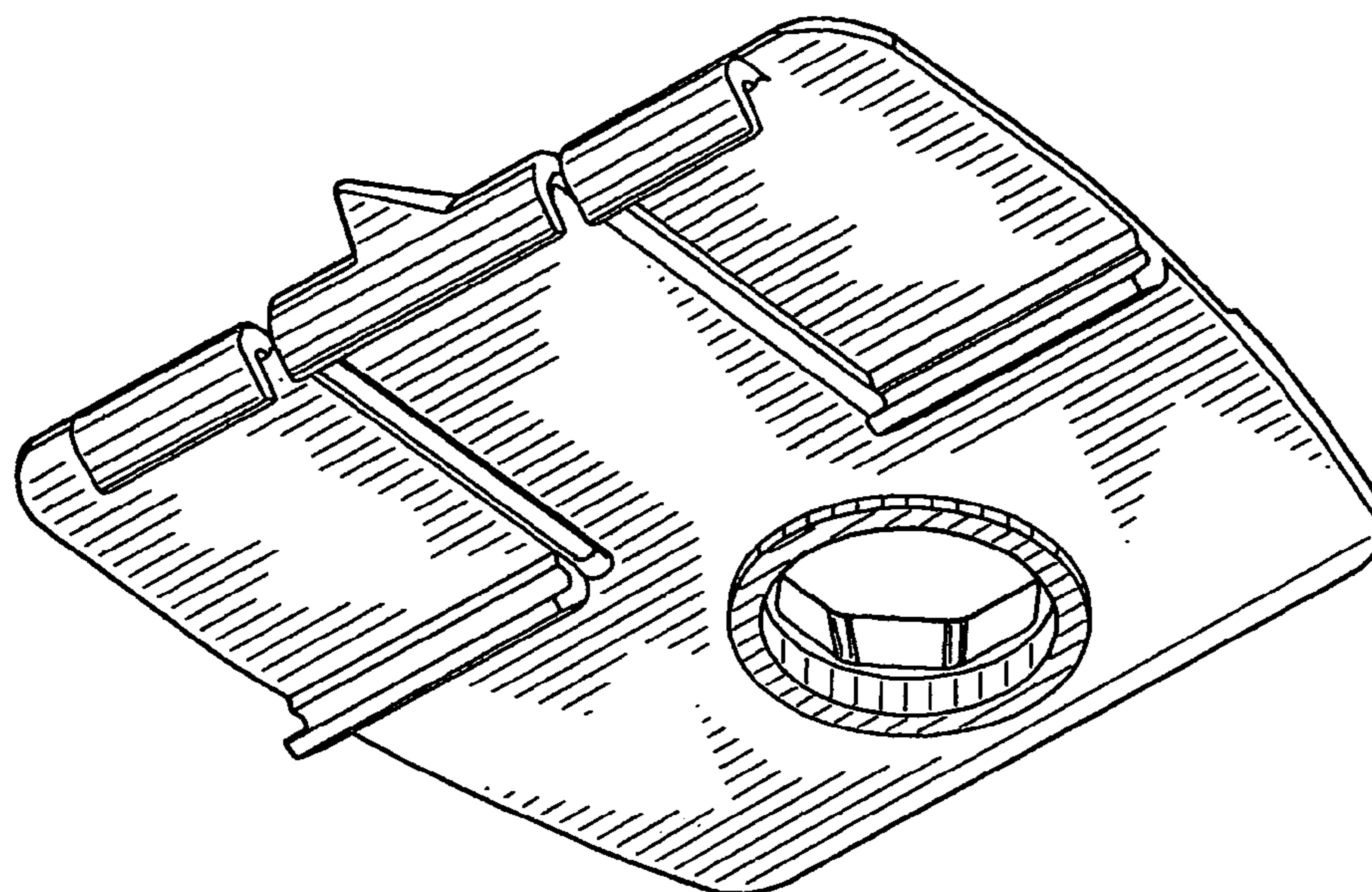


FIG.20

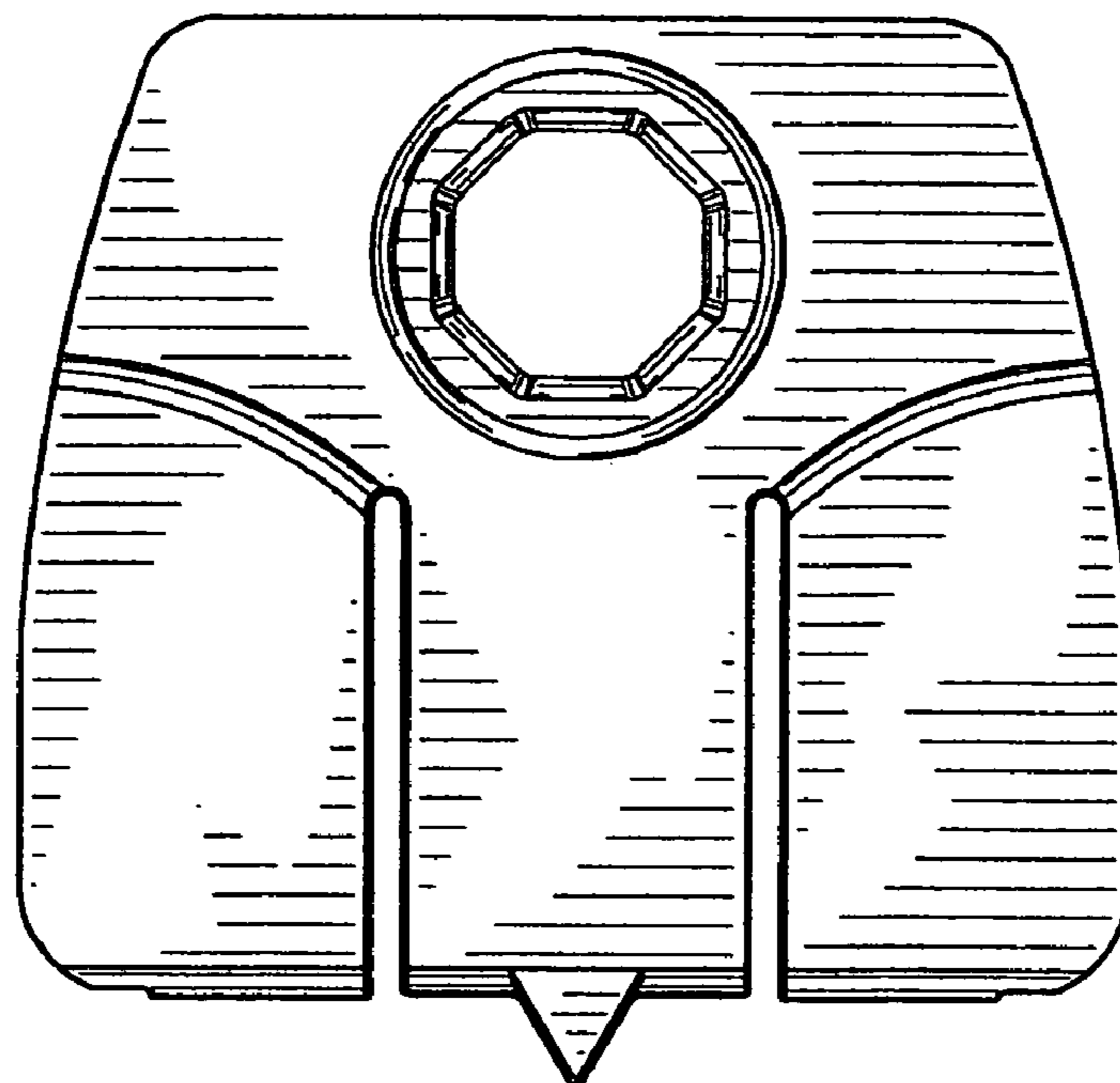


FIG. 21

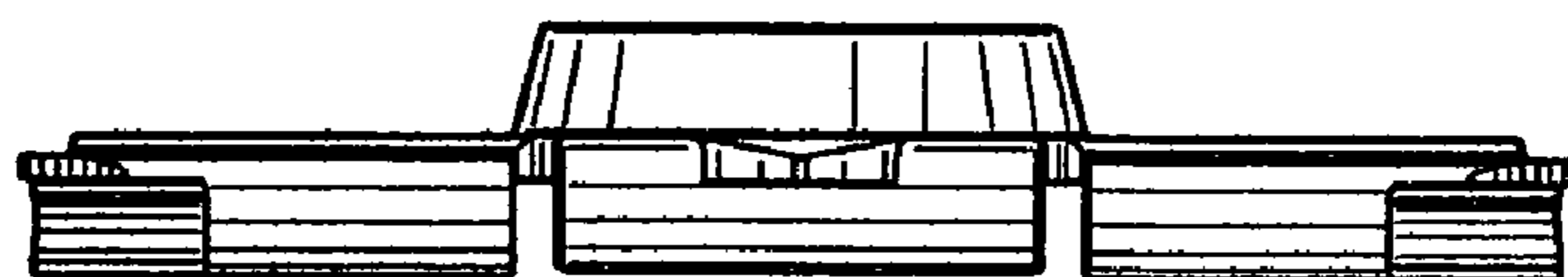


FIG. 22

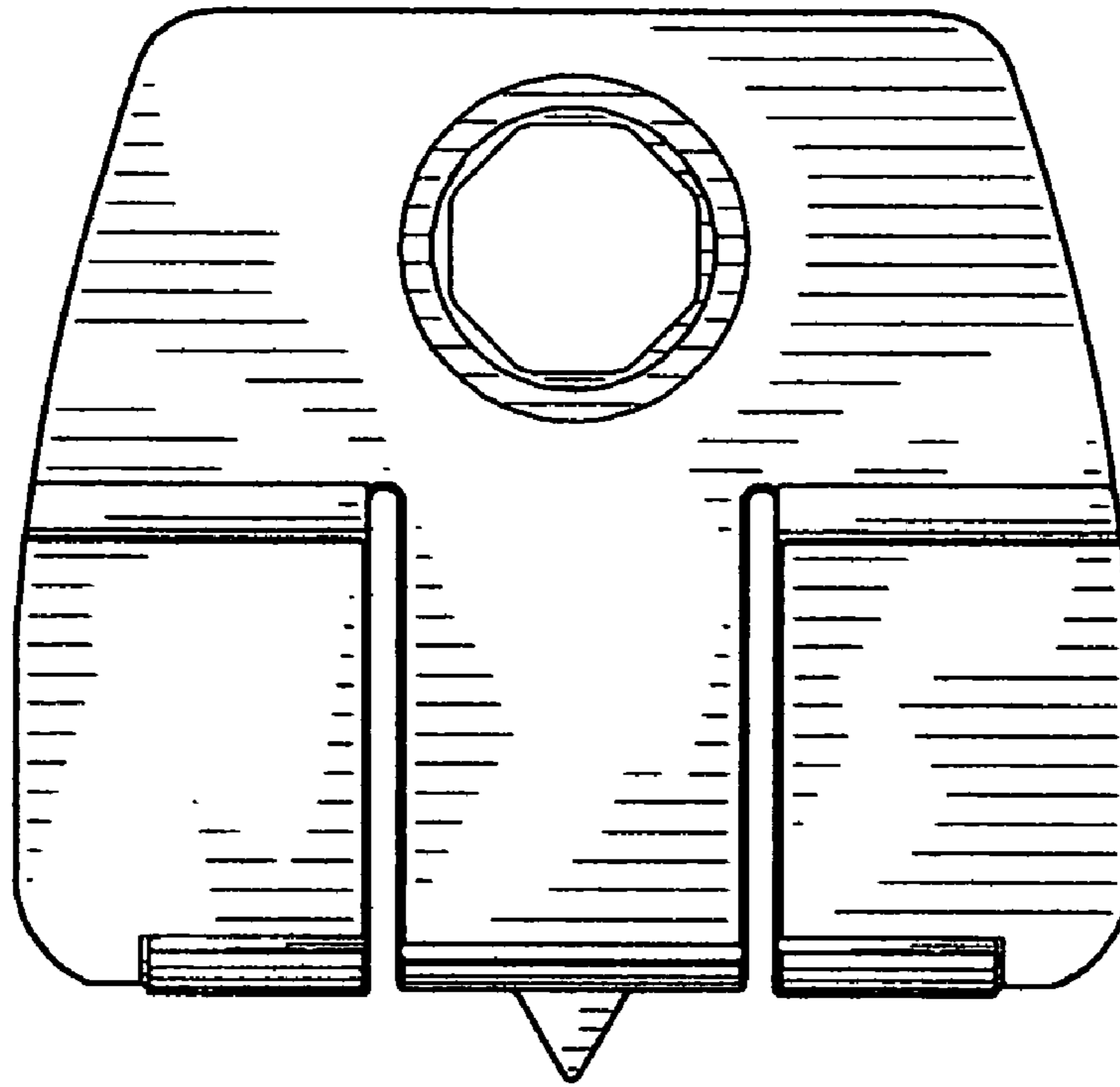


FIG. 23

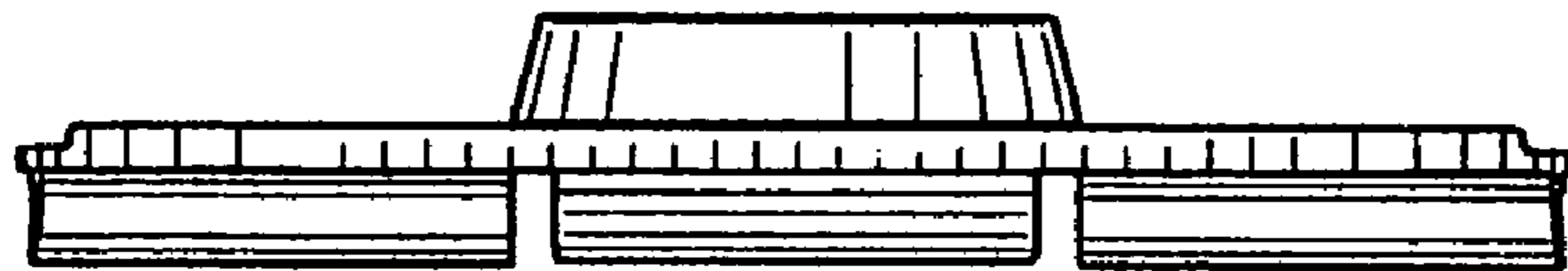


FIG. 24

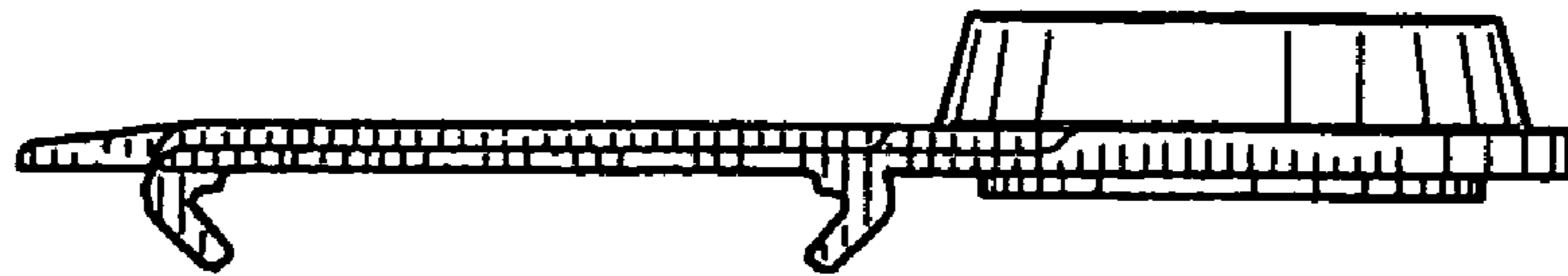


FIG. 25

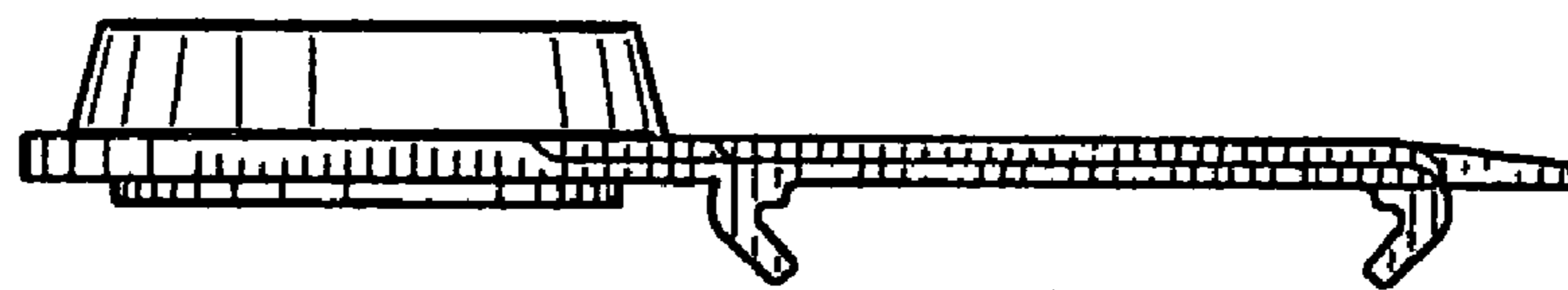


FIG. 26