



US00D555014S

(12) **United States Design Patent**
Uno et al.

(10) **Patent No.:** **US D555,014 S**

(45) **Date of Patent:** **** Nov. 13, 2007**

(54) **AUTOMOBILE CLOCK**

(75) Inventors: **Osamu Uno**, Saitama (JP); **Hitoshi Kokai**, Saitama (JP)

(73) Assignee: **Rhythm Watch Co., Ltd.**, Saitama (JP)

(**) Term: **14 Years**

(21) Appl. No.: **29/244,819**

(22) Filed: **Dec. 15, 2005**

(30) **Foreign Application Priority Data**

Jul. 26, 2005 (JP) 2005-021602

(51) **LOC (8) Cl.** **10-01**

(52) **U.S. Cl.** **D10/1**

(58) **Field of Classification Search** D10/1-27;
368/10, 239-242, 276, 316, 317, 228, 232,
368/180-183; D14/170; 248/27.3

See application file for complete search history.

(56) **References Cited**

U.S. PATENT DOCUMENTS

1,639,598 A * 8/1927 Edlmann 248/27.3

4,449,833 A * 5/1984 Montgomery et al. 368/262

D452,227 S * 12/2001 Chan D14/170
D462,276 S * 9/2002 Hall et al. D10/2

* cited by examiner

Primary Examiner—Robert M. Spear

Assistant Examiner—George D Kirschbaum

(74) *Attorney, Agent, or Firm*—Takeuchi & Kubotera, LLP

(57) **CLAIM**

The ornamental design for an automobile clock, as shown and described.

DESCRIPTION

FIG. 1 is a perspective view of an automobile clock showing my new design;

FIG. 2 is a front view thereof when a light source is turned on;

FIG. 3 is a right side view thereof;

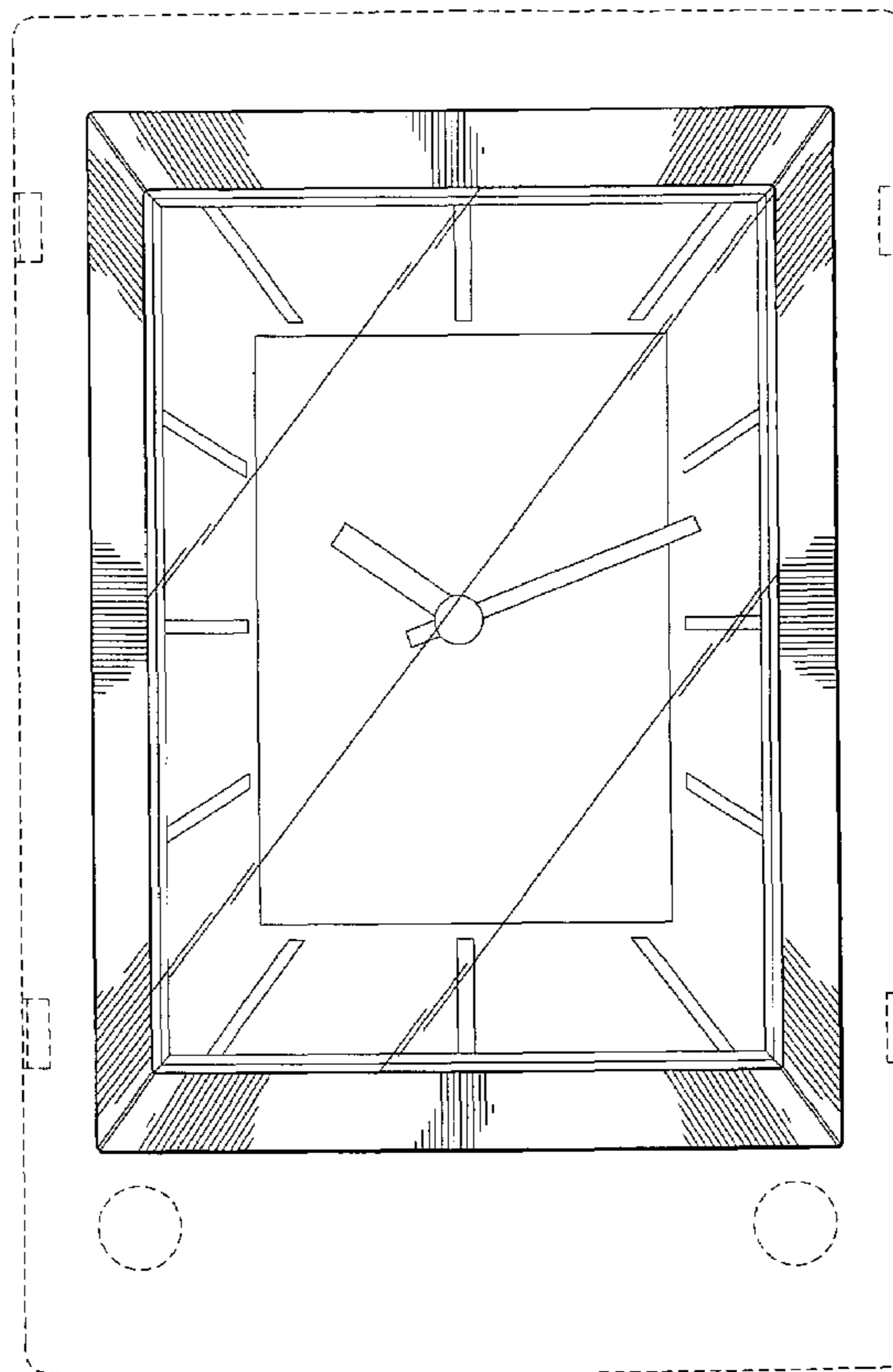
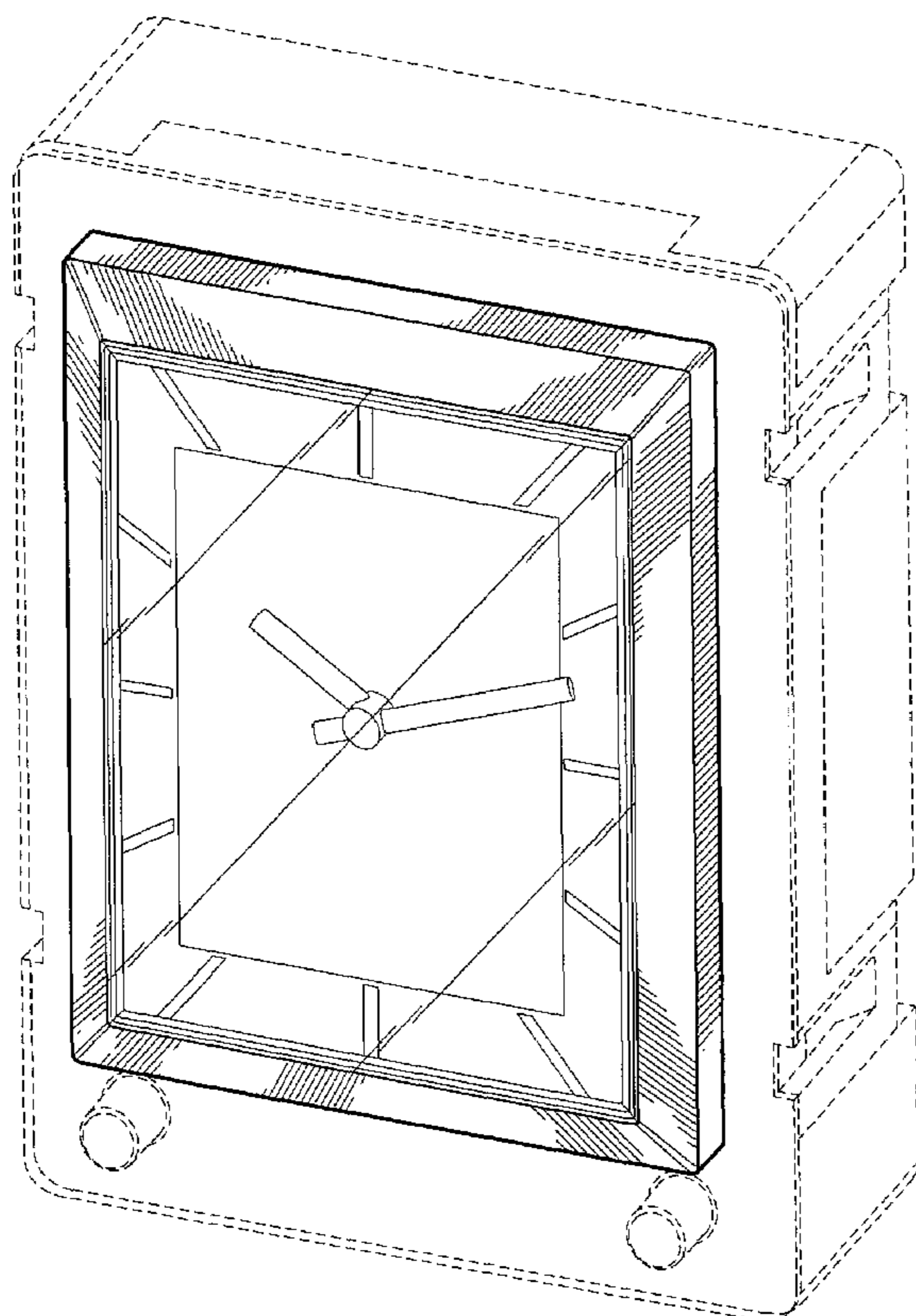
FIG. 4 is a left side view thereof;

FIG. 5 is a top view thereof; and,

FIG. 6 is a bottom view thereof.

The broken lines in the drawings are for illustrative purposes only and form no part of the claimed design.

1 Claim, 5 Drawing Sheets



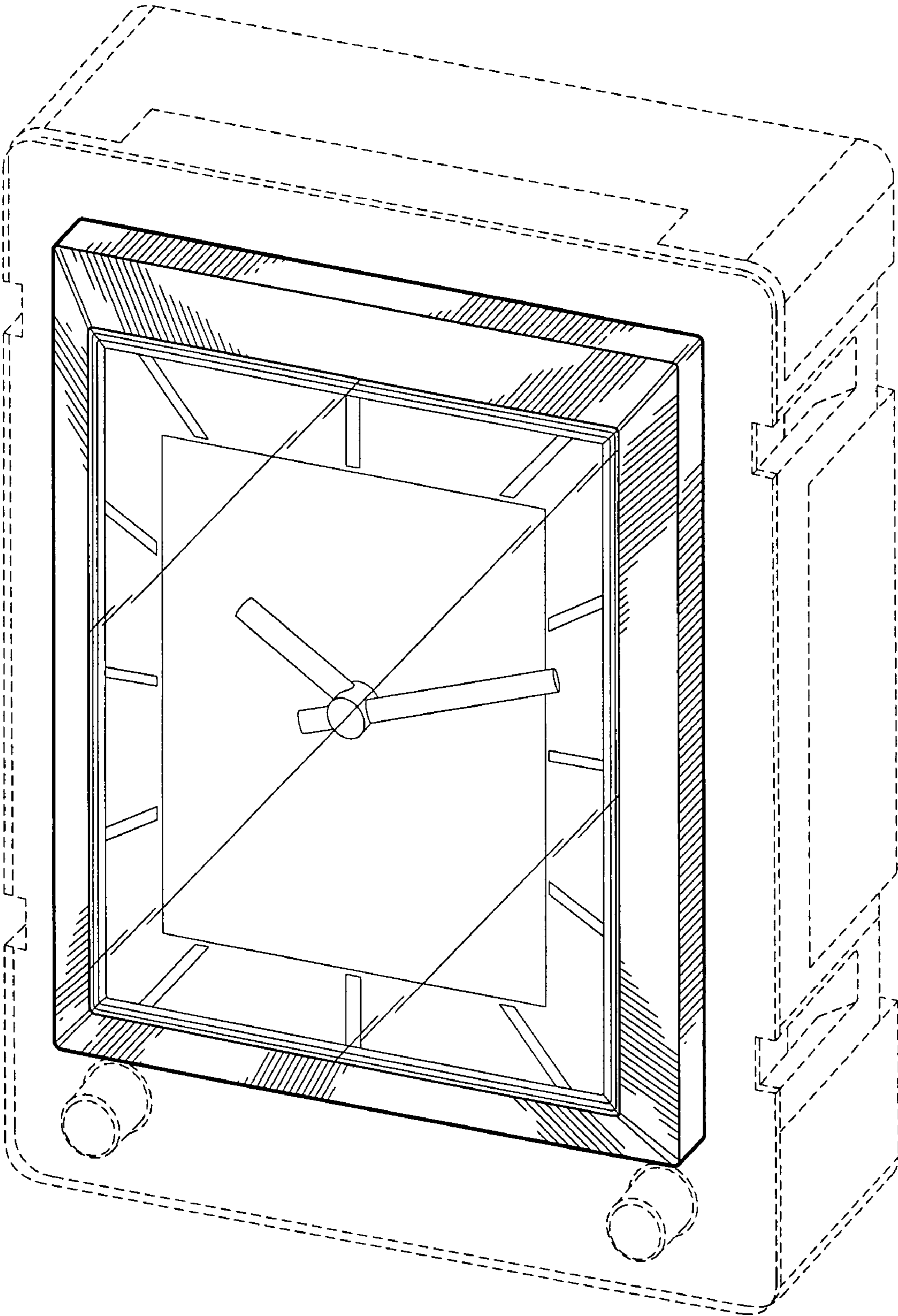


FIG. 1

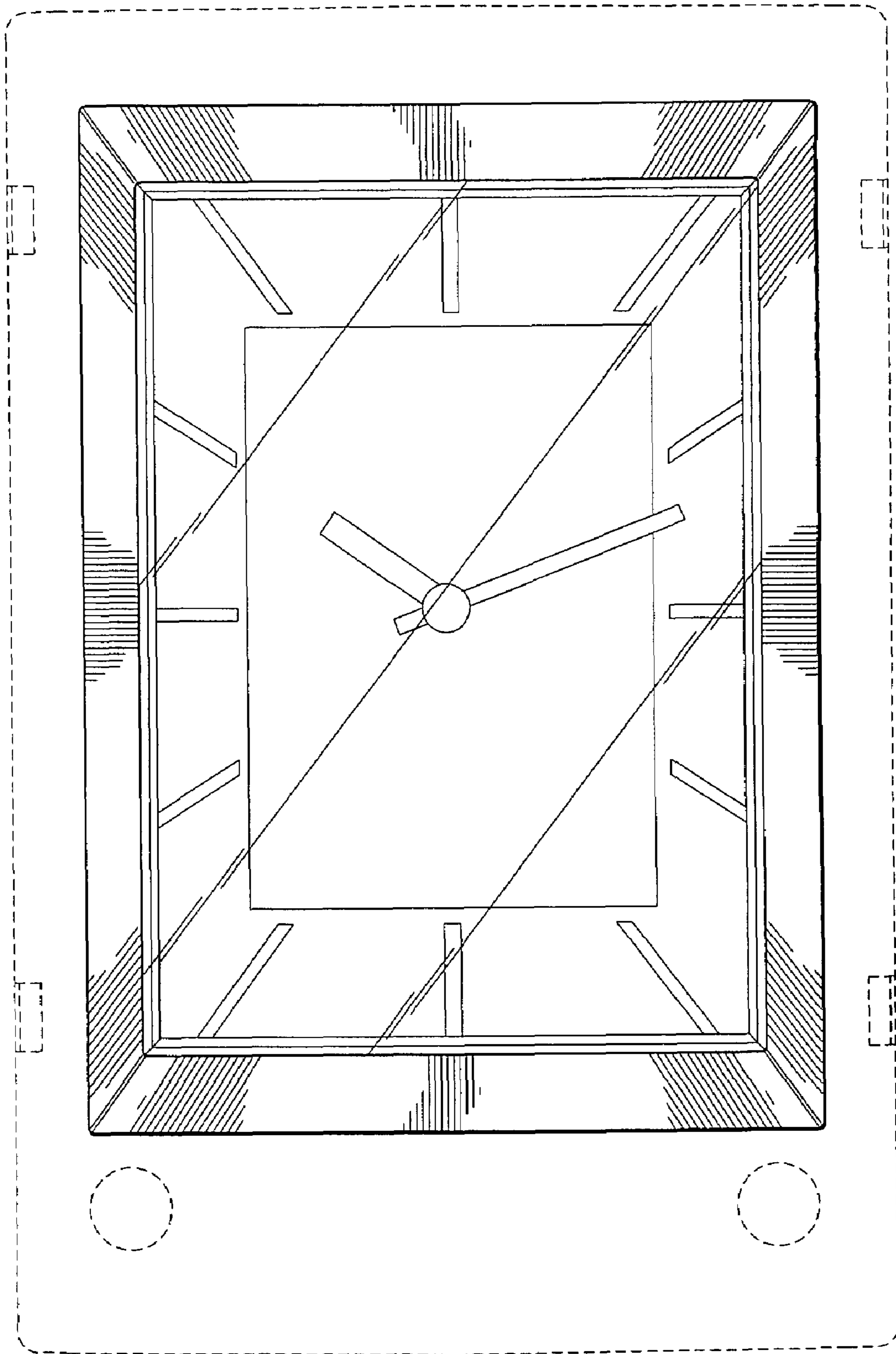


FIG.2

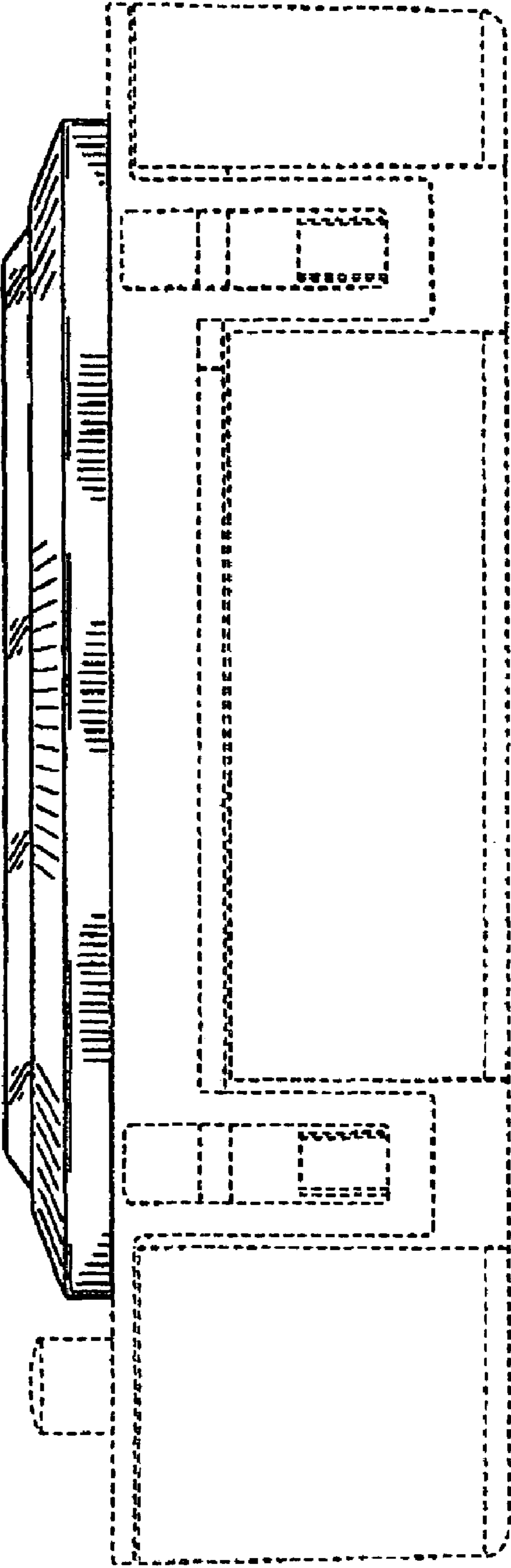


FIG. 3

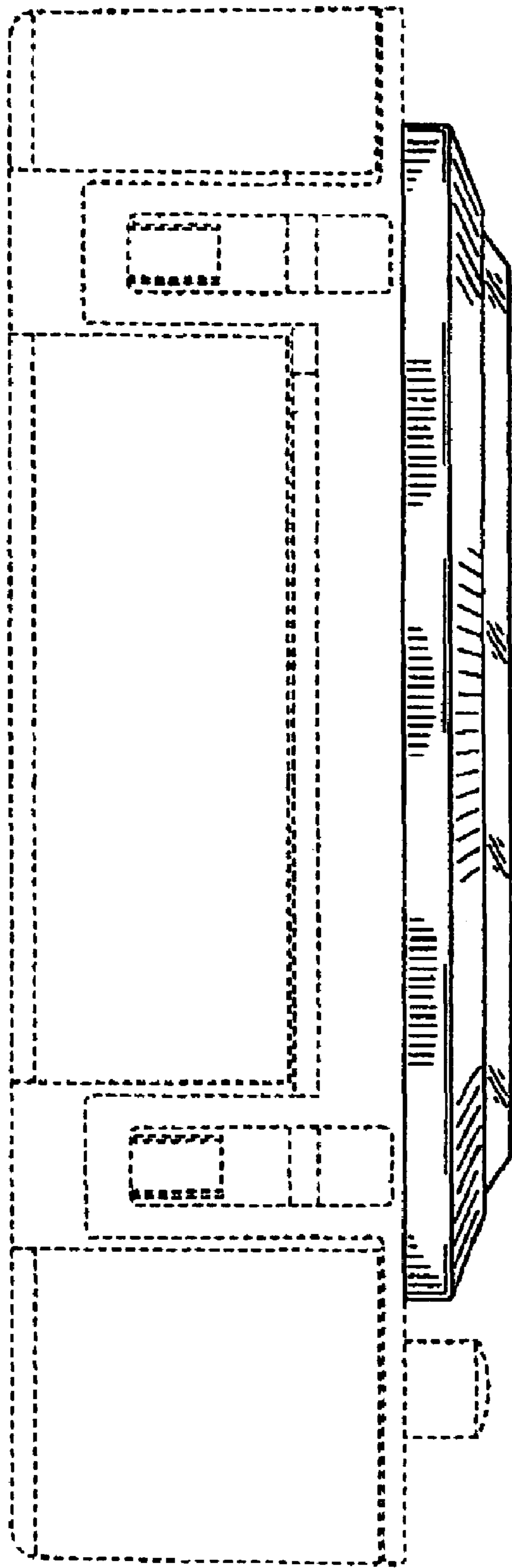


FIG. 4

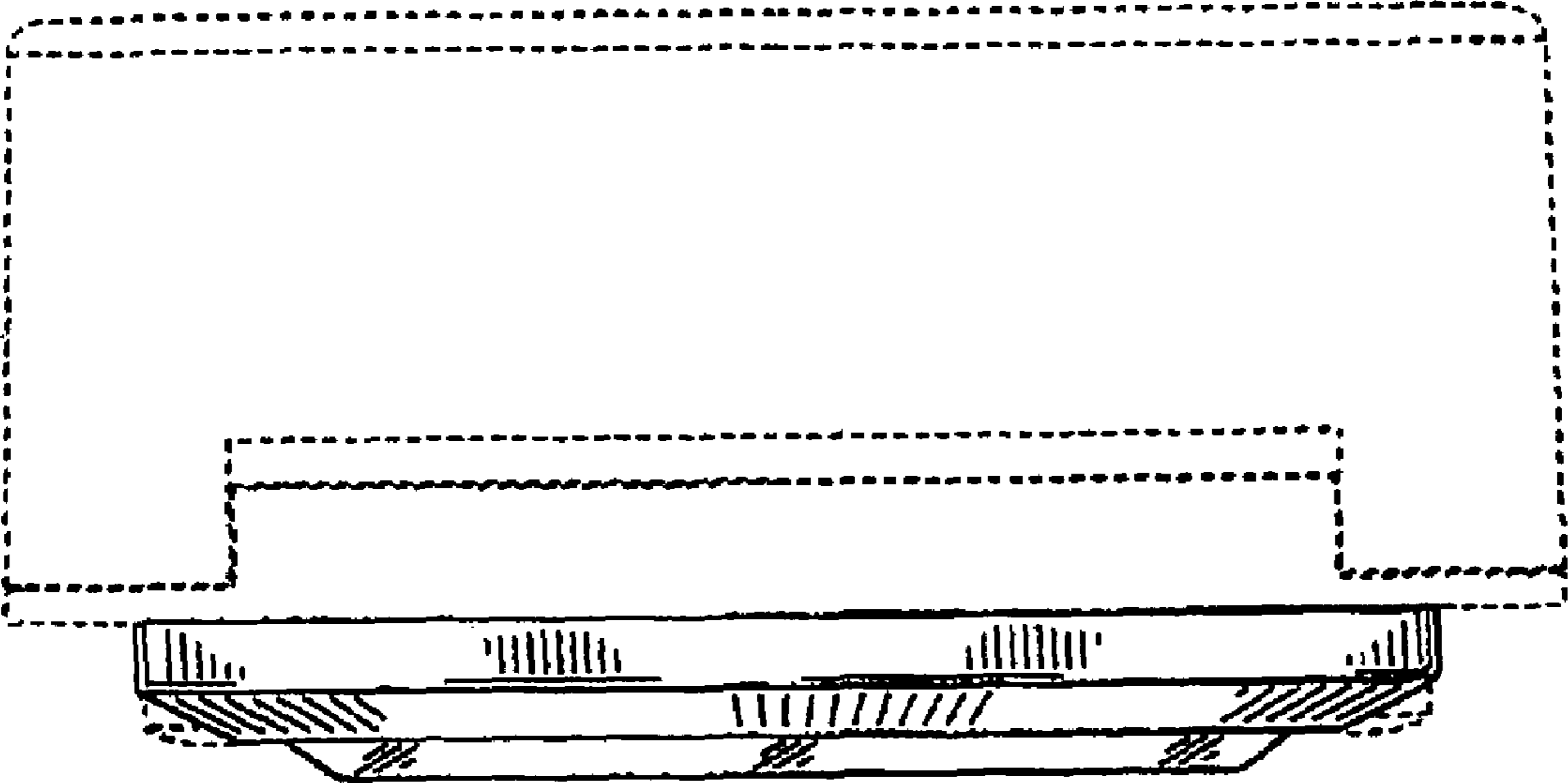


FIG. 5

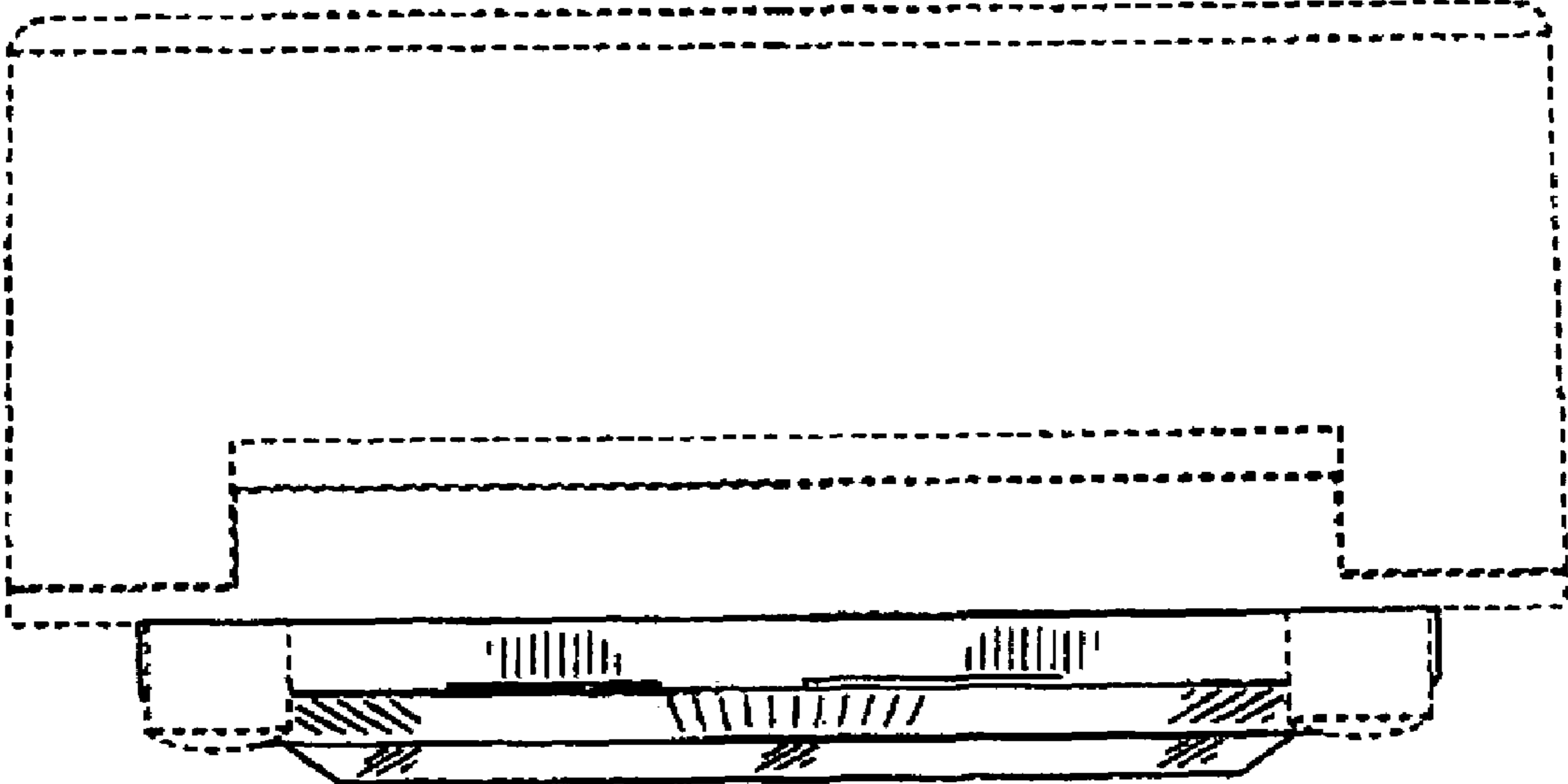


FIG. 6