



US00D554992S

(12) **United States Design Patent**  
**Mangin et al.**

(10) **Patent No.:** **US D554,992 S**

(45) **Date of Patent:** **\*\* Nov. 13, 2007**

(54) **BOTTLE TRANSITION PIECE**

(75) Inventors: **Raphael Louis Mangin**, Frascati (IT);  
**Guy Hubert Stephane Sylvain**  
**Culeron**, Rhode Saint Genese (BE)

(73) Assignee: **The Procter & Gamble Company**,  
Cincinnati, OH (US)

(\*\*) Term: **14 Years**

(21) Appl. No.: **29/288,001**

(22) Filed: **Jul. 2, 2007**

**Related U.S. Application Data**

(60) Division of application No. 29/240,103, filed on Oct. 7, 2005, which is a continuation-in-part of application No. 29/233,282, filed on Jun. 30, 2005, now Pat. No. Des. 526,899.

(51) **LOC (8) Cl.** ..... **09-07**

(52) **U.S. Cl.** ..... **D9/434; D9/448**

(58) **Field of Classification Search** ..... D9/447,  
D9/435, 434, 448, 624, 614, 451, 734, 682,  
D9/686, 689; D7/683, 671, 396.2, 392.1;  
221/63

See application file for complete search history.

(56) **References Cited**

**U.S. PATENT DOCUMENTS**

D110,902 S \* 8/1938 Loesch ..... D7/558  
D222,338 S \* 10/1971 Desprez ..... D9/529  
D241,624 S \* 9/1976 Trott ..... D9/447

D348,509 S \* 7/1994 Bollenbacher ..... D6/550  
D353,773 S \* 12/1994 Desgrippes ..... D9/529  
D390,117 S \* 2/1998 Kan et al. .... D9/529  
D468,404 S \* 1/2003 Hunter ..... D23/254  
D509,994 S \* 9/2005 Hadland ..... D7/587  
D526,898 S \* 8/2006 Isono et al. .... D9/435  
D531,500 S \* 11/2006 Perry et al. .... D9/434

\* cited by examiner

*Primary Examiner*—Gary D. Watson

*Assistant Examiner*—Susan Bennett Hattan

(74) *Attorney, Agent, or Firm*—Laura R. Grunzinger

(57) **CLAIM**

The ornamental design for a bottle transition piece, as shown and described.

**DESCRIPTION**

FIG. 1 is a perspective view of a design for a bottle transition piece, showing the upper rim portion of the transition piece being of a contrasting color (for example, a darker color) than the remainder of the transition piece;

FIG. 2 is a front view thereof;

FIG. 3 is a back view thereof;

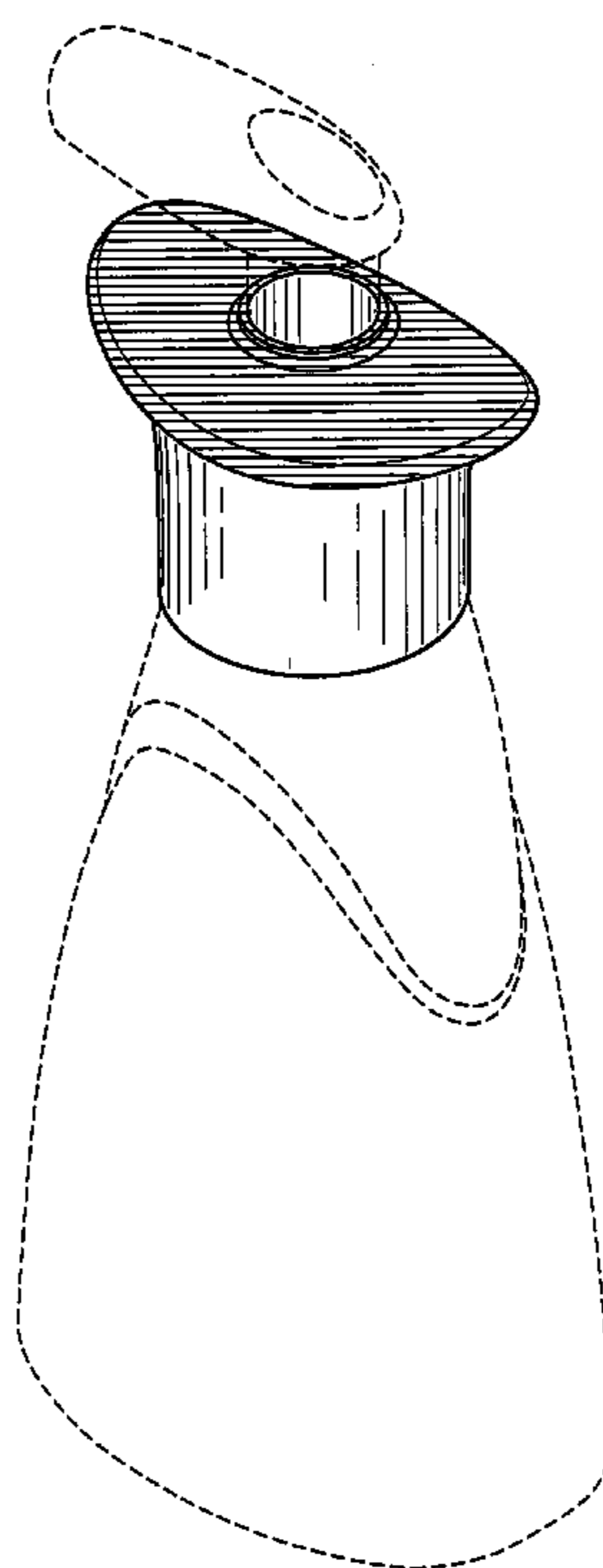
FIG. 4 is a left side view thereof;

FIG. 5 is a right side view thereof; and,

FIG. 6 is a top plan view thereof.

The broken lines shown in the drawings are for illustrative purposes only and form no part of the claimed design.

**1 Claim, 6 Drawing Sheets**



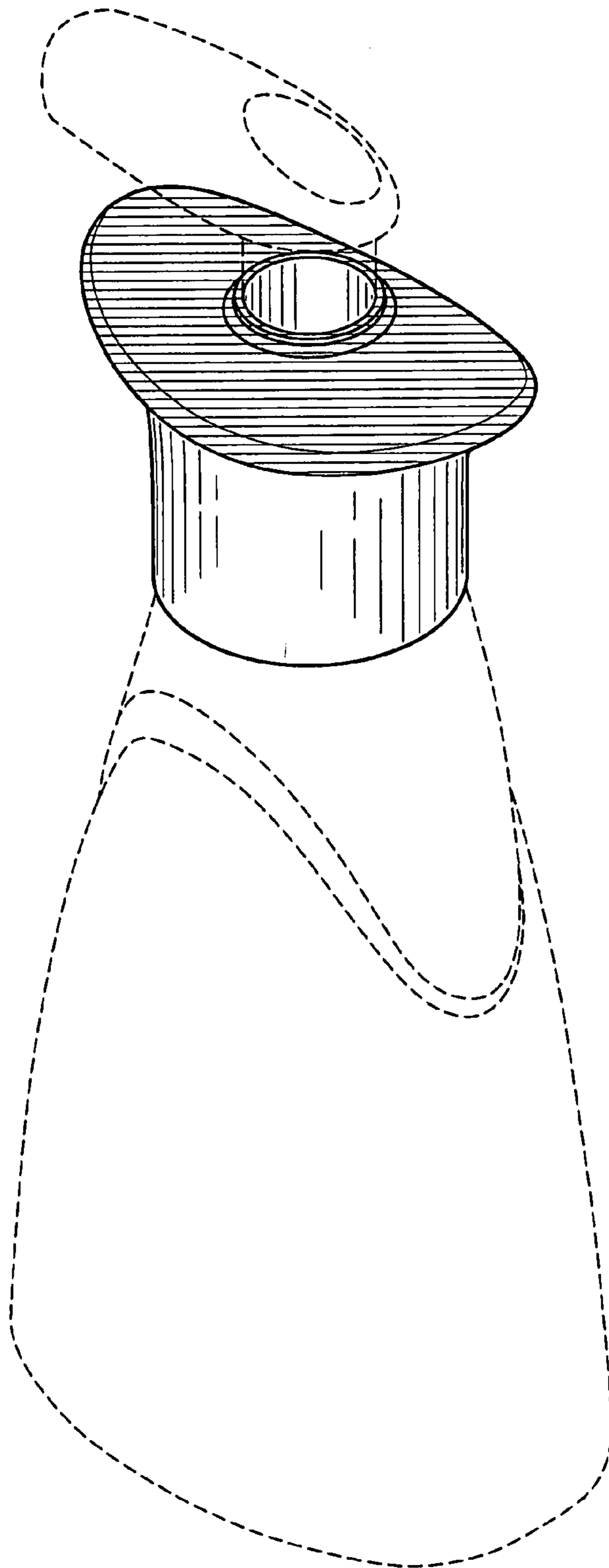


FIG. 1

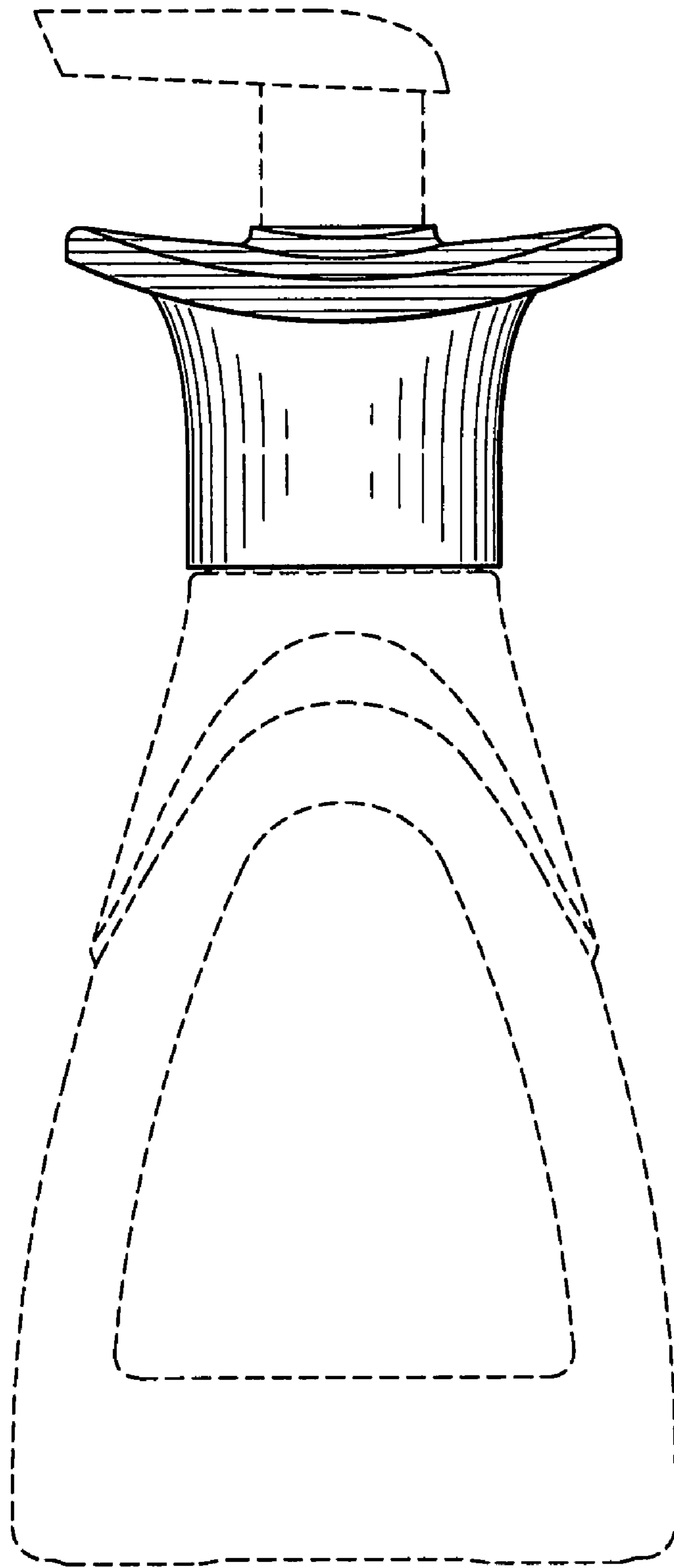
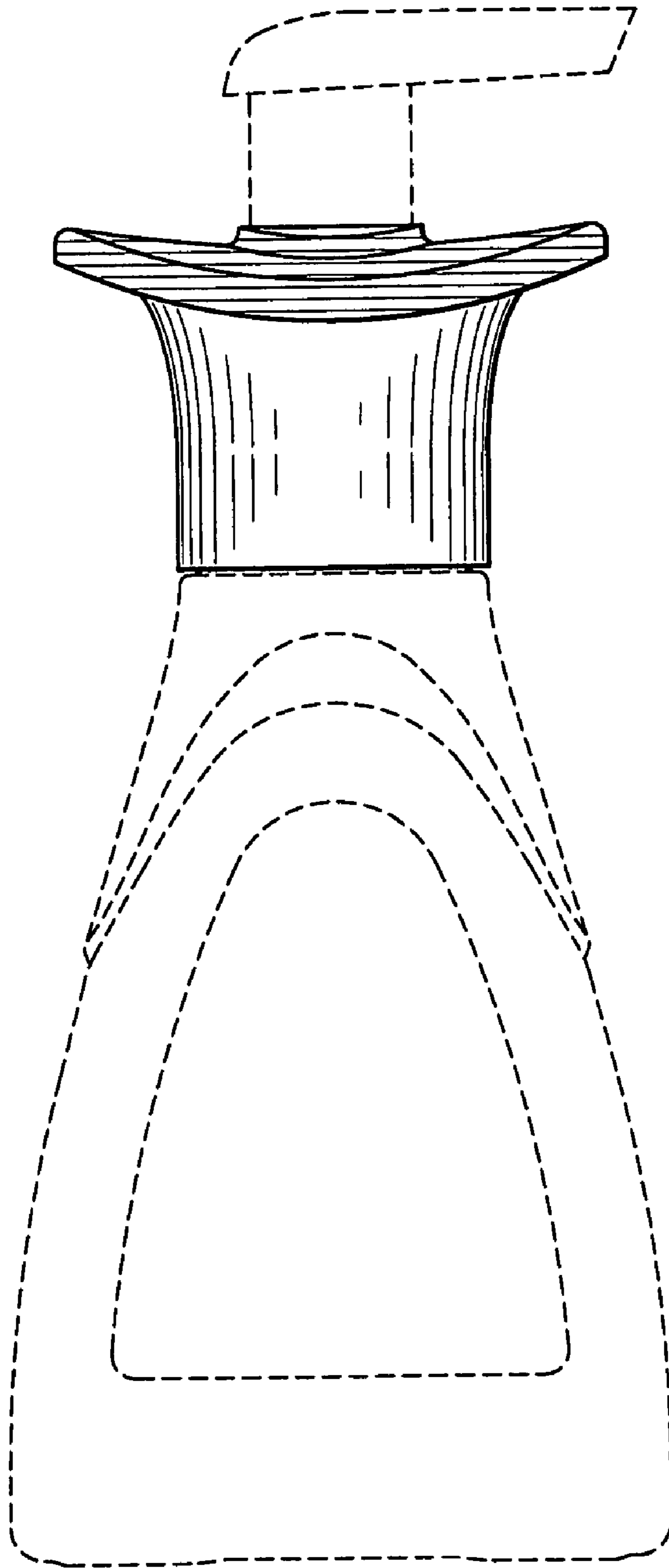


FIG. 2



**FIG. 3**

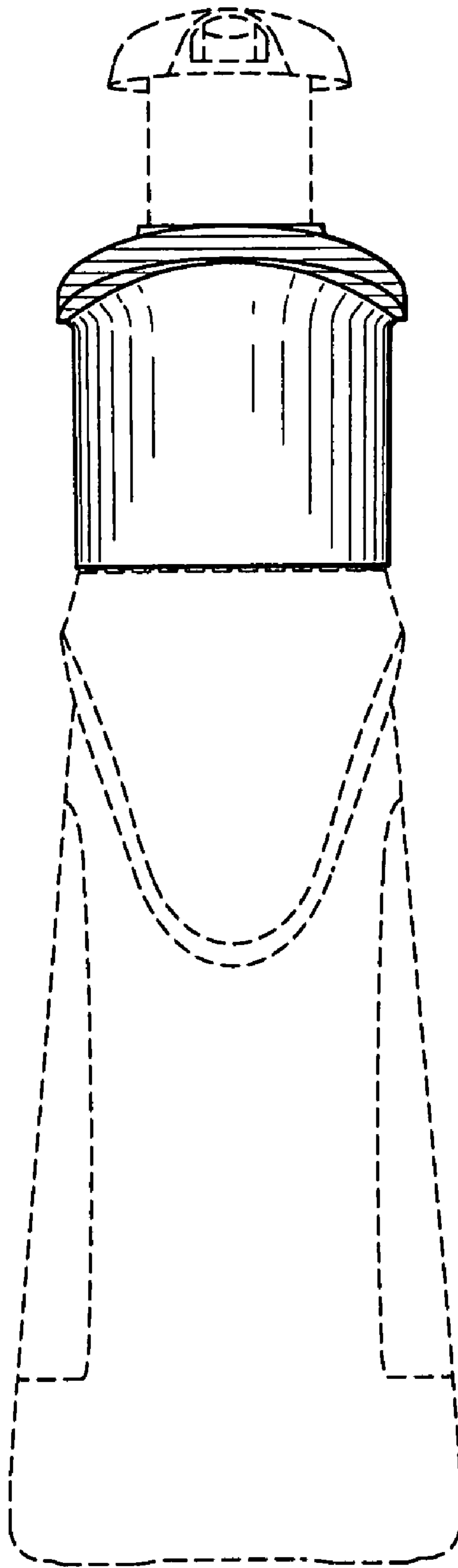


FIG. 4

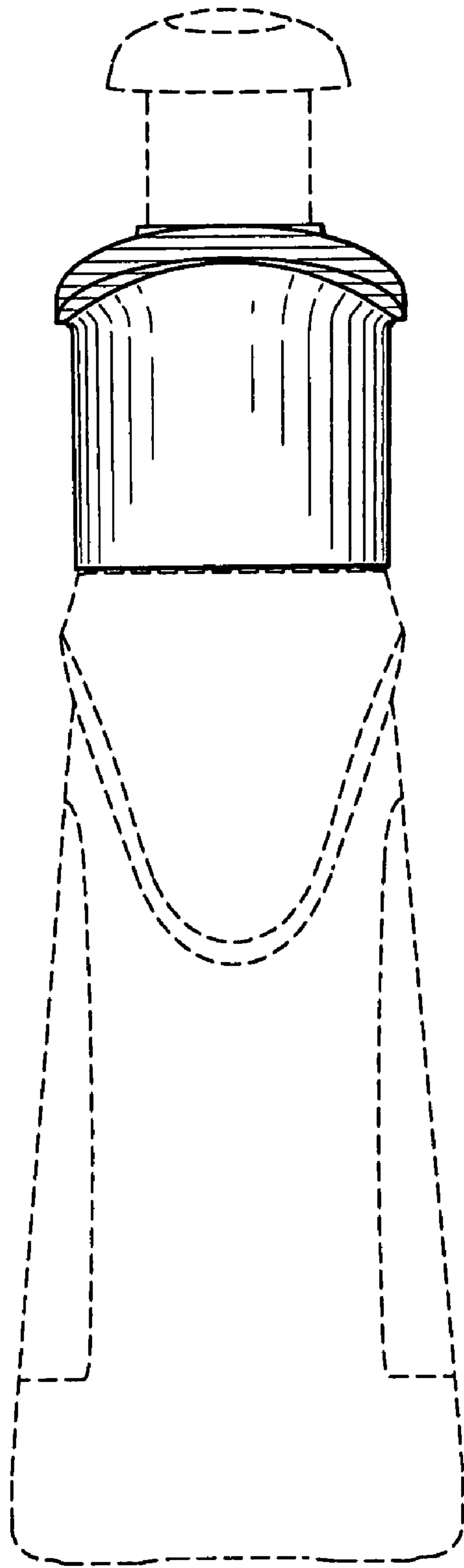
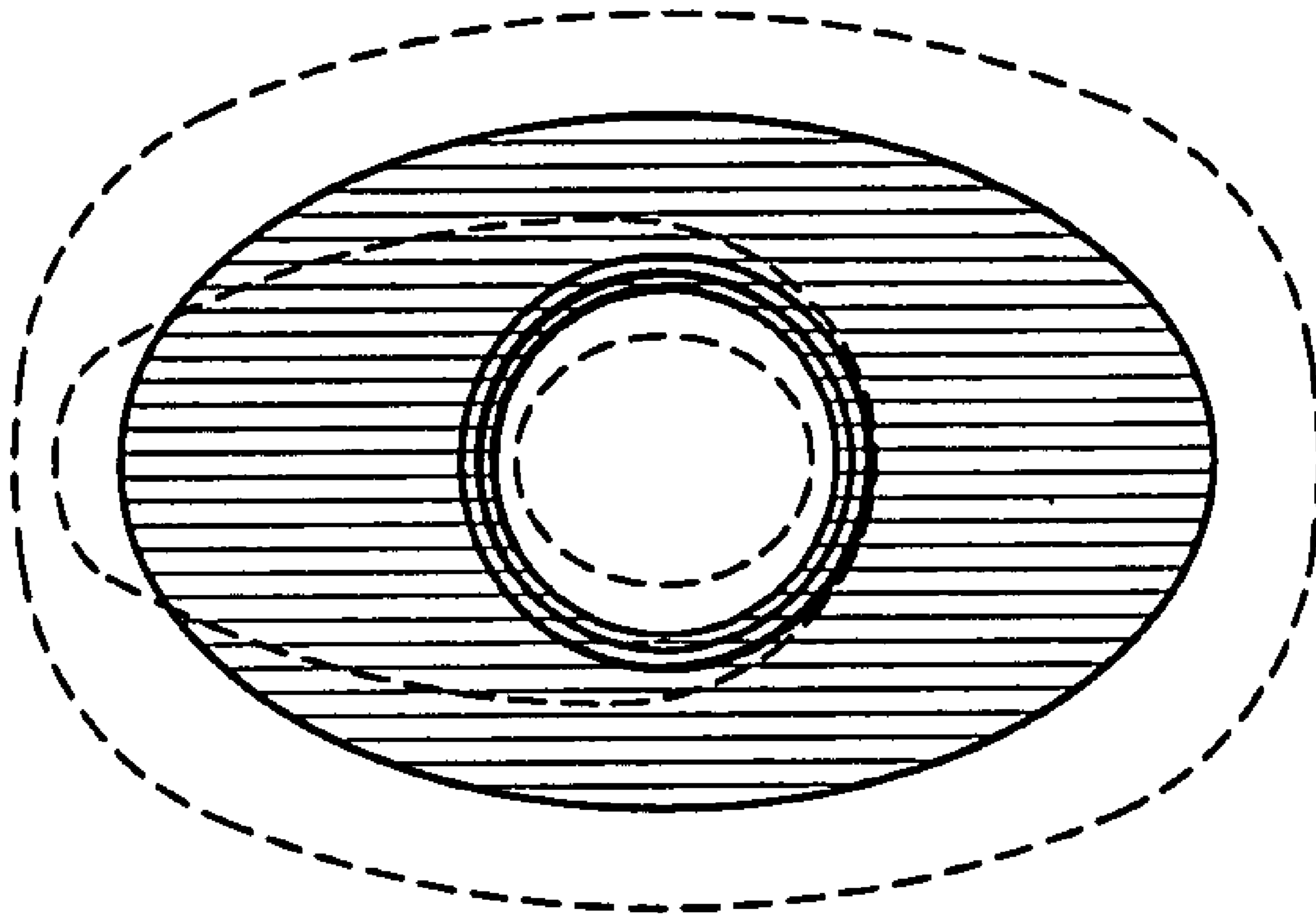


FIG. 5



**FIG. 6**