



US00D554990S

(12) **United States Design Patent**  
**Terrasi**

(10) **Patent No.:** **US D554,990 S**

(45) **Date of Patent:** **\*\* Nov. 13, 2007**

(54) **PACKAGING OR CONTAINER FOR FOOD PRODUCTS SUCH AS CONFECTIONERY PRODUCTS**

*Primary Examiner*—Robert A. Delehanty  
(74) *Attorney, Agent, or Firm*—Rothwell, Figg, Ernst & Manbeck P.C.

(75) **Inventor:** **Giuseppe Terrasi**, Benevello (IT)

(73) **Assignee:** **Sorematic S.A.**, Schoppach Arlon (BE)

(\*\*) **Term:** **14 Years**

(21) **Appl. No.:** **29/261,188**

(22) **Filed:** **Jun. 9, 2006**

(30) **Foreign Application Priority Data**

May 11, 2006 (EM) ..... 000528336

(51) **LOC (8) Cl.** ..... **09-03**

(52) **U.S. Cl.** ..... **D9/432**

(58) **Field of Classification Search** ..... D9/430–433,  
D9/414–418; 229/105–106, 108, 108.1,  
229/100, 112–113, 115–116, 110, 162.1,  
229/922, 938, 182.1; 206/551, 746, 457,  
206/784, 822; D3/20; D28/83

See application file for complete search history.

(56) **References Cited**

**U.S. PATENT DOCUMENTS**

D277,420 S \* 1/1985 Bakic ..... D28/83

D375,620 S \* 11/1996 Chan ..... D3/20

\* cited by examiner

(57) **CLAIM**

The ornamental design for a packaging or container for food products such as confectionery products, as shown and described.

**DESCRIPTION**

FIG. 1 shows the front side of the packaging or container for food products such as confectionery products;

FIG. 2 shows the left side of the packaging or container for food products such as confectionery products;

FIG. 3 shows the right side of the packaging or container for food products such as confectionery products;

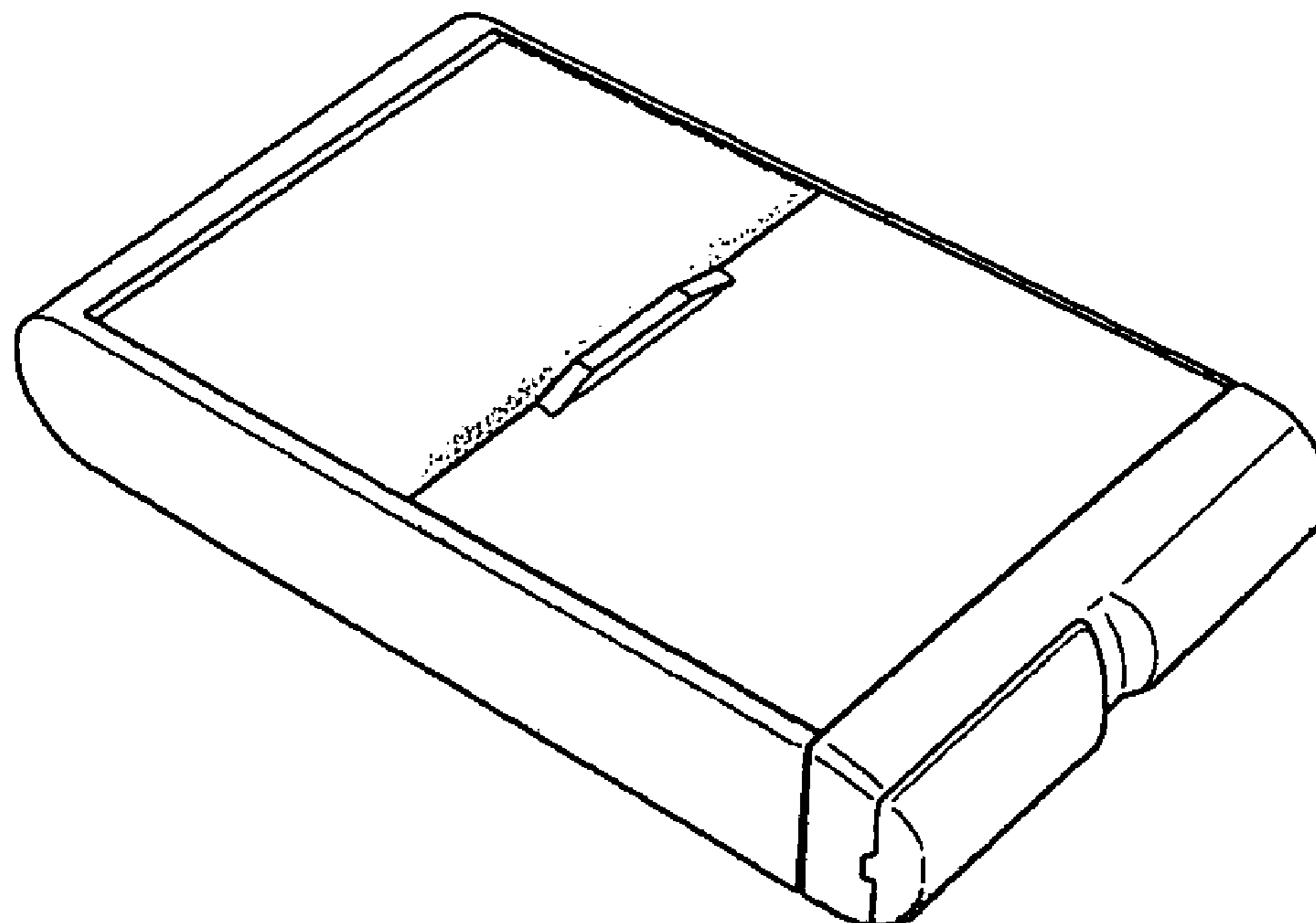
FIG. 4 shows the bottom side of the packaging or container for food products such as confectionery products;

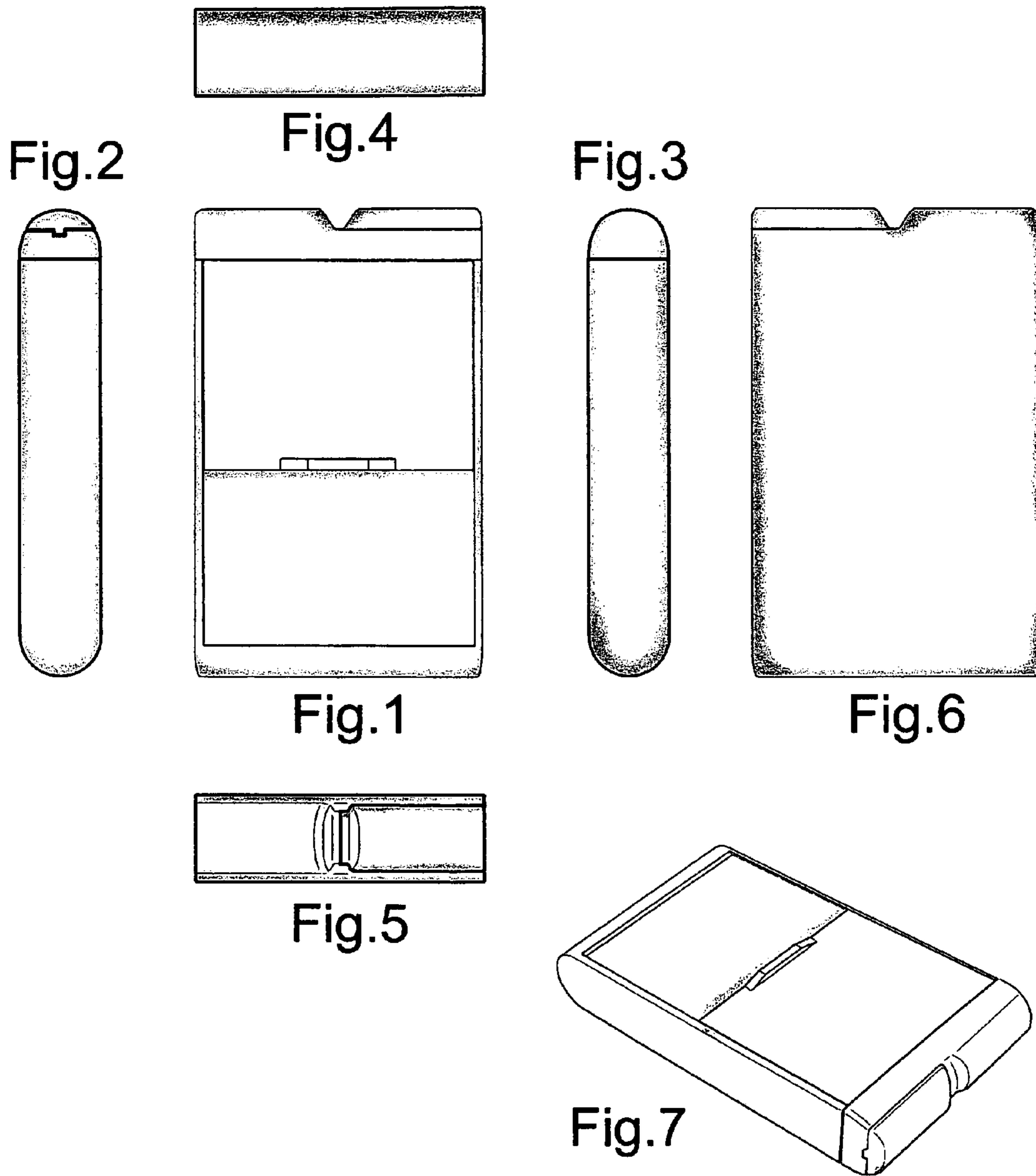
FIG. 5 shows the top side of the packaging or container for food products such as confectionery products;

FIG. 6 shows the back side of the packaging or container for food products such as confectionery products; and,

FIG. 7 shows a perspective view of the packaging or container for food products such as confectionery products.

**1 Claim, 1 Drawing Sheet**





UNITED STATES PATENT AND TRADEMARK OFFICE  
**CERTIFICATE OF CORRECTION**

PATENT NO. : Des. 554,990 S  
APPLICATION NO. : 29/261188  
DATED : November 13, 2007  
INVENTOR(S) : Terrasi

Page 1 of 1

It is certified that error appears in the above-identified patent and that said Letters Patent is hereby corrected as shown below:

Title page, paragraph (73), Assignee information, delete "Sorematic" and substitute therefor --SOREMARTEC--.

Signed and Sealed this

Twelfth Day of August, 2008

A handwritten signature in black ink that reads "Jon W. Dudas". The signature is written in a cursive style with a large, looped initial "J".

JON W. DUDAS

*Director of the United States Patent and Trademark Office*