



US00D554989S

(12) **United States Design Patent**
Platter

(10) **Patent No.:** **US D554,989 S**

(45) **Date of Patent:** **** Nov. 13, 2007**

(54) **PACKAGE ASSEMBLY UNIT AND PACKAGE**

D506,131 S * 6/2005 Izen et al. D9/418
D535,557 S * 1/2007 Fath D9/432

(75) Inventor: **Alexandra Platter**, Meran (IT)

(73) Assignee: **Pan Tiefkuhlprodukte GmbH**, Leifers (BZ) (DE)

* cited by examiner

Primary Examiner—Robert A. Delehanty

(74) *Attorney, Agent, or Firm*—Bell, Boyd & Lloyd, LLP

(**) Term: **14 Years**

(21) Appl. No.: **29/241,612**

(57) **CLAIM**

(22) Filed: **Oct. 28, 2005**

The ornamental design for a package assembly unit and package, as shown and described herein.

(30) **Foreign Application Priority Data**

DESCRIPTION

Apr. 29, 2005 (EM) 000 333 521-0001
Apr. 29, 2005 (EM) 000 333 521-0002
Apr. 29, 2005 (EM) 000 333 521-0003

FIG. 1 is a top plan view of a package assembly unit in an open, unassembled position.

(51) **LOC (8) Cl.** **09-01**

(52) **U.S. Cl.** **D9/432; D9/418**

FIG. 2 is a top perspective view of a package formed through use of the package assembly unit of FIG. 1, illustrating the top and a plurality of sides of the package in an assembled position; and,

(58) **Field of Classification Search** D9/430-433, D9/414-418, 761; 229/105-106, 108, 108.1, 229/100, 112-113, 115-116, 162.1, 922, 229/938; 206/551, 746, 457, 784, 822
See application file for complete search history.

FIG. 3 is a bottom perspective view of a package formed through use of the package assembly unit of FIG. 1, illustrating the bottom and a plurality of sides of the package in an assembled position.

(56) **References Cited**

The broken lines shown in the drawing disclosure form no part of the claimed design.

U.S. PATENT DOCUMENTS

D288,903 S * 3/1987 Ware et al. D9/643

1 Claim, 3 Drawing Sheets

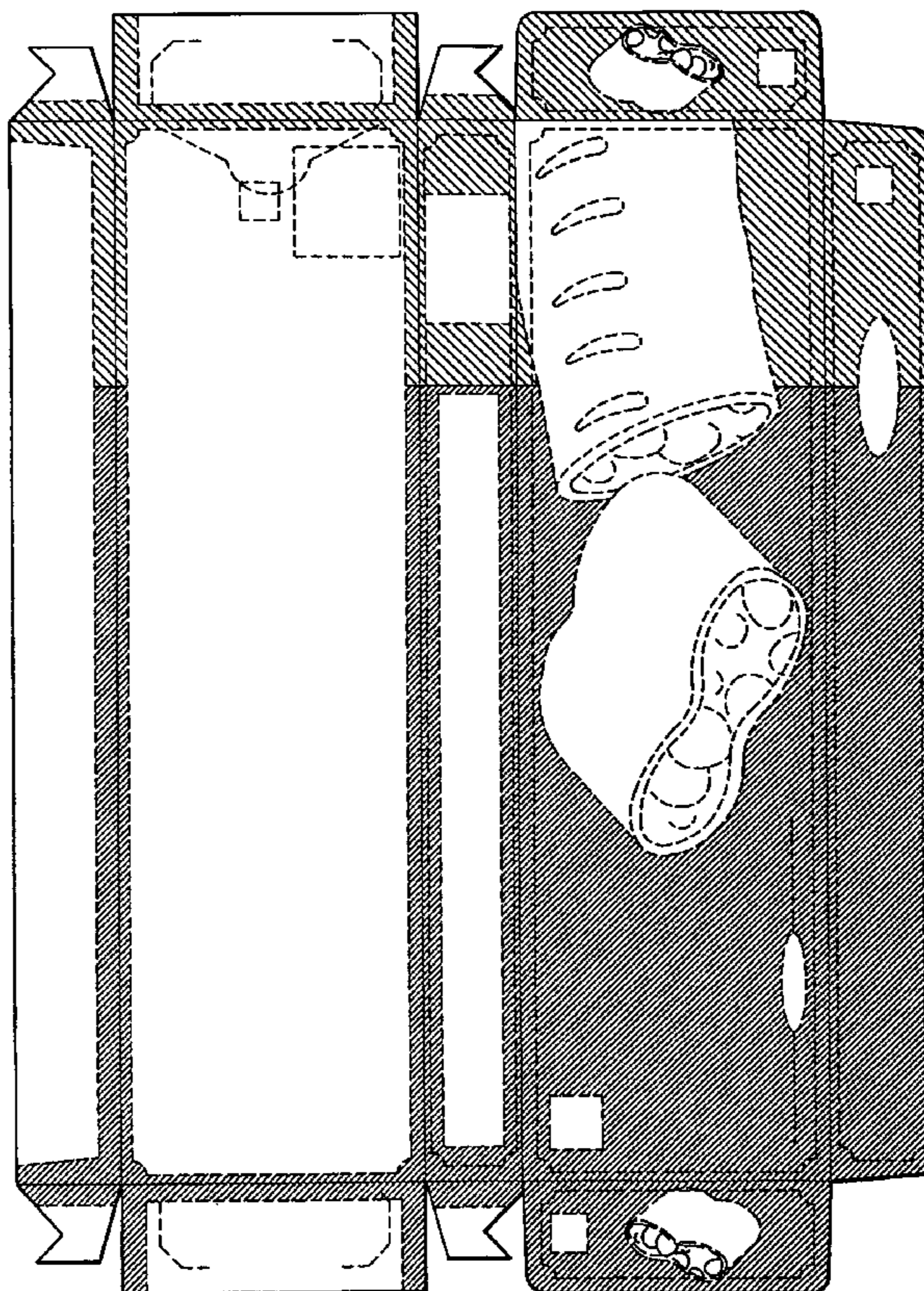
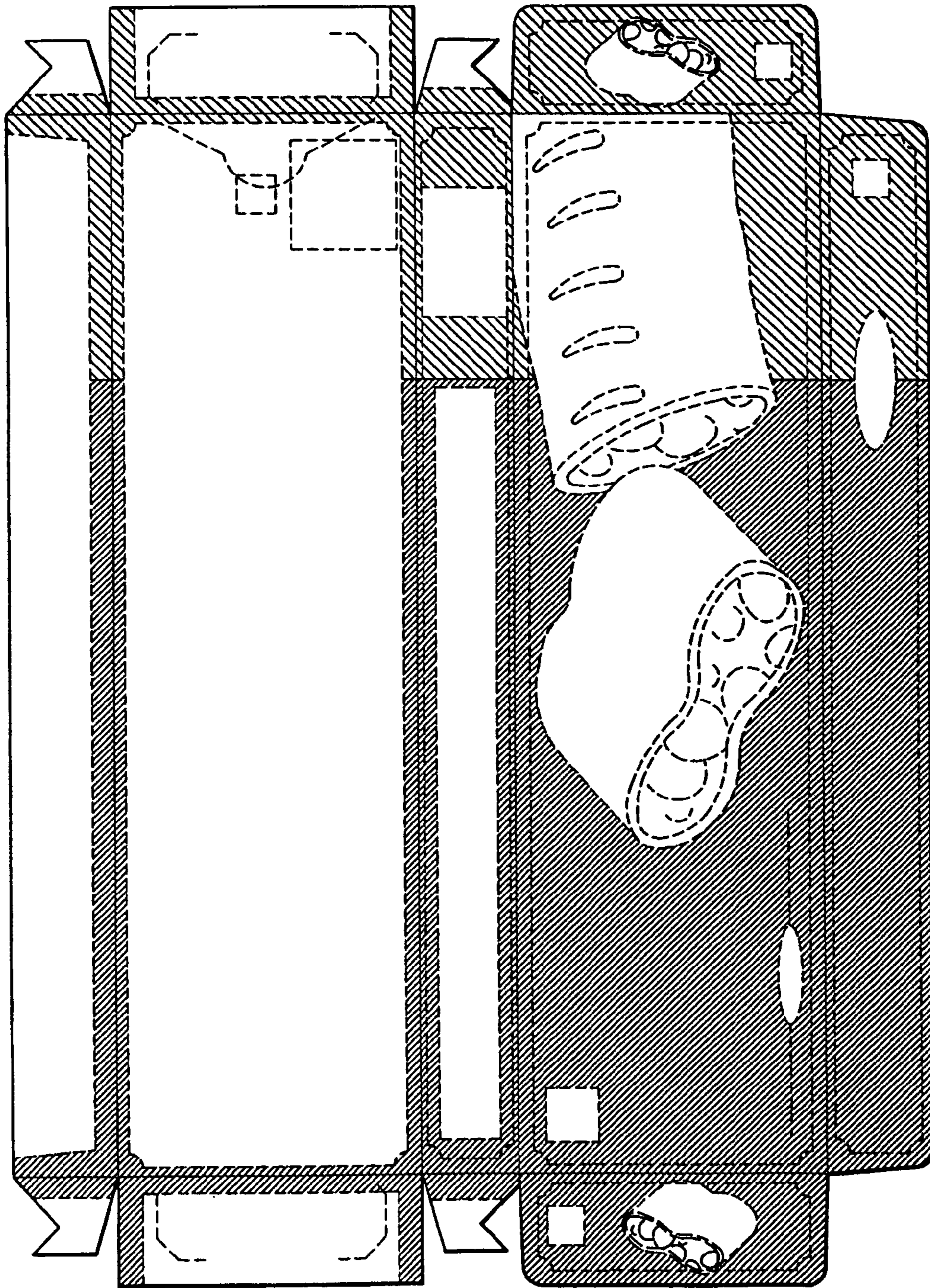


FIG. 1



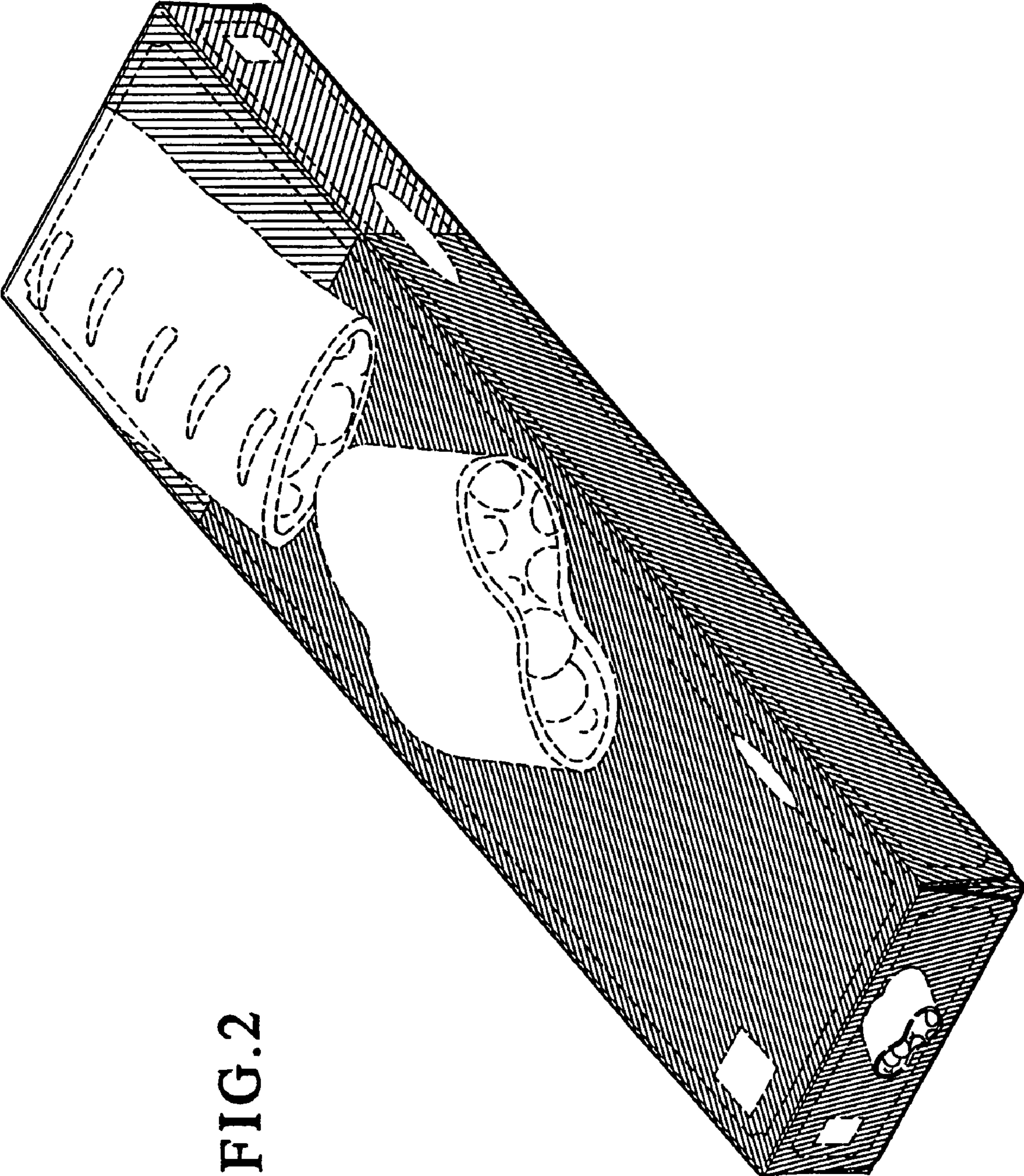


FIG. 2

FIG. 3

