



US00D554988S

(12) **United States Design Patent**
Sim

(10) **Patent No.:** **US D554,988 S**

(45) **Date of Patent:** **** Nov. 13, 2007**

(54) **FOOD CONTAINER**

(75) Inventor: **Victor Sim**, Irvine, CA (US)

(73) Assignee: **Solafide, Inc.**, Irvine, CA (US)

(**) Term: **14 Years**

(21) Appl. No.: **29/258,226**

(22) Filed: **Apr. 17, 2006**

(51) **LOC (8) Cl.** **09-03**

(52) **U.S. Cl.** **D9/425; D9/432**

(58) **Field of Classification Search** D9/414-432,
D9/748-762, 449, 456; D7/601-602, 629;
206/484-484.2, 518, 557, 459.1, 524.3; 220/287,
220/556, 241-2, 780-1, 350
See application file for complete search history.

(56) **References Cited**

U.S. PATENT DOCUMENTS

D194,560 S *	2/1963	Ringlen	D9/425
D195,375 S *	6/1963	Bostrom	D9/425
3,253,762 A *	5/1966	Gaunt	206/521.1
D224,587 S *	8/1972	Jewell	D9/425
D240,114 S *	6/1976	Martinelli	D7/629
D419,829 S *	2/2000	Wilson et al.	D7/629
D440,830 S *	4/2001	Tucker et al.	D7/629
D448,991 S *	10/2001	Zettle et al.	D9/425
D485,473 S *	1/2004	Dais et al.	D7/629

D485,755 S *	1/2004	Isler et al.	D9/425
D505,839 S *	6/2005	Stanos et al.	D7/629
D513,383 S *	1/2006	Glander et al.	D9/435

OTHER PUBLICATIONS

Digital photos of a product packaging under the mark "Nong Shim" which is in the market prior to the filing date of this application (Apr. 17, 2006).

* cited by examiner

Primary Examiner—Stella M. Reid

Assistant Examiner—Susan E Krakower

(74) *Attorney, Agent, or Firm*—Liu & Liu

(57) **CLAIM**

The ornamental design for a food container, as shown and described.

DESCRIPTION

FIG. 1 is a top perspective view of a food container showing my new design;

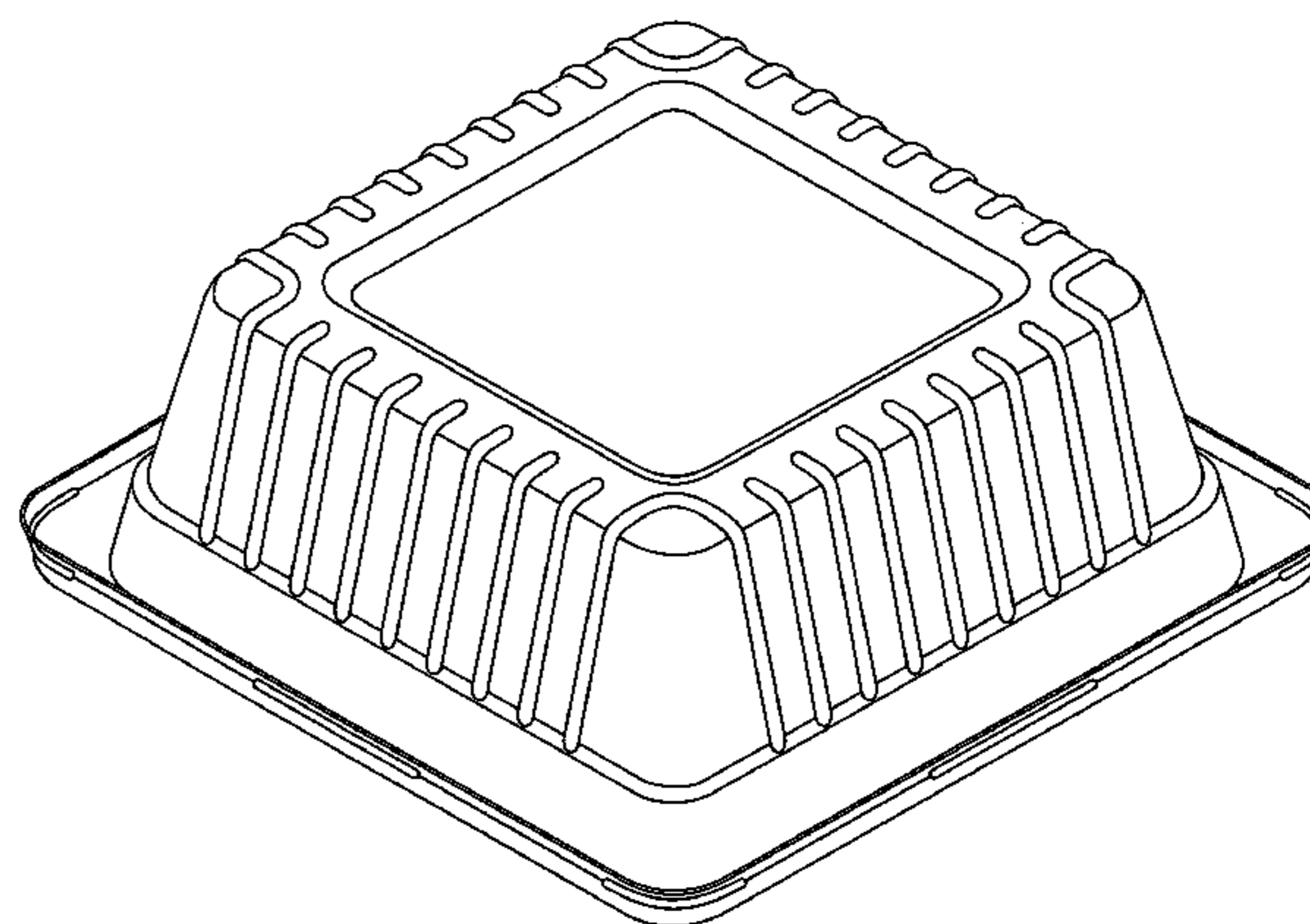
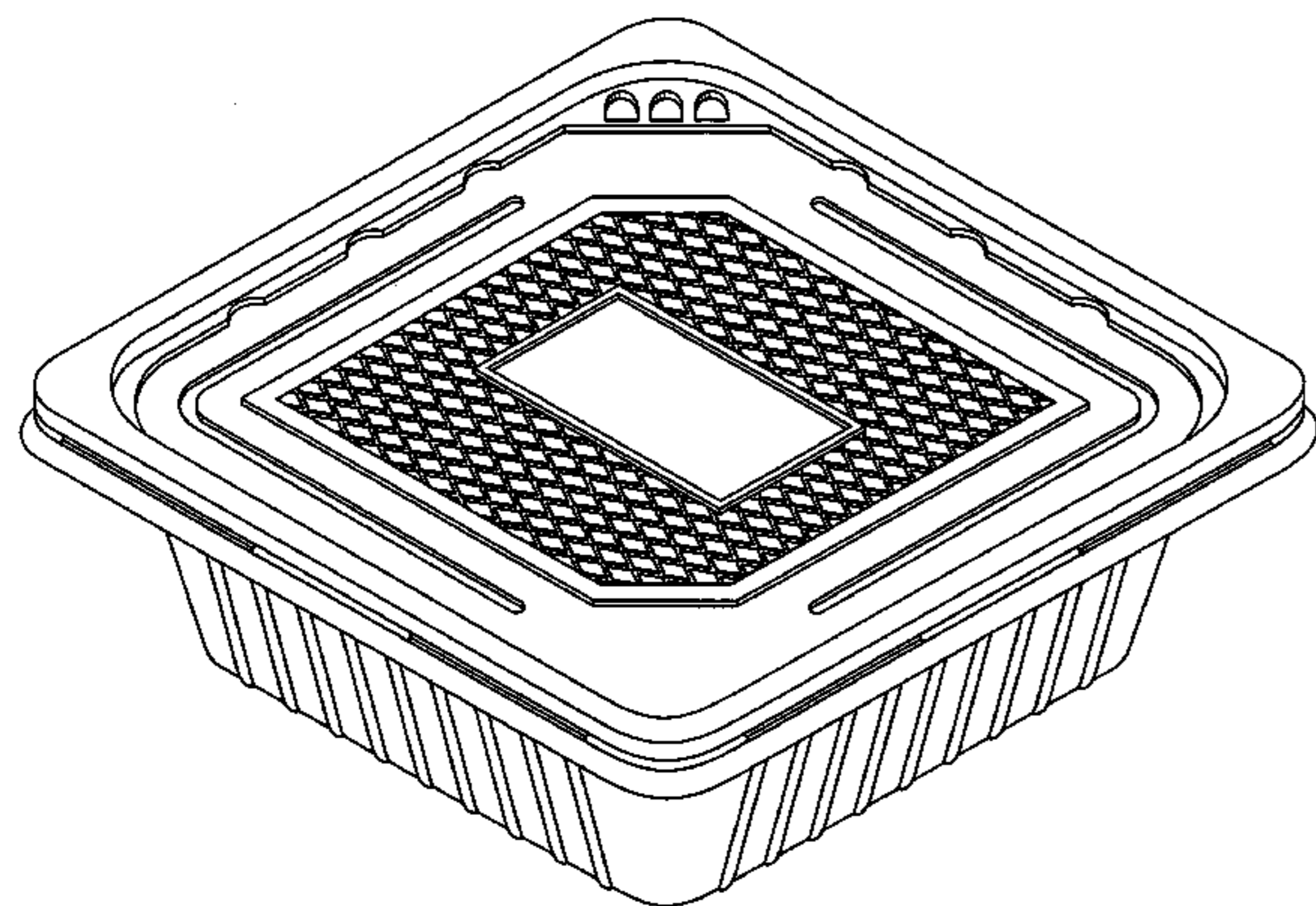
FIG. 2 is a bottom perspective view thereof;

FIG. 3 is a top plan view thereof;

FIG. 4 is a bottom plan view thereof; and,

FIG. 5 is a side view, all subsequent sides being exact replicas, thereof.

1 Claim, 5 Drawing Sheets



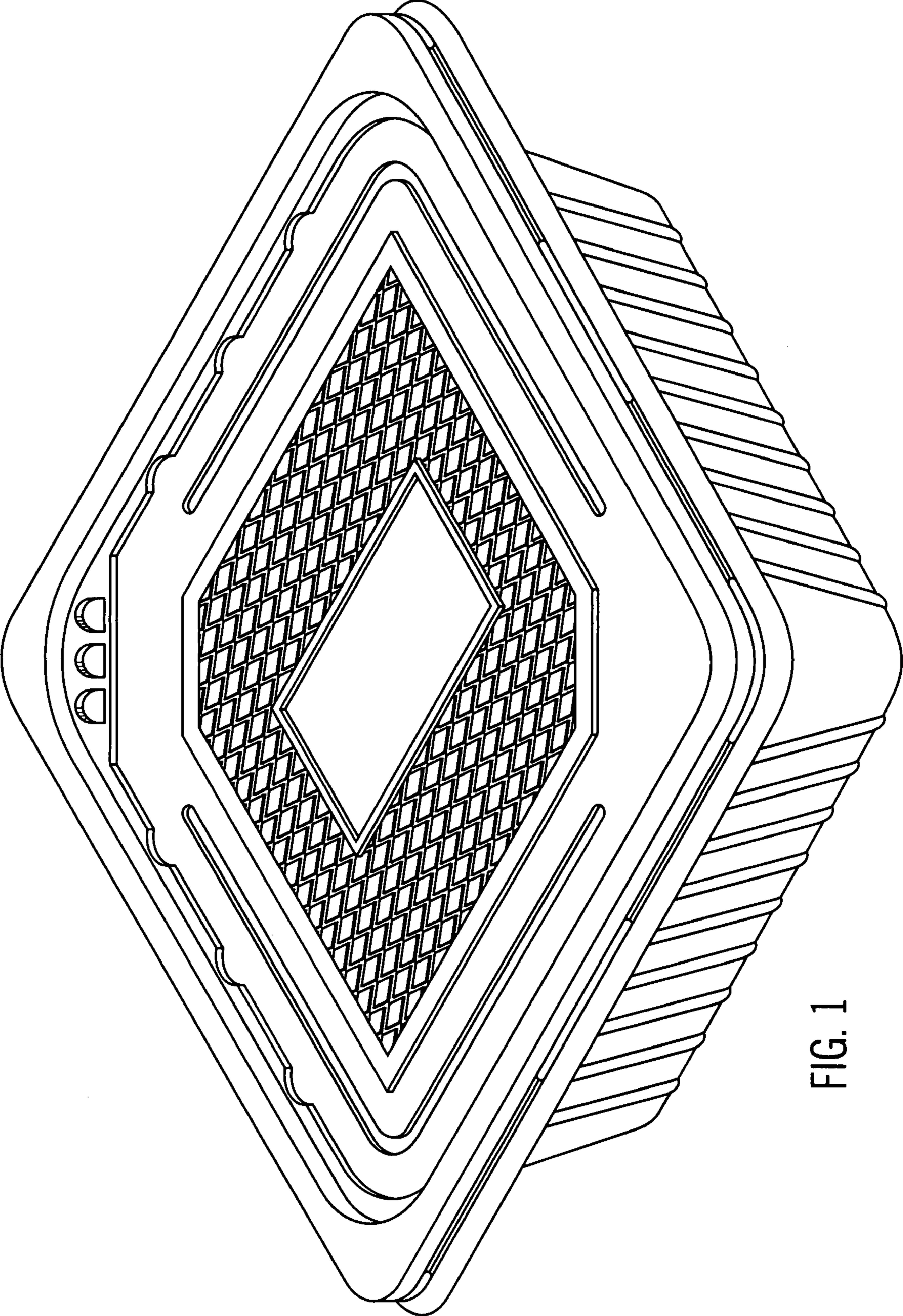


FIG. 1

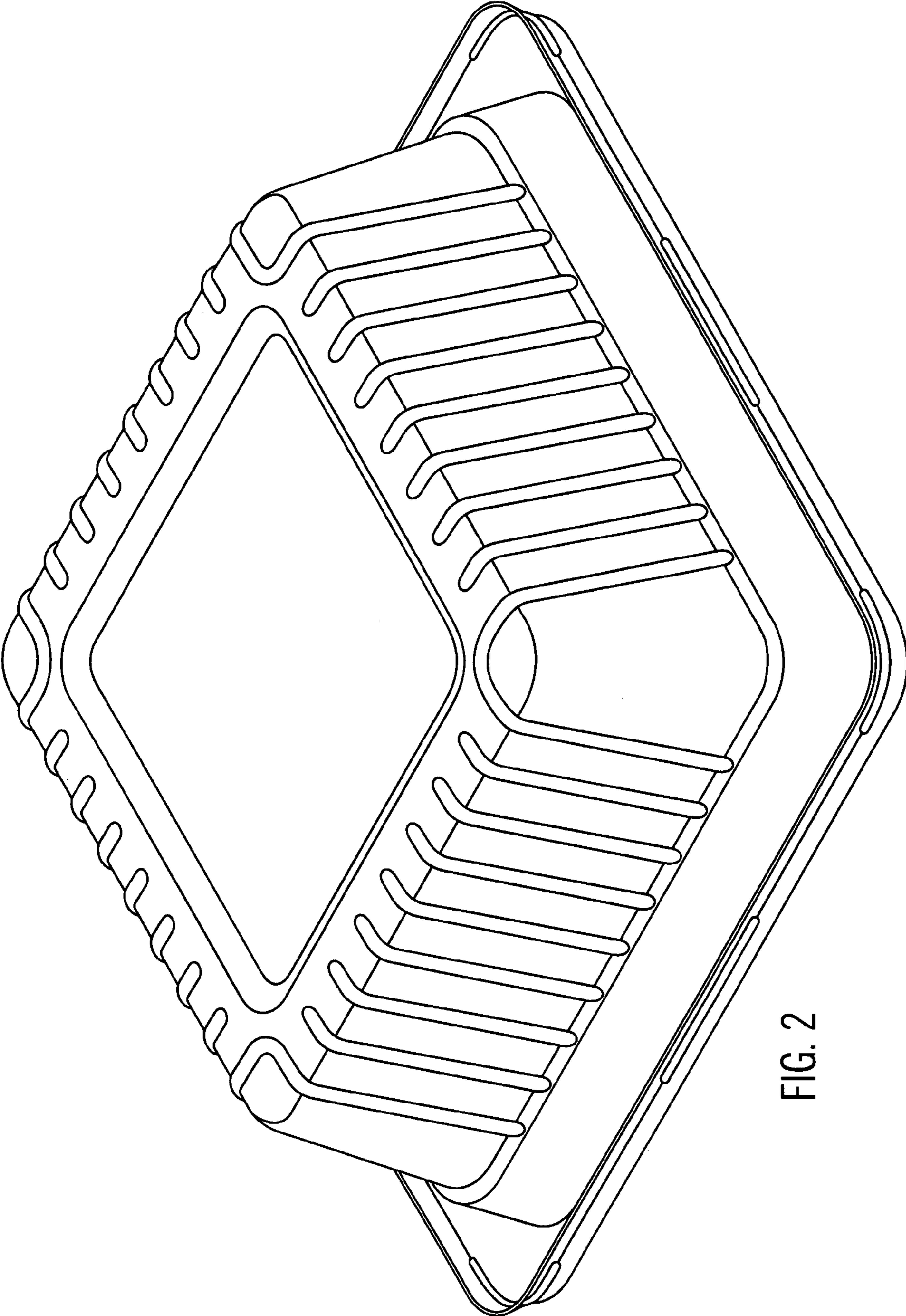


FIG. 2

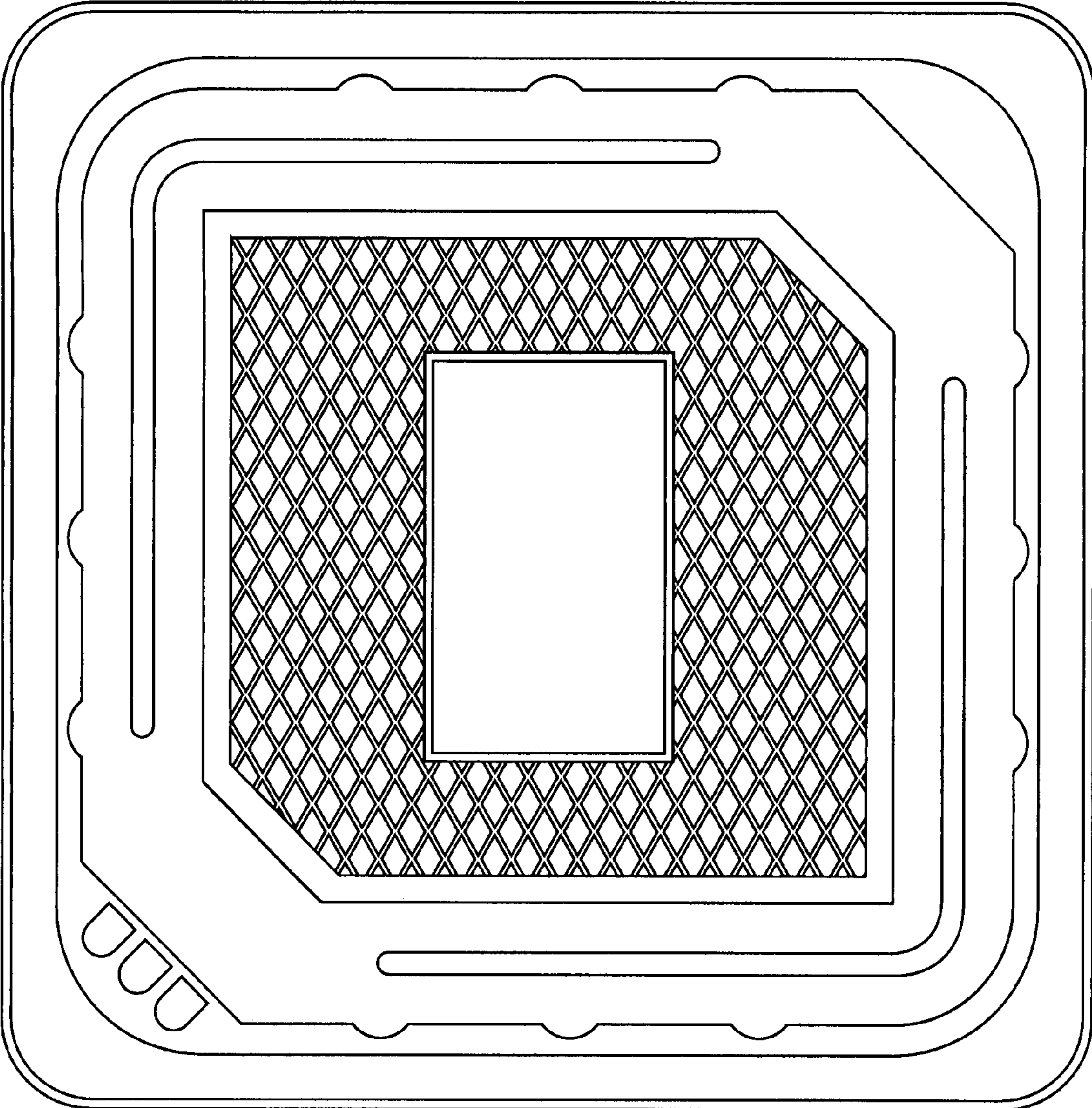


FIG. 3

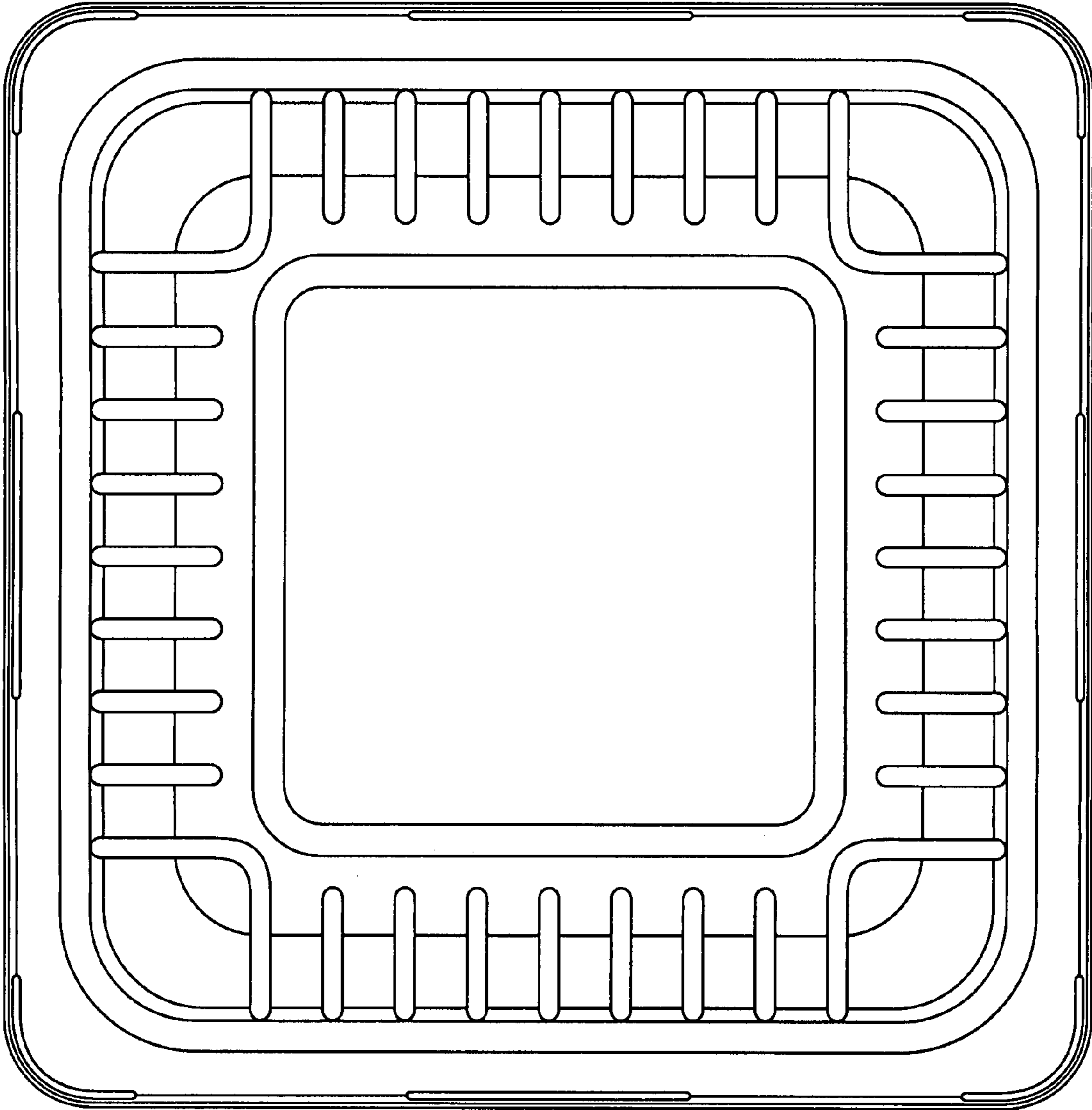


FIG. 4

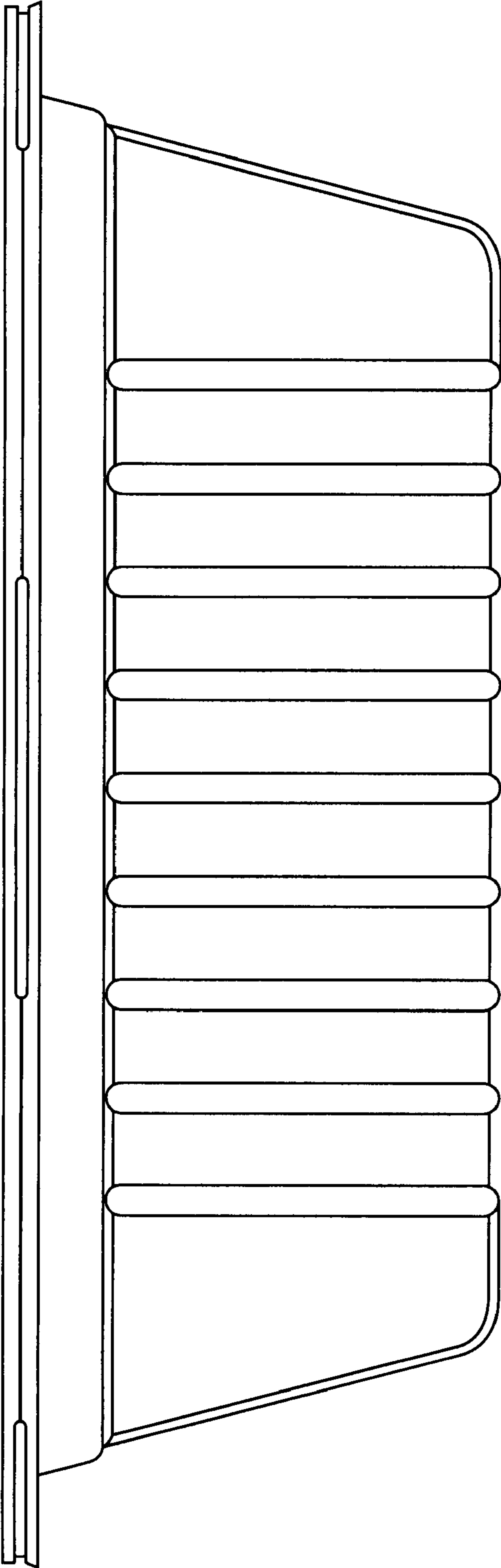


FIG. 5