



US00D554982S

(12) **United States Design Patent**
Wenck

(10) **Patent No.:** **US D554,982 S**

(45) **Date of Patent:** **** Nov. 13, 2007**

(54) **JEWELRY BAR**

(76) **Inventor:** **Mary J. Wenck**, 4655 Tower Hill La.,
#2416, Sarasota, FL (US) 34238

(**) **Term:** **14 Years**

(21) **Appl. No.:** **29/272,929**

(22) **Filed:** **Feb. 21, 2007**

(51) **LOC (8) Cl.** **08-05**

(52) **U.S. Cl.** **D8/376**

(58) **Field of Classification Search** D8/315,
D8/368, 375, 376, 377, 378; D6/313, 515,
D6/550, 570, 580; D3/260; D12/220; D13/155;
D25/119; 160/32, 38, 39, 330; 211/105.1,
211/105.3; 168/1 V; 248/263
See application file for complete search history.

(56) **References Cited**

U.S. PATENT DOCUMENTS

D243,055	S *	1/1977	Blumberg	D6/315
4,283,035	A *	8/1981	Ojembarrena et al.	248/263
D372,391	S *	8/1996	Anniballi	D6/570
D398,465	S *	9/1998	Wieder	D6/513
6,145,677	A *	11/2000	Corniel	211/105.1
6,213,437	B1 *	4/2001	Robbins	248/261
6,216,889	B1 *	4/2001	Chang	211/105.1
D506,920	S *	7/2005	Taylor	D8/376
2006/0021722	A1 *	2/2006	Nien	160/330

2006/0060314	A1 *	3/2006	Battista	160/330
2006/0260769	A1 *	11/2006	Nien	160/330

OTHER PUBLICATIONS

Ward's catalog No. 109, Fall & Winter 1928-1929, p. 521.*

* cited by examiner

Primary Examiner—Gary D. Watson

Assistant Examiner—Barbara B Lohr

(74) *Attorney, Agent, or Firm*—Charles J. Prescott

(57) **CLAIM**

The ornamental design for a jewelry bar, as shown and described.

DESCRIPTION

FIG. 1 is a perspective view of a jewelry bar showing my new design.

FIG. 2 is a front elevation view of FIG. 1.

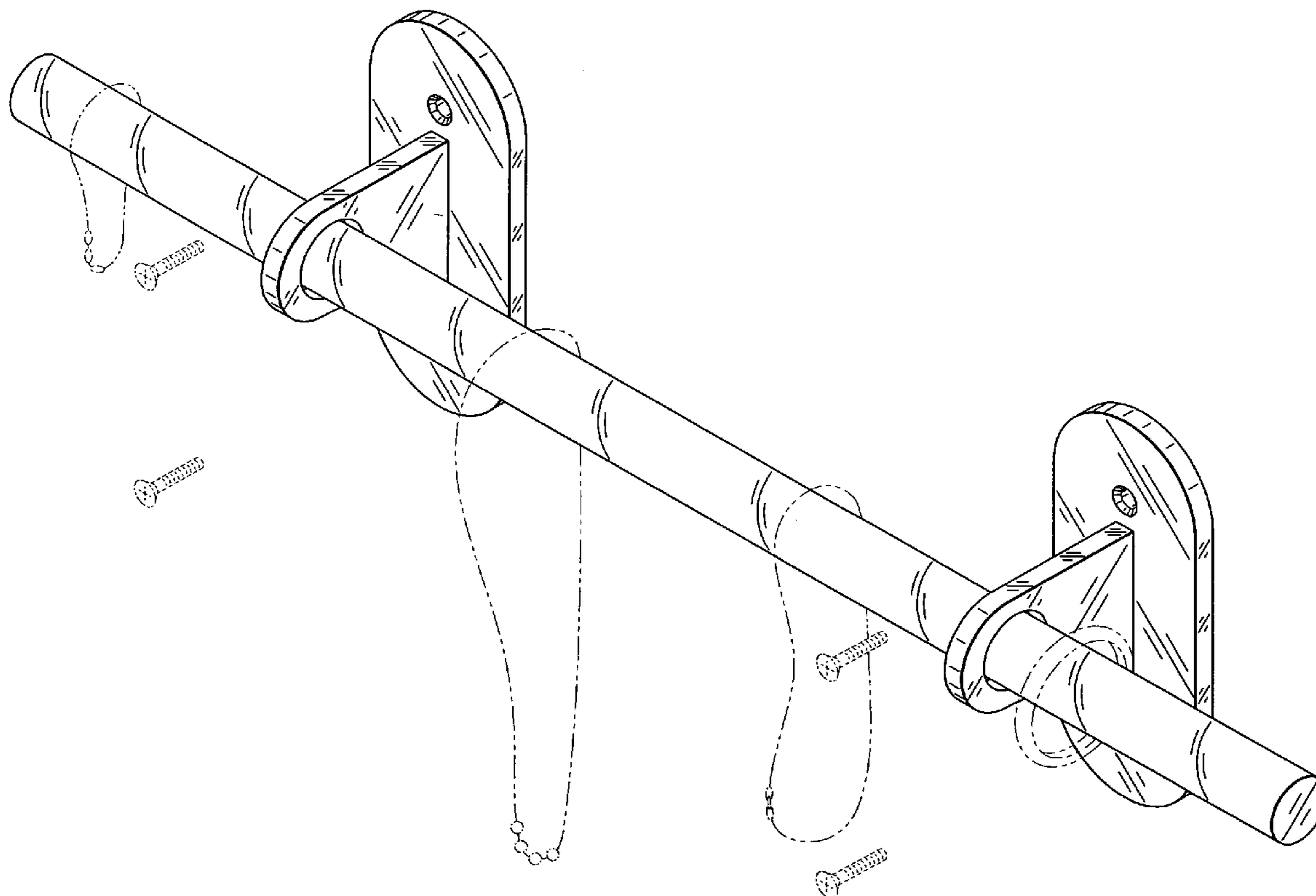
FIG. 3 is a right end elevation view of FIG. 2, the left end elevation view being a mirror image.

FIG. 4 is a top plan view of FIG. 2; and,

FIG. 5 is a bottom plan view of FIG. 2.

The broken lines showing jewelry and attachment screws in FIG. 1 are for environmental purposes only and form no part of the claimed design.

1 Claim, 3 Drawing Sheets



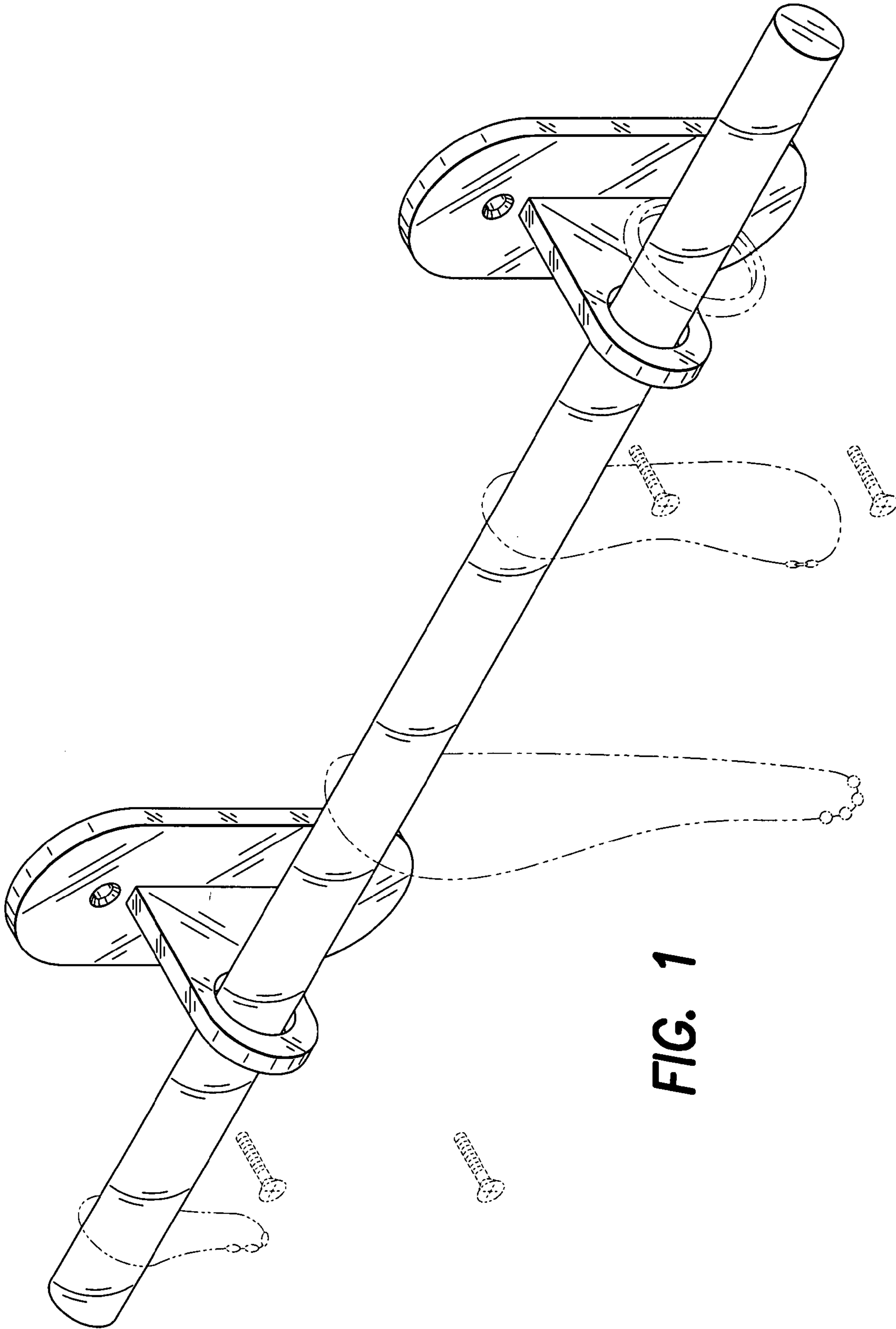


FIG. 1

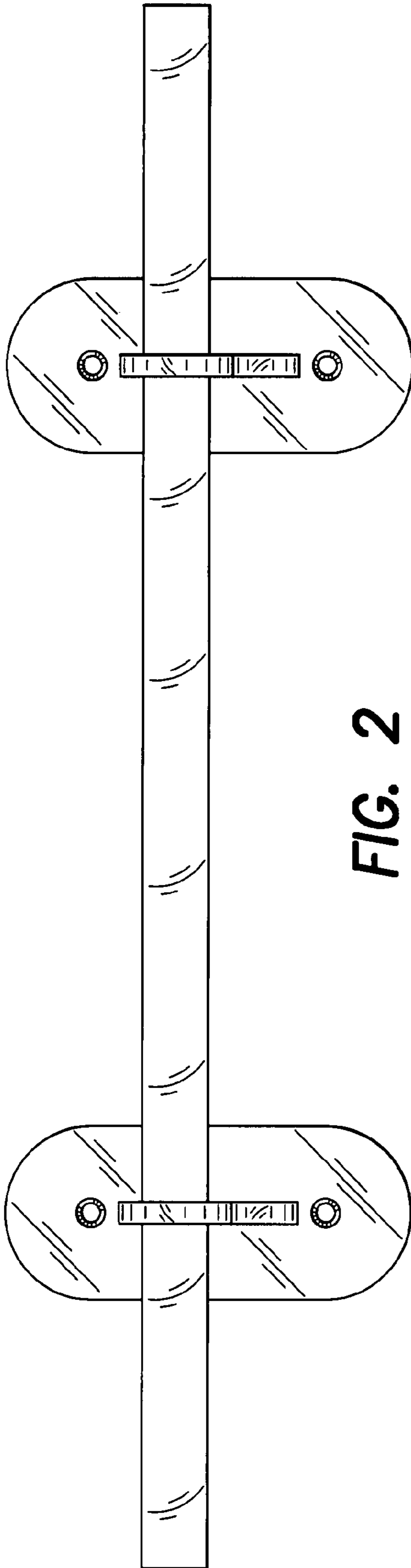


FIG. 2

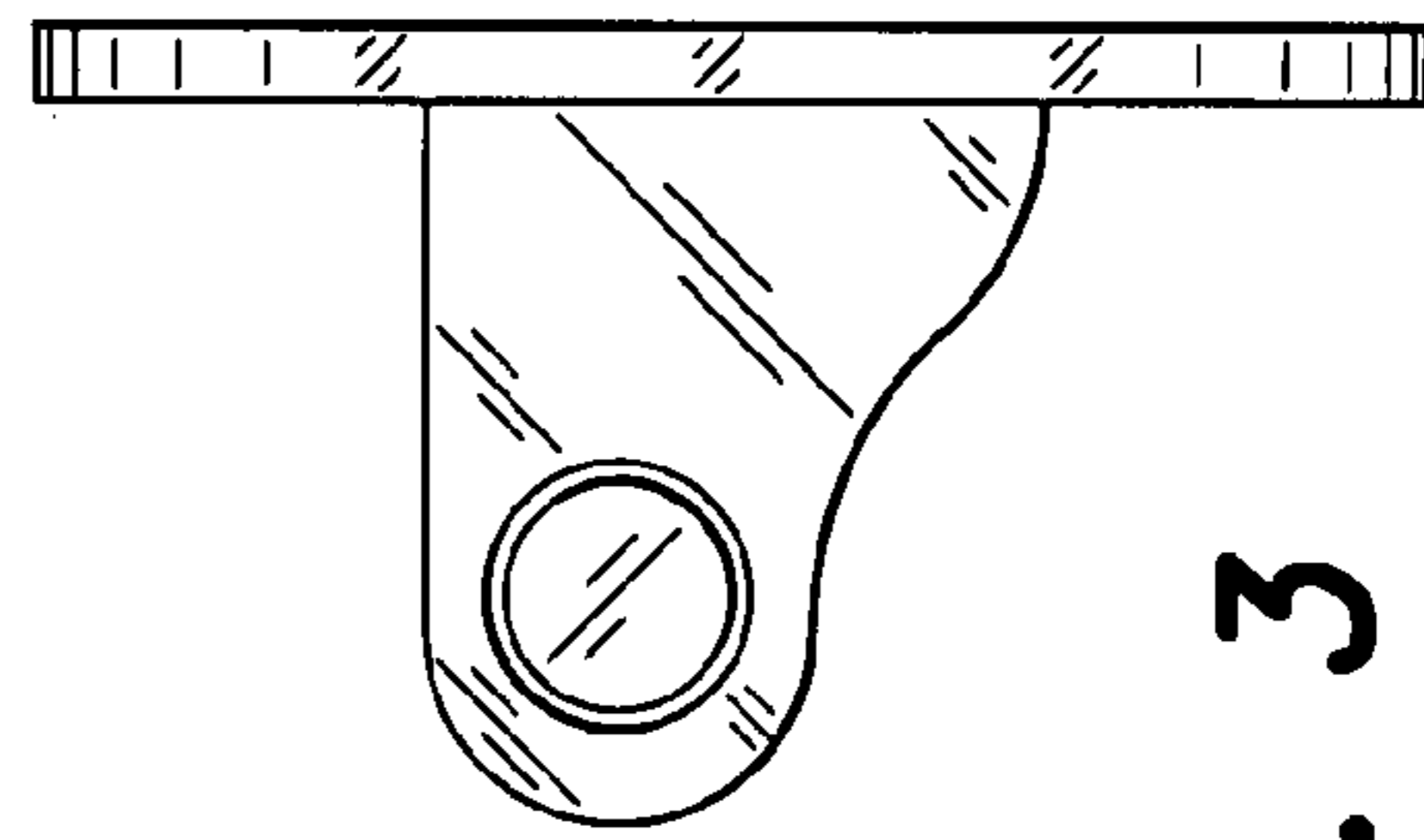


FIG. 3

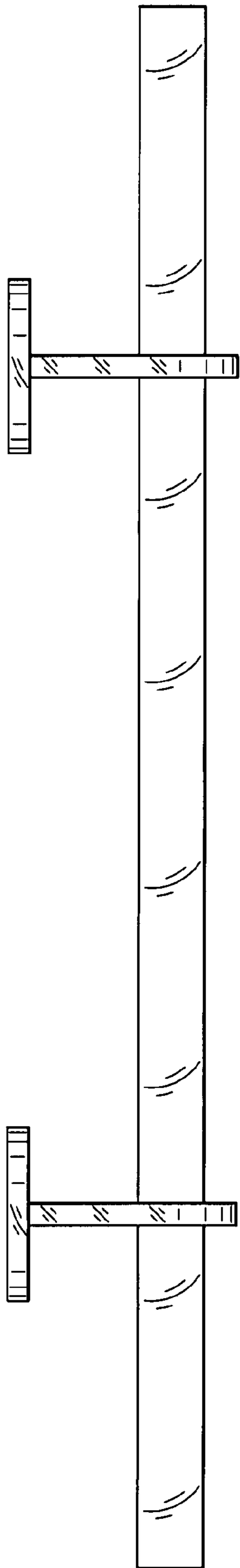


FIG. 4

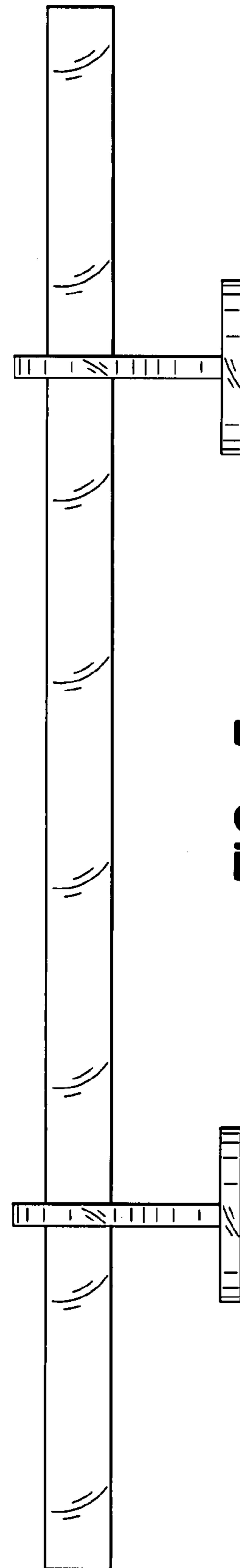


FIG. 5