



US00D554978S

(12) **United States Design Patent**
Radke

(10) **Patent No.:** **US D554,978 S**

(45) **Date of Patent:** **** Nov. 13, 2007**

(54) **MOUNTING MEMBER FOR DRAWER SLIDE SYSTEM**

(76) **Inventor:** **Todd F. Radke**, 418 Broadway, Chico, CA (US) 95928

(**) **Term:** **14 Years**

(21) **Appl. No.:** **29/275,863**

(22) **Filed:** **Jan. 8, 2007**

Related U.S. Application Data

(62) Division of application No. 11/421,296, filed on May 31, 2006, now abandoned.

(51) **LOC (8) Cl.** **08-05**

(52) **U.S. Cl.** **D8/354**

(58) **Field of Classification Search** D8/499, D8/354; 312/334.39, 323; 211/26
See application file for complete search history.

(56) **References Cited**

U.S. PATENT DOCUMENTS

- 4,147,393 A * 4/1979 Nelson et al. 384/22
- 6,142,596 A * 11/2000 Carson 312/334.39
- D438,448 S * 3/2001 Batting et al. D8/354
- 6,305,556 B1 * 10/2001 Mayer 211/26

- 6,655,533 B2 * 12/2003 Guebre-Tsadik 211/26
- 6,669,029 B1 * 12/2003 Beane 211/26
- 6,702,124 B2 * 3/2004 Lauchner et al. 211/26
- 6,736,277 B2 * 5/2004 Lauchner et al. 211/26
- 6,840,388 B2 * 1/2005 Mayer 211/26
- 6,974,037 B2 * 12/2005 Haney 211/26

* cited by examiner

Primary Examiner—Holly H. Baynham

(74) *Attorney, Agent, or Firm*—William W. Bodnar

(57) **CLAIM**

What is claimed is the ornamental design for a mounting member for a drawer slide system, as shown and described.

DESCRIPTION

FIG. 1 is a front perspective view of a mounting member for drawer slide showing the design.

FIG. 2 is a front view thereof;

FIG. 3 is a rear view thereof;

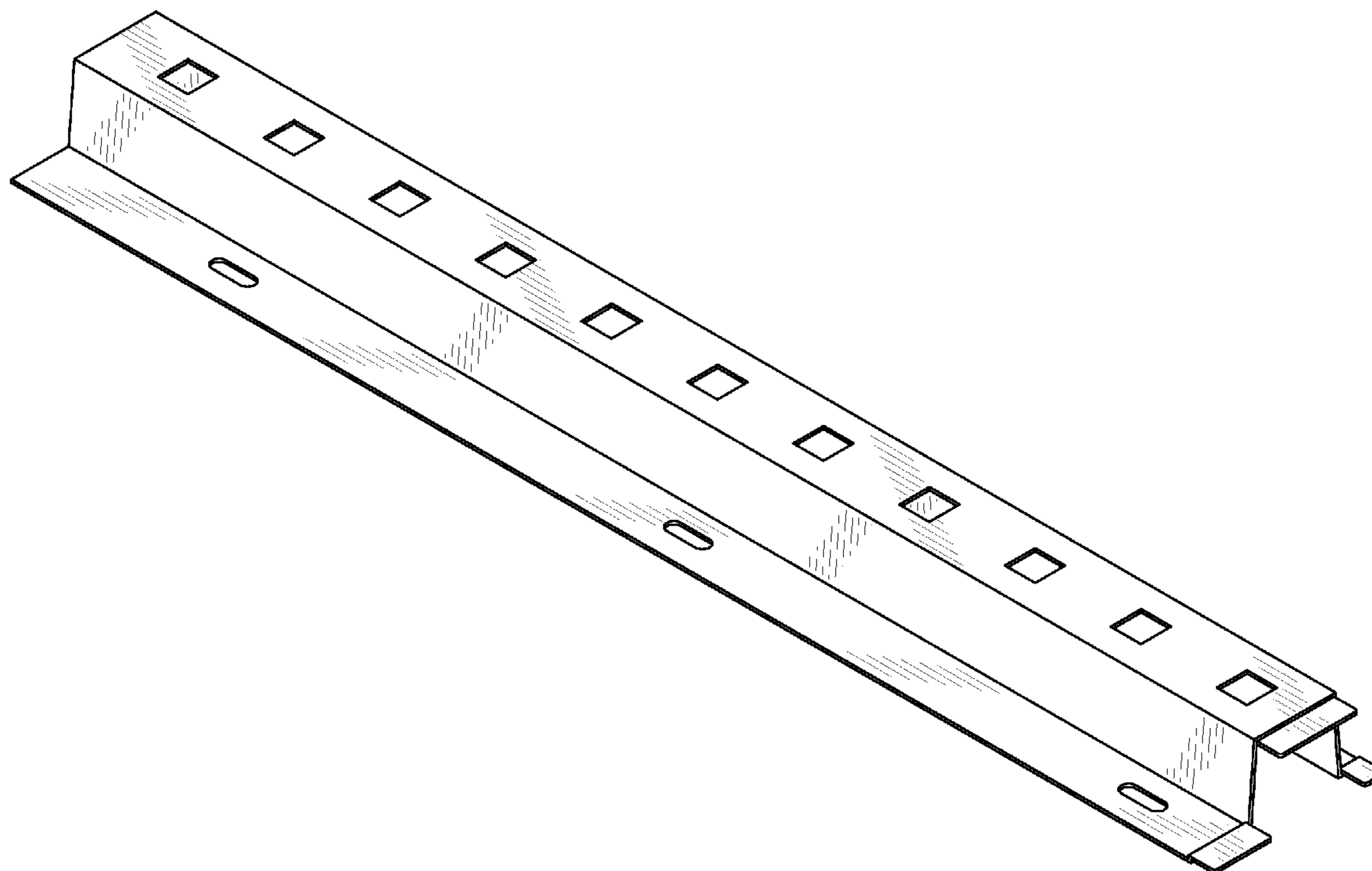
FIG. 4 is a side view thereof;

FIG. 5 is an opposite side view thereof;

FIG. 6 is a top view thereof; and,

FIG. 7 is a bottom view thereof.

1 Claim, 4 Drawing Sheets



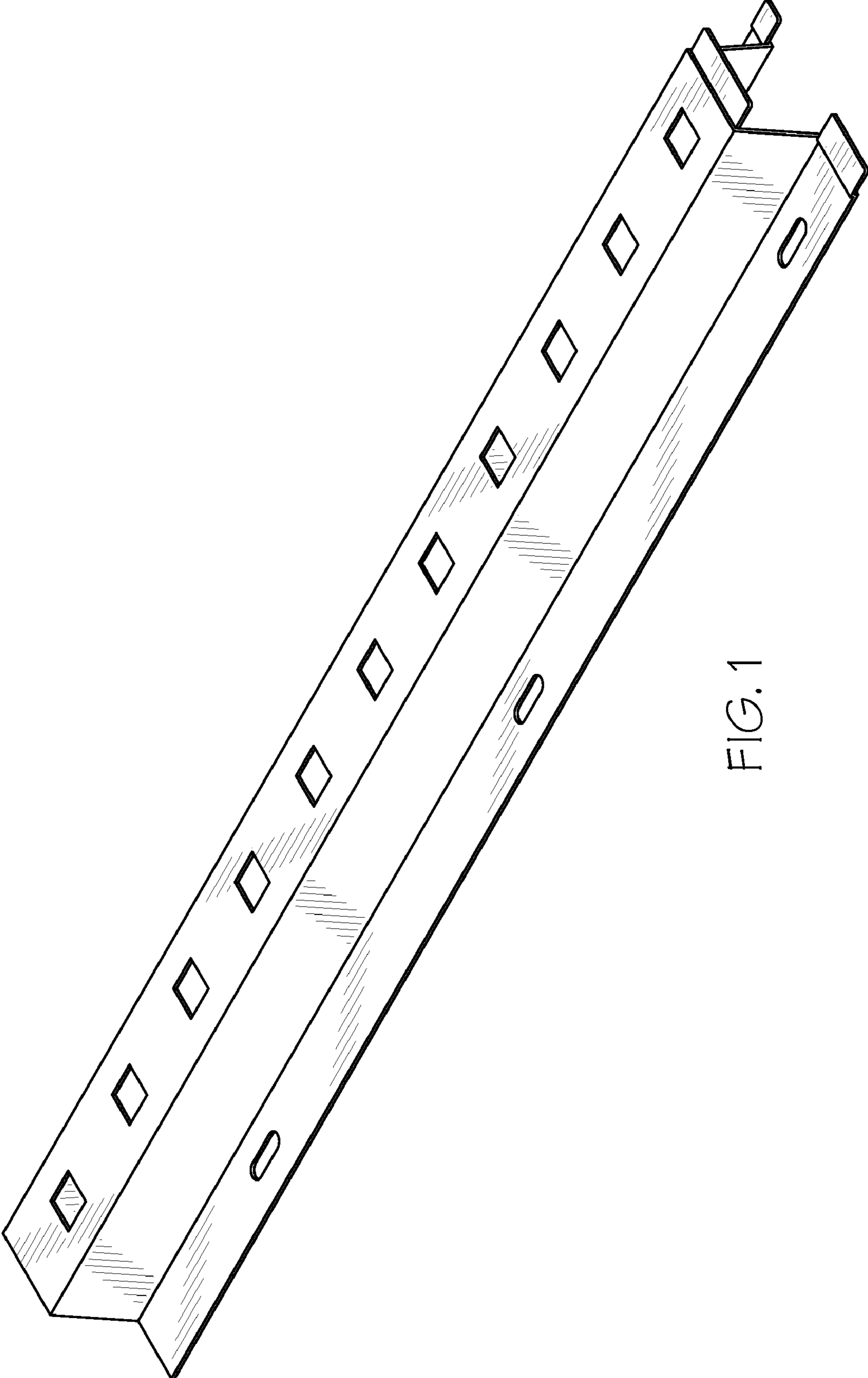


FIG. 1

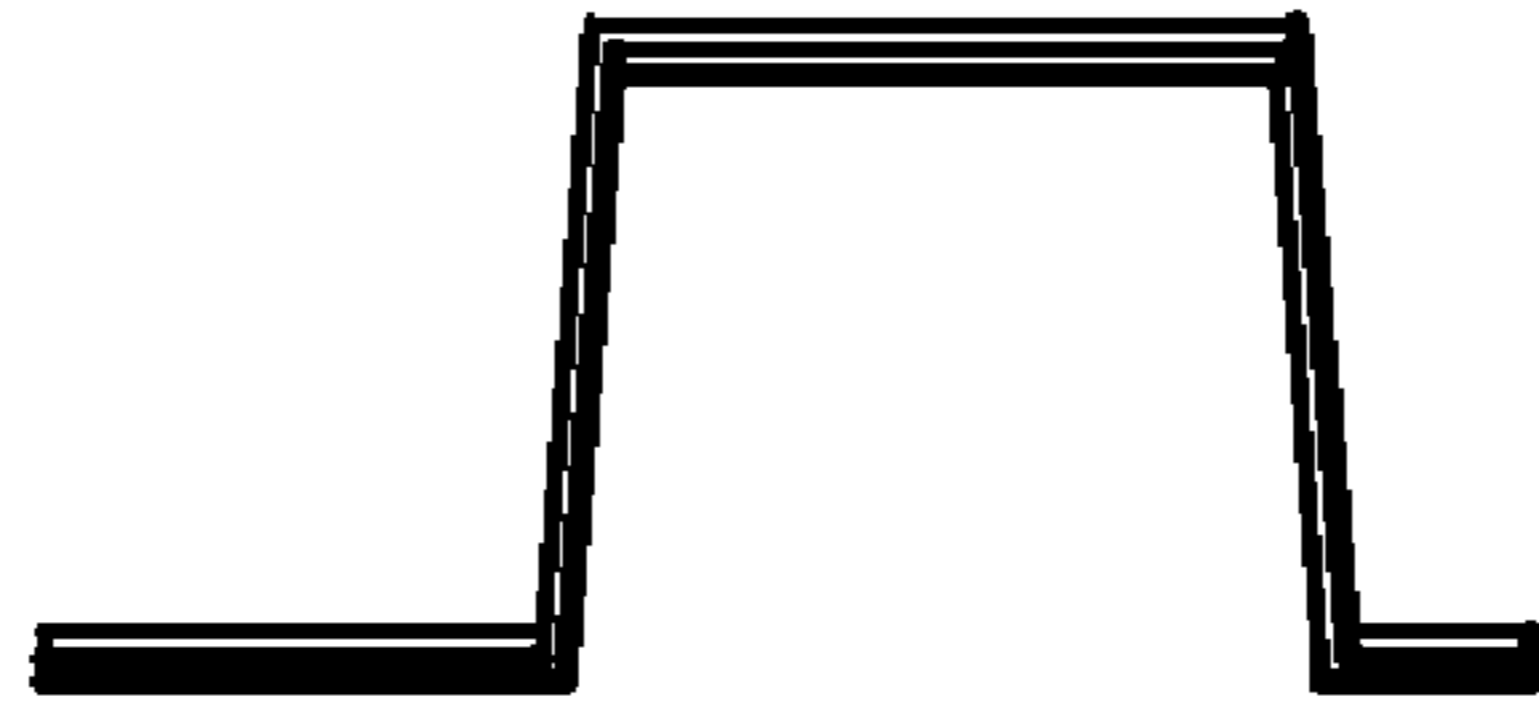


FIG. 2

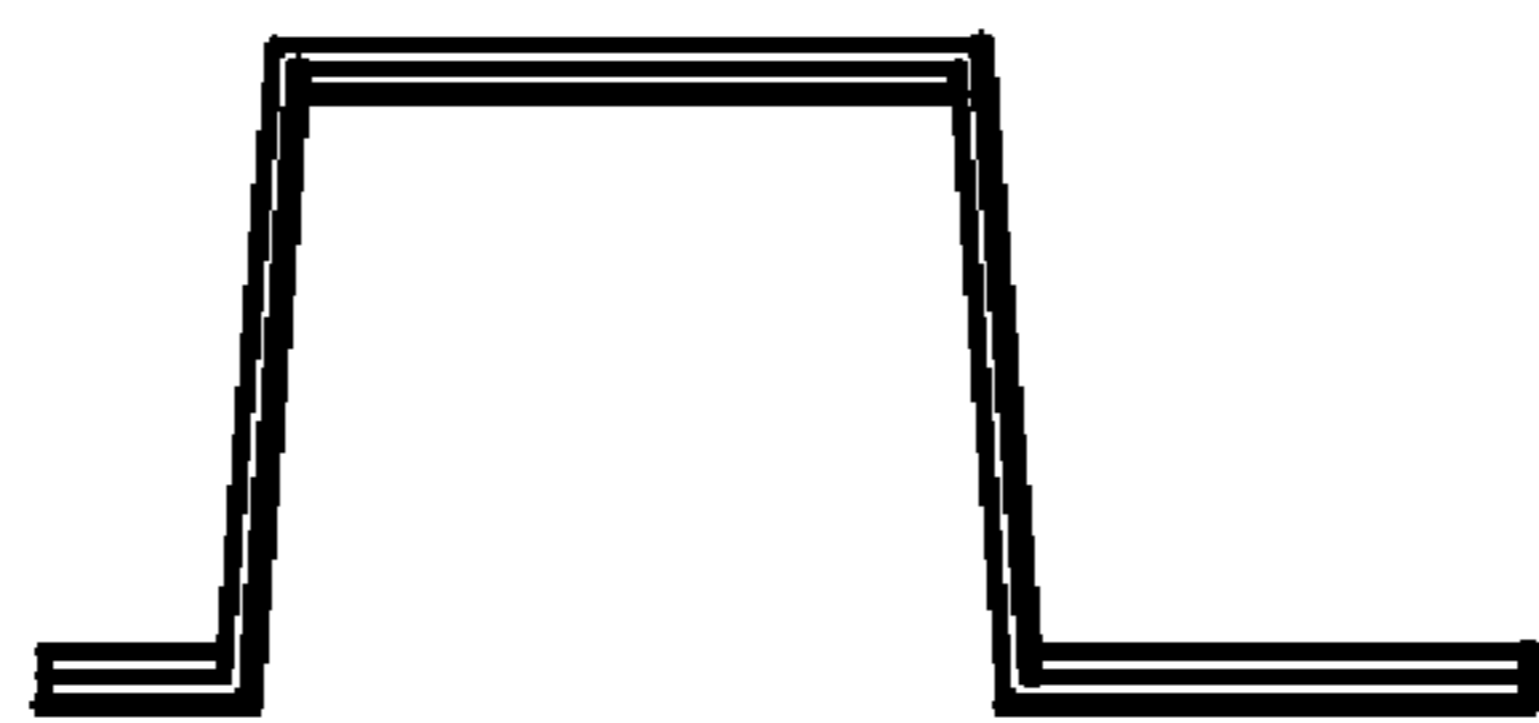


FIG. 3

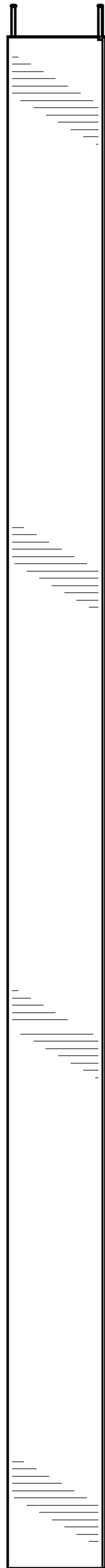


FIG. 4



FIG. 5

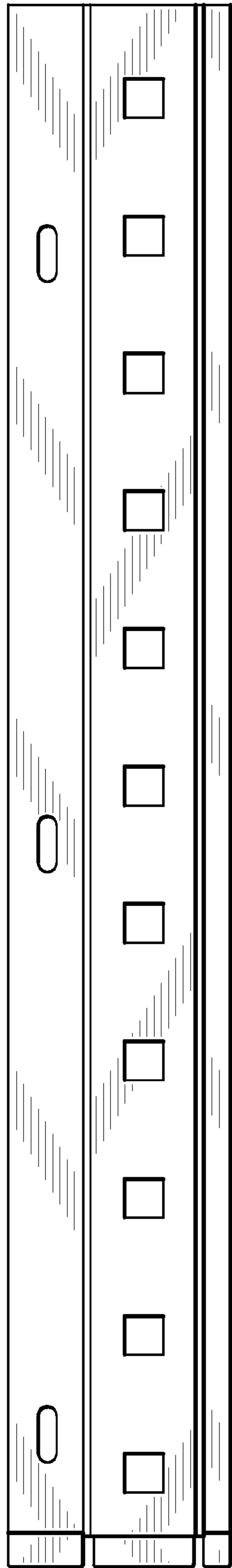


FIG. 6

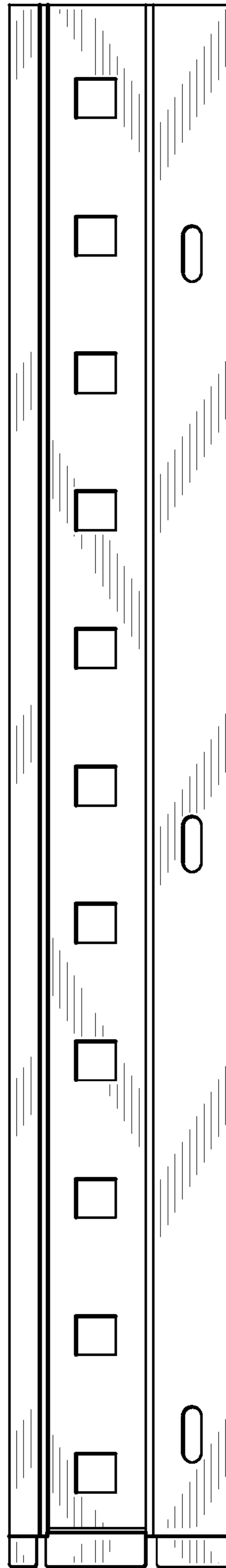


FIG. 7