



US00D554975S

(12) **United States Design Patent**  
**Kimura**

(10) **Patent No.:** **US D554,975 S**

(45) **Date of Patent:** **\*\* Nov. 13, 2007**

(54) **MOUNTING ADAPTER FOR LASER RECEIVER**

(74) *Attorney, Agent, or Firm*—Vedder Price Kaufman & Kammholz

(75) Inventor: **Masaru Kimura**, Osaka (JP)

(57) **CLAIM**

(73) Assignee: **Senshin Industry Co., Ltd.**, Osaka (JP)

The ornamental design for a mounting adapter for laser receiver, as shown and described.

(\*\*) Term: **14 Years**

(21) Appl. No.: **29/243,665**

**DESCRIPTION**

(22) Filed: **Nov. 29, 2005**

(51) **LOC (8) Cl.** ..... **08-05**

(52) **U.S. Cl.** ..... **D8/354**

(58) **Field of Classification Search** ..... D8/354;  
248/274.1, 284.1, 205.1

See application file for complete search history.

FIG. 1 is a front view of a mounting adapter for laser receiver showing my new design;

FIG. 2 is a rear view of thereof;

FIG. 3 is a plan view of thereof;

FIG. 4 is a bottom view of thereof;

FIG. 5 is a left side view of thereof;

FIG. 6 is a right side view of thereof;

FIG. 7 is a perspective view of thereof; and,

FIG. 8 is a view showing my new design in use.

(56) **References Cited**

**U.S. PATENT DOCUMENTS**

5,138,725 A \* 8/1992 Fernstrum, Jr. .... 4/393

5,175,895 A \* 1/1993 Fike et al. .... 4/393

D524,716 S \* 7/2006 Hill ..... D12/317

The broken line showing of a partial pipe is included for the purpose of illustrating environment and forms no part of the claimed design.

\* cited by examiner

*Primary Examiner*—Holly H. Baynham

**1 Claim, 5 Drawing Sheets**

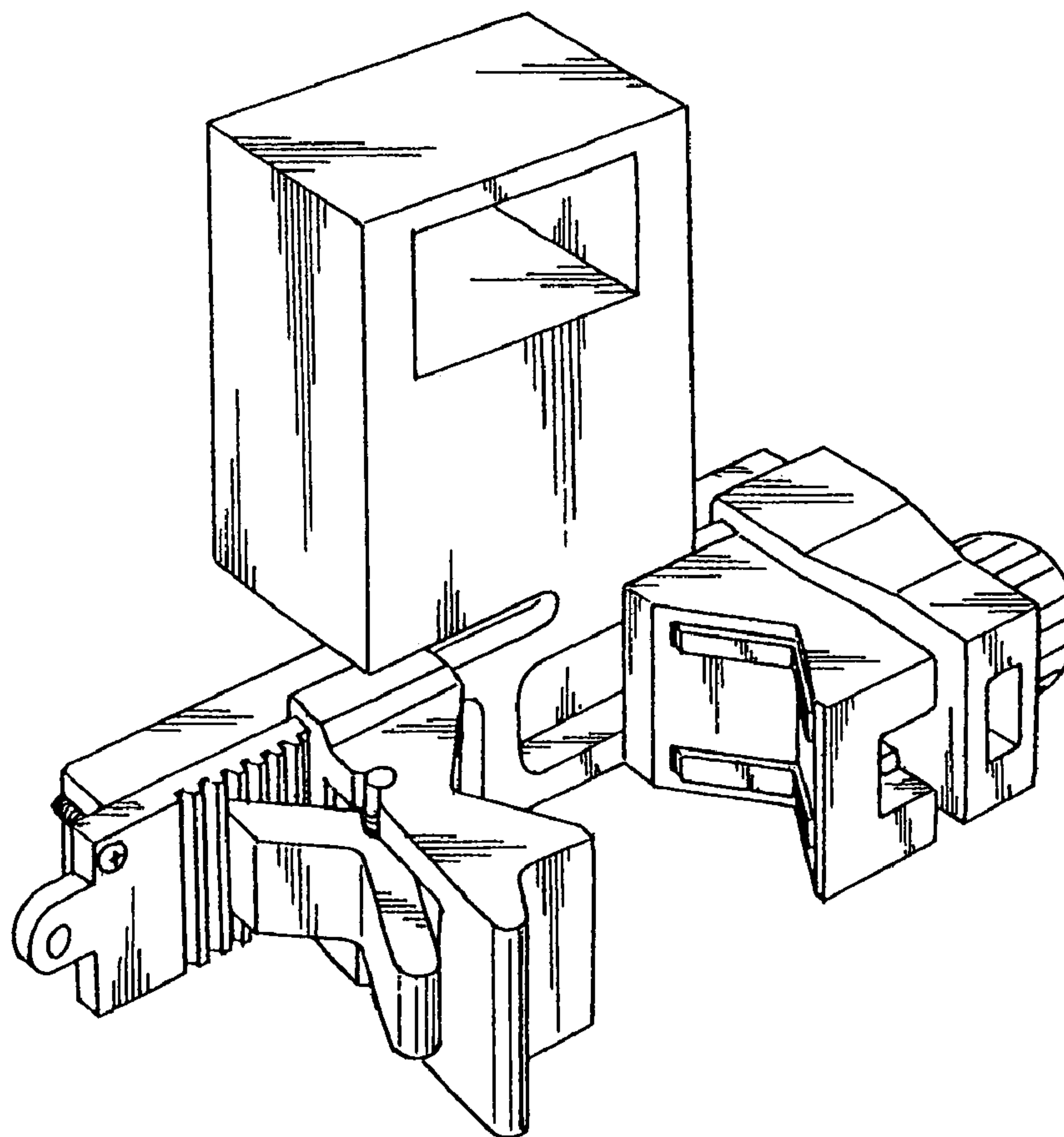


FIG. 1

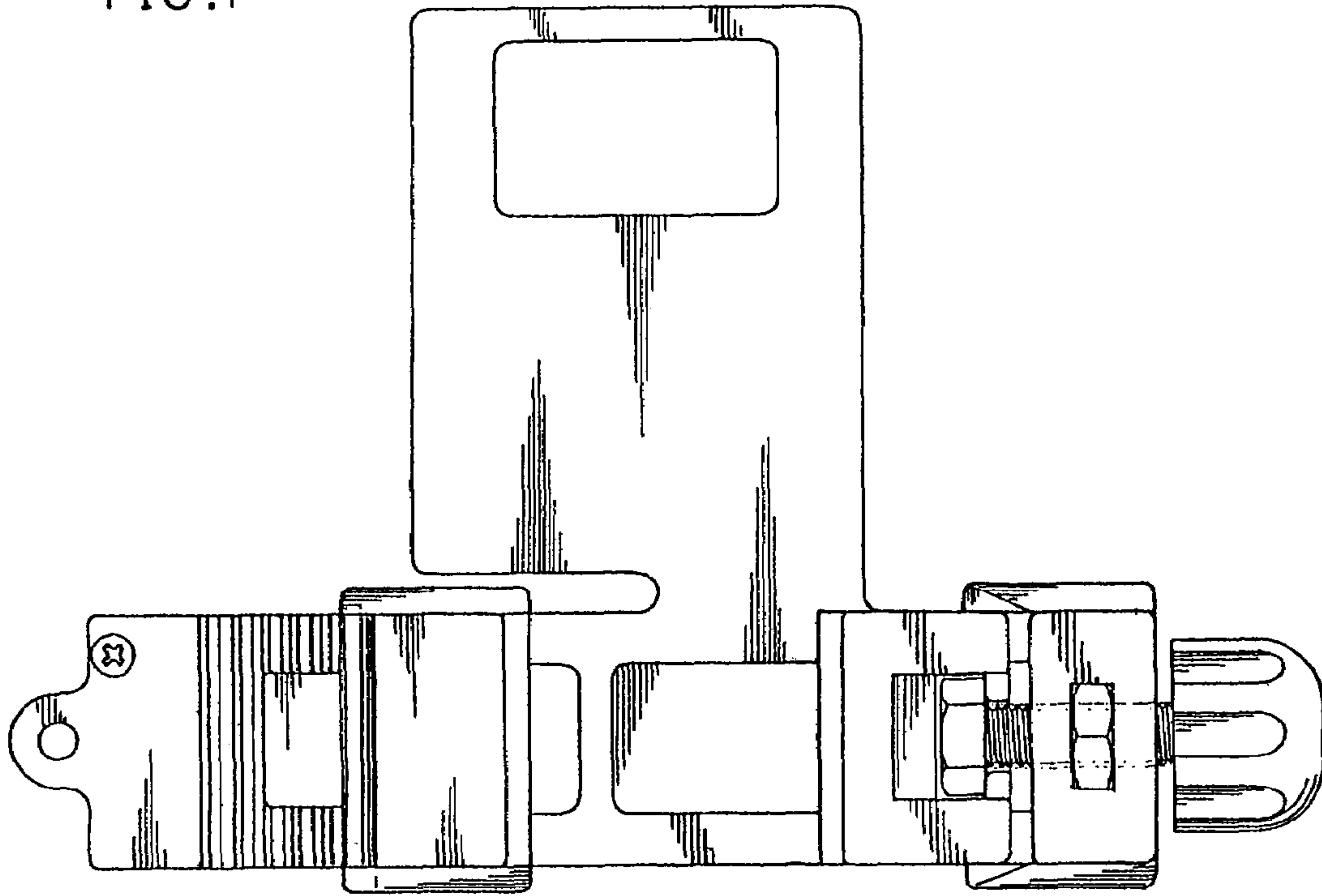


FIG. 2

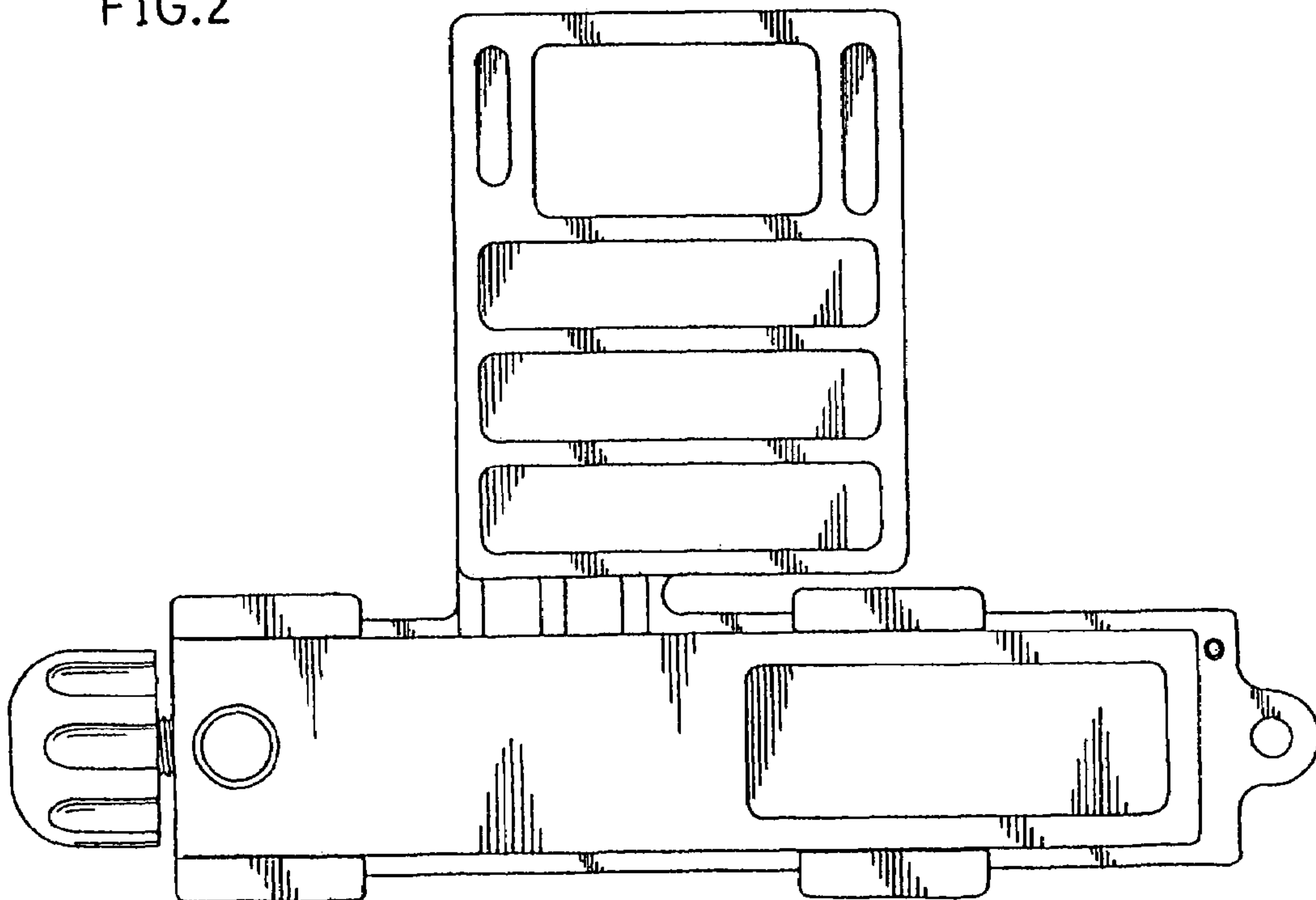


FIG.3

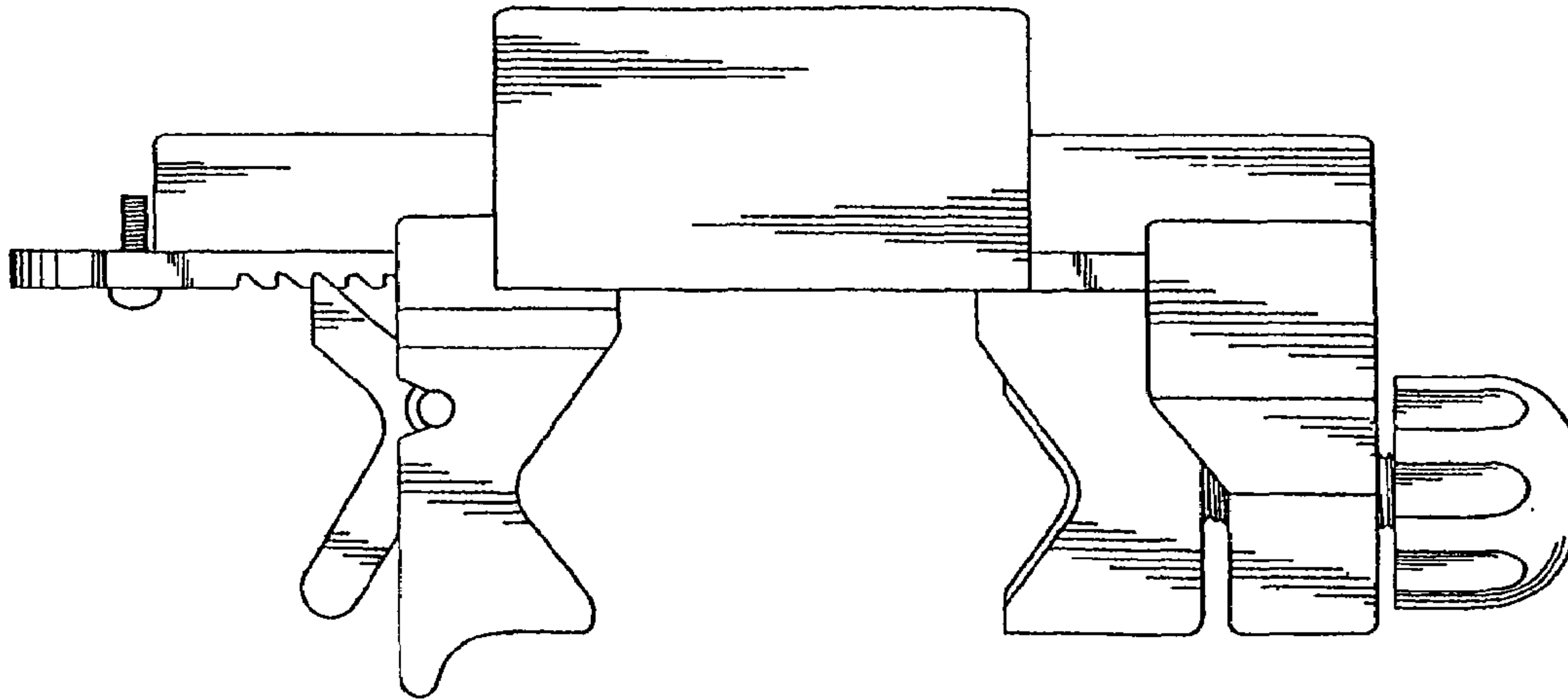


FIG.4

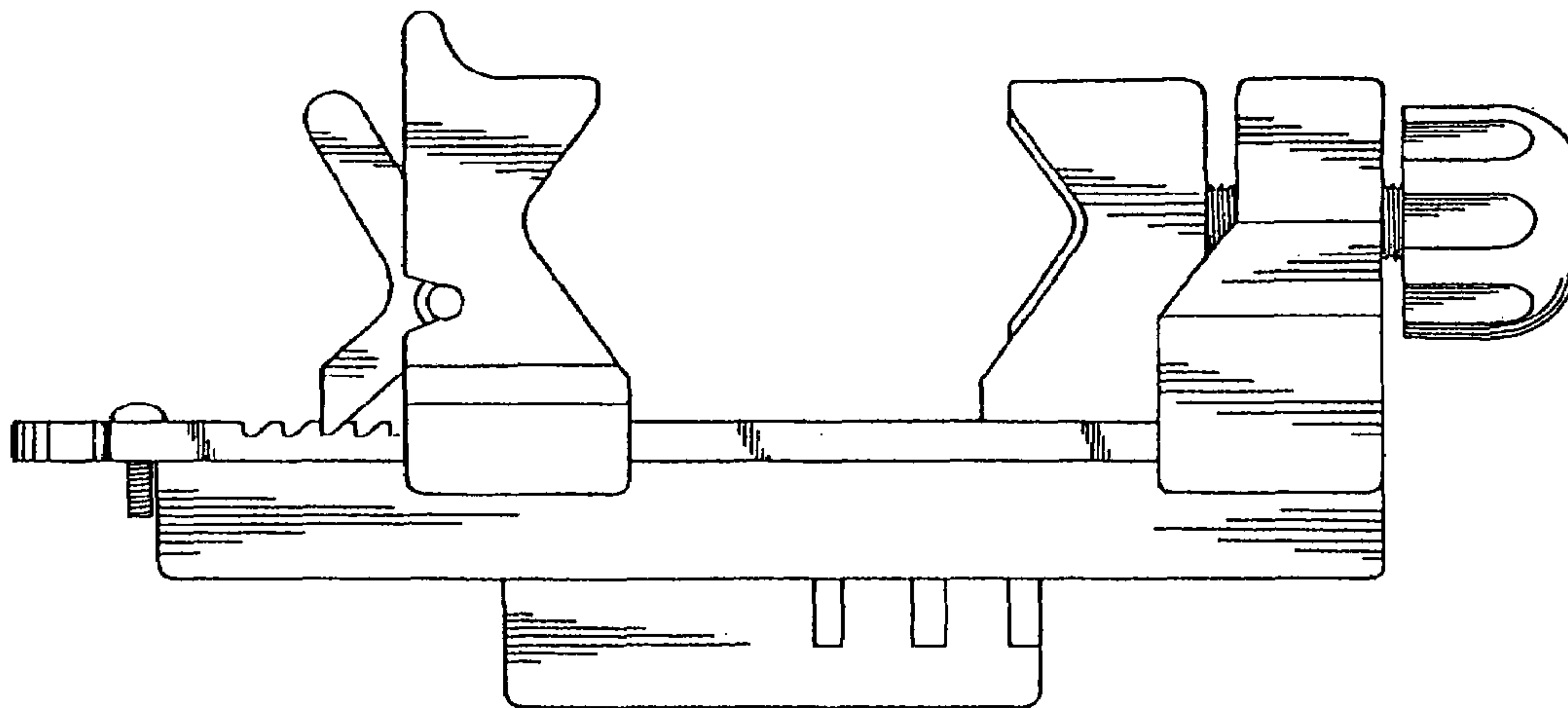


FIG.5

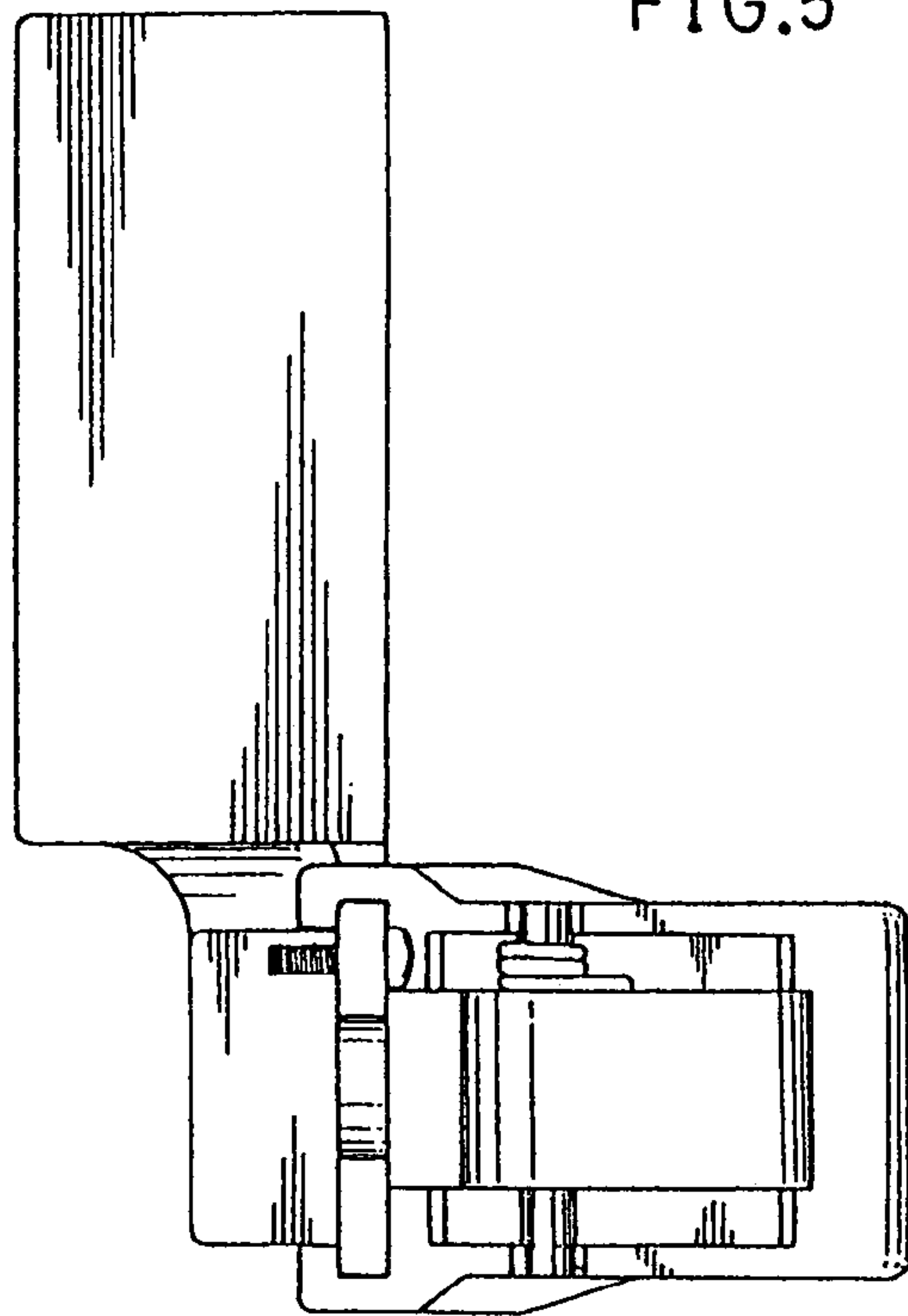


FIG.6

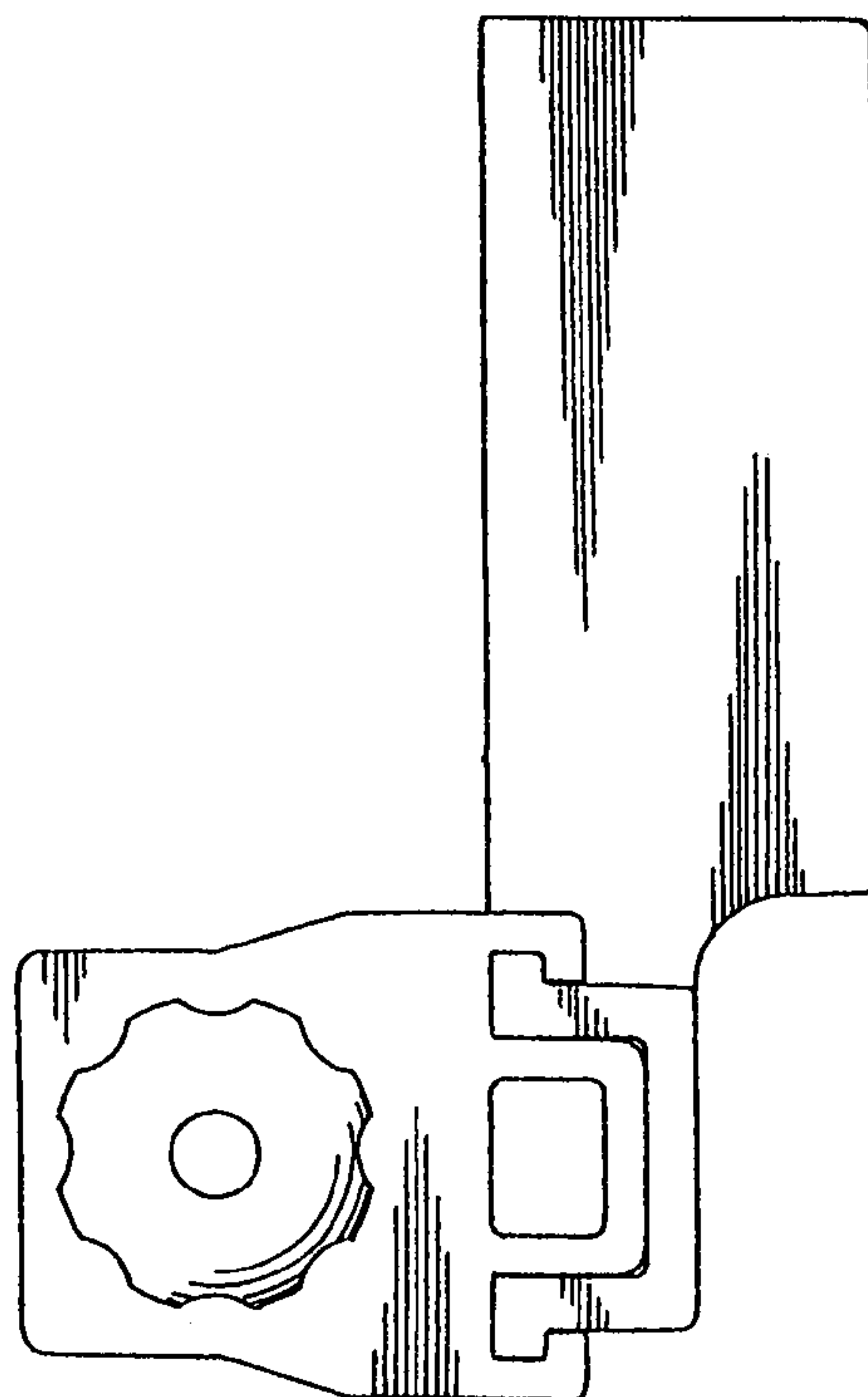


FIG. 7

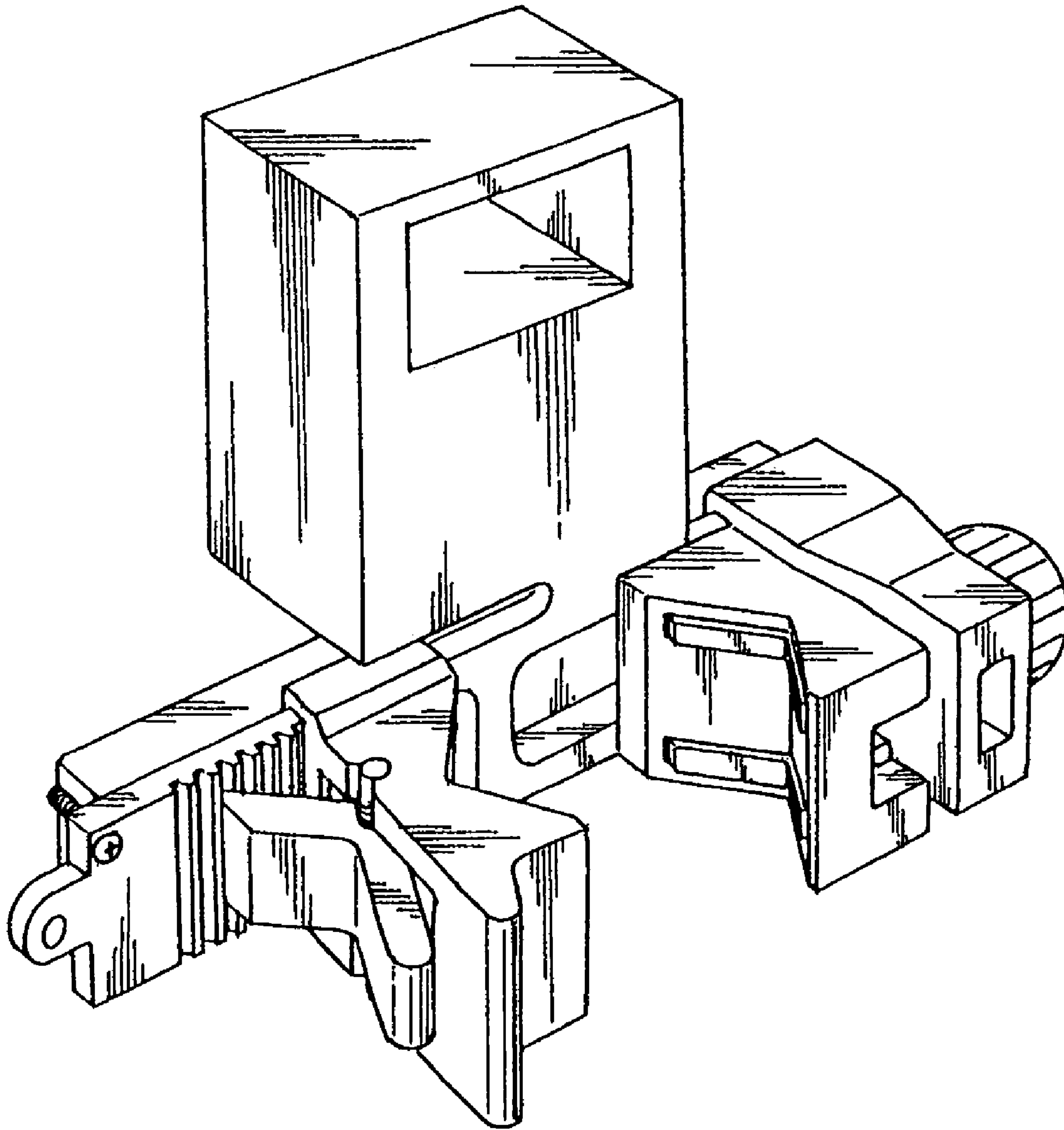


FIG.8

