



US00D554973S

(12) **United States Design Patent** (10) **Patent No.:** **US D554,973 S**
Flory (45) **Date of Patent:** **** Nov. 13, 2007**

(54) **SASH LOCK HOUSING**

(75) Inventor: **Edward C. Flory**, Crown Point, IN (US)

(73) Assignee: **Newell Operating Company**, Atlanta, GA (US)

(**) Term: **14 Years**

(21) Appl. No.: **29/263,613**

(22) Filed: **Jul. 26, 2006**

(51) **LOC (8) Cl.** **08-07**

(52) **U.S. Cl.** **D8/343**

(58) **Field of Classification Search** D8/330-348;
70/141, 81; 292/336.3, 347, 358, 359, DIG. 20,
292/DIG. 47, 217, 224, 202, 204, 32, 175,
292/228, 241, 242; 49/181, 185
See application file for complete search history.

1,006,211 A 10/1911 Hermon
1,041,803 A 10/1912 Kilburn
1,051,918 A 2/1913 Rowley
1,059,999 A 4/1913 James et al.
1,141,437 A 6/1915 Unterlender
1,198,166 A 9/1916 Stoddard
1,243,115 A 10/1917 Shur
1,253,810 A 1/1918 Gianninoto
1,270,740 A 6/1918 Keyes
1,393,628 A 10/1921 Leichter

(Continued)

FOREIGN PATENT DOCUMENTS

GB 341207 1/1931
GB 2026594 2/1980

OTHER PUBLICATIONS

P. 21, Home Protection Hardware Catalog Pricelist, dated Jul. 1986.

Primary Examiner—Mitchell Siegel
(74) *Attorney, Agent, or Firm*—Banner & Witcoff, Ltd.

(56) **References Cited**
U.S. PATENT DOCUMENTS

166,842 A 8/1875 Berryman
176,360 A 6/1876 Cooper
178,360 A 6/1876 Cooper
201,146 A 3/1878 Adler
336,302 A 2/1886 Dudgeon
346,788 A 8/1886 Teufel
376,252 A 1/1888 McIntyre
410,728 A 9/1889 Brown
480,148 A 8/1892 Theby
509,941 A 12/1893 Perry
512,593 A 1/1894 Webster
526,118 A 9/1894 Sharp
551,242 A 12/1895 Wallace
590,225 A 9/1897 Hill
722,162 A 3/1903 St. Louis
759,642 A 5/1904 Sparks
878,206 A 2/1908 Johnson
948,628 A 2/1910 Jefferis
966,063 A 8/1910 Toothaker
980,131 A 12/1910 Shean
998,642 A 7/1911 Shean

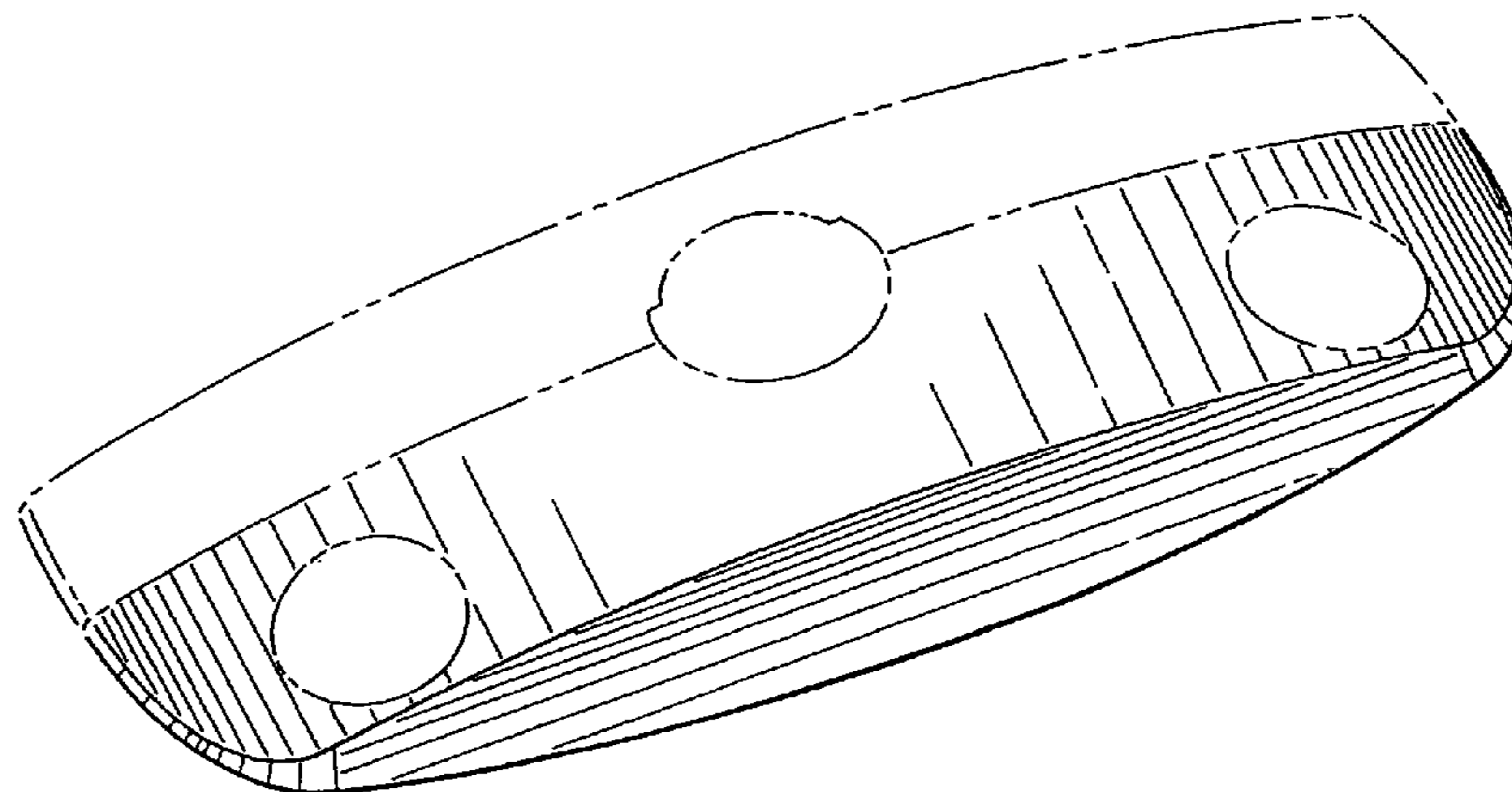
(57) **CLAIM**

We claim the ornamental design for a sash lock housing, as shown and described.

DESCRIPTION

FIG. 1 is a perspective view of the sash lock housing of the present invention;
FIG. 2 is a side view of the sash lock housing shown in FIG. 1, the opposite side view being identical thereto;
FIG. 3 is a top plan view of the sash lock housing shown in FIG. 1; and,
FIG. 4 is a front elevation view of the sash lock housing shown in FIG. 1.
The bottom view and rear elevation view are plain and unornamented.
Features shown in broken lines in the drawings are not part of the claim.

1 Claim, 1 Drawing Sheet



US D554,973 S

U.S. PATENT DOCUMENTS				
		5,161,839 A	11/1992	Piltingsrud et al.
1,550,532 A	8/1925 French	5,165,737 A	11/1992	Riegelman
1,552,690 A	9/1925 Frantz	5,183,310 A	2/1993	Shaughnessy
1,704,946 A	3/1929 Lindgren	5,219,193 A	6/1993	Piltingsrud
1,712,792 A	5/1929 Hansen	5,244,238 A	9/1993	Lindqvist
1,715,957 A	6/1929 Stein	5,274,955 A	1/1994	Dallaire et al.
1,794,171 A	2/1931 Grutel	5,341,752 A	8/1994	Hambleton
1,864,253 A	6/1932 McIntyre	5,398,447 A	3/1995	Morse
1,869,274 A	7/1932 Phillips	5,437,484 A	8/1995	Yamada
1,901,974 A	3/1933 Macy	5,454,609 A	10/1995	Slocomb et al.
1,922,062 A	8/1933 Sullivan	D366,409 S	1/1996	Delaske
1,964,114 A	6/1934 Gerlach et al.	5,560,149 A	10/1996	Lafevre
2,095,057 A	10/1937 Corrado	5,582,445 A	12/1996	Olsen et al.
2,122,661 A	7/1938 Rightmyer	RE35,463 E	2/1997	Vetter et al.
2,126,995 A	8/1938 Kingdon	5,636,475 A	6/1997	Nidelkoff
2,272,145 A	2/1942 Anderson et al.	D380,957 S *	7/1997	Evans et al. D8/337
2,369,584 A	2/1945 Lundholm	D382,191 S *	8/1997	Plummer D8/337
2,452,521 A	10/1948 Johnson et al.	D382,192 S *	8/1997	Plummer D8/337
2,500,849 A	3/1950 Menns	5,688,000 A	11/1997	Dolman
2,537,736 A	1/1951 Carlson	5,715,631 A	2/1998	Kailian et al.
2,766,492 A	10/1956 Day et al.	5,741,032 A	4/1998	Chaput
2,818,919 A	1/1958 Sylvan	5,791,700 A	8/1998	Biro
3,027,188 A	3/1962 Eichstadt	5,829,196 A	11/1998	Maier
3,187,526 A	6/1965 Moler	5,873,199 A	2/1999	Meunier et al.
3,362,740 A	1/1968 Burns	D408,263 S *	4/1999	Briggs D8/337
3,438,153 A	4/1969 Lemme	5,901,499 A	5/1999	Delaske et al.
3,599,452 A	8/1971 Yokohama et al.	5,911,763 A	6/1999	Quesada
3,645,573 A	2/1972 Strang	5,970,656 A	10/1999	Maier
3,655,230 A	4/1972 Armstrong	5,992,907 A	11/1999	Sheldon et al.
3,683,652 A	8/1972 Halopoff et al.	D418,737 S *	1/2000	Libby et al. D8/337
3,811,718 A	5/1974 Bates	6,086,121 A	7/2000	Buckland
3,919,808 A	11/1975 Simmons	6,116,665 A	9/2000	Subliskey
4,068,871 A	1/1978 Mercer	6,135,510 A	10/2000	Diginosa
4,151,682 A	5/1979 Schmidt	6,139,071 A	10/2000	Hopper
4,165,894 A	8/1979 Wojciechowski	6,142,541 A	11/2000	Rotondi
4,227,345 A	10/1980 Durham, Jr.	6,155,615 A	12/2000	Schultz
4,253,688 A	3/1981 Hosooka	6,161,335 A	12/2000	Beard et al.
4,303,264 A	12/1981 Uehara	6,176,041 B1	1/2001	Roberts
4,305,612 A	12/1981 Hunt et al.	6,178,696 B1	1/2001	Liang
4,392,329 A	7/1983 Suzuki	6,183,024 B1	2/2001	Schultz et al.
4,470,277 A	9/1984 Uyeda	6,209,931 B1	4/2001	Stoutenborough et al.
4,475,311 A	10/1984 Gibson	6,217,087 B1	4/2001	Fuller
4,525,952 A	7/1985 Cunningham et al.	6,230,443 B1	5/2001	Schultz
4,558,174 A	12/1985 Massey	6,257,303 B1	7/2001	Coubray et al.
4,580,366 A	4/1986 Hardy	6,279,266 B1	8/2001	Searcy
4,587,759 A	5/1986 Gray	6,422,287 B1	7/2002	Wilke
4,621,847 A	11/1986 Paulson et al.	6,478,347 B1	11/2002	Timothy
4,624,073 A	11/1986 Randall	6,523,868 B1	2/2003	Timothy
4,639,021 A	1/1987 Hope	6,546,671 B2	4/2003	Mitchell et al.
4,643,005 A	2/1987 Logas	6,565,133 B1	5/2003	Timothy
D293,548 S *	1/1988 Bates et al. D8/337	6,568,723 B2	5/2003	Murphy et al.
4,736,972 A	4/1988 Mosch	6,588,150 B1	7/2003	Wong et al.
D295,948 S *	5/1988 Mandell D8/337	6,592,155 B1	7/2003	Lemley et al.
4,801,164 A	1/1989 Mosch	6,607,221 B1	8/2003	Elliott
4,813,725 A	3/1989 Mosch	6,634,683 B1 *	10/2003	Brannan 292/241
4,827,685 A	5/1989 Schmidt	D481,933 S	11/2003	Smith et al.
4,893,849 A	1/1990 Schlack	6,817,142 B2	11/2004	Marshik
4,922,658 A	5/1990 Coddens	6,871,885 B2	3/2005	Goldenberg et al.
4,949,506 A	8/1990 Durham, Jr.	6,871,886 B2 *	3/2005	Coleman et al. 292/241
4,961,286 A	10/1990 Bezubic	6,983,963 B2 *	1/2006	Eslick et al. 292/242
5,042,855 A	8/1991 Bennett et al.	7,000,957 B2 *	2/2006	Lawrence 292/241
5,072,464 A	12/1991 Draheim et al.	7,017,957 B2 *	3/2006	Murphy et al. 292/241
5,076,015 A	12/1991 Manzalini	D527,613 S *	9/2006	Omangi et al. D8/331
5,087,087 A	2/1992 Vetter et al.	7,159,908 B2 *	1/2007	Liang 292/242
5,087,088 A	2/1992 Milam	D536,950 S *	2/2007	Liang et al. D8/331
5,090,750 A	2/1992 Lindqvist	D539,634 S *	4/2007	Tanaka et al. D8/333
5,110,165 A	5/1992 Piltingsrud	2001/0005995 A1 *	7/2001	Subliskey 70/89
5,127,685 A	7/1992 Dallaire et al.	2007/0046036 A1 *	3/2007	Kinsey 292/228
5,139,291 A	8/1992 Schultz			
5,143,412 A	9/1992 Lindqvist			

* cited by examiner

FIG. 1

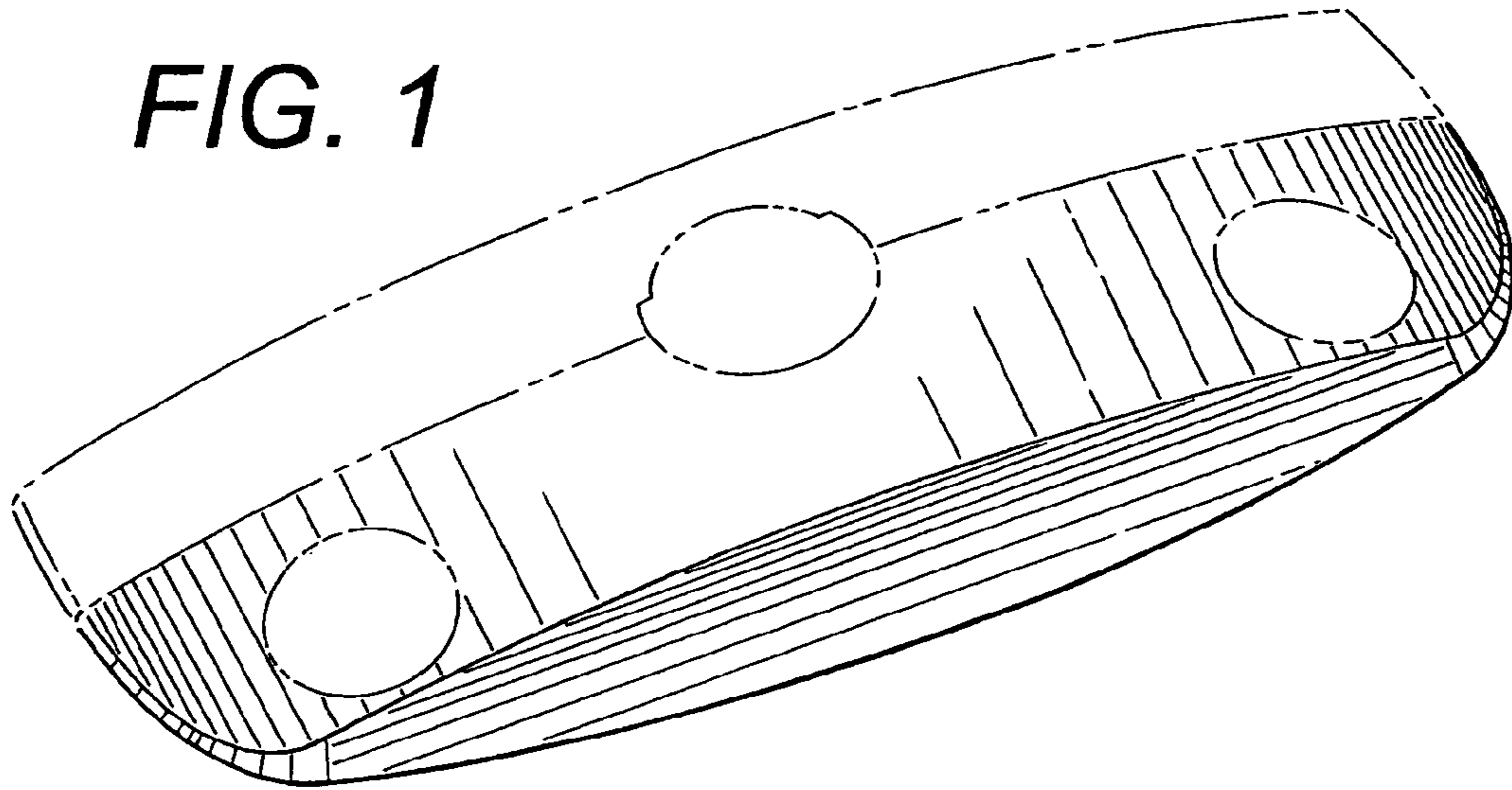


FIG. 2

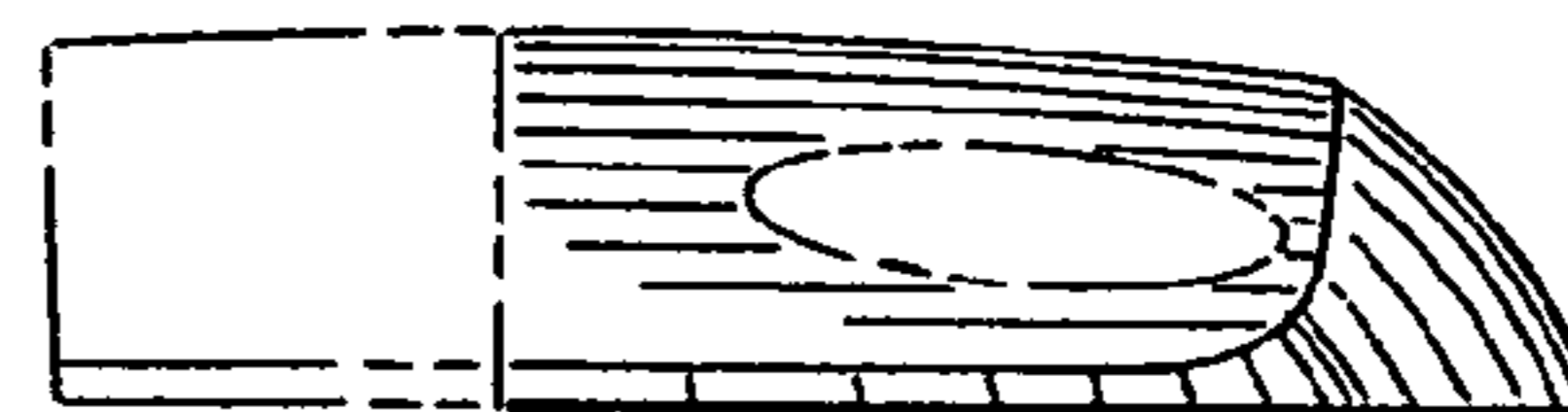


FIG. 3

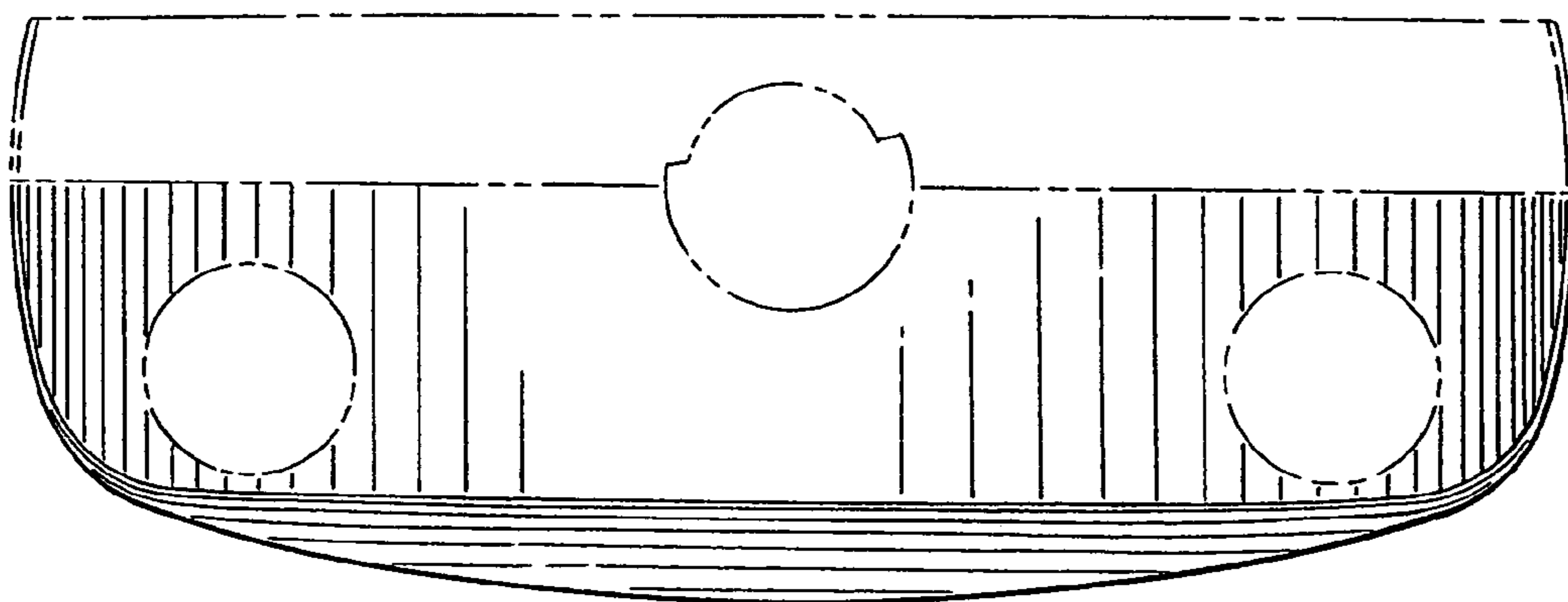


FIG. 4

