



US00D554971S

(12) **United States Design Patent**
Flory

(10) **Patent No.:** **US D554,971 S**

(45) **Date of Patent:** **** Nov. 13, 2007**

(54) **SASH LOCK HANDLE**

(75) **Inventor:** **Edward C. Flory**, Crown Point, IN (US)

(73) **Assignee:** **Newell Operating Company**, Atlanta, GA (US)

(**) **Term:** **14 Years**

(21) **Appl. No.:** **29/263,603**

(22) **Filed:** **Jul. 26, 2006**

(51) **LOC (8) Cl.** **08-06**

(52) **U.S. Cl.** **D8/308**

(58) **Field of Classification Search** D8/300,
D8/307-309, 301, 330-331, 336-339, 400;
D23/250-252; 16/110.1, 429; 74/523, 545-547;
292/336.3, 281, 283

See application file for complete search history.

(56) **References Cited**

U.S. PATENT DOCUMENTS

166,842 A	8/1875	Berryman	292/7
176,360 A	6/1876	Cooper	404/30
178,360 A	6/1876	Cooper	49/99
201,146 A	3/1878	Adler	70/114
336,302 A	2/1886	Dudgeon	292/36
346,788 A	8/1886	Teufel	292/161
376,252 A	1/1888	McIntyre	292/140
410,728 A	9/1889	Brown	292/38
480,148 A	8/1892	Theby	292/36
509,941 A	12/1893	Perry	292/7
526,118 A	9/1894	Sharp	292/40
551,242 A	12/1895	Wallace	49/187
590,225 A	9/1897	Hill	292/7
722,162 A	3/1903	St. Louis	292/7
759,642 A	5/1904	Sparks	292/140
878,206 A	2/1908	Johnson	292/36
948,628 A	2/1910	Jefferis	49/395
966,063 A	8/1910	Toothaker	292/36
980,131 A	12/1910	Shean	292/36
998,642 A	7/1911	Shean	292/36
1,006,211 A	10/1911	Hermon	292/36

1,041,803 A	10/1912	Kilburn	292/36
1,051,918 A	2/1913	Rowley	292/7
1,059,999 A	4/1913	James et al.	292/36
1,141,437 A	6/1915	Unterlender	70/114

(Continued)

FOREIGN PATENT DOCUMENTS

GB	341207	1/1931
GB	2026594	2/1980

OTHER PUBLICATIONS

P. 21, Home Protection Hardware Catalog Pricelist, dated Jul. 1986.

Primary Examiner—Paula A. Greene

(74) *Attorney, Agent, or Firm*—Banner & Witcoff, Ltd.

(57) **CLAIM**

We claim the ornamental design for a sash lock handle, as shown and described.

DESCRIPTION

FIG. 1 is a perspective view of the sash lock handle of the present invention;

FIG. 2 is a top plan view of the sash lock handle shown in FIG. 1;

FIG. 3 is a front elevation view of the sash lock handle shown in FIG. 1;

FIG. 4 is a side view of the sash lock handle of the sash lock housing shown in FIG. 1;

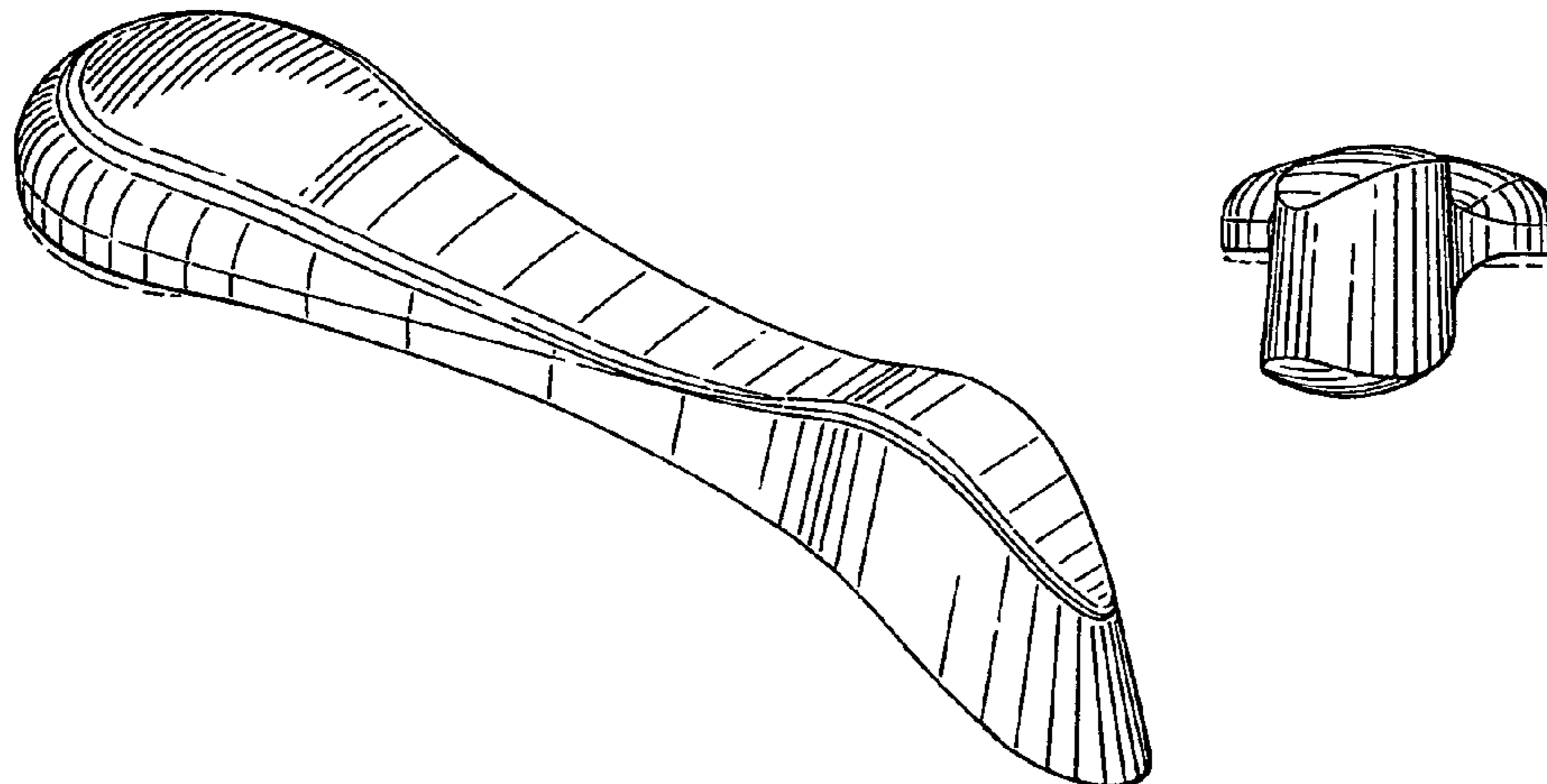
FIG. 5 is an opposite view from FIG. 4, of the sash lock handle shown in FIG. 1;

FIG. 6 is a rear elevation view of the sash lock handle shown in FIG. 1; and,

FIG. 7 is a bottom view of the sash lock handle shown in FIG. 1.

The broken lines are included for the purpose of illustration and form no part of the claimed design.

1 Claim, 1 Drawing Sheet



US D554,971 S

U.S. PATENT DOCUMENTS							
1,198,166 A	9/1916	Stoddard	220/327	5,110,165 A	5/1992	Piltingsrud	292/242
1,243,115 A	10/1917	Shur	292/7	5,127,685 A	7/1992	Dallaire et al.	292/175
1,253,810 A	1/1918	Gianninoto	292/207	5,139,291 A	8/1992	Schultz	292/42
1,270,740 A	6/1918	Keyes	292/40	5,143,412 A	9/1992	Lindqvist	292/200
1,393,628 A	10/1921	Leichter	292/210	5,161,839 A	11/1992	Piltingsrud et al.	292/241
1,550,532 A	8/1925	French	292/37	5,165,737 A	11/1992	Riegelman	292/42
1,552,690 A	9/1925	Frantz	292/33	5,183,310 A	2/1993	Shaughnessy	292/106
1,704,946 A	3/1929	Lindgren	292/5	5,219,193 A	6/1993	Piltingsrud	292/240
1,712,792 A	5/1929	Hansen	292/7	5,244,238 A	9/1993	Lindqvist	292/7
1,715,957 A	6/1929	Stein	292/262	512,593 A	1/1994	Webster et al.	292/213
1,794,171 A	2/1931	Grutel	292/45	5,274,955 A	1/1994	Dallaire et al.	49/406
1,964,114 A	12/1931	Gerlach et al.	292/36	5,341,752 A	8/1994	Hambleton	109/59 R
1,864,253 A	6/1932	McIntyre	49/99	5,398,447 A	3/1995	Morse	49/185
1,867,274 A	7/1932	Phillips	49/365	5,437,484 A	8/1995	Yamada	292/36
1,901,974 A	3/1933	Macy	292/341.17	5,454,609 A	10/1995	Slocomb et al.	292/337
1,922,062 A	8/1933	Sullivan	70/114	D366,409 S	1/1996	Delaske	D8/338
2,095,057 A	10/1937	Corrado	49/178	D369,290 S *	4/1996	Subliskey	D8/337
2,122,661 A	7/1938	Rightmyer	49/72	5,560,149 A	10/1996	Lafevre	49/501
2,126,995 A	8/1938	Kingdon	49/395	5,582,445 A	12/1996	Olsen et al.	292/241
2,272,145 A	2/1942	Anderson et al.	292/7	RE35,463 E	2/1997	Vetter et al.	292/48
2,369,584 A	2/1945	Lundholm	292/48	5,636,475 A	6/1997	Nidelkoff	49/178
2,452,521 A	10/1948	Johnson et al.	292/7	5,688,000 A	11/1997	Dolman	292/34
2,500,849 A	3/1950	Menns	49/181	D388,689 S *	1/1998	Bauman et al.	D8/337
2,537,736 A	1/1951	Carlson	292/187	5,715,631 A	2/1998	Kailian et al.	49/450
2,766,492 A	10/1956	Day et al.	49/119	5,741,032 A	4/1998	Chaput	292/202
2,818,919 A	1/1958	Sylvan	160/91	D396,398 S *	7/1998	Anderson et al.	D8/338
3,027,188 A	3/1962	Eichstadt	296/51	5,791,700 A	8/1998	Biro	292/7
3,187,526 A	6/1965	Moler	70/100	5,829,196 A	11/1998	Maier	49/181
D209,901 S *	1/1968	Fredricksen	D8/308	D406,040 S *	2/1999	Kuehn	D8/301
3,362,740 A	1/1968	Burns	292/34	5,873,199 A	2/1999	Meunier et al.	49/181
3,438,153 A	4/1969	Lemme	49/451	5,901,499 A	5/1999	Delaske et al.	49/183
3,599,452 A	8/1971	Yokohama et al.	70/200	5,911,763 A	6/1999	Quesada	70/120
3,645,573 A	2/1972	Strang	292/241	5,970,656 A	10/1999	Maier	49/181
3,655,230 A	4/1972	Armstrong	292/169	5,992,907 A	11/1999	Sheldon et al.	292/34
3,683,652 A	8/1972	Halopoff et al.	70/467	D418,737 S *	1/2000	Libby et al.	D8/337
3,811,718 A	5/1974	Bates	292/241	6,086,121 A	7/2000	Buckland	292/34
3,919,808 A	11/1975	Simmons	49/367	6,116,665 A	9/2000	Subliskey	292/241
4,068,871 A	1/1978	Mercer	292/48	6,135,510 A	10/2000	Diginosa	292/145
4,151,682 A	5/1979	Schmidt	49/404	6,139,071 A	10/2000	Hopper	292/158
4,165,894 A	8/1979	Wojciechowski	292/7	6,142,541 A	11/2000	Rotondi	292/241
4,227,345 A	10/1980	Durham, Jr.	49/181	6,155,615 A	12/2000	Schultz	292/163
4,253,688 A	3/1981	Hosooka	292/52	6,161,335 A	12/2000	Beard et al.	49/181
4,303,264 A	12/1981	Uehara	292/7	6,176,041 B1	1/2001	Roberts	49/395
4,305,612 A	12/1981	Hunt et al.	292/336.3	6,178,696 B1	1/2001	Liang	49/185
4,392,329 A	7/1983	Suzuki	49/356	6,183,024 B1	2/2001	Schultz et al.	292/175
4,470,277 A	9/1984	Uyeda	70/118	D439,822 S *	4/2001	Webber et al.	D8/331
4,475,311 A	10/1984	Gibson	49/176	6,209,931 B1	4/2001	Stoutenborough et al.	292/160
4,525,952 A	7/1985	Cunningham et al.	49/449	6,217,087 B1	4/2001	Fuller	292/39
4,558,174 A	12/1985	Massey	174/92	6,230,443 B1	5/2001	Schultz	49/183
4,580,366 A	4/1986	Hardy	49/406	D444,372 S *	7/2001	Segawa	D8/338
4,587,759 A	5/1986	Gray	49/50	6,257,303 B1	7/2001	Coubray et al.	160/188
4,621,847 A	11/1986	Paulson et al.	292/199	6,279,266 B1	8/2001	Searcy	49/183
4,624,073 A	11/1986	Randall	49/161	D451,781 S *	12/2001	Vande Steeg et al.	D8/309
4,639,021 A	1/1987	Hope	292/7	6,422,287 B1	7/2002	Wilke	160/92
4,643,005 A	2/1987	Logas	70/95	6,478,347 B1	11/2002	Timothy	292/241
D293,548 S	1/1988	Bates et al.	D8/337	6,523,868 B1	2/2003	Timothy	292/241
4,736,972 A	4/1988	Mosch	292/204	6,546,671 B2	4/2003	Mitchell et al.	49/185
4,801,164 A	1/1989	Mosch	292/204	6,565,133 B1	5/2003	Timothy	292/242
4,813,725 A	3/1989	Mosch	292/241	6,568,723 B2	5/2003	Murphy et al.	292/241
4,827,685 A	5/1989	Schmidt	52/407.1	6,588,150 B1	7/2003	Wong et al.	49/183
4,893,849 A	1/1990	Schlack	292/7	6,592,155 B1	7/2003	Lemley et al.	292/7
4,922,658 A	5/1990	Coddens	49/458	6,607,221 B1	8/2003	Elliott	292/33
4,949,506 A	8/1990	Durham, Jr.	49/449	6,634,683 B1	10/2003	Brannan	292/241
4,961,286 A	10/1990	Bezubic	49/175	D481,933 S	11/2003	Smith et al.	D8/400
5,042,855 A	8/1991	Bennett et al.	292/241	D495,582 S *	9/2004	Richardson et al.	D8/337
5,072,464 A	12/1991	Draheim et al.	5/93.1	6,817,142 B2	11/2004	Marshik	49/449
5,076,015 A	12/1991	Manzalini	49/192	6,871,885 B2	3/2005	Goldenberg et al.	292/241
5,087,087 A	2/1992	Vetter et al.	292/48	6,983,963 B2	1/2006	Eslick et al.	292/242
5,087,088 A	2/1992	Milam	292/110	D520,855 S *	5/2006	Osiecki et al.	D8/308
5,090,750 A	2/1992	Lindqvist	292/7				

* cited by examiner

FIG. 1

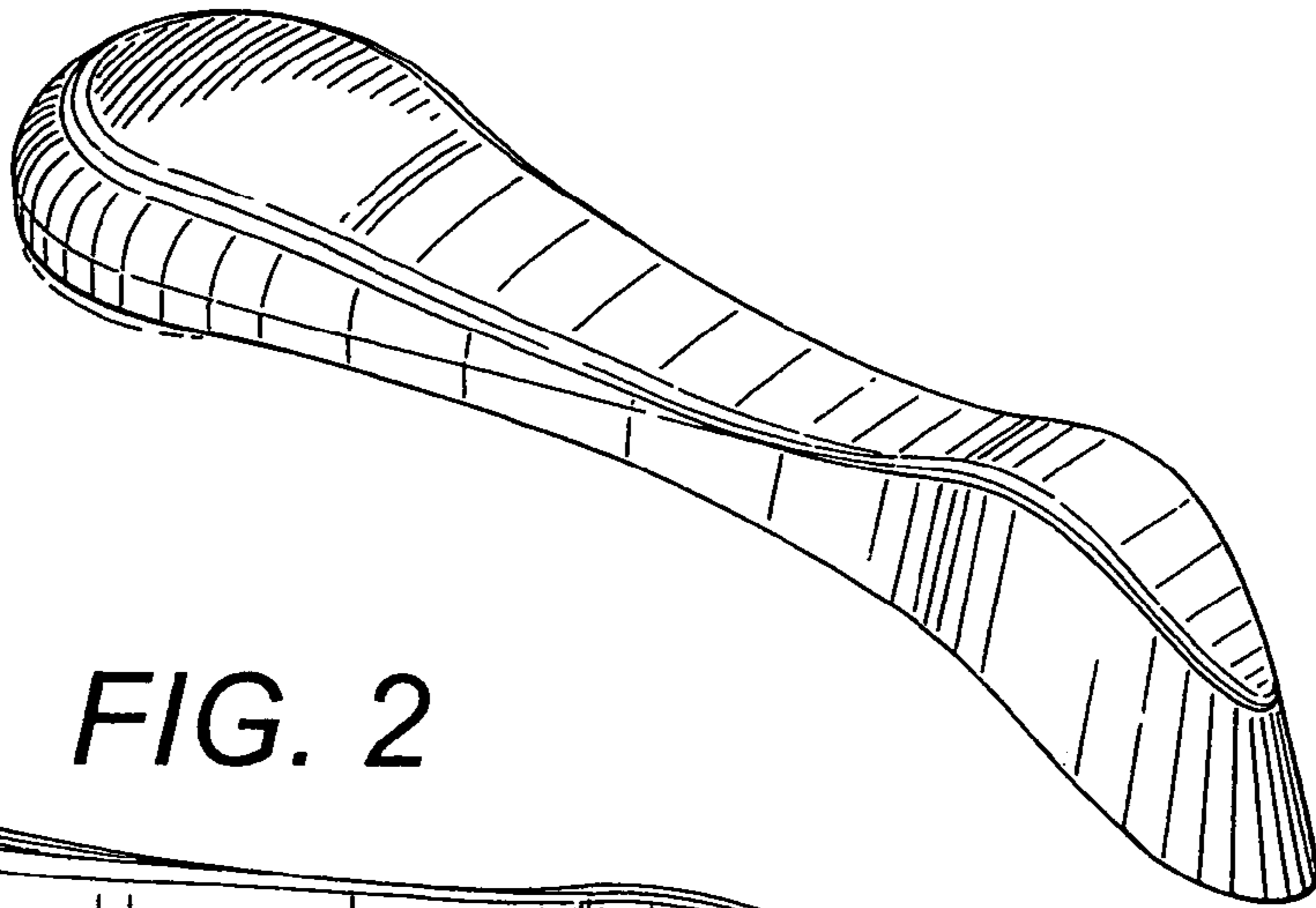


FIG. 2

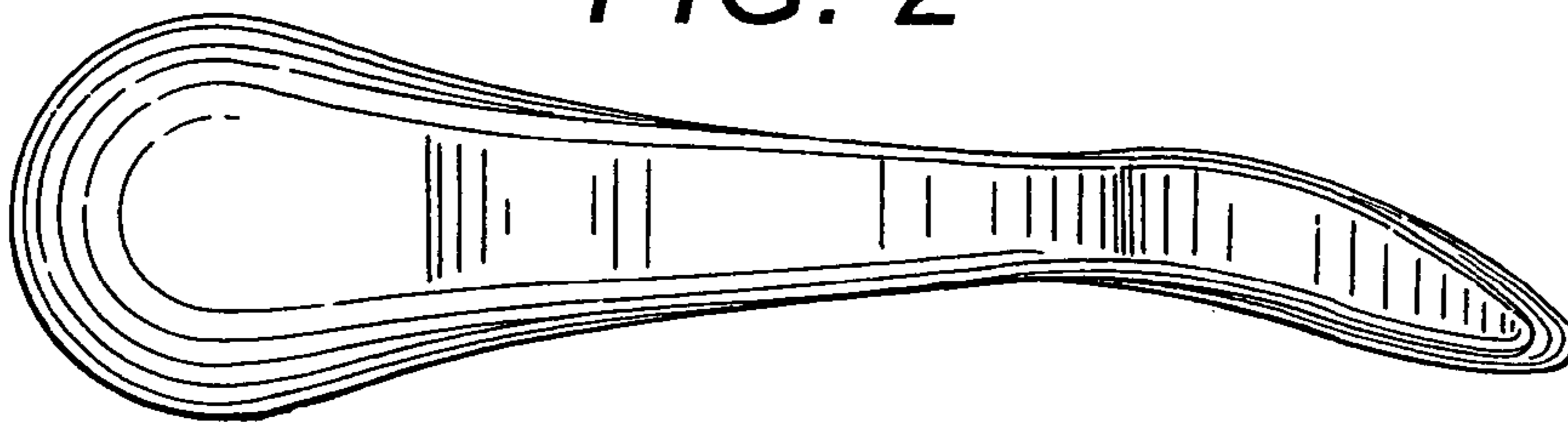


FIG. 3

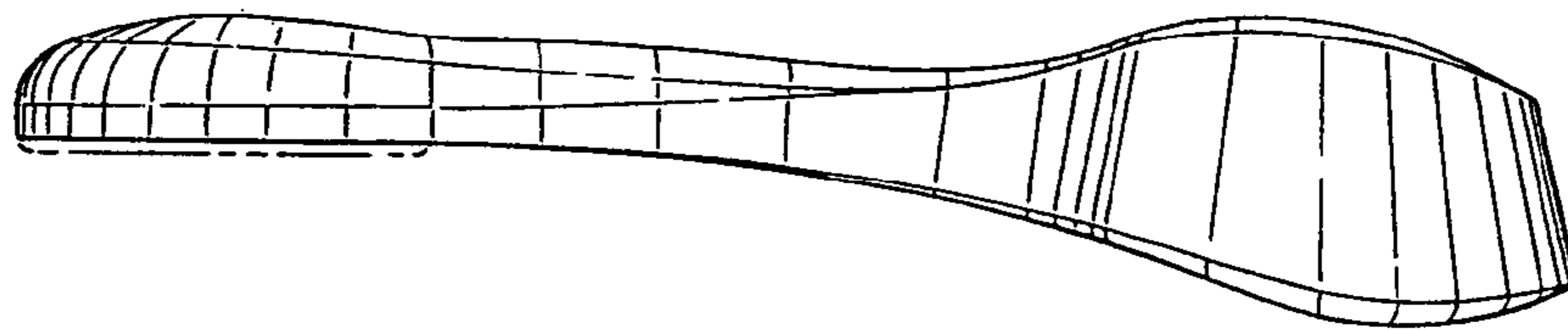


FIG. 4

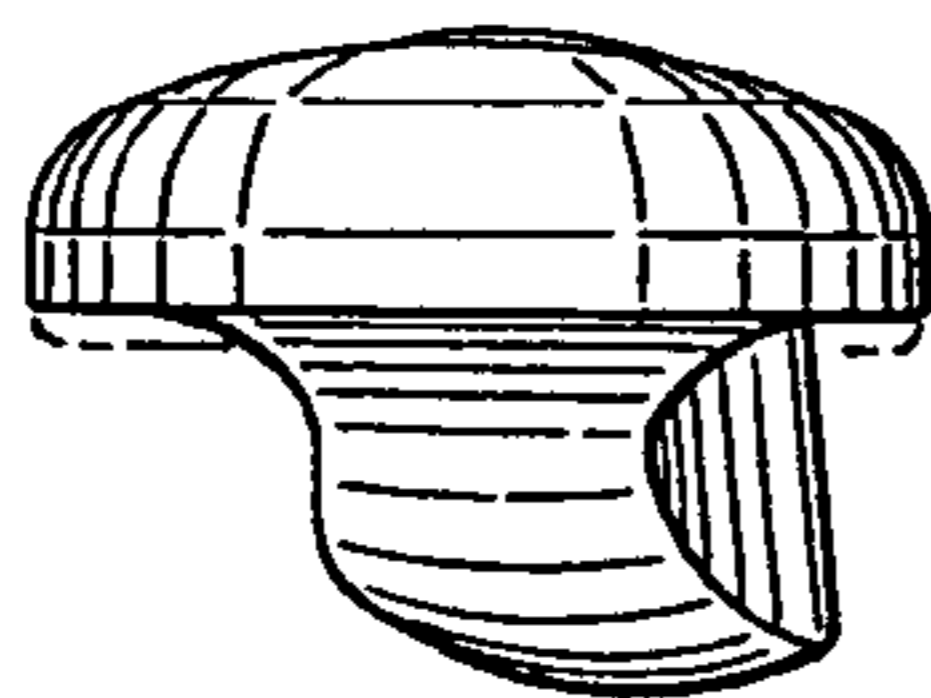


FIG. 5

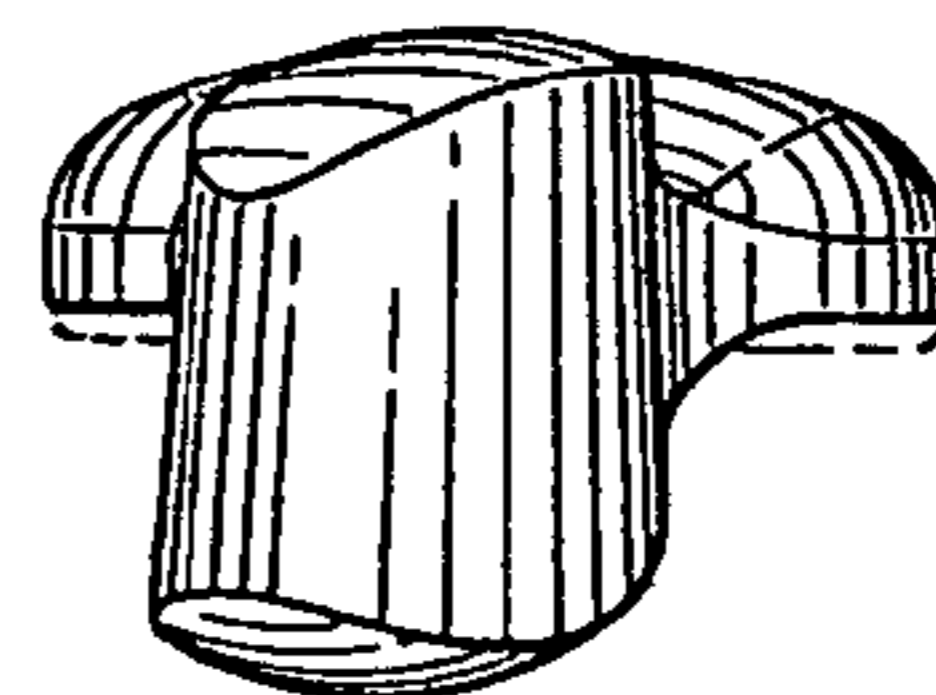


FIG. 6

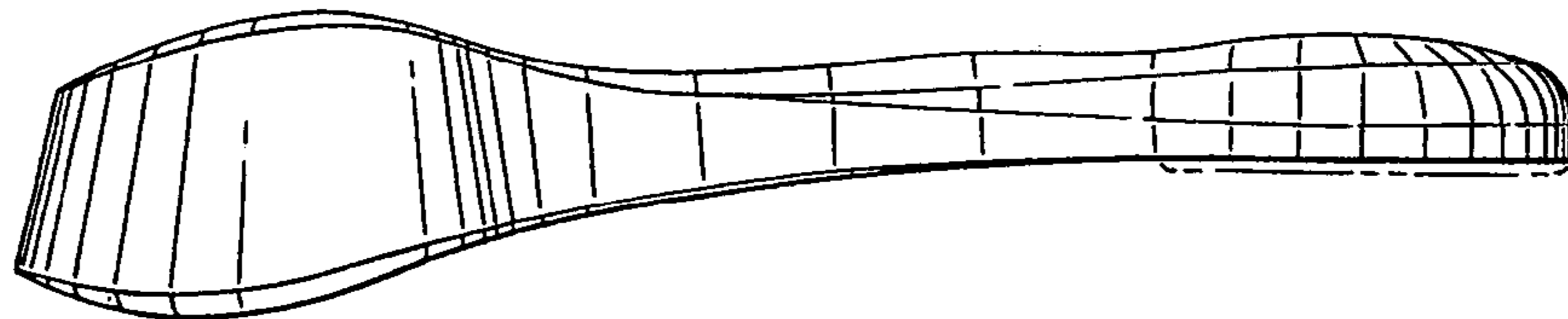


FIG. 7

