



US00D554970S

(12) **United States Design Patent**
Hartkopf

(10) **Patent No.:** **US D554,970 S**

(45) **Date of Patent:** **** Nov. 13, 2007**

(54) **LEVER FOR HOSPITAL BED**

(75) Inventor: **Horst Hartkopf**, Wermelskirchen (DE)

(73) Assignee: **Tente GmbH & Co. KG** (DE)

(**) Term: **14 Years**

(21) Appl. No.: **29/254,559**

(22) Filed: **Feb. 24, 2006**

(30) **Foreign Application Priority Data**

Aug. 25, 2005 (EM) 000391222

(51) **LOC (8) Cl.** **08-06**

(52) **U.S. Cl.** **D8/308; D8/310**

(58) **Field of Classification Search** D8/300,
D8/305, 307, 308, 311, 398; 411/435; 292/169,
292/DIG. 37

See application file for complete search history.

(56) **References Cited**

U.S. PATENT DOCUMENTS

D128,119 S *	7/1941	Landmeier	D8/308
D138,322 S *	7/1944	Melichar	D8/305
2,576,643 A *	11/1951	Roerig	411/435
D181,558 S *	11/1957	Urie	D8/398
D302,243 S *	7/1989	Gonzalez	D8/398
D317,705 S *	6/1991	Tinz	D8/307
D373,305 S *	9/1996	Decursu et al.	D8/398
6,113,160 A *	9/2000	Johansson et al.	292/169

* cited by examiner

Primary Examiner—Paula A. Greene

(74) *Attorney, Agent, or Firm*—St. Onge Steward Johnston & Reens LLC

(57) **CLAIM**

The ornamental design for lever for hospital bed, as shown and described.

DESCRIPTION

FIG. 1 is a left side elevational view of a lever for hospital bed showing my new design;

FIG. 2 is a front elevational view thereof;

FIG. 3 is a right side elevational view thereof;

FIG. 4 is a rear view thereof;

FIG. 5 is a top plan view thereof;

FIG. 6 is a bottom view thereof;

FIG. 7 is an asymmetric view thereof;

FIG. 8 is a left side elevational view of a second embodiment of a lever for hospital bed showing my new design,

FIG. 9 is a front elevational view thereof;

FIG. 10 is a right side elevational view thereof;

FIG. 11 is a rear elevational view thereof;

FIG. 12 is a top plan view thereof;

FIG. 13 is a bottom view thereof; and,

FIG. 14 is an asymmetric view thereof.

1 Claim, 2 Drawing Sheets

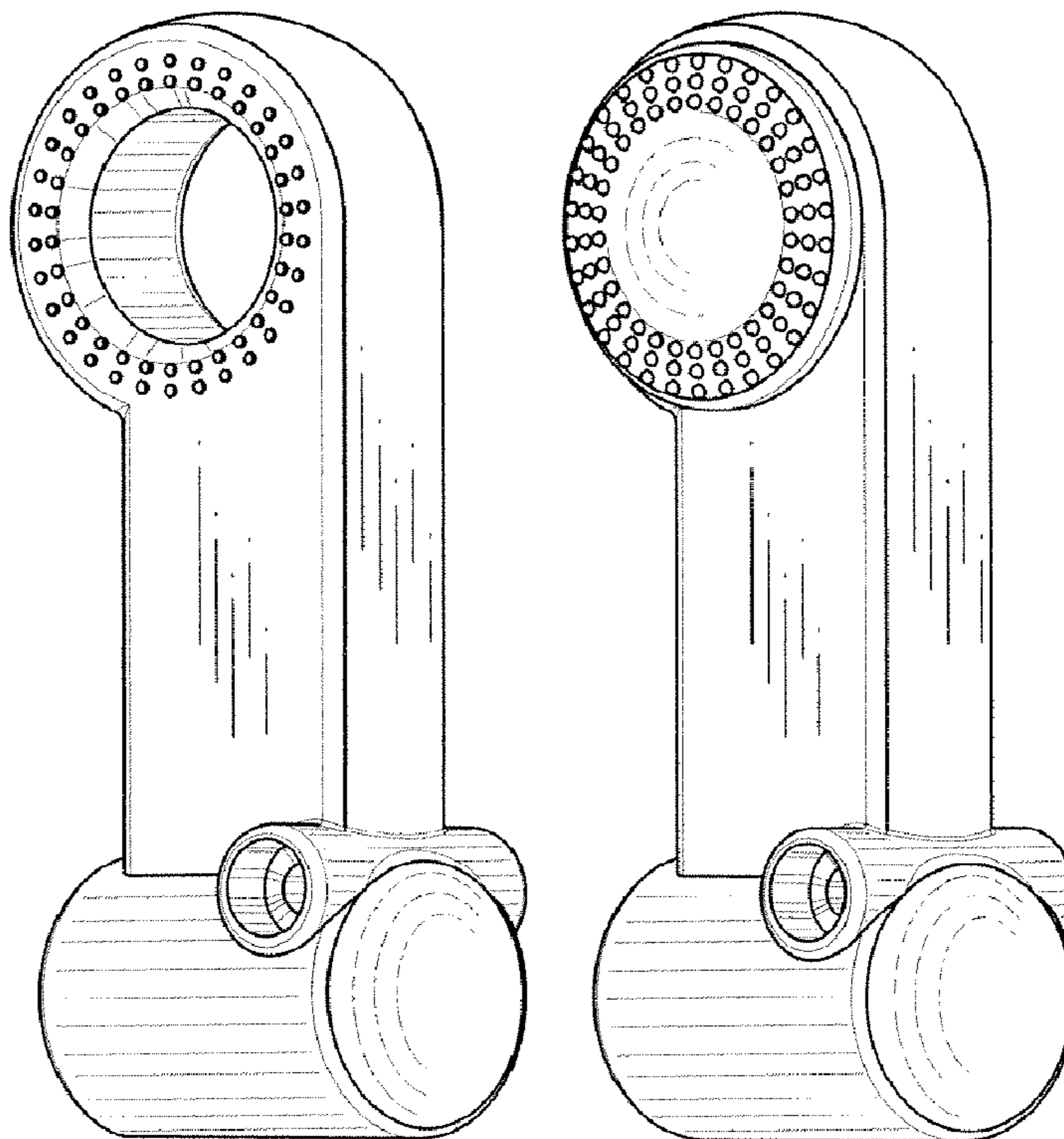


Fig. 1

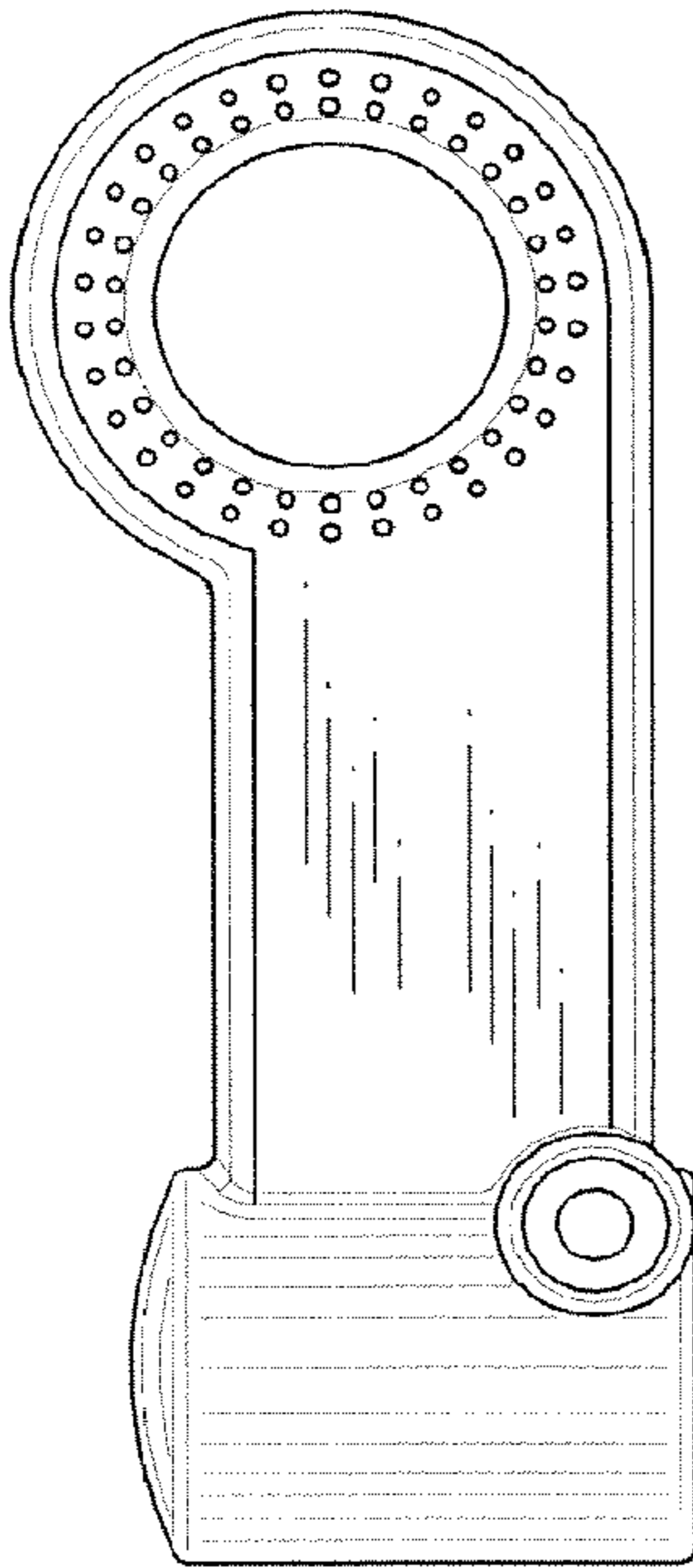


Fig. 2

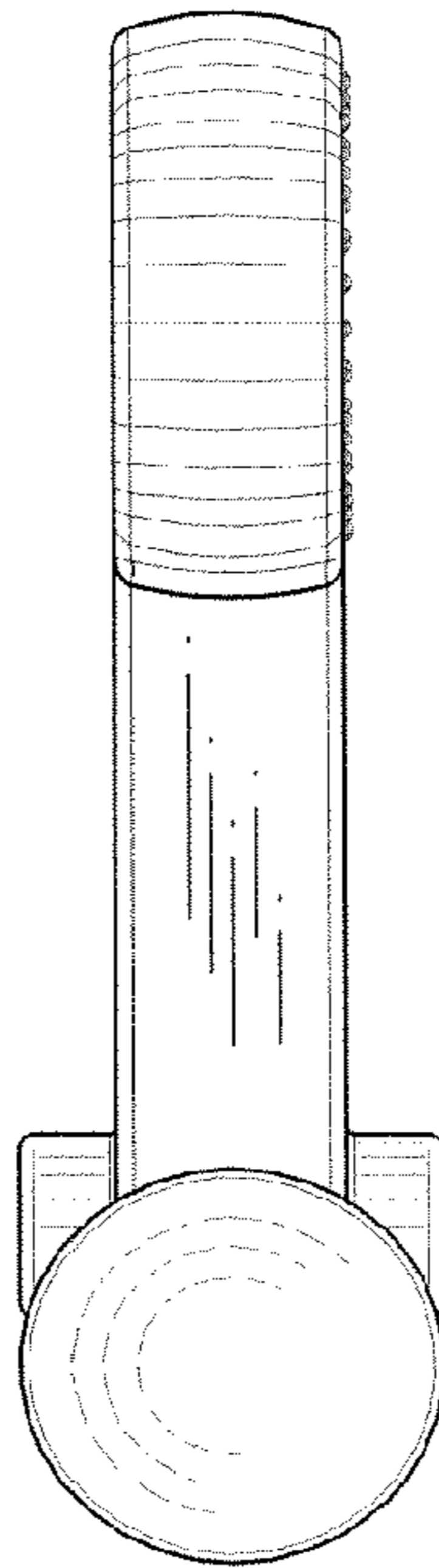


Fig. 3

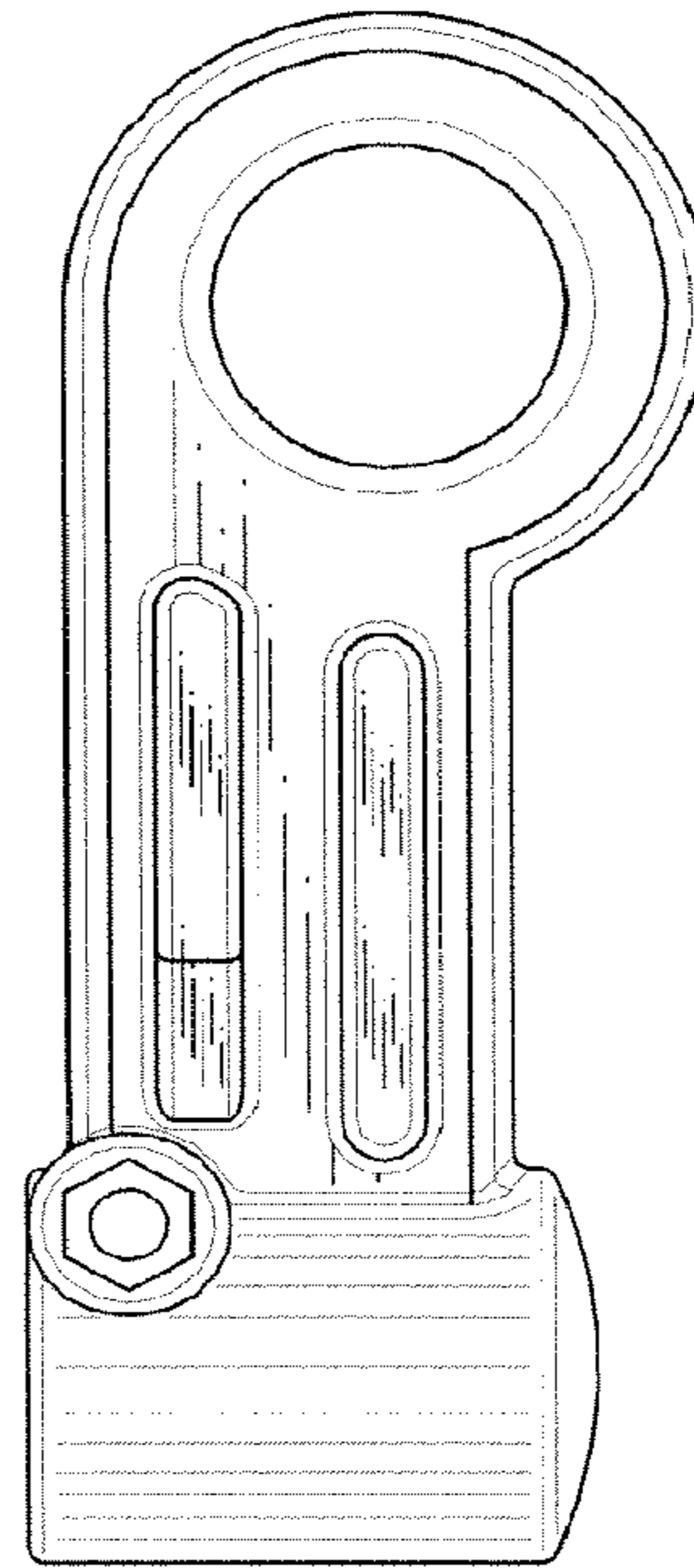


Fig. 4

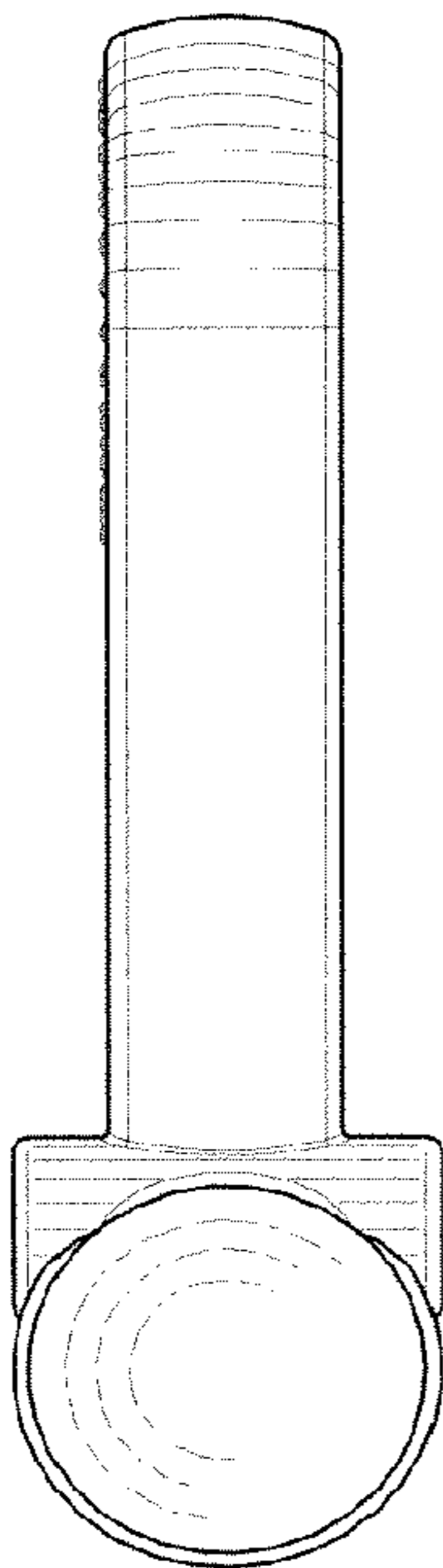


Fig. 5

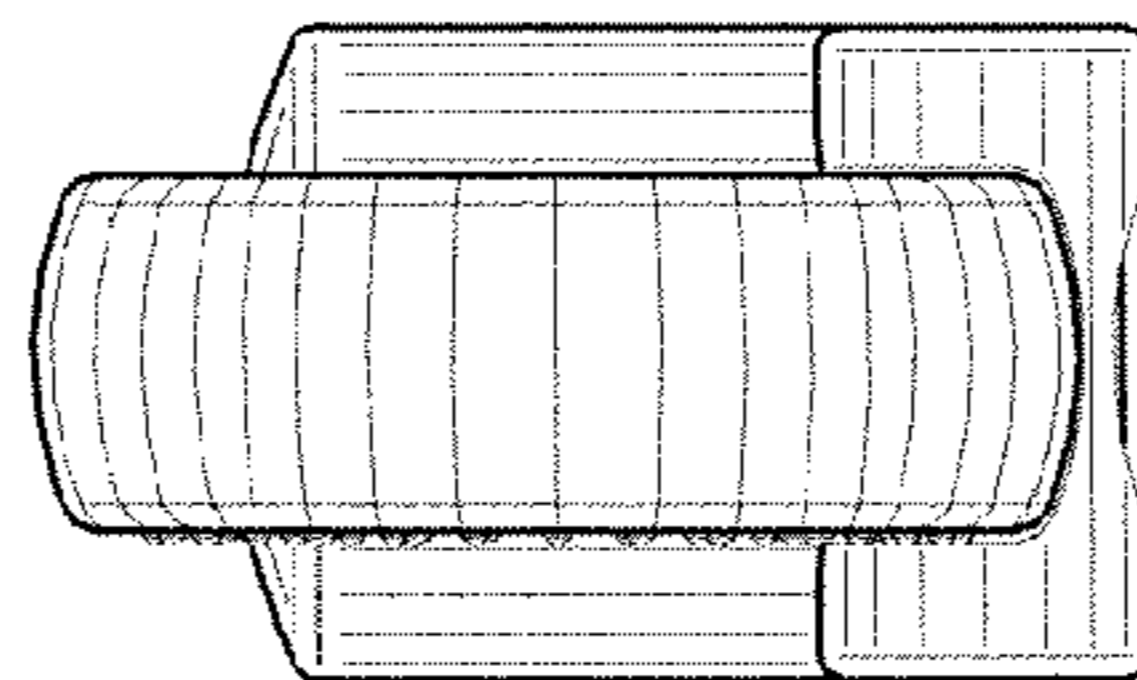


Fig. 7

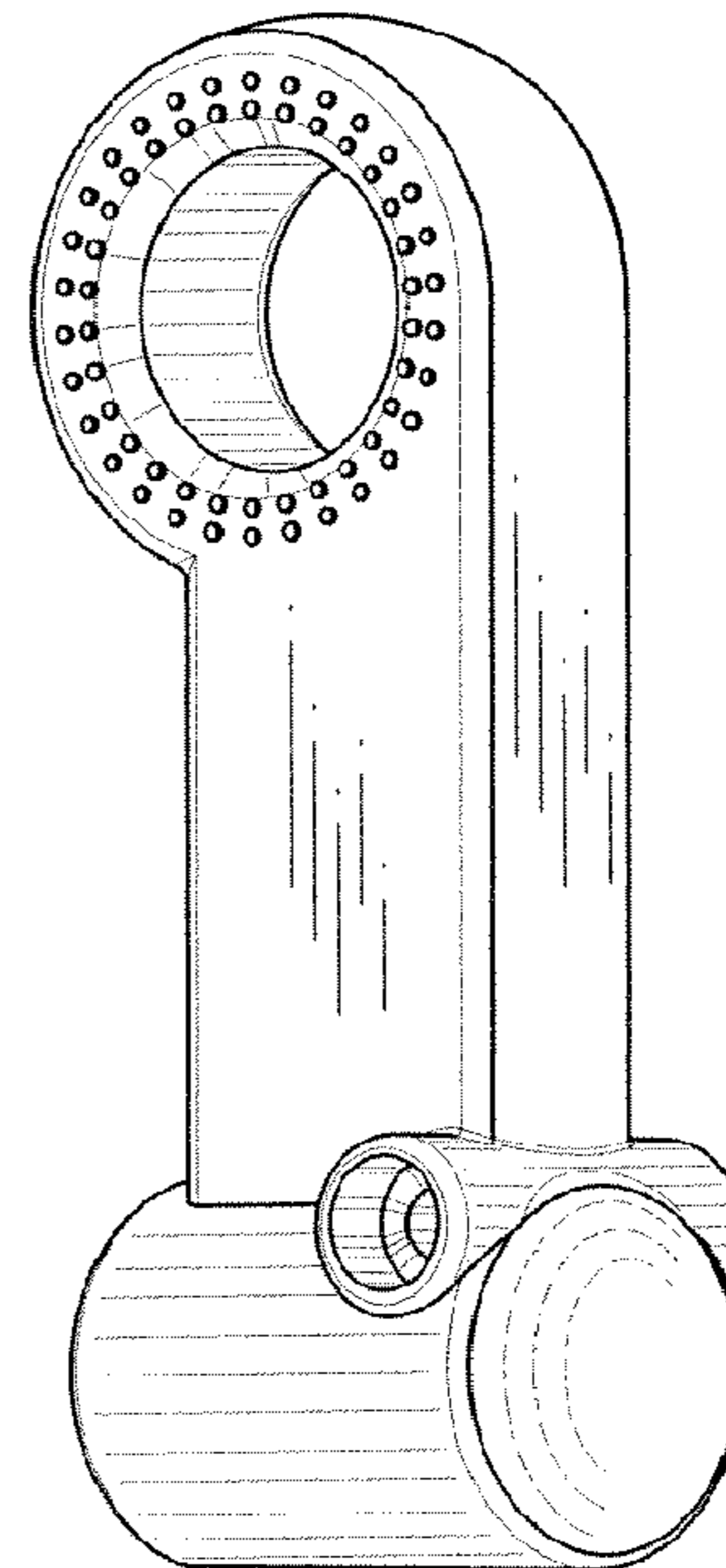


Fig. 6

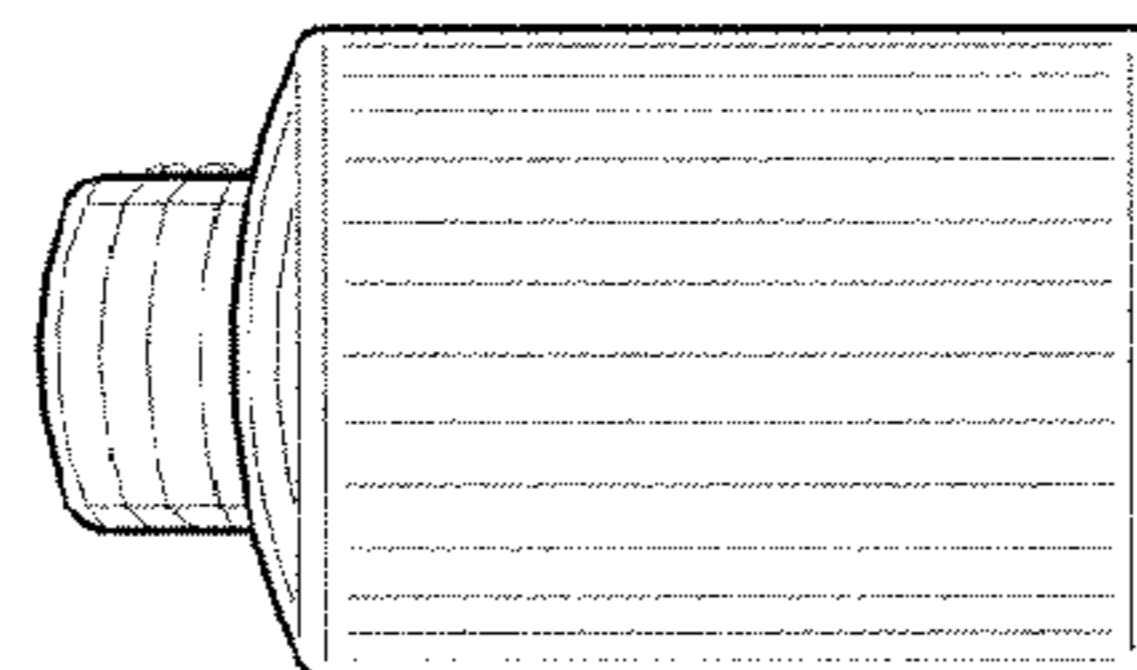


Fig. 8

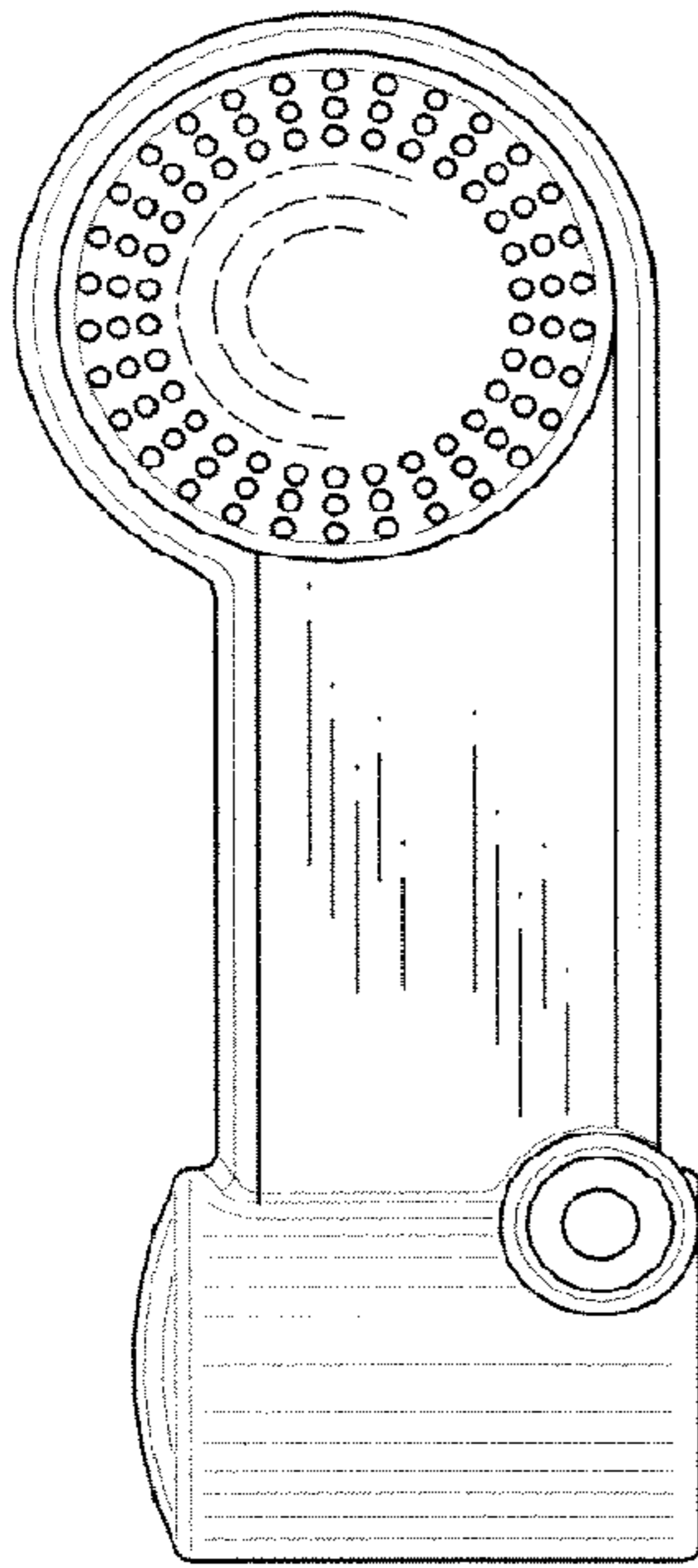


Fig. 9

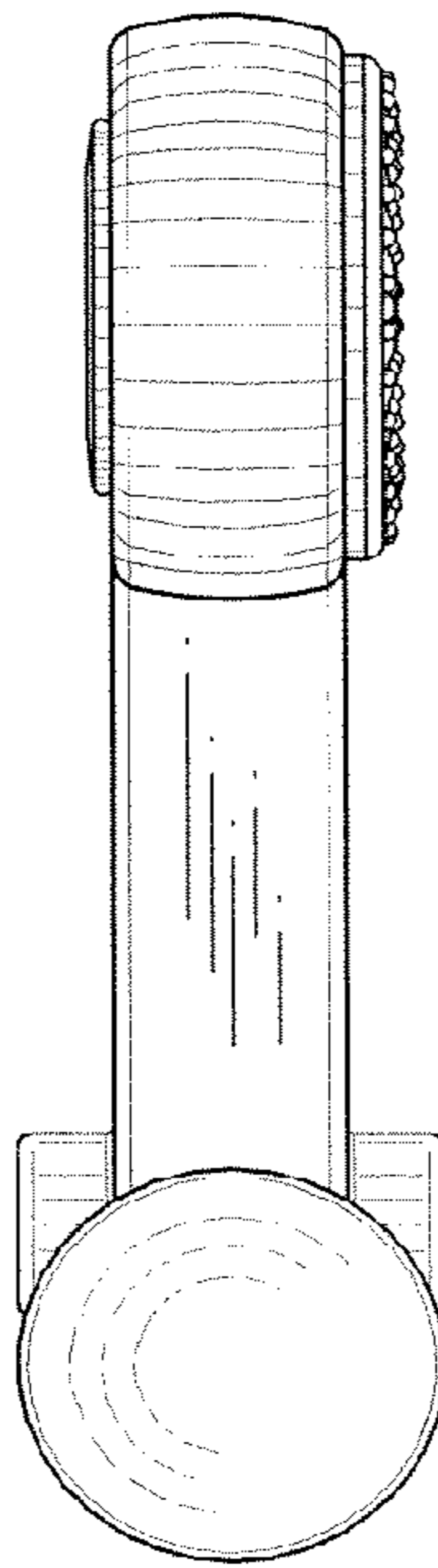


Fig. 10

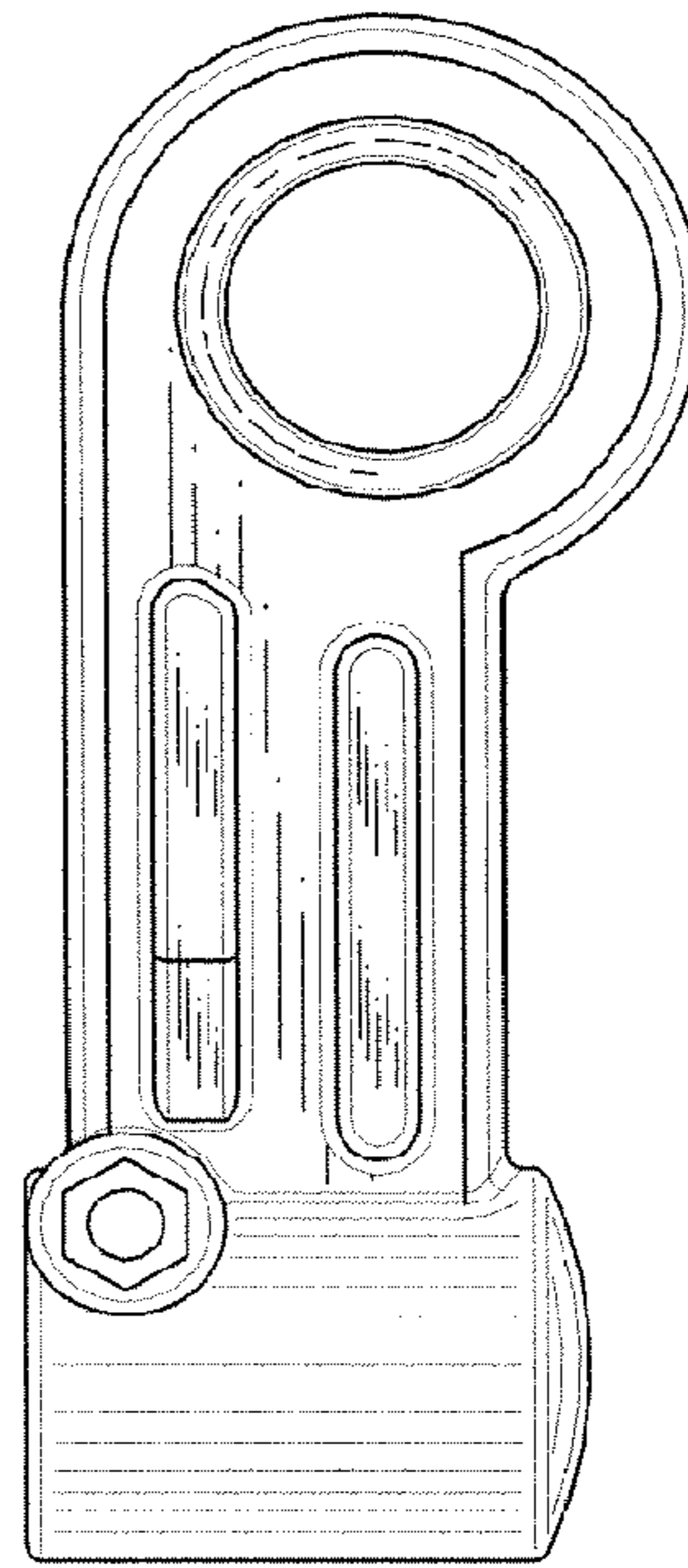


Fig. 11

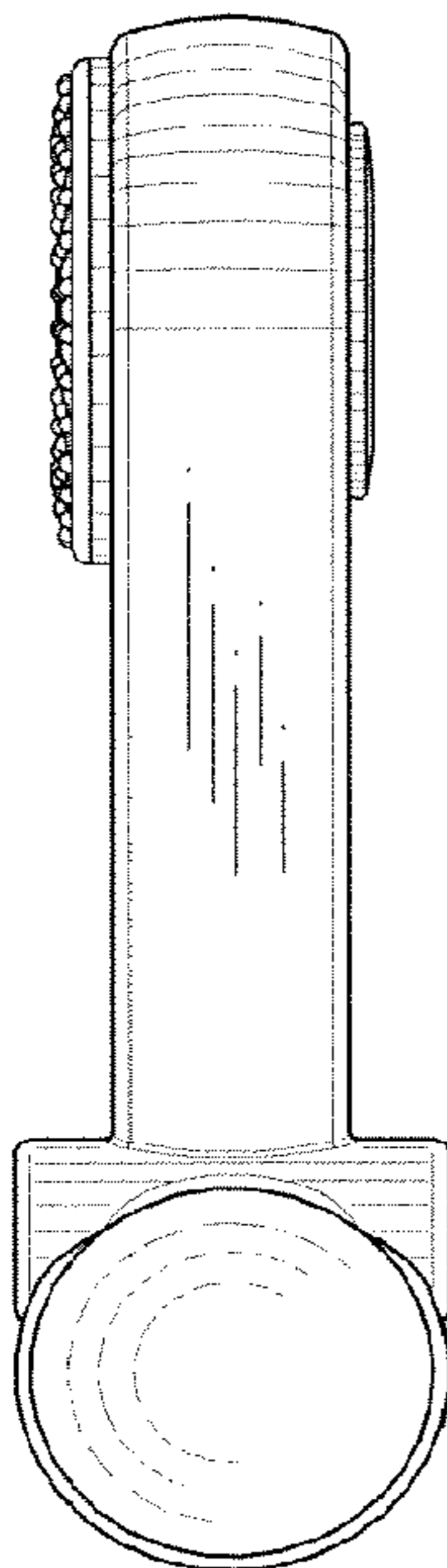


Fig. 12

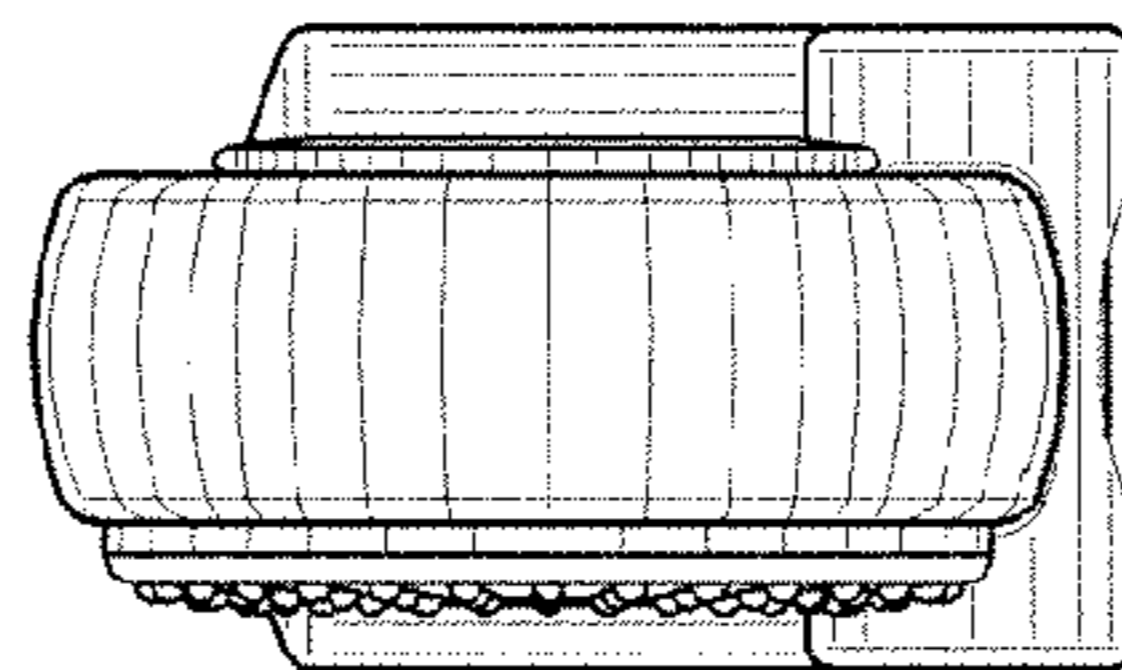


Fig. 13

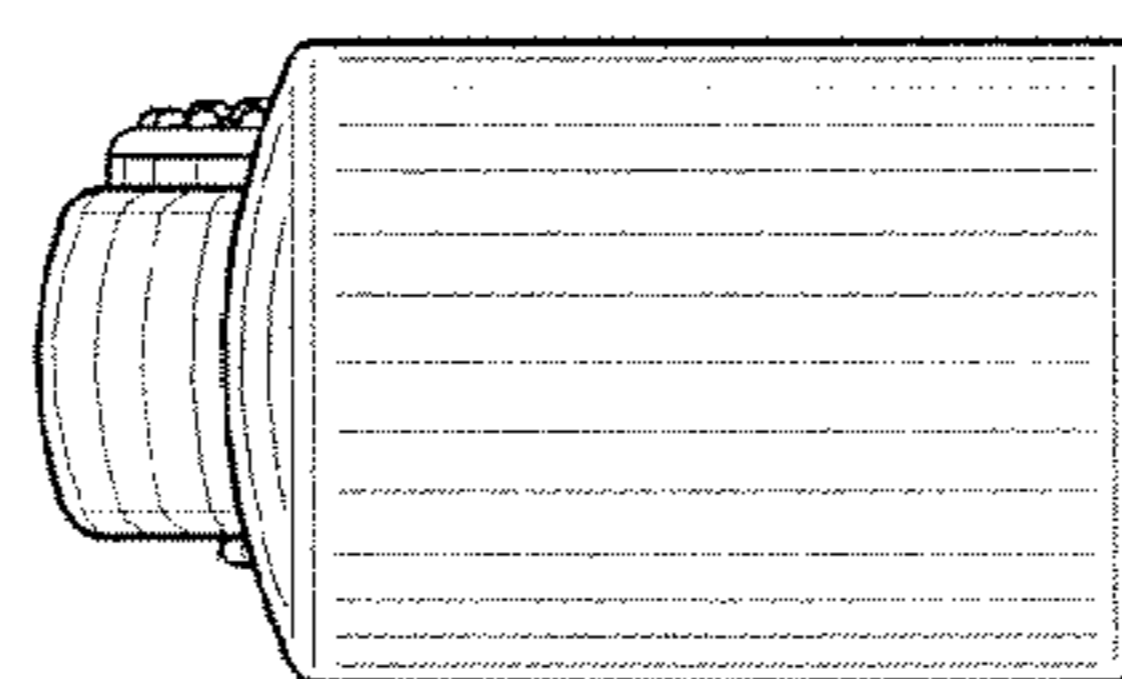


Fig. 14

