



US00D554968S

(12) **United States Design Patent** (10) **Patent No.:** **US D554,968 S**
Mattson et al. (45) **Date of Patent:** **** Nov. 13, 2007**

(54) **CABINET HANDLE**

(75) Inventors: **Deborah Mattson**, Plainwell, MI (US);
Scott A. Thor, Grand Rapids, MI (US);
Jonathan Lorenz, Grand Rapids, MI
(US); **Kevin Dewald**, Spring Lake, MI
(US)

(73) Assignee: **Belwith International, Ltd.**, Grand
Rapids, MI (US)

(**) Term: **14 Years**

(21) Appl. No.: **29/243,793**

(22) Filed: **Nov. 30, 2005**

(51) **LOC (8) Cl.** **08-06**

(52) **U.S. Cl.** **D8/300**

(58) **Field of Classification Search** D8/300,
D8/307, 310, 313, 314, 316, 317, 318, 321;
D13/171, 174; D23/250-254, 252; 16/441,
16/443, 444, 446; D28/33, 42, 57, 59; 132/275,
132/279; D25/21, 54, 57, 138, 154
See application file for complete search history.

(56) **References Cited**

U.S. PATENT DOCUMENTS

D179,001 S *	10/1956	Hayer	D8/319
D186,304 S *	10/1959	Aubrey et al.	D8/319
D194,968 S *	4/1963	Stelma	D8/317
D208,689 S *	9/1967	Morgan	D8/317
6,295,995 B1 *	10/2001	Ewaka	132/275
D471,620 S *	3/2003	Zhao	D23/252
D512,488 S *	12/2005	Kulig	D23/252

* cited by examiner

Primary Examiner—Paula A. Greene

(74) *Attorney, Agent, or Firm*—Rader, Fishman & Grauer
PLLC

(57) **CLAIM**

The ornamental design for cabinet handles, as shown and
described.

DESCRIPTION

FIG. 1 is a perspective view of a cabinet handle showing our
new design;

FIG. 2 is a perspective view of a second embodiment of a
cabinet handle showing our new design, the only difference
being the length;

FIG. 3 is a perspective view of a third handle.

FIG. 4 is a top view of the handle shown in FIG. 1.

FIG. 5 is a front view of the handle shown FIG. 1.

FIG. 6 is a top view of the handle shown in FIG. 2.

FIG. 7 is a front view of the handle shown in FIG. 2.

FIG. 8 is a side view of the handle shown in FIG. 3.

FIG. 9 is a front view of the handle shown in FIG. 3.

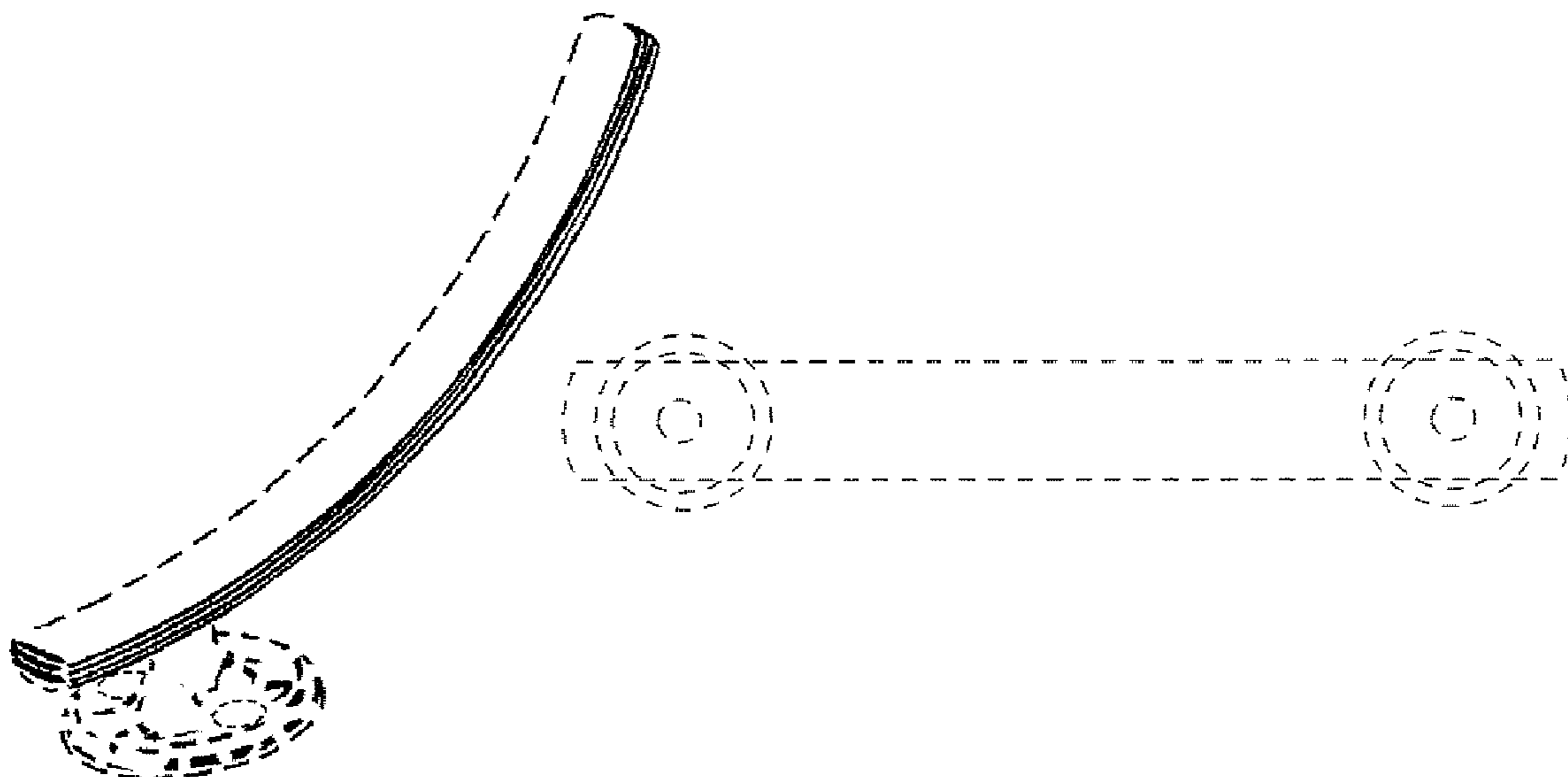
FIG. 10 is a bottom view of the handle shown in FIG. 3.

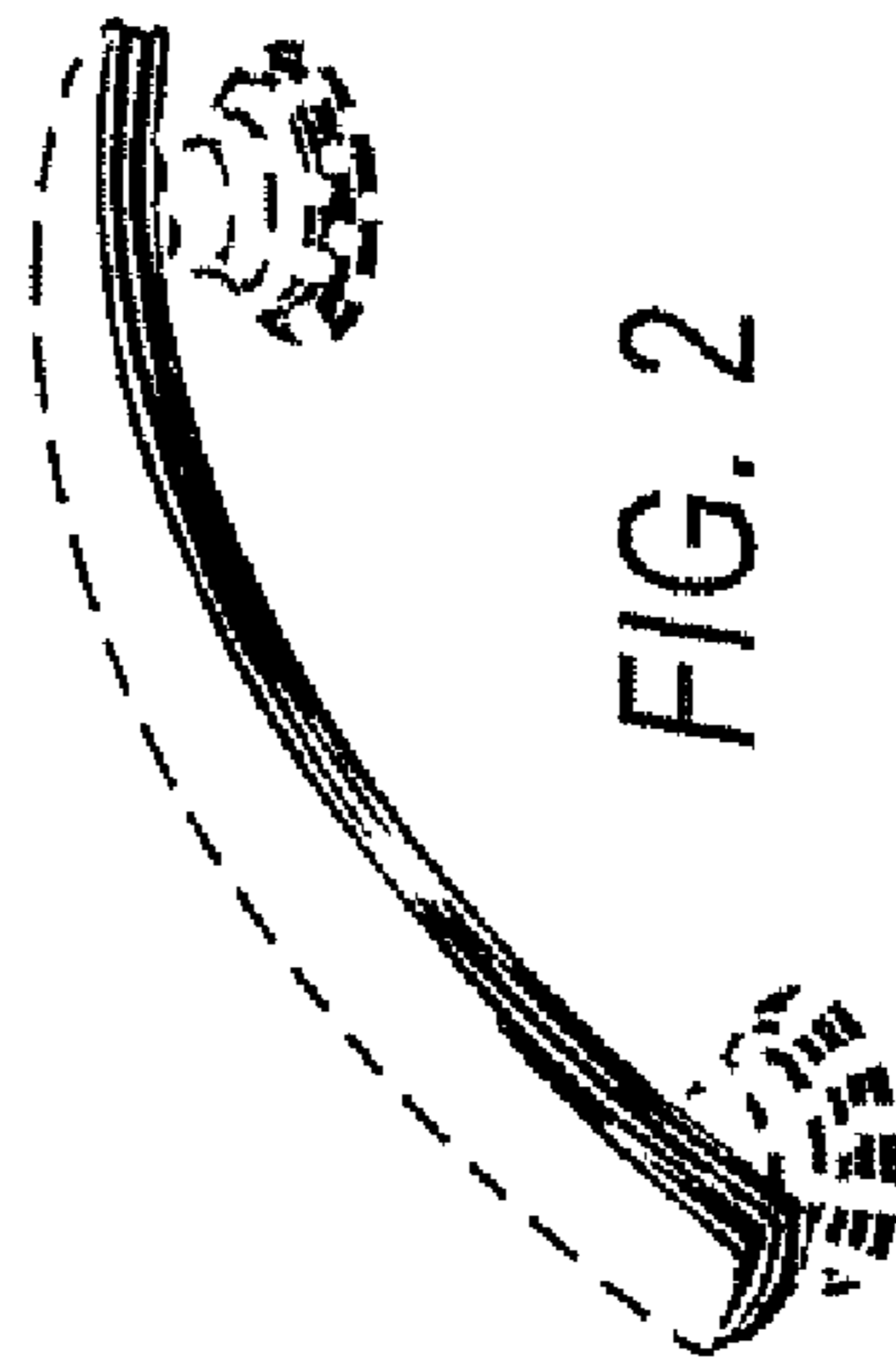
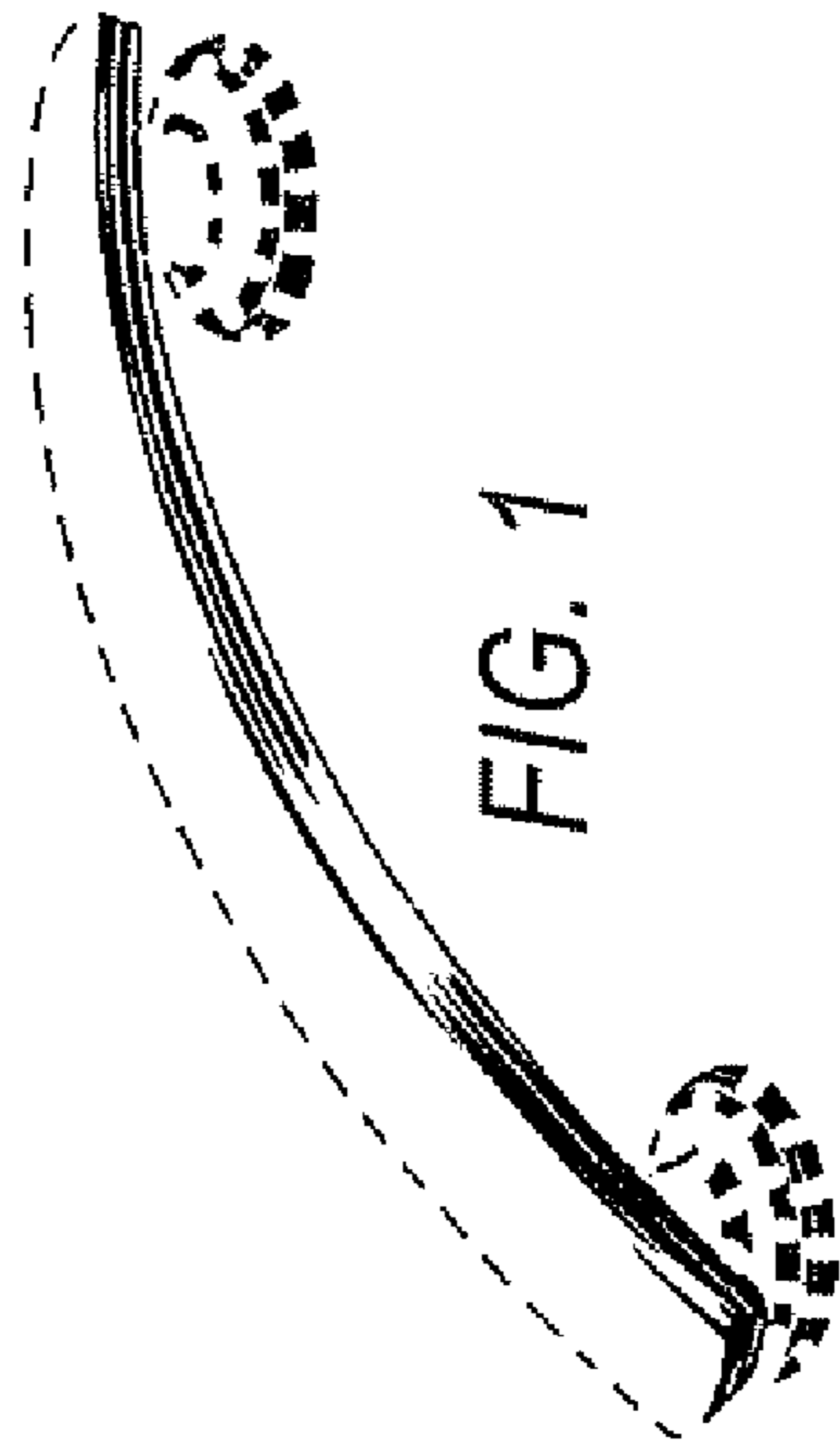
FIG. 11 is a cross section of the base portion of the handle
shown in FIG. 8, taken along lines 11-11 shown in FIG. 8;
and,

FIG. 12 is a cross section of the handle portion of the handle
shown in FIG. 8, taken along lines 12-12 shown in FIG. 8.

Portions of FIGS. 1-12 that are shown as broken lines are for
illustrative purposes only and form no part of the claimed
design.

1 Claim, 5 Drawing Sheets





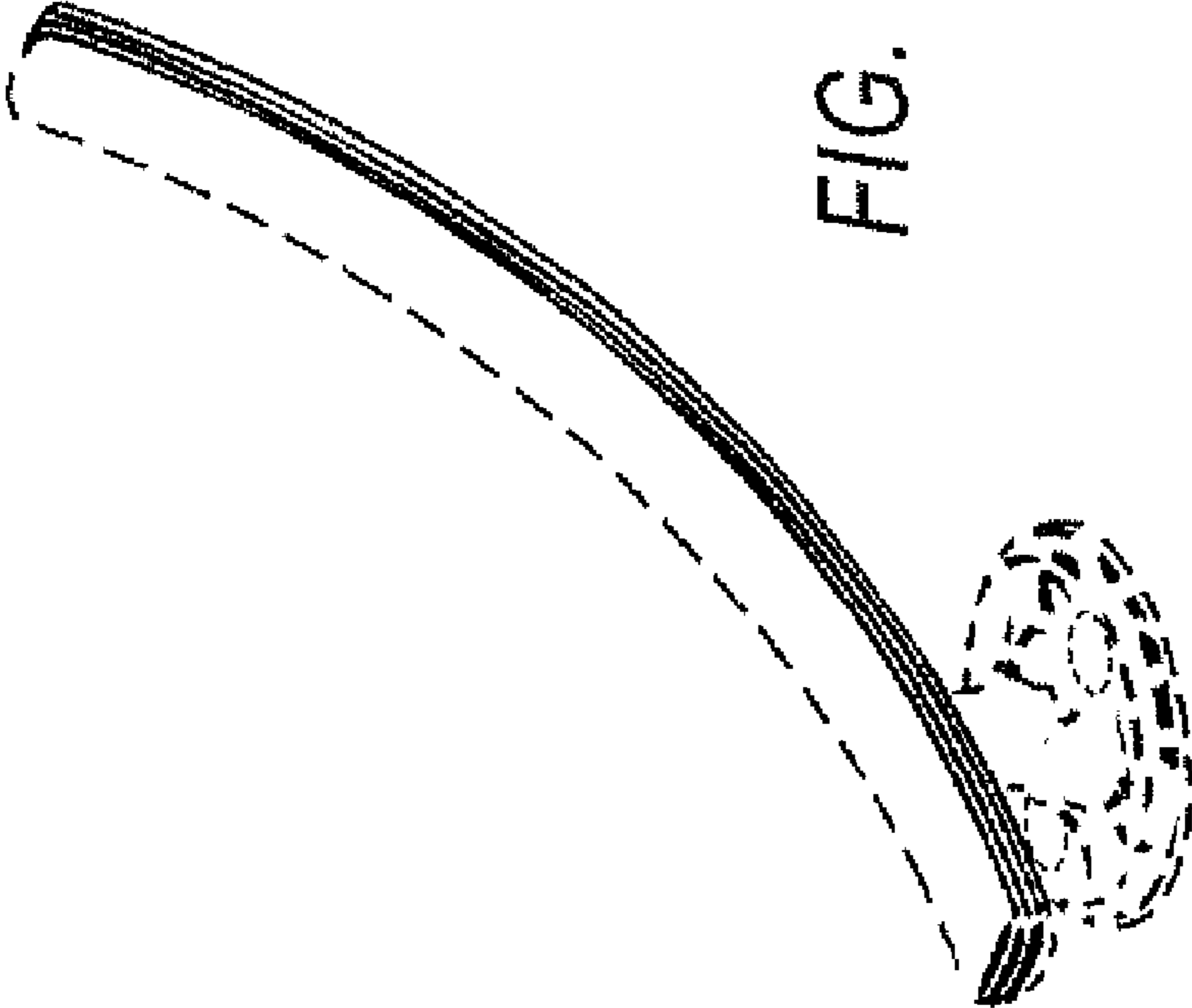


FIG. 3

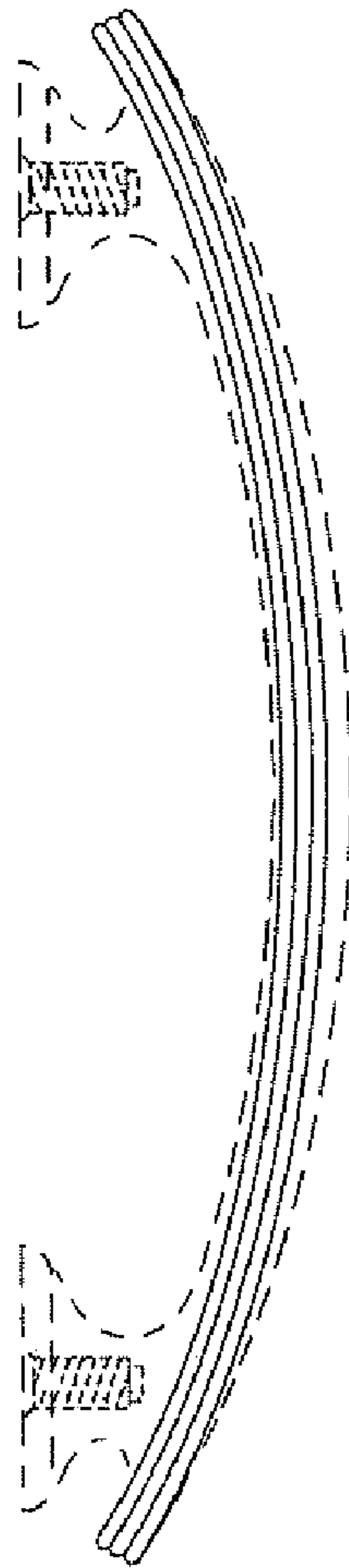


FIG. 4

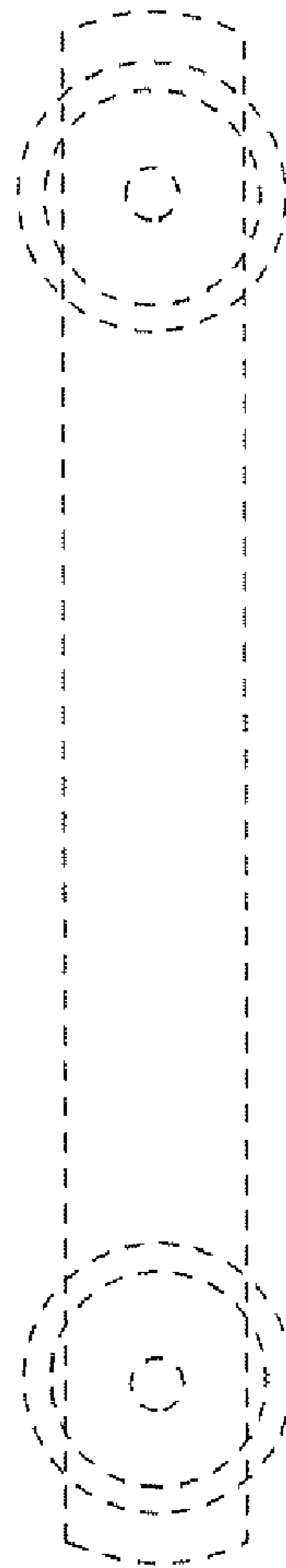


FIG. 5

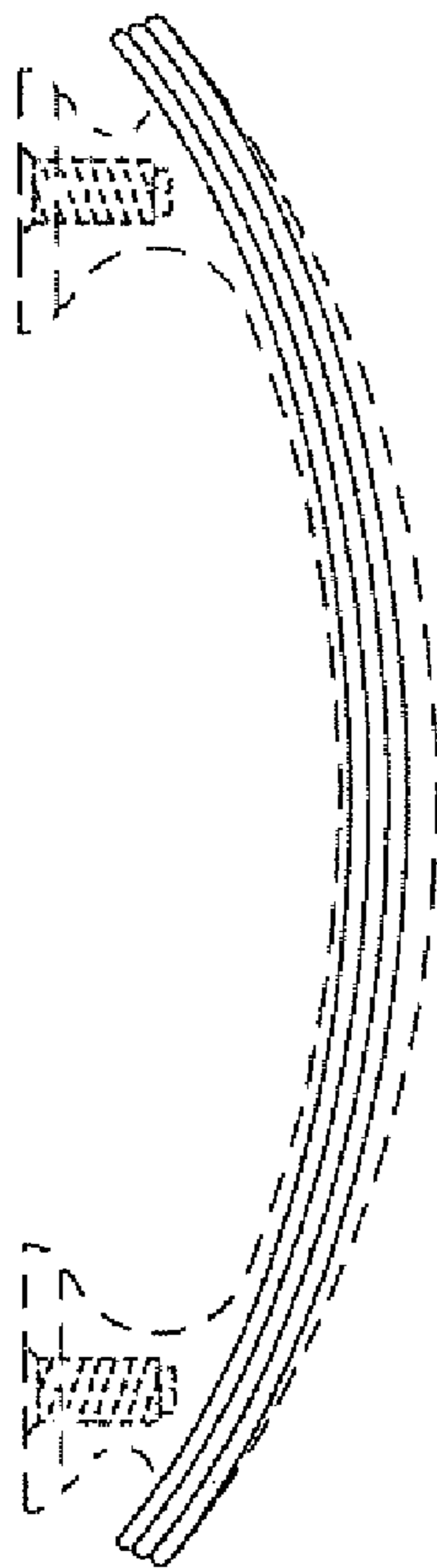


FIG. 6

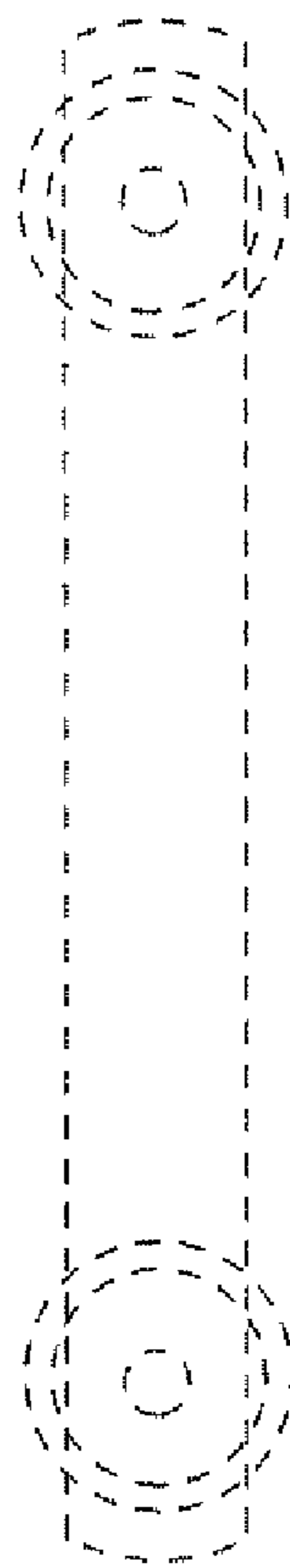


FIG. 7

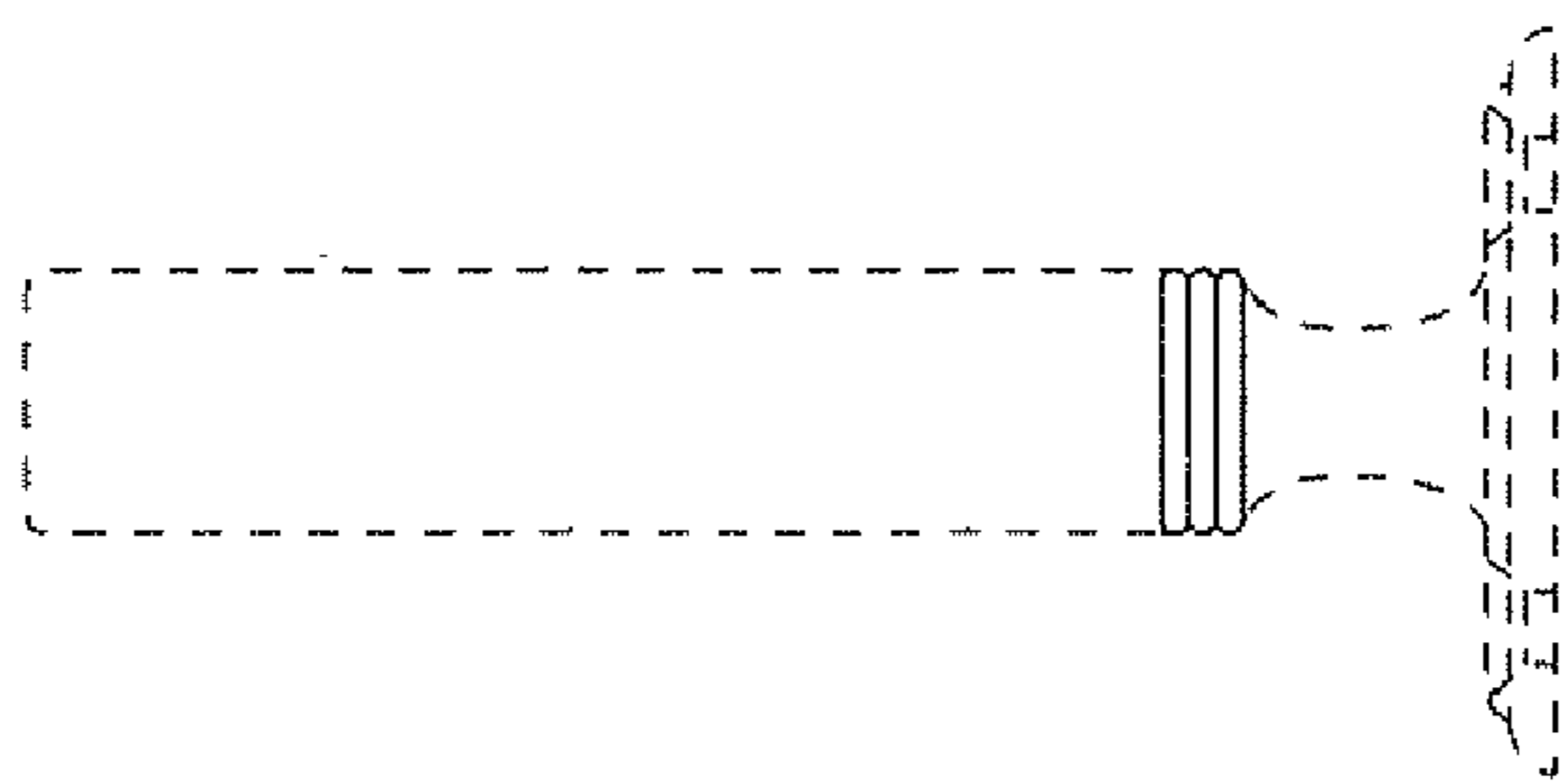


FIG. 10

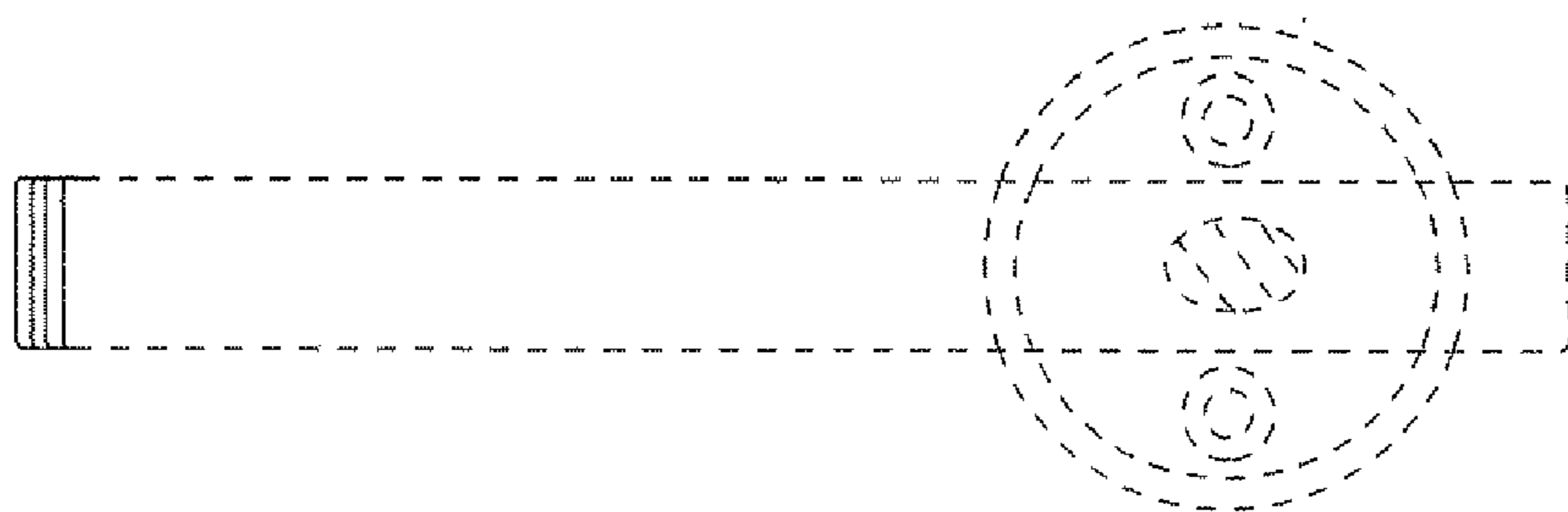


FIG. 9

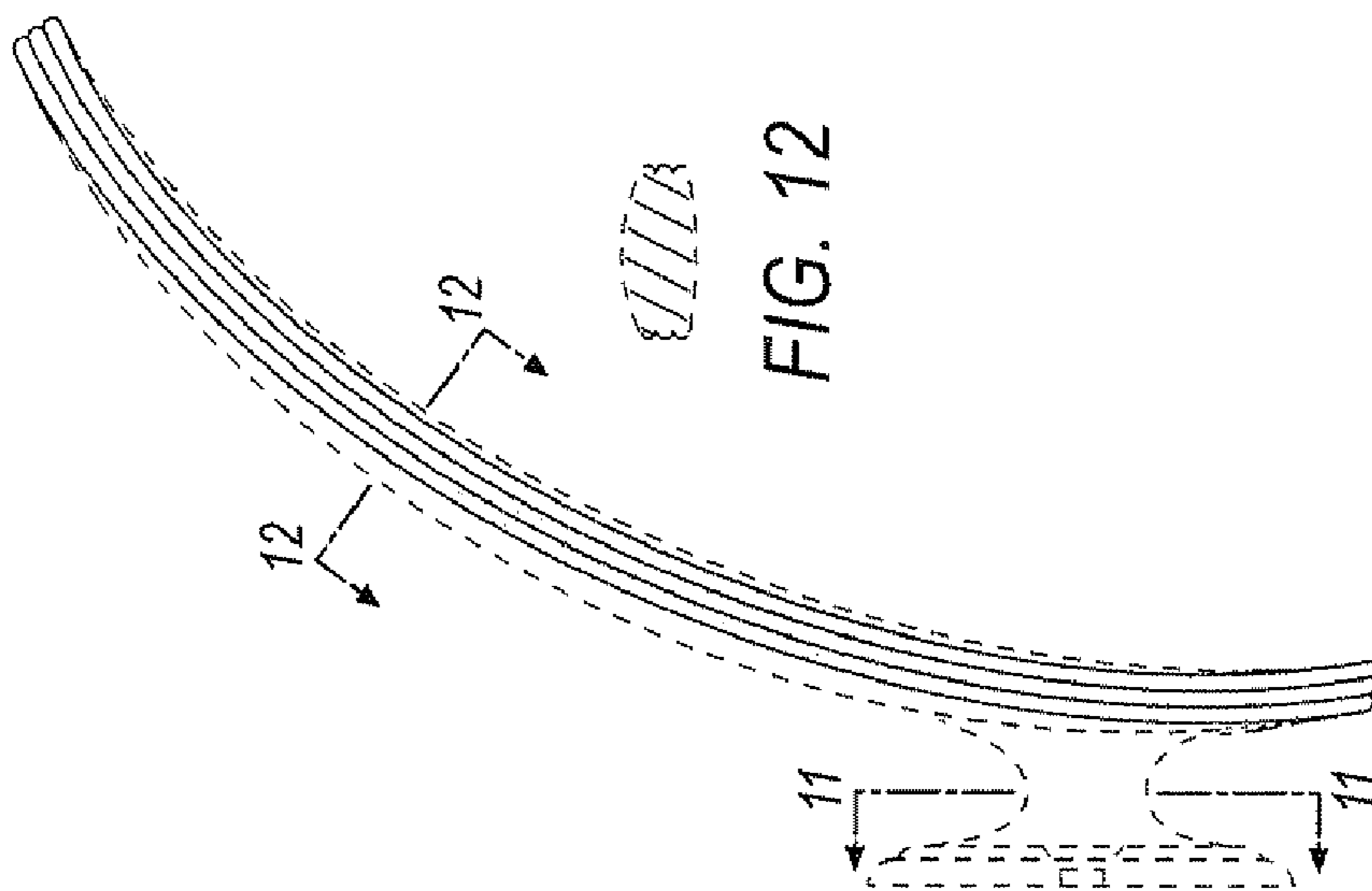


FIG. 8



FIG. 11

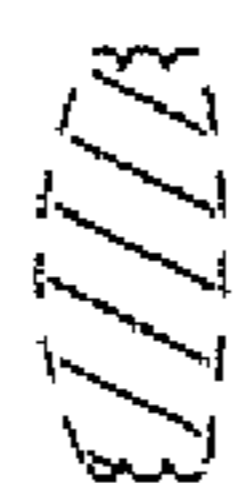


FIG. 12