



US00D554967S

(12) **United States Design Patent**  
**Lin**

(10) **Patent No.:** **US D554,967 S**

(45) **Date of Patent:** **\*\* Nov. 13, 2007**

(54) **TOOL HANDLE**

(75) Inventor: **Jack Lin**, Nantou County (TW)

(73) Assignee: **Yih Cheng Factory Co., Ltd.**, Nantou County (TW)

(\*\*) Term: **14 Years**

(21) Appl. No.: **29/268,959**

(22) Filed: **Nov. 17, 2006**

(51) **LOC (8) Cl.** ..... **08-04**

(52) **U.S. Cl.** ..... **D8/107**

(58) **Field of Classification Search** ..... D8/82-87,  
D8/107, 303; D21/777, 771; D24/147, 133,  
D24/127; D4/129, 138; 81/177.1, 177.4,  
81/436, 438, 439, 440, 489, 117.1, 480; 16/110.1;  
D32/15, 17, 24, 25, 38, 39  
See application file for complete search history.

(56) **References Cited**

**U.S. PATENT DOCUMENTS**

D386,382 S *	11/1997	Shiao	.....	D8/107
D414,095 S *	9/1999	Hoepfl et al.	.....	D8/83
D422,475 S *	4/2000	Su	.....	D8/83
D444,047 S *	6/2001	Chen	.....	D8/83
D446,706 S *	8/2001	Kalomeris et al.	.....	D8/83
D510,692 S *	10/2005	Walker	.....	D8/83

D526,184 S *	8/2006	Yu et al.	.....	D8/107
D526,554 S *	8/2006	Chen	.....	D8/83
D526,875 S *	8/2006	Chen	.....	D8/83
D533,428 S *	12/2006	Tsai	.....	D8/107
2004/0163501 A1 *	8/2004	Chen	.....	81/177.1

\* cited by examiner

*Primary Examiner*—Cathron C. Brooks

*Assistant Examiner*—Barbara Fox

(74) *Attorney, Agent, or Firm*—Banger Shia

(57) **CLAIM**

I claim the ornamental design for a tool handle, as shown and described.

**DESCRIPTION**

FIG. 1 is a perspective view of a tool handle, showing my new design;

FIG. 2 is a front elevational view thereof;

FIG. 3 is a rear elevational view thereof;

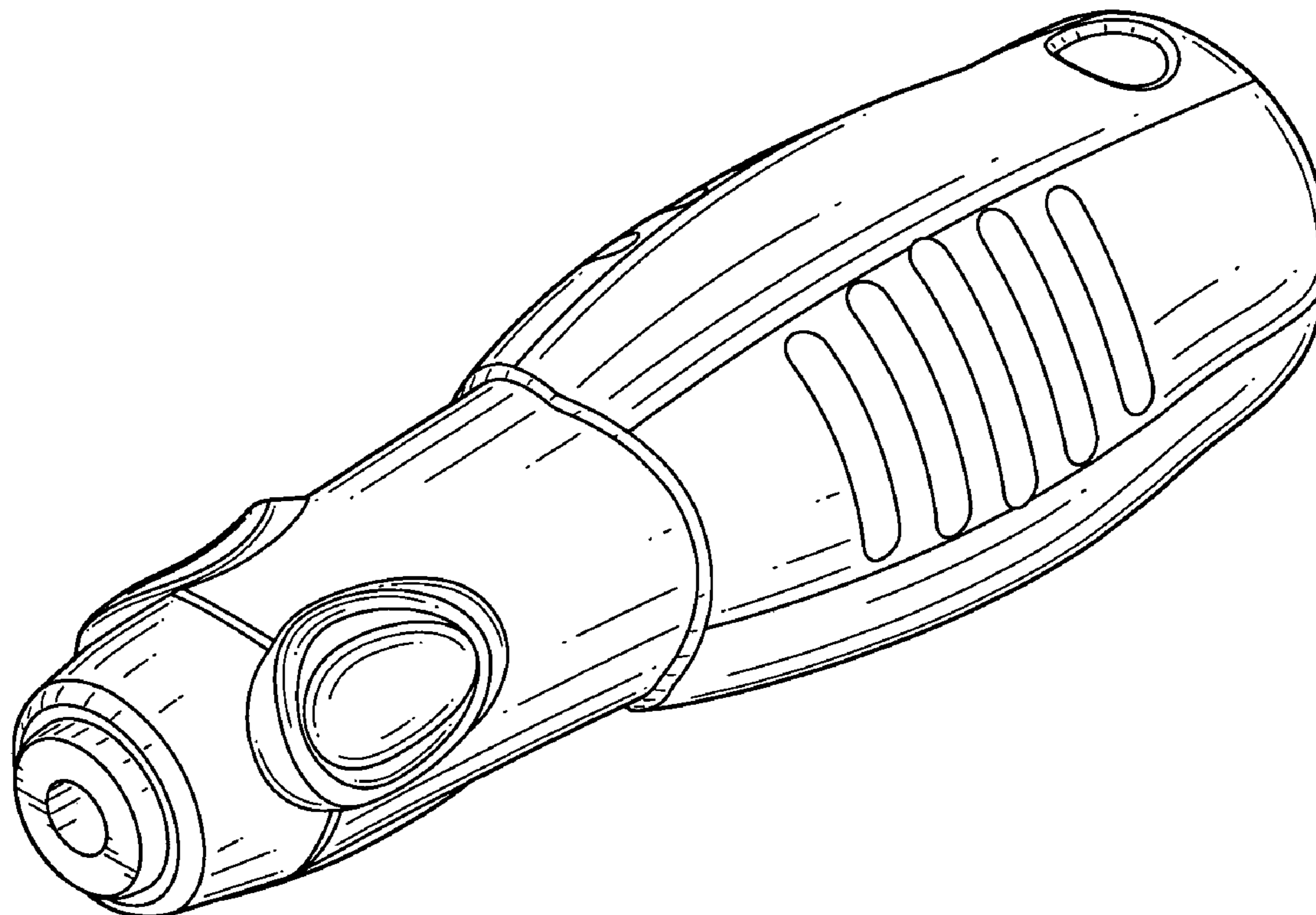
FIG. 4 is a left side elevational view thereof;

FIG. 5 is a right side elevational view thereof;

FIG. 6 is a top plan view thereof; and,

FIG. 7 is a bottom plan view thereof.

**1 Claim, 7 Drawing Sheets**



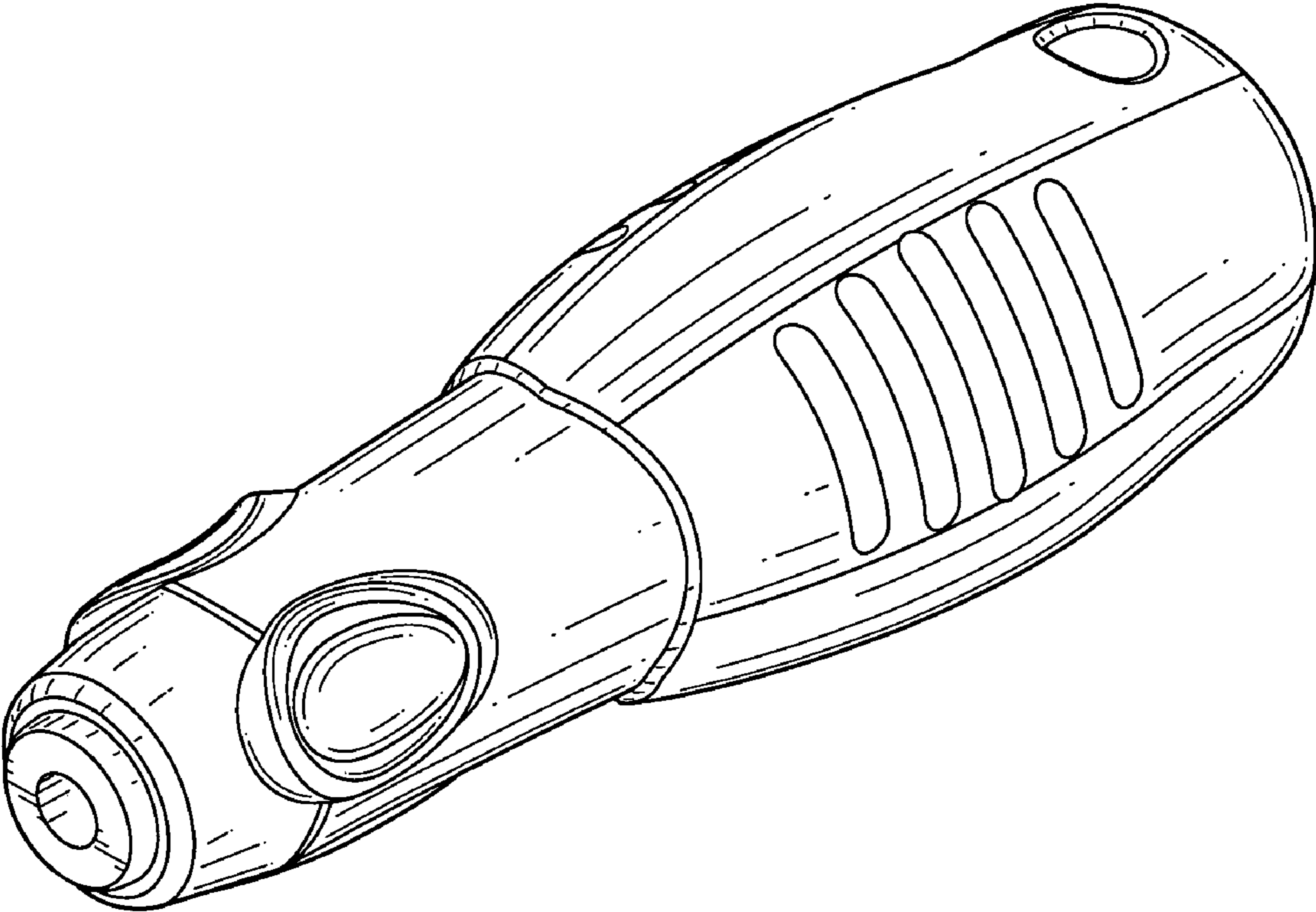


FIG. 1

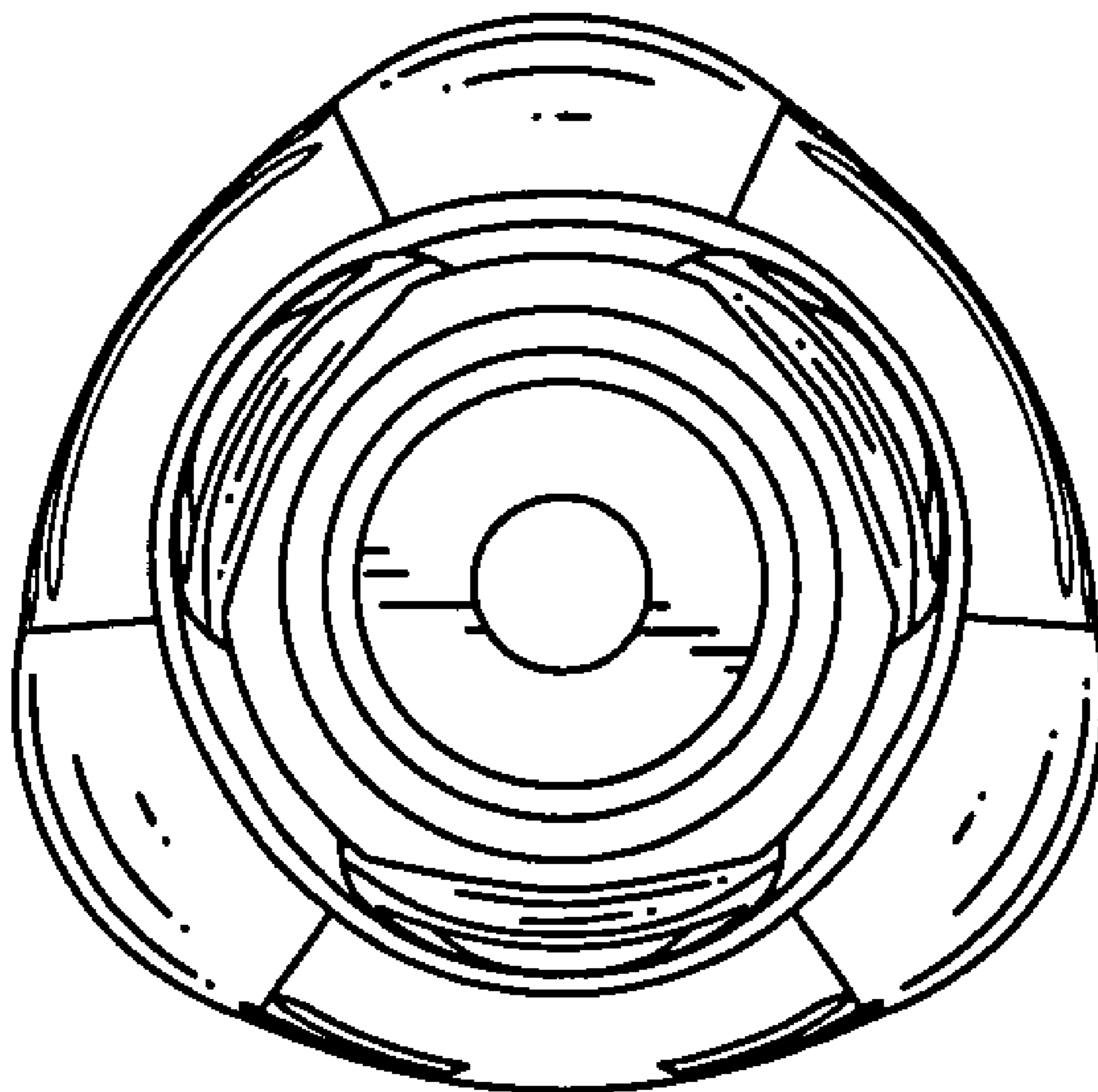


FIG. 2

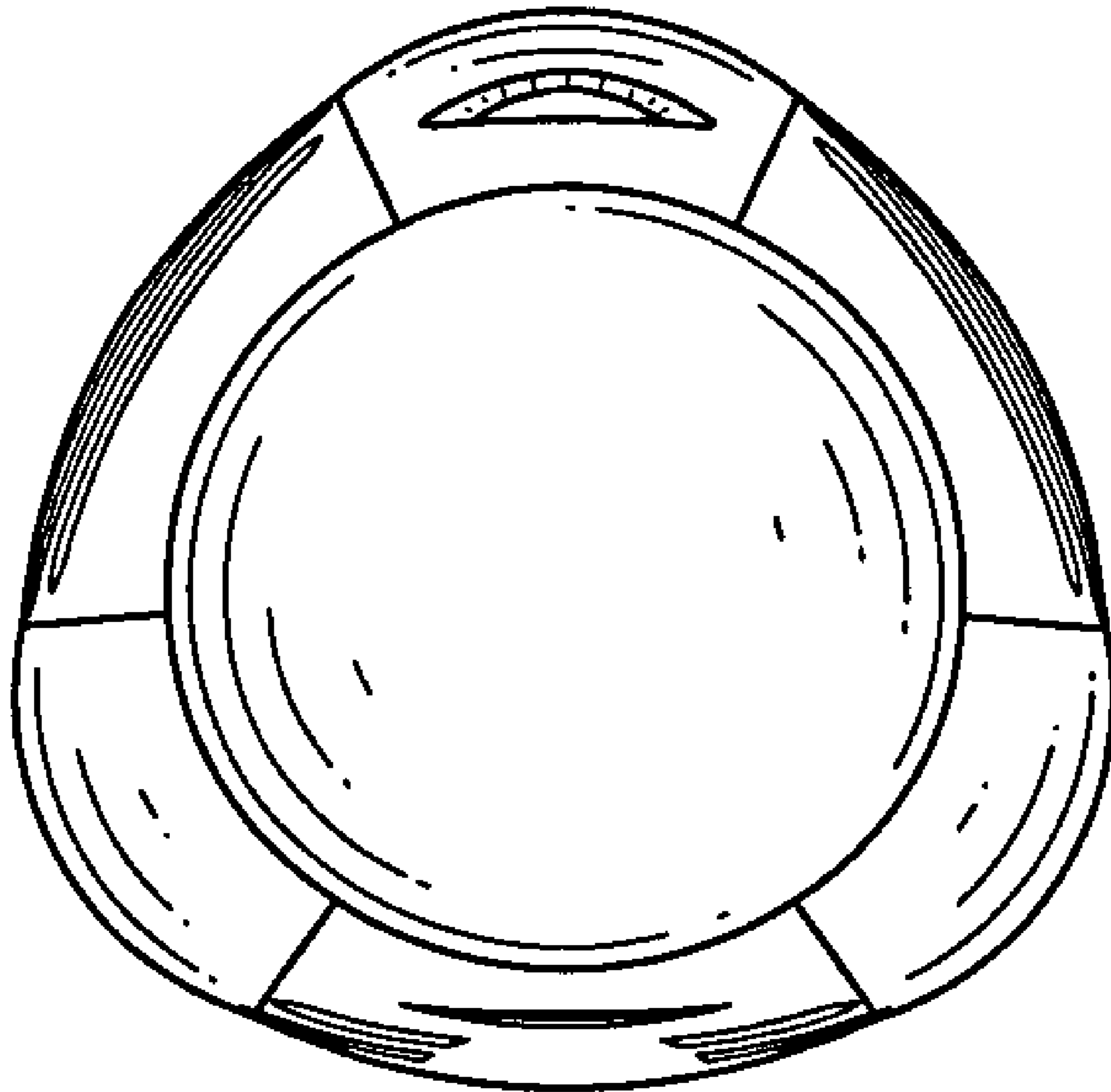


FIG. 3

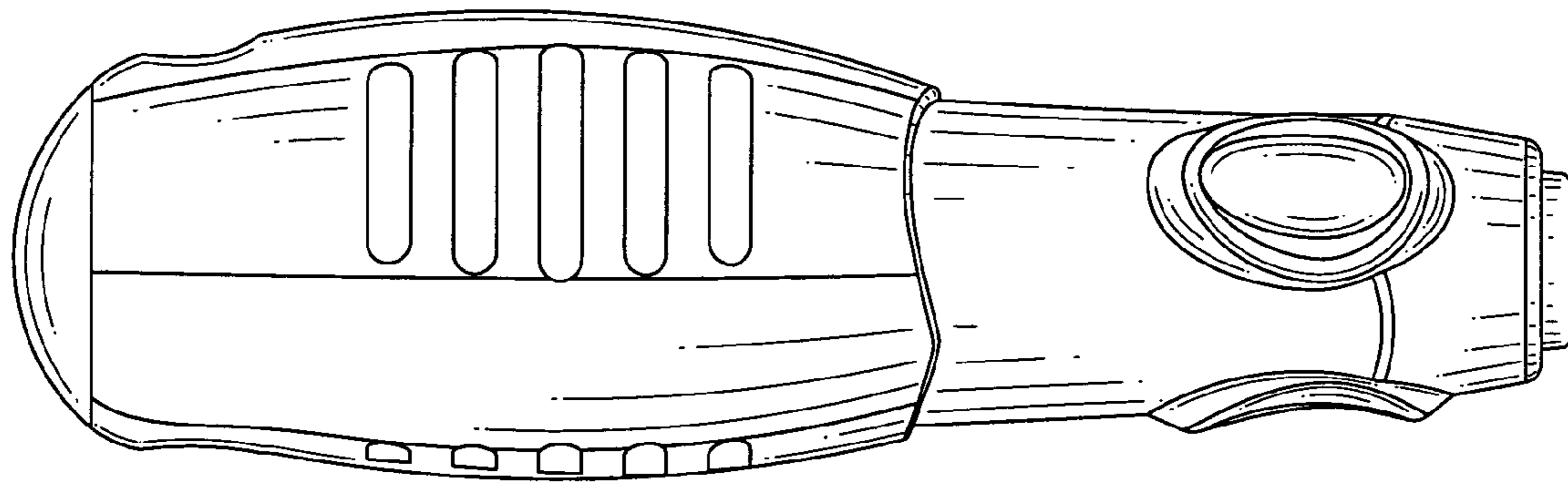


FIG. 4

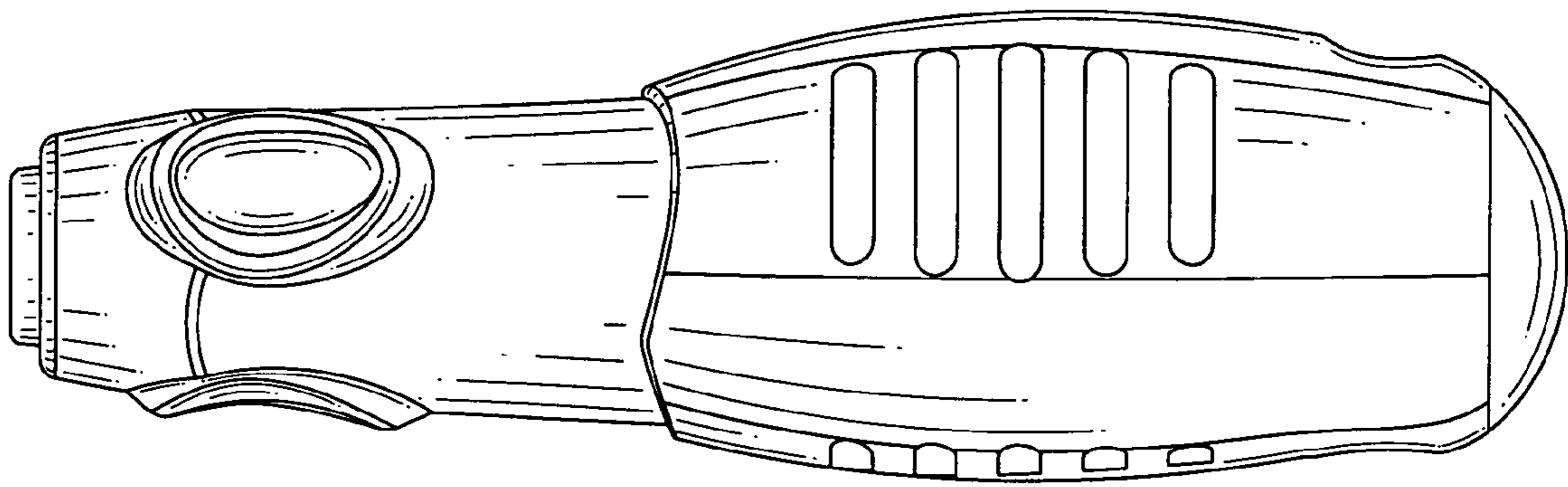


FIG. 5

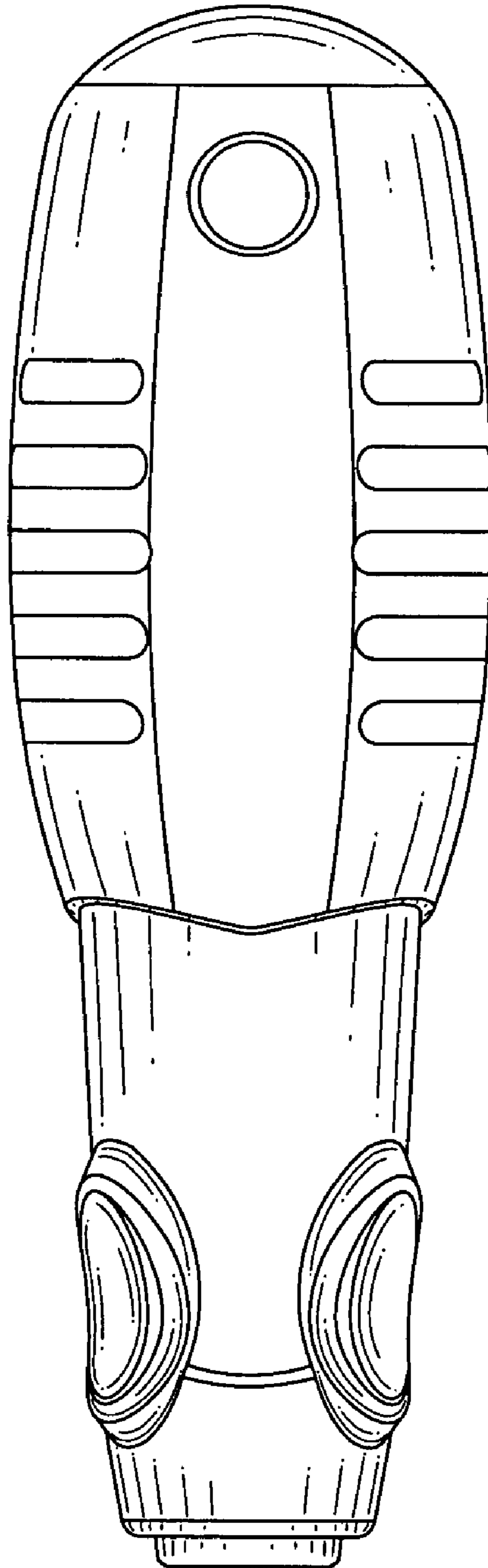


FIG. 6

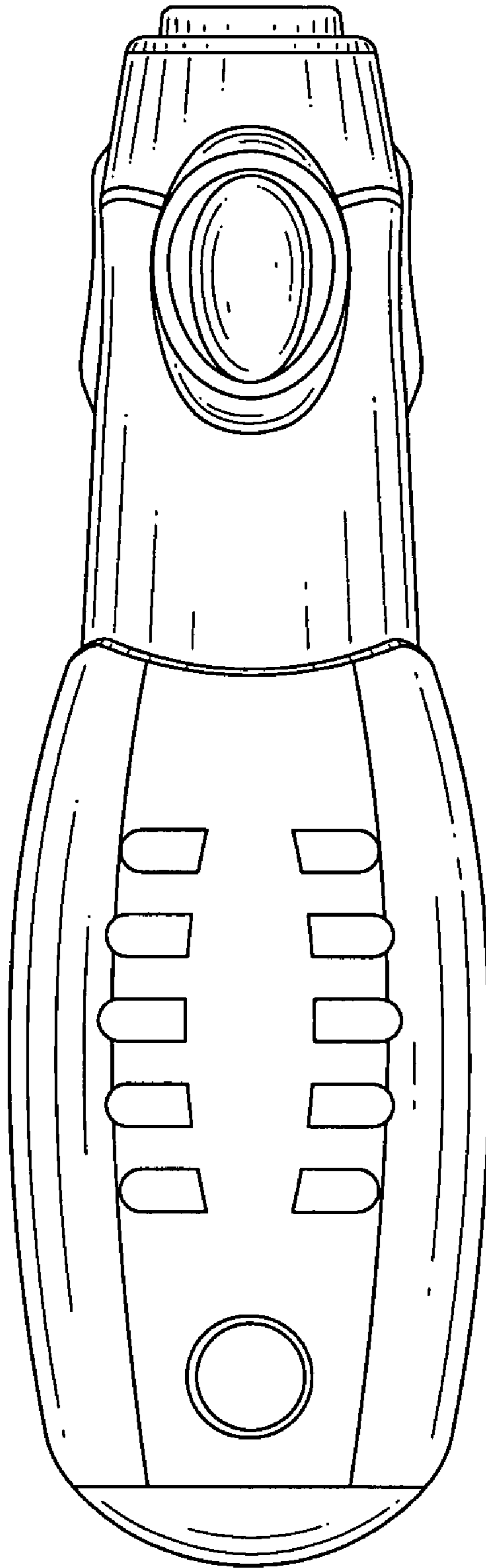


FIG. 7