



US00D554966S

(12) **United States Design Patent**
Asfahl

(10) **Patent No.:** **US D554,966 S**

(45) **Date of Patent:** **** Nov. 13, 2007**

(54) **HANDLE POSITIONER FOR A HAWK**

2,532,979 A * 12/1950 Wilson 451/524
D290,219 S * 6/1987 Boone D8/45
4,753,471 A * 6/1988 Gringer 294/3.5

(75) Inventor: **Erica R. Asfahl**, Fayetteville, AR (US)

* cited by examiner

(73) Assignee: **Marshalltown Company**,
Marshalltown, IA (US)

Primary Examiner—Alan P. Douglas

Assistant Examiner—Barbara Fox

(**) Term: **14 Years**

(74) *Attorney, Agent, or Firm*—Shook, Hardy & Bacon,
L.L.P.

(21) Appl. No.: **29/249,088**

(57) **CLAIM**

(22) Filed: **Sep. 20, 2006**

The ornamental design for a handle positioner for a hawk, as shown and described.

(51) **LOC (8) Cl.** **08-05**

(52) **U.S. Cl.** **D8/107**

(58) **Field of Classification Search** D8/107,
D8/45; 15/235.6, 235.4, 235.8, 236.07; 16/110.1,
16/422; 294/3.5

DESCRIPTION

See application file for complete search history.

FIG. 1 is a top, front perspective view of a handle positioner for a hawk showing the new design;

FIG. 2 is a front elevation view thereof;

(56) **References Cited**

U.S. PATENT DOCUMENTS

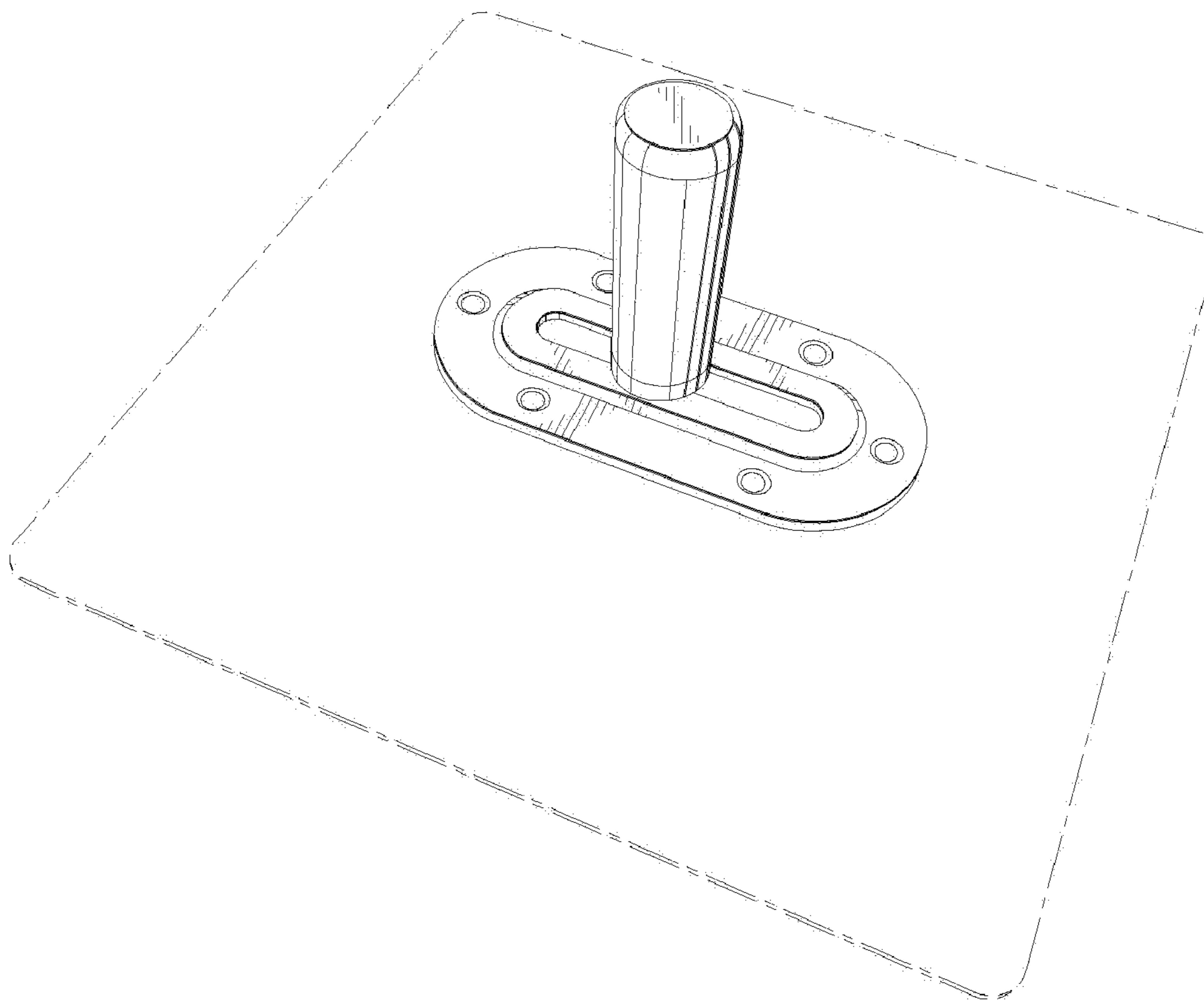
832,036 A * 10/1906 Bunker 294/3.5
963,143 A * 7/1910 Hansen 294/3.5
1,482,452 A * 2/1924 Williams 16/422
1,515,437 A * 11/1924 Heald 294/3.5
1,773,437 A * 8/1930 Riege 294/3.5
1,865,885 A * 7/1932 Byhre 294/3.5

FIG. 3 is a right side elevational view thereof, a left side elevational view thereof being a mirror image of the right side elevational view; and,

FIG. 4 is a top plan view thereof.

The broken lines showing the hawk plate are for illustrative purposes only and form no part of the claimed design.

1 Claim, 2 Drawing Sheets



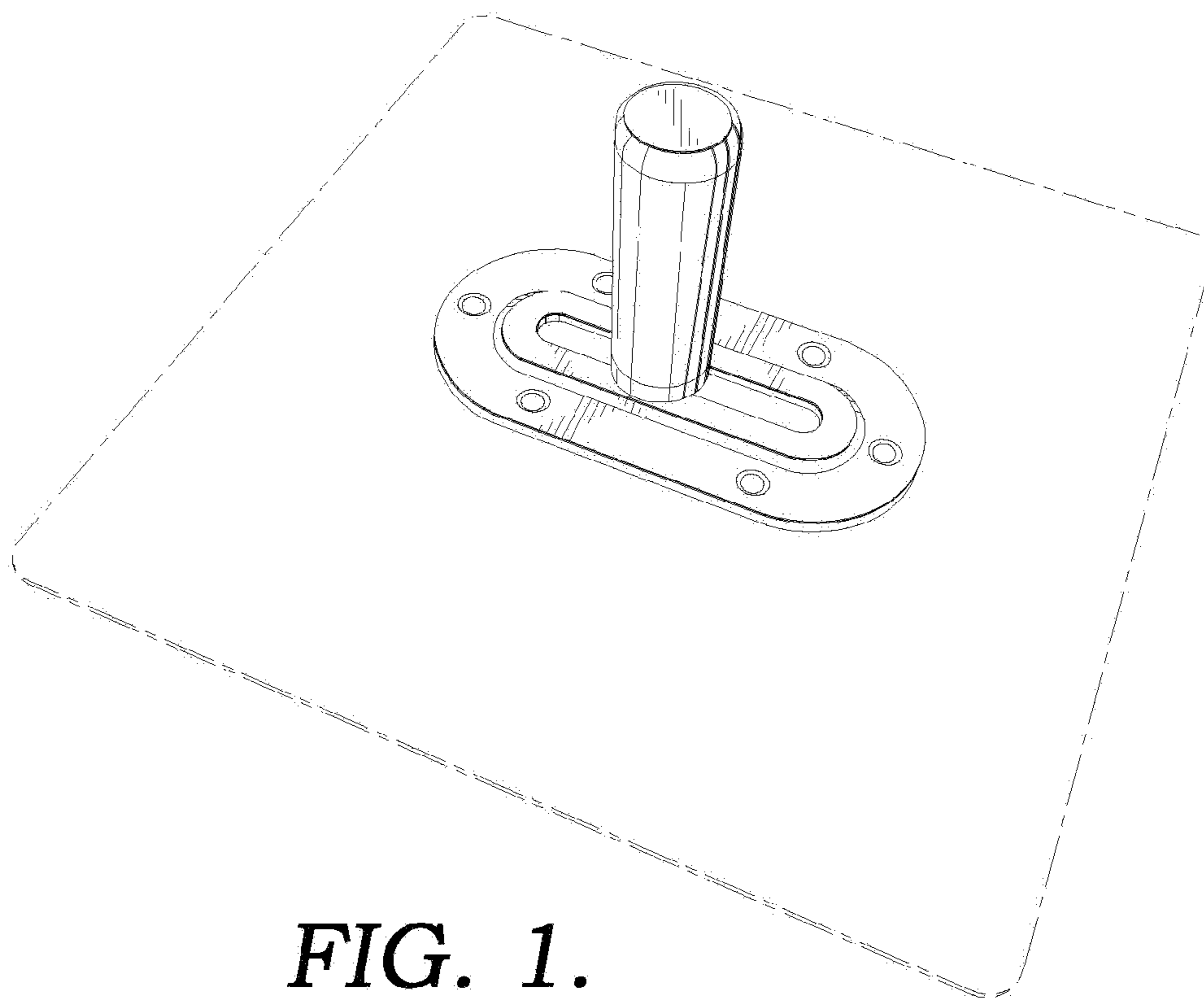


FIG. 1.

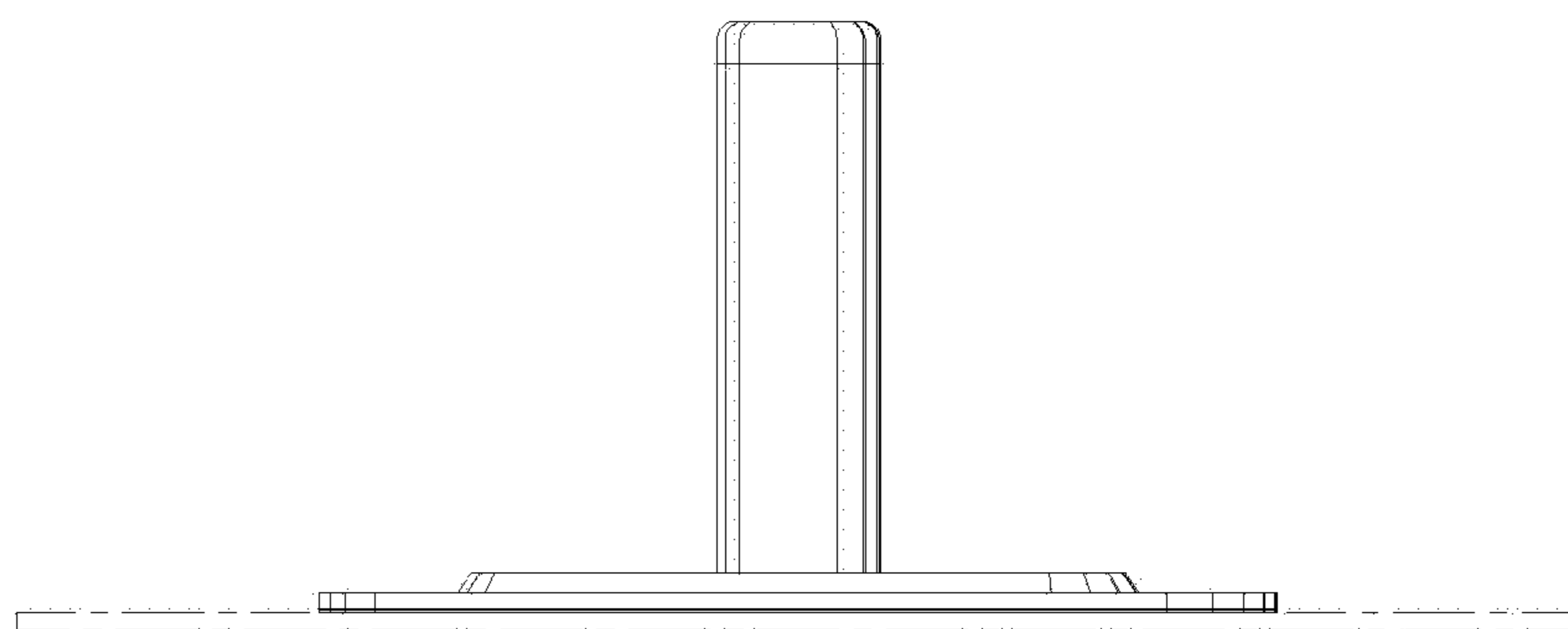


FIG. 2.

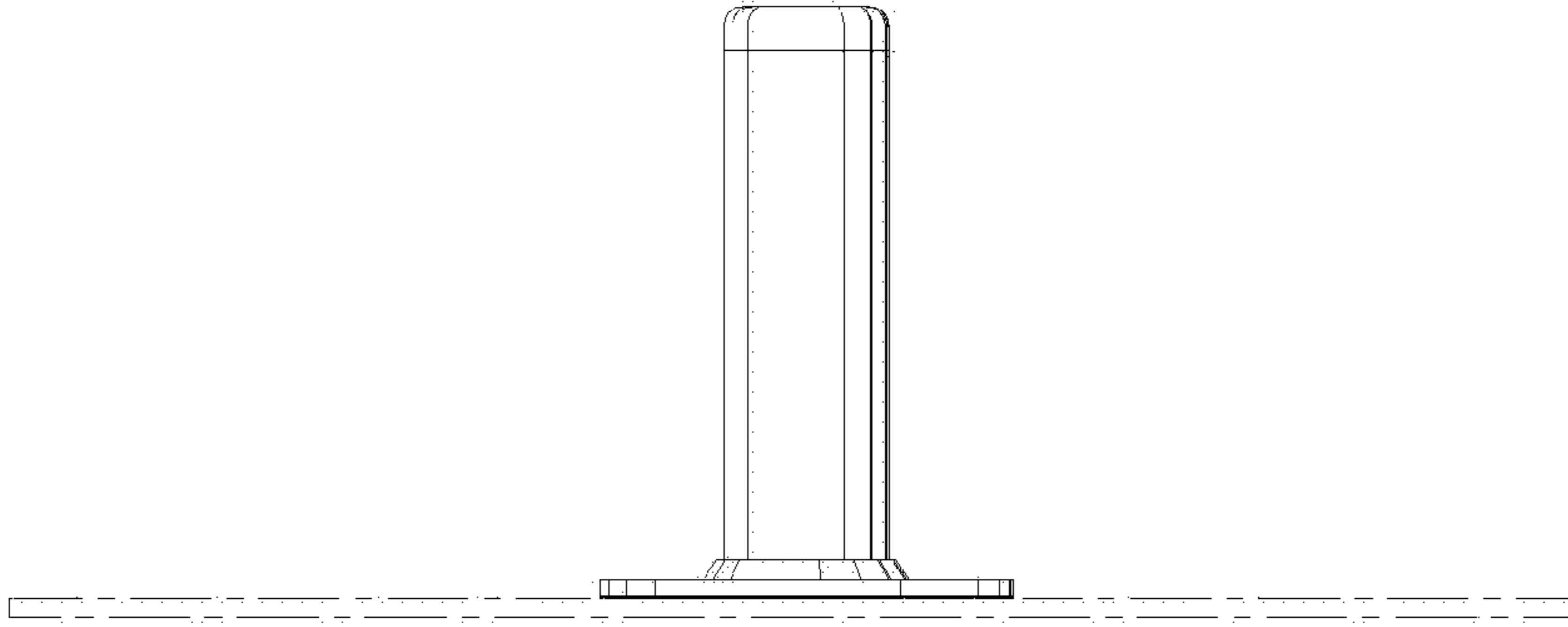


FIG. 3.

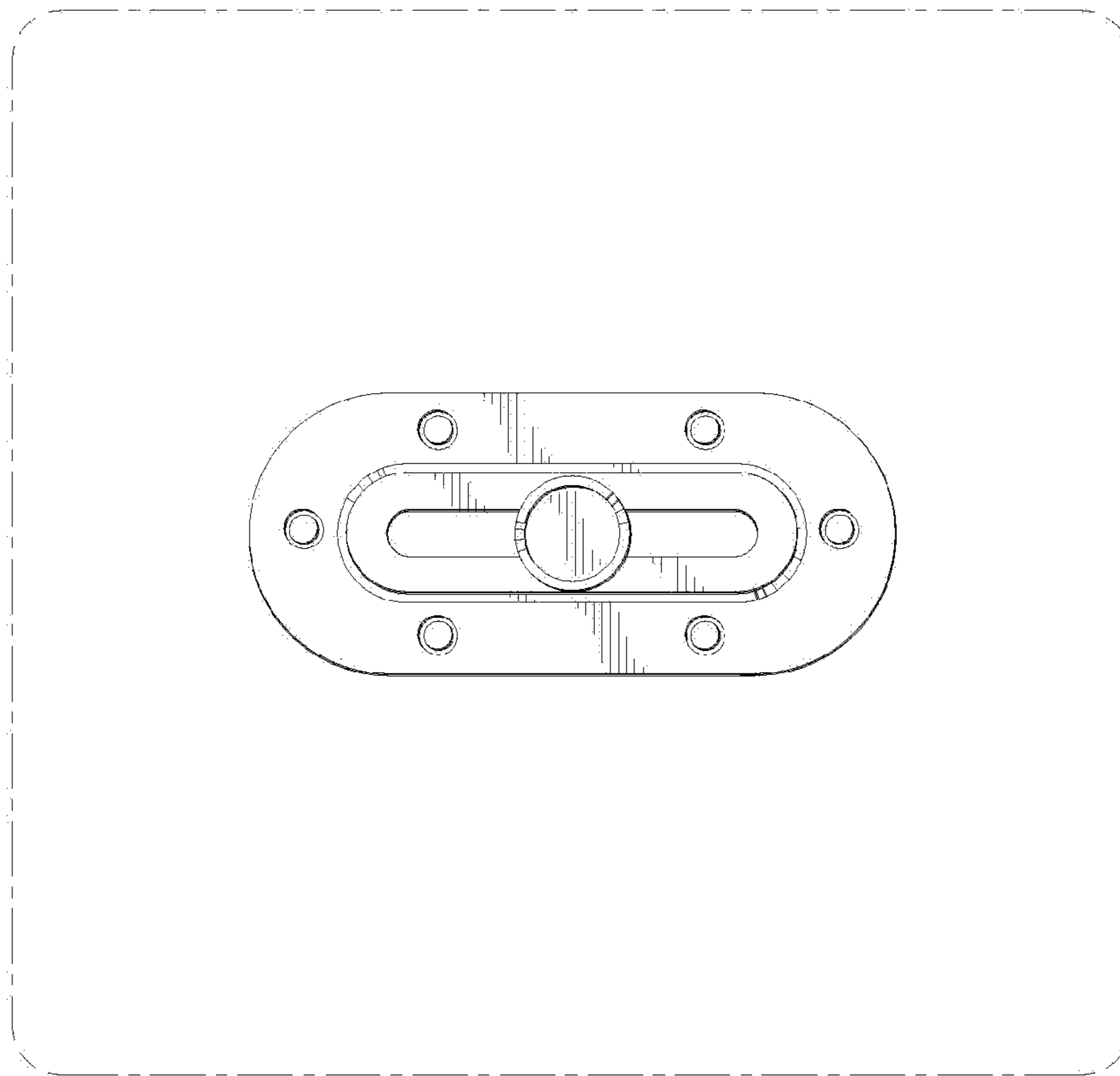


FIG. 4.