



US00D554963S

(12) **United States Design Patent**
Holderfield et al.

(10) **Patent No.:** **US D554,963 S**

(45) **Date of Patent:** **** Nov. 13, 2007**

(54) **FASTENER DRIVING TOOL HOUSING**

(75) Inventors: **Greg Holderfield**, Oak Park, IL (US);
Joey Nakayama, Chicago, IL (US)

(73) Assignee: **Illinois Tool Works Inc.**, Glenview, IL (US)

(**) Term: **14 Years**

(21) Appl. No.: **29/261,883**

(22) Filed: **Jun. 22, 2006**

(51) **LOC (8) Cl.** **08-05**

(52) **U.S. Cl.** **D8/69**

(58) **Field of Classification Search** D8/14.1,
D8/61, 62, 63, 64, 65, 66, 67, 68, 69, 70;
81/57.11, 429, 464, 465, 466, 469, 489; 173/13,
173/104, 114, 168, 169, 170, 171, 178, 201,
173/211, 213, 217; 408/20, 124, 125, 234,
408/241 R; 451/358; 310/50; 227/8, 113,
227/114, 120, 130, 136, 142

See application file for complete search history.

(56) **References Cited**

U.S. PATENT DOCUMENTS

D260,354 S *	8/1981	Proops et al.	D8/61
D332,561 S *	1/1993	Fushiya et al.	D8/69
D338,606 S *	8/1993	Oda	D8/69
5,322,189 A *	6/1994	Oda	227/120
5,816,469 A *	10/1998	Ohuchi	227/120
D435,206 S *	12/2000	Etter et al.	D8/68
6,494,355 B2 *	12/2002	Adachi et al.	227/120
6,612,476 B2 *	9/2003	Smolinski	173/170
6,808,101 B2 *	10/2004	Laubach et al.	227/120
D512,291 S *	12/2005	Thomas et al.	D8/69
D512,620 S *	12/2005	Thomas et al.	D8/69

D514,911 S *	2/2006	Thomas et al.	D8/69
D519,809 S *	5/2006	Taniguchi et al.	D8/69
D520,839 S *	5/2006	Miwa	D8/69
2001/0030218 A1 *	10/2001	Adachi et al.	227/120
2005/0001007 A1 *	1/2005	Butzen et al.	227/130

* cited by examiner

Primary Examiner—T. Chase Nelson

(74) *Attorney, Agent, or Firm*—Schwartz & Weinrieb

(57) **CLAIM**

The ornamental design for a fastener driving tool housing, as shown and described.

DESCRIPTION

FIG. 1 is a right side elevational view of the fastener driving tool housing showing my new design;

FIG. 2 is a left side elevational view thereof;

FIG. 3 is a front elevational view thereof;

FIG. 4 is a rear elevational view thereof;

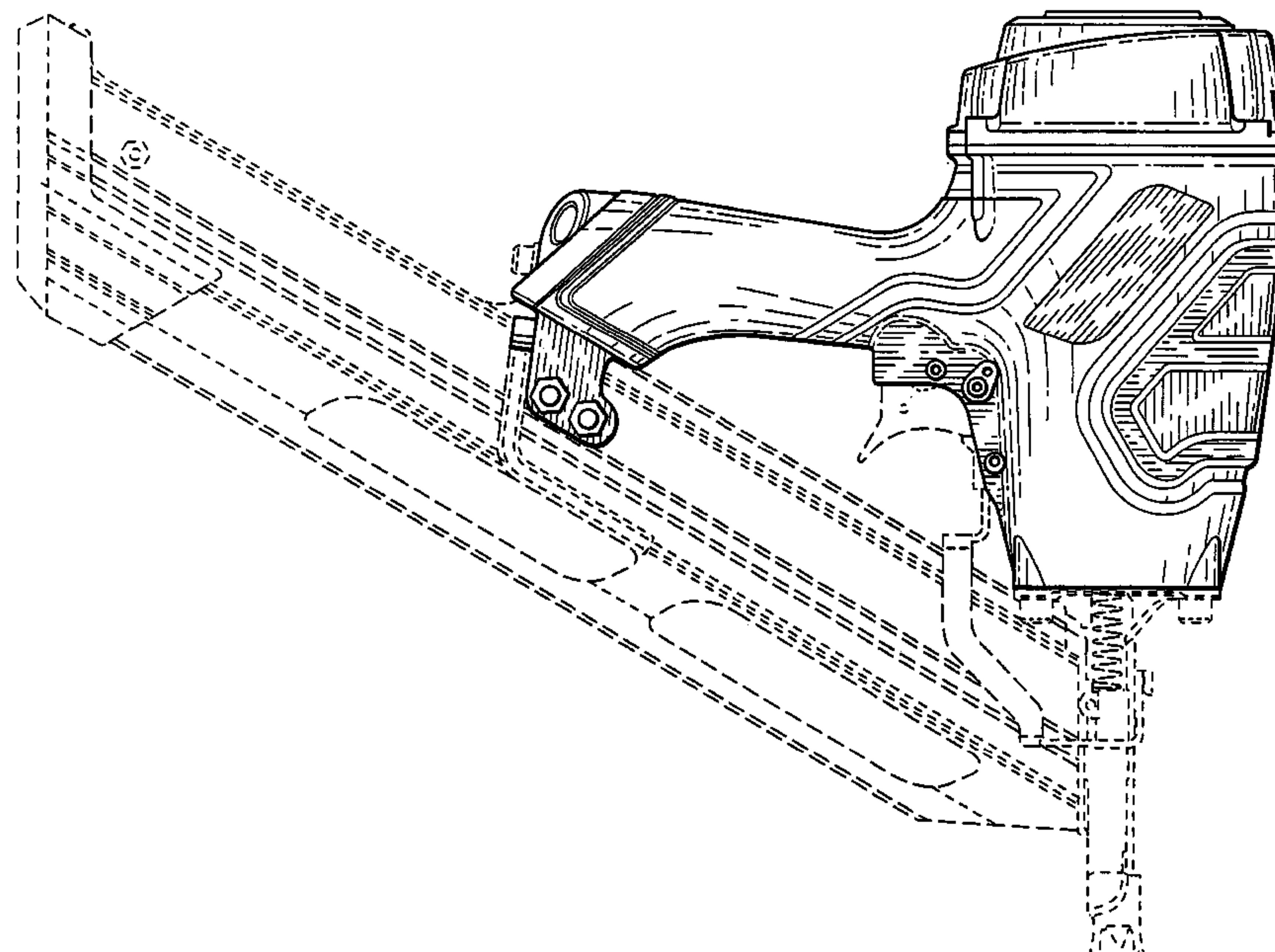
FIG. 5 is a top plan view thereof; and,

FIG. 6 is a bottom plan view thereof.

The broken lines showing portions of the fastener driving tool are for illustrative purposes only and form no part of the claimed design. In those locations where depiction of the broken line structure would be in front of the claimed portion of the design and limit understanding of the fastener driving tool housing, the broken lines have not been depicted.

The symbol displayed on the top of the fastener driving tool housing is a trademark owned by Illinois Tool Works Inc. of Glenview, Ill. 60026.

1 Claim, 5 Drawing Sheets



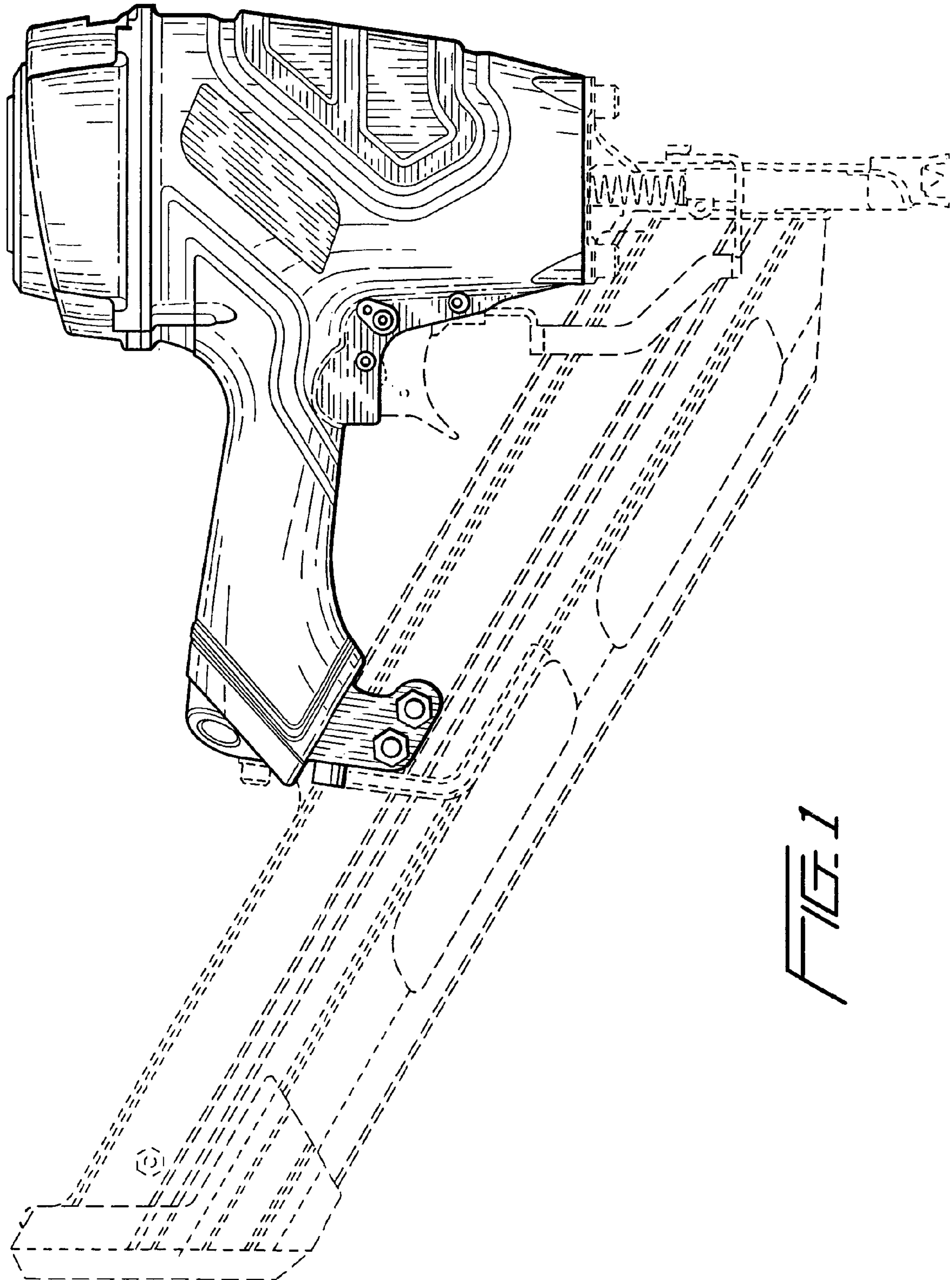


FIG. 1

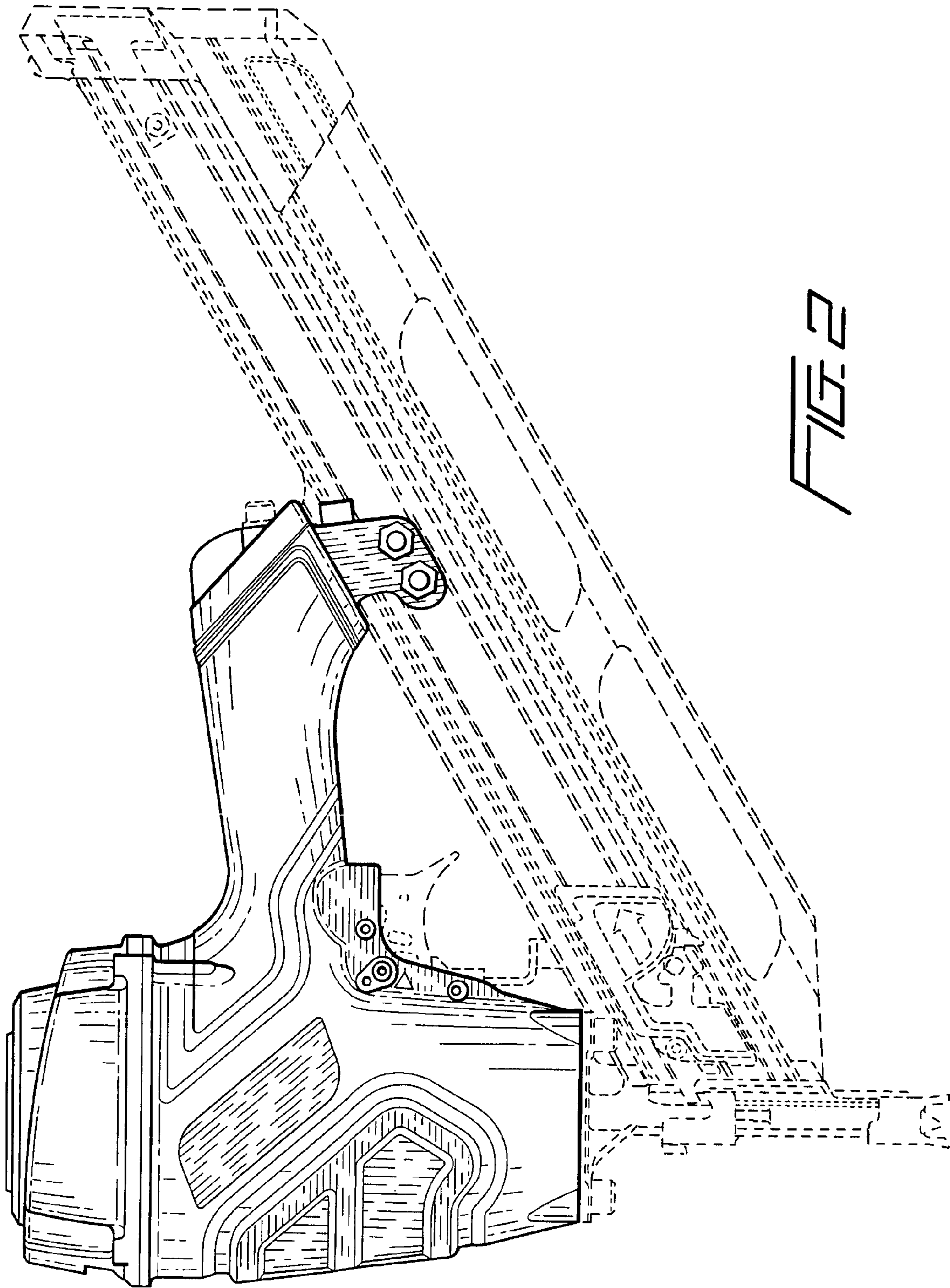
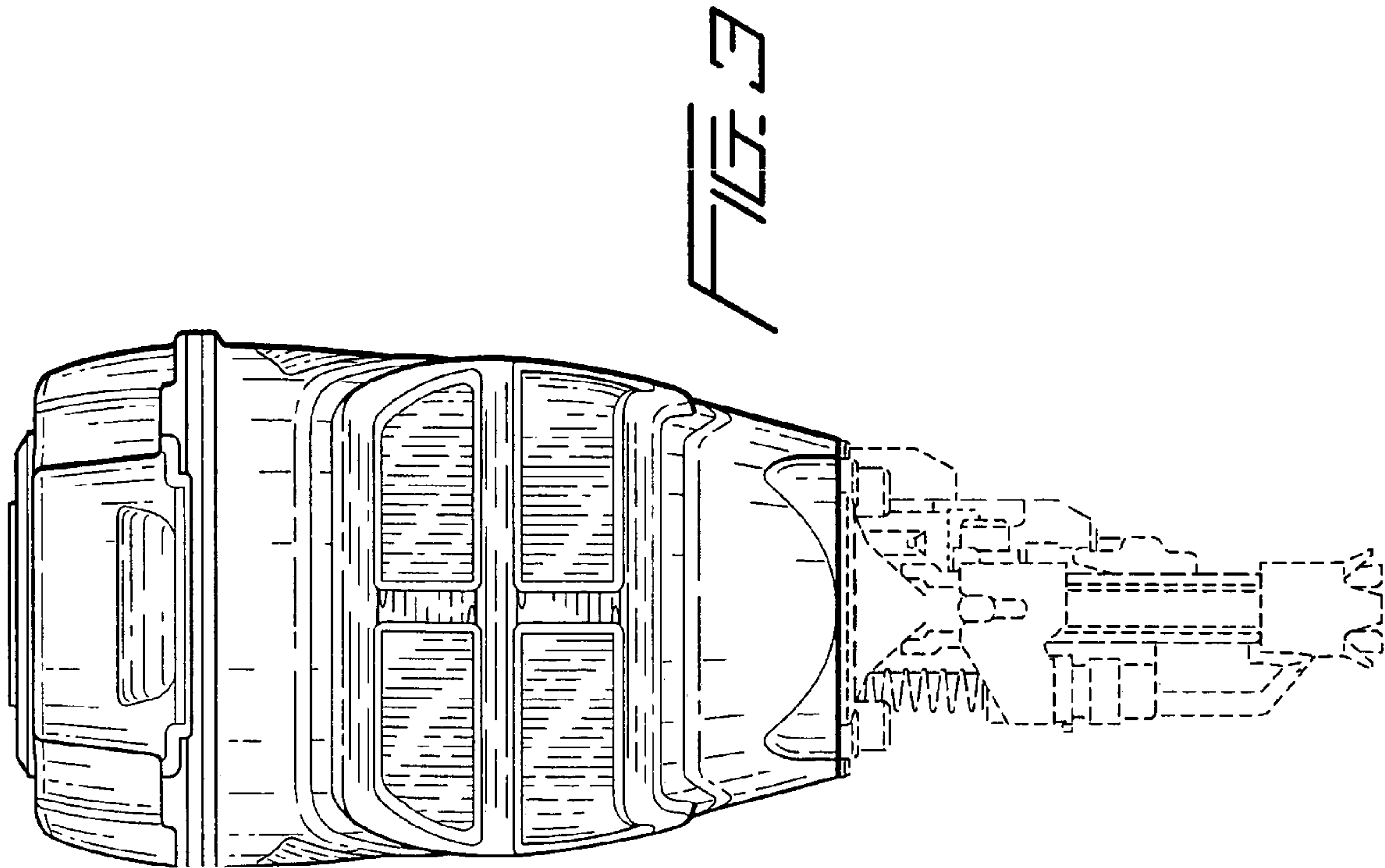
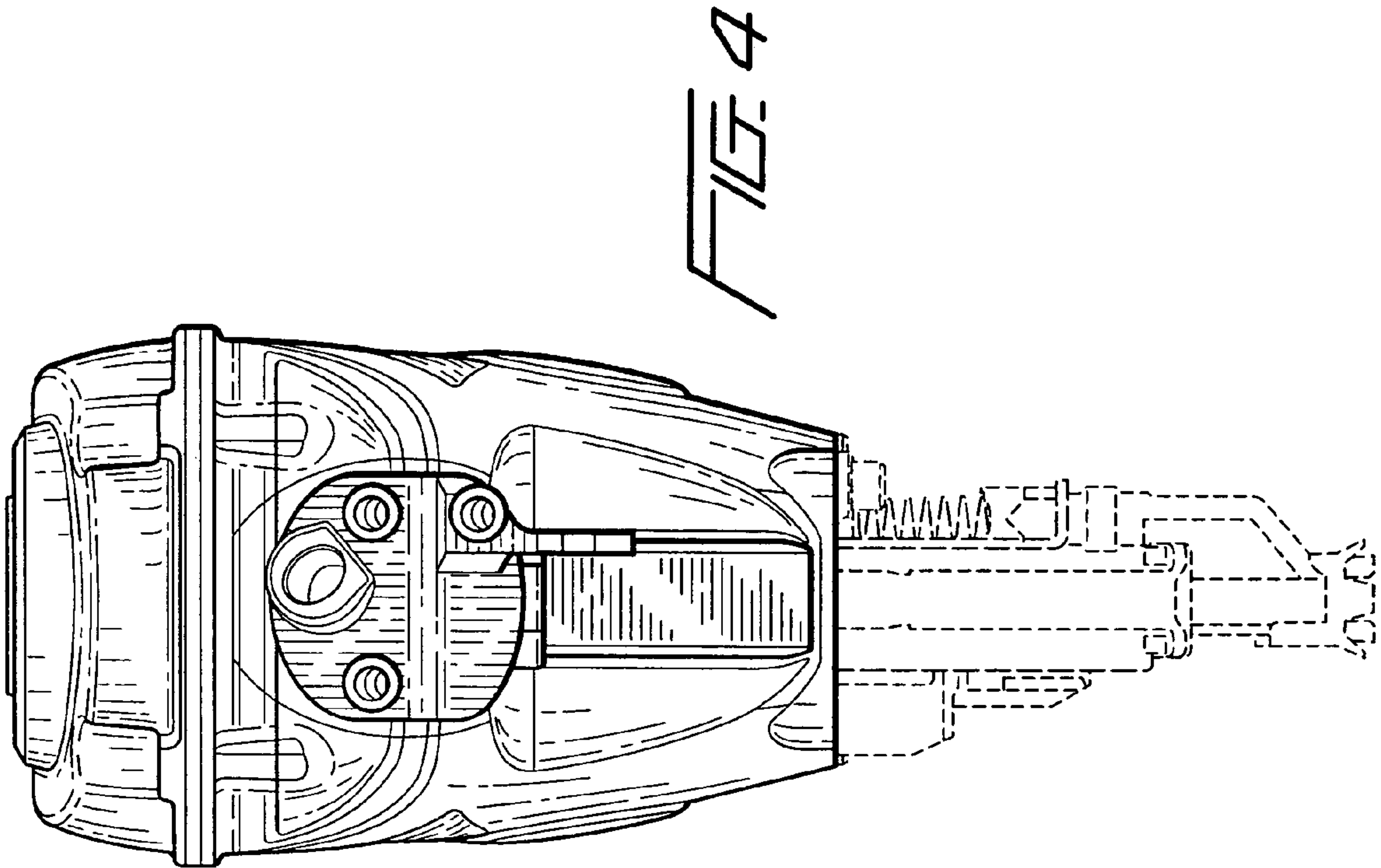


FIG. 2



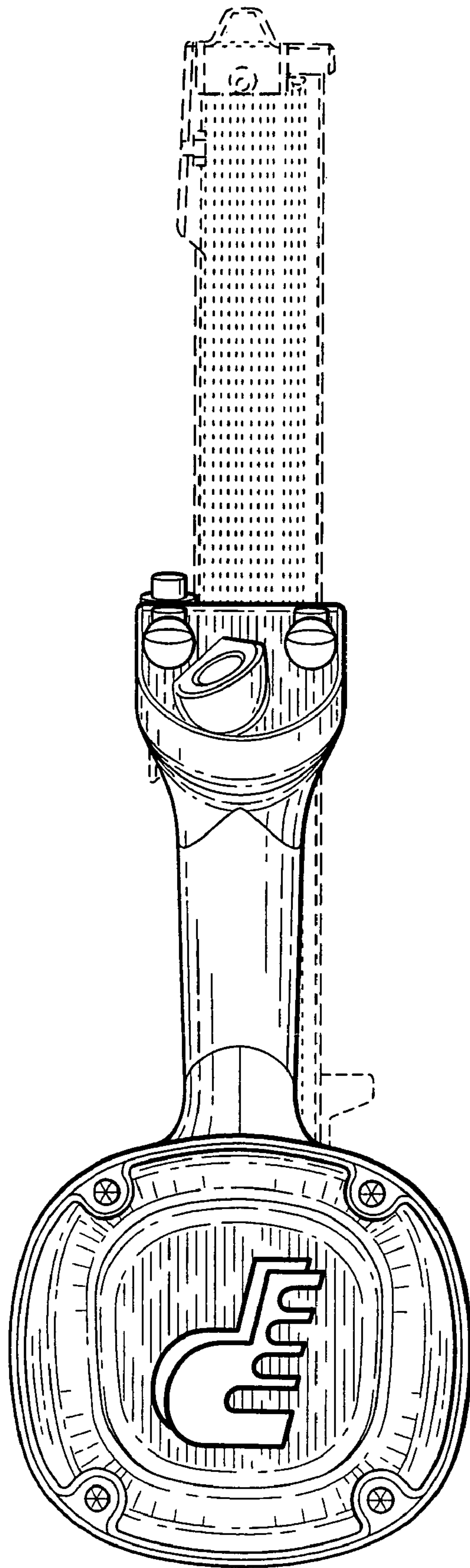


FIG. 5

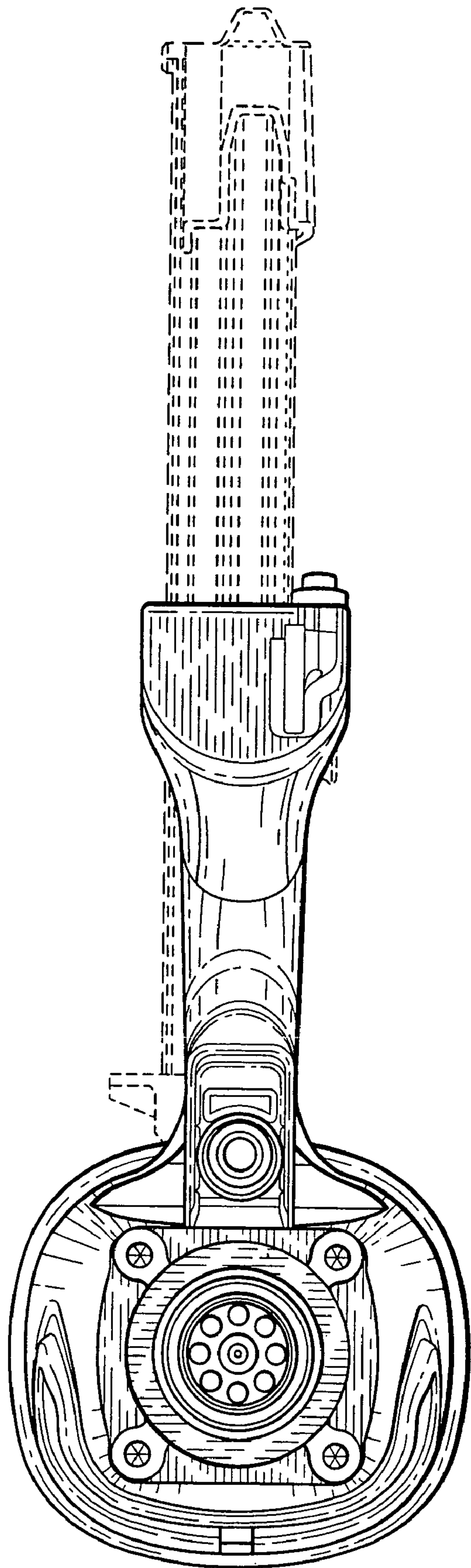


FIG. 6