



US00D554960S

(12) **United States Design Patent**
Deal et al.

(10) **Patent No.:** **US D554,960 S**

(45) **Date of Patent:** **** Nov. 13, 2007**

(54) **GLUE GUN**

6,648,181 B2 * 11/2003 Whittaker 222/391
D535,167 S * 1/2007 Monfeli et al. D8/30

(75) Inventors: **Renee Deal**, Boxford, MA (US); **Peter Russo**, Bedford, MA (US)

OTHER PUBLICATIONS

Picture of Fiskars easy squeeze glue gun, found on ebay.*

(73) Assignee: **Fiskars Brands, Inc.**, Madison, WI (US)

* cited by examiner

(**) Term: **14 Years**

Primary Examiner—Philip Hyder

(74) *Attorney, Agent, or Firm*—Foley & Lardner LLP

(21) Appl. No.: **29/258,459**

(57) **CLAIM**

(22) Filed: **Apr. 21, 2006**

We claim the ornamental design for a glue gun, as shown and described.

(51) **LOC (8) Cl.** **08-05**

(52) **U.S. Cl.** **D8/51; D8/30; D8/14.1**

(58) **Field of Classification Search** D8/14,
D8/14.1, 30, 29.1, 51; 239/375, 378, 390;
222/323, 391; D19/66

DESCRIPTION

See application file for complete search history.

FIG. 1 is a side view of a glue gun showing our new design;

FIG. 2 is a top view thereof;

FIG. 3 is a front view thereof;

FIG. 4 is a rear view thereof; and,

FIG. 5 is a bottom view thereof.

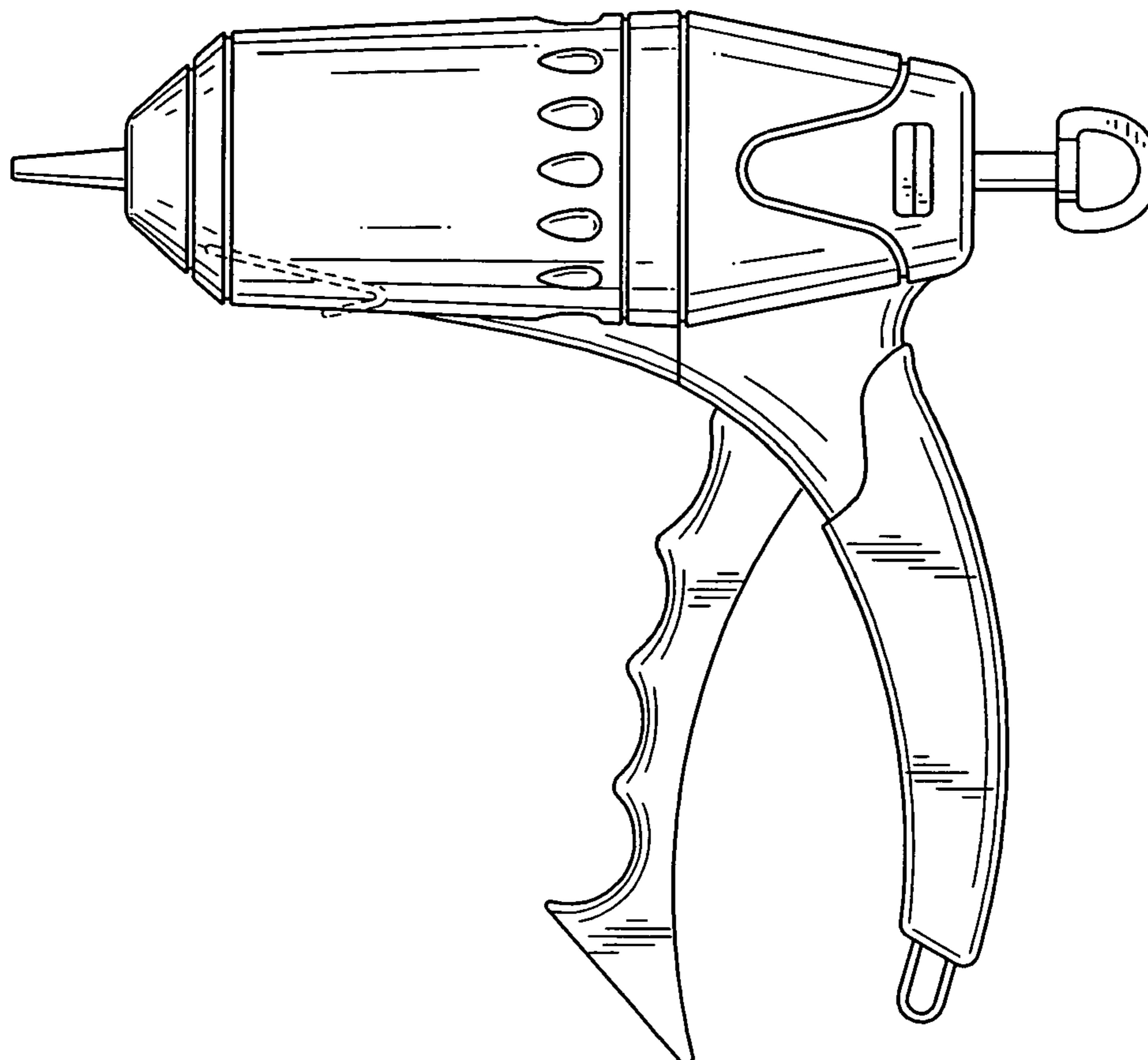
(56) **References Cited**

U.S. PATENT DOCUMENTS

D256,658 S * 9/1980 Ewig D8/61
D303,204 S * 9/1989 Marks D8/51
D348,811 S * 7/1994 Albers D8/14.1
5,370,282 A * 12/1994 Sedlmeier 222/391

The broken line showing the stand is included for the purpose of illustrating unclaimed structure and forms no part of the claimed design.

1 Claim, 2 Drawing Sheets



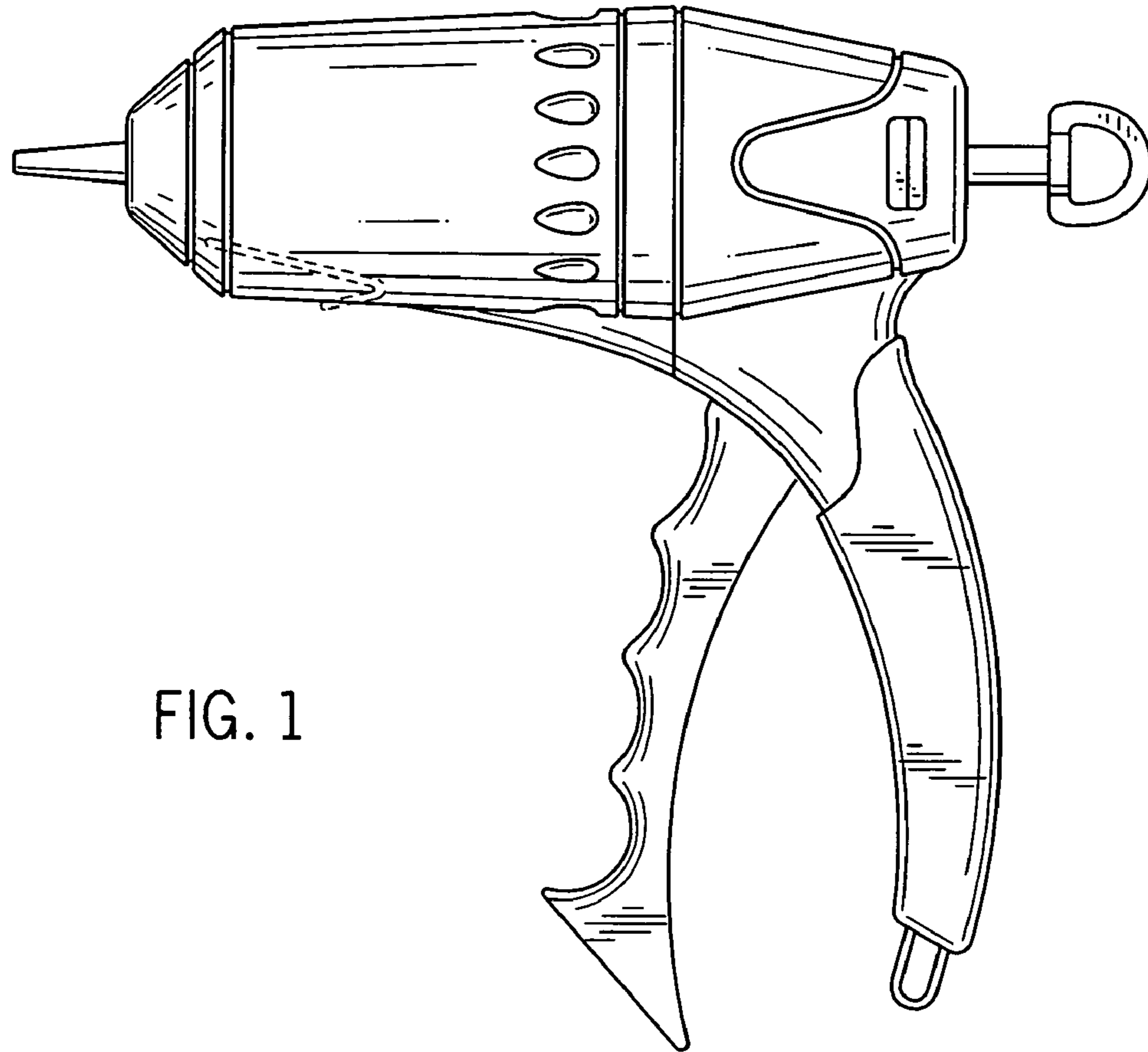


FIG. 1

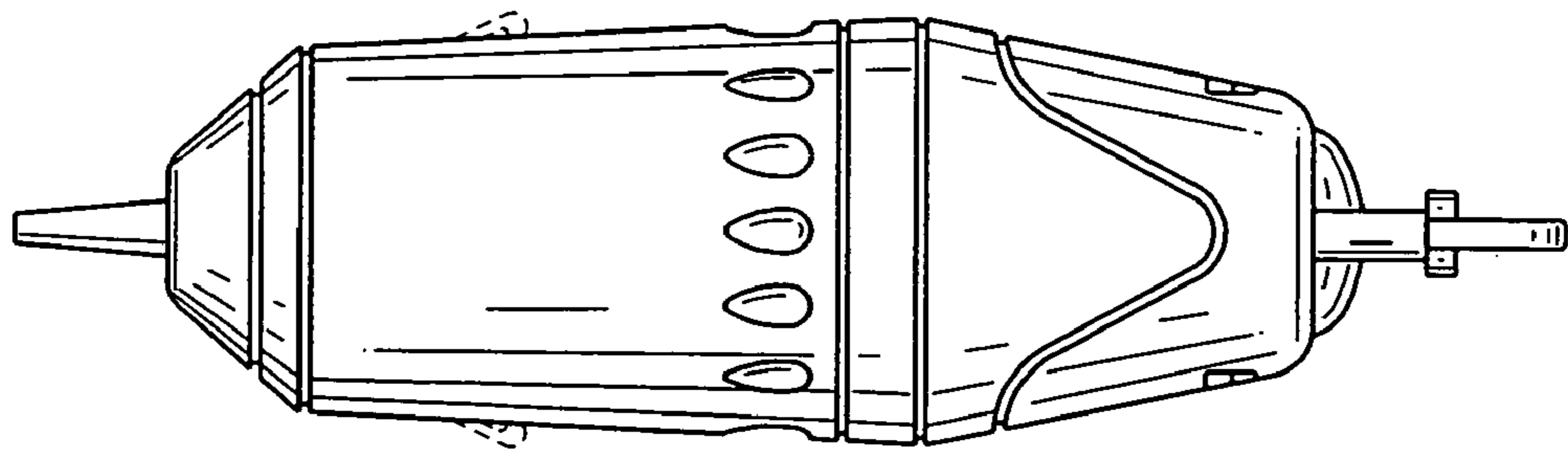


FIG. 2

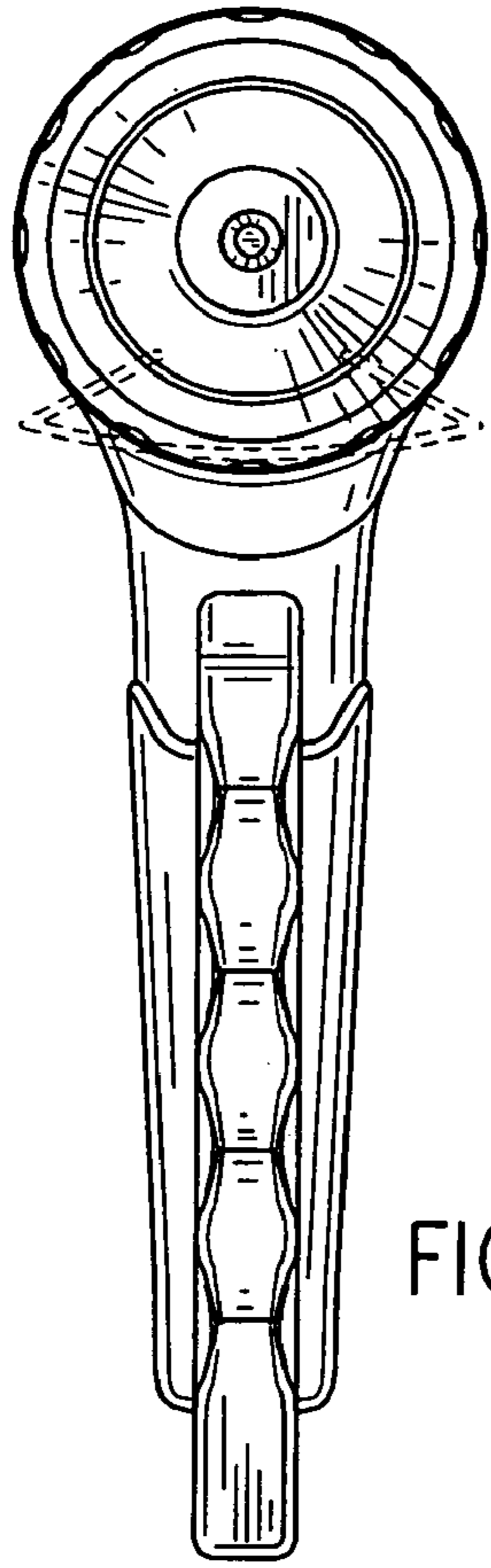


FIG. 3

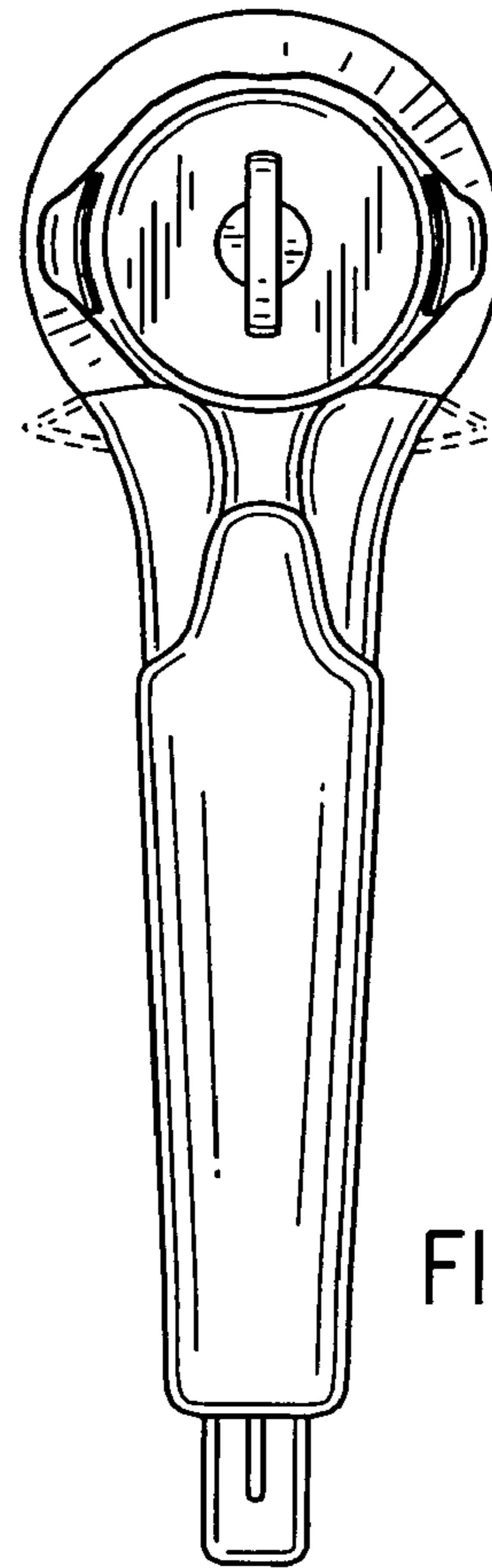


FIG. 4

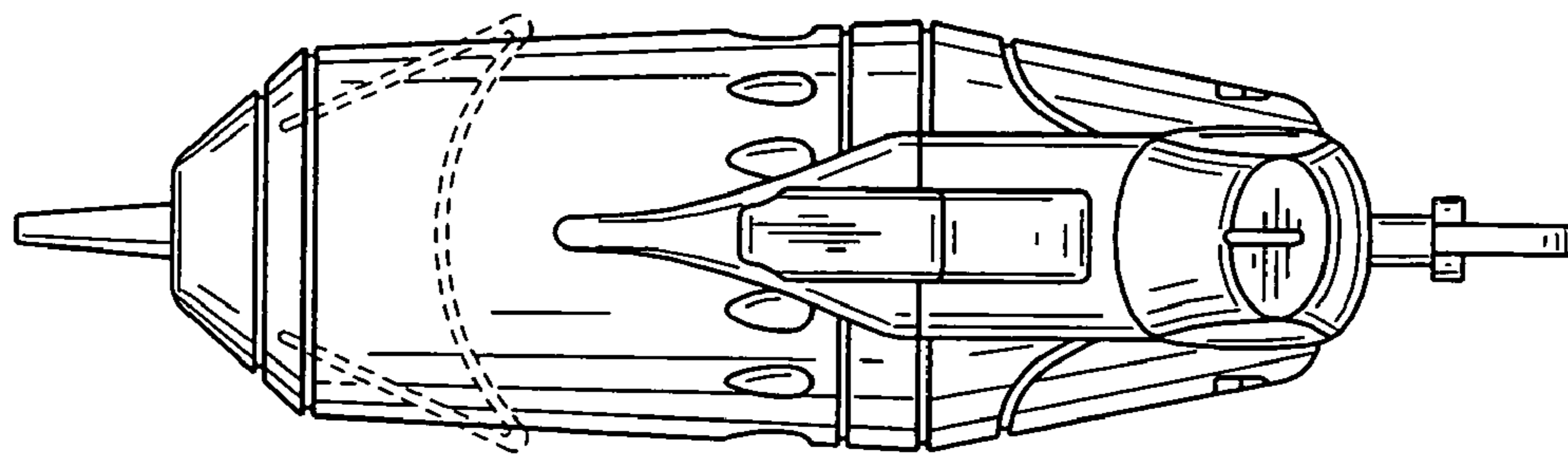


FIG. 5