



US00D554959S

(12) **United States Design Patent**  
**Barker**

(10) **Patent No.:** **US D554,959 S**

(45) **Date of Patent:** **\*\* Nov. 13, 2007**

(54) **OPEN-ENDED RATCHET WRENCH**

(76) **Inventor:** **Joseph T. Barker**, 3250 Kingsdale Dr.,  
Atlanta, GA (US) 30311

(\*\*) **Term:** **14 Years**

(21) **Appl. No.:** **29/267,809**

(22) **Filed:** **Oct. 23, 2006**

(51) **LOC (8) Cl.** ..... **08-05**

(52) **U.S. Cl.** ..... **D8/28**

(58) **Field of Classification Search** ..... D8/17,  
D8/21-29; 81/176.1, 119, 186, 177.1, 177.8,  
81/177.9, 185.1, 120, 121.1, 125.1, 177.85,  
81/3.4, 177.4, 492, 58, 57, 13, 177.7, 60-63.2,  
81/166-170, 490

See application file for complete search history.

(56) **References Cited**

**U.S. PATENT DOCUMENTS**

2,376,575	A *	5/1945	Cronan	.....	192/43.2
2,712,256	A *	7/1955	Fish	.....	81/58.2
2,712,259	A *	7/1955	Cowell	.....	81/179
2,954,715	A *	10/1960	Wycech	.....	81/58.1
3,508,456	A *	4/1970	Schultz	.....	81/62
D312,198	S *	11/1990	Cooke	.....	D8/25

D344,223	S *	2/1994	Kubicek	.....	D8/25
5,454,283	A *	10/1995	Stefano	.....	81/58.2
5,467,572	A *	11/1995	Wile et al.	.....	53/384.1
5,924,341	A *	7/1999	Brooks	.....	81/58.2

\* cited by examiner

*Primary Examiner*—Raphael Barkai

*Assistant Examiner*—Randall H Gholson

(74) *Attorney, Agent, or Firm*—Rodgers & Rodgers

(57) **CLAIM**

The ornamental design for an open-ended ratchet wrench, as shown and described.

**DESCRIPTION**

FIG. 1 is a perspective view of an open-ended ratchet wrench showing my new design;

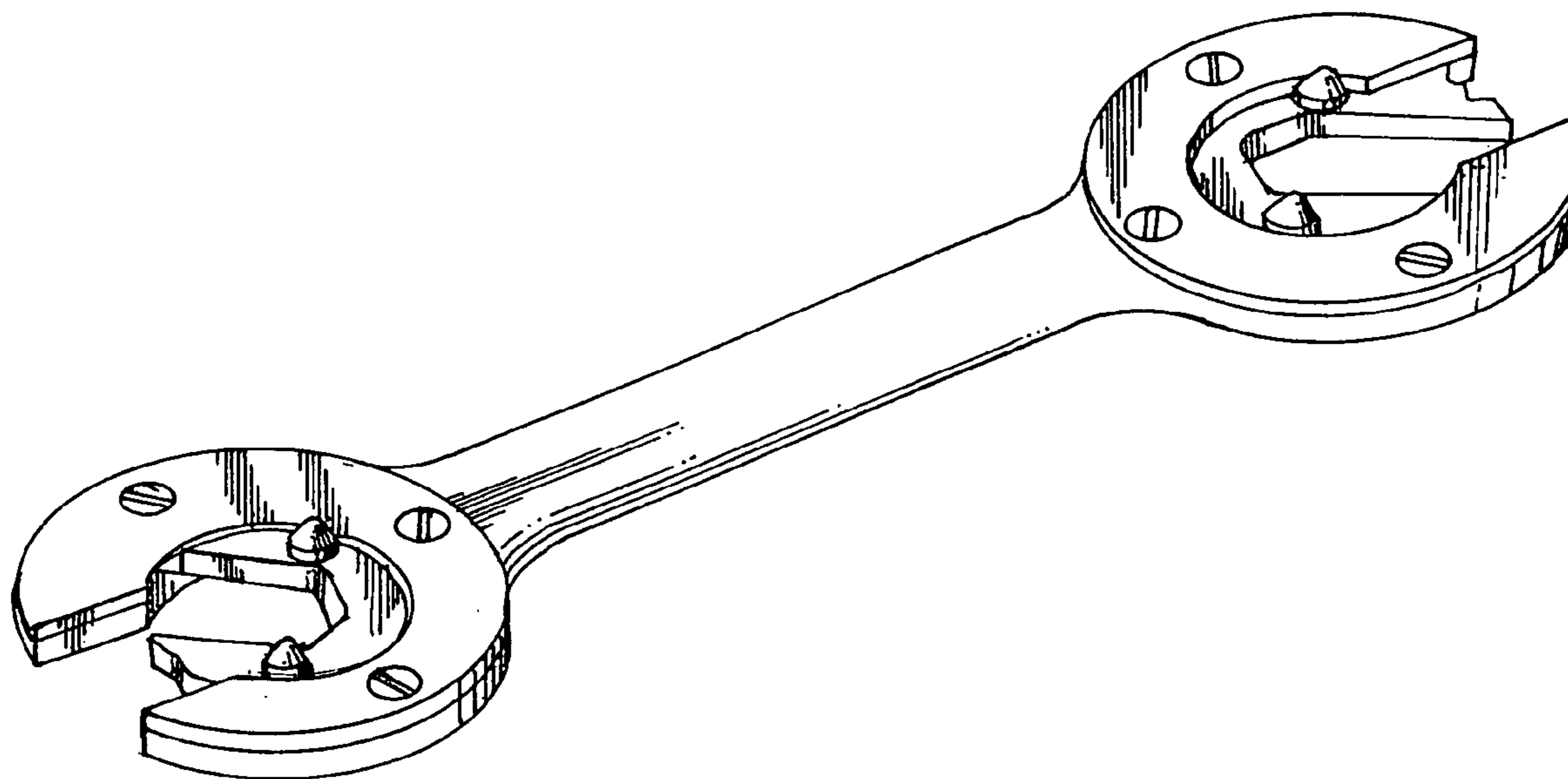
FIG. 2 is a top plan view thereof;

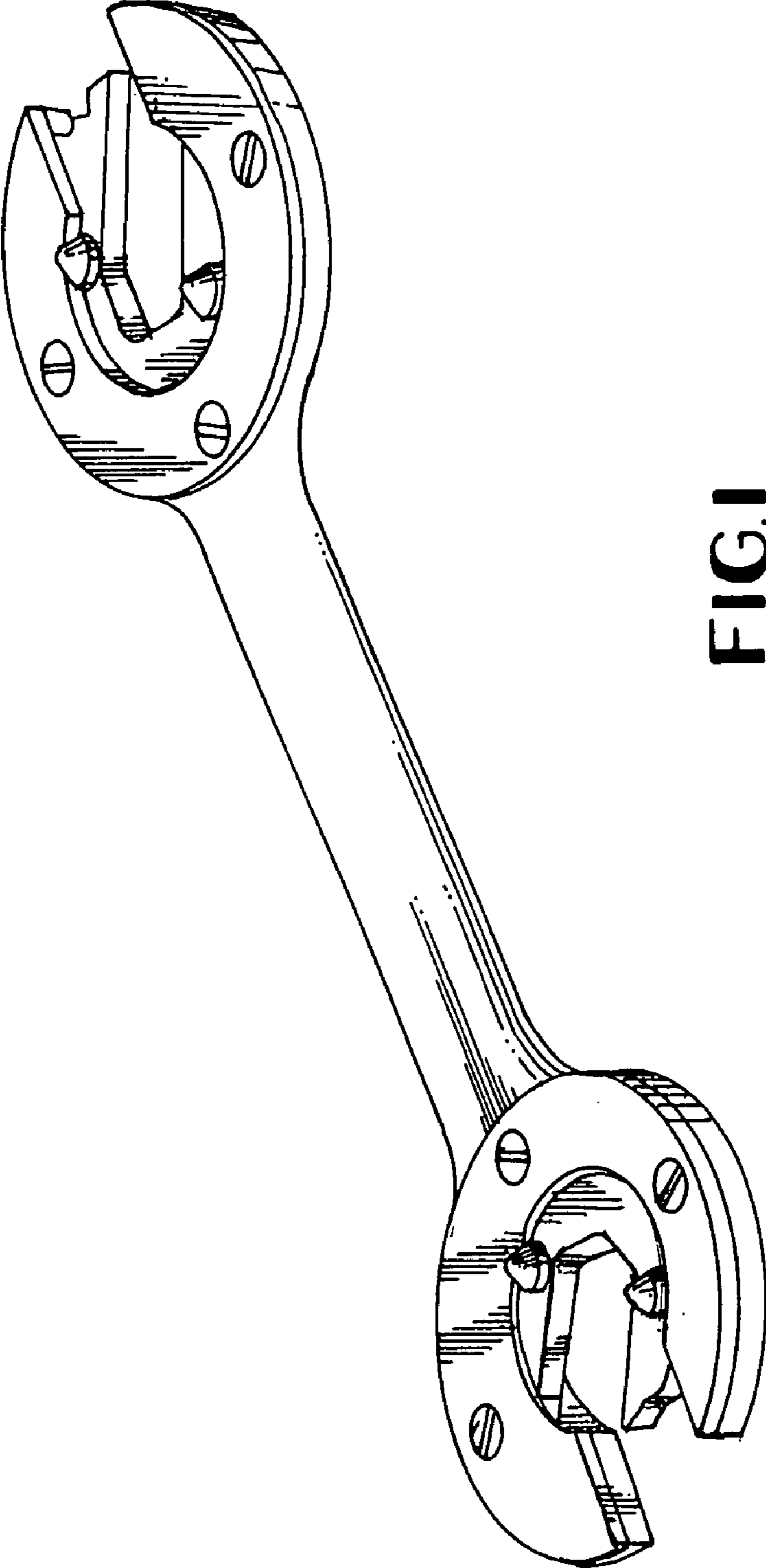
FIG. 3 is a left side elevational view thereof, the opposite side being the same in appearance;

FIG. 4 is a bottom plan view thereof; and,

FIG. 5 is a front elevational view thereof with the open-ended ratchet wrench inverted.

**1 Claim, 3 Drawing Sheets**





**FIG. 1**

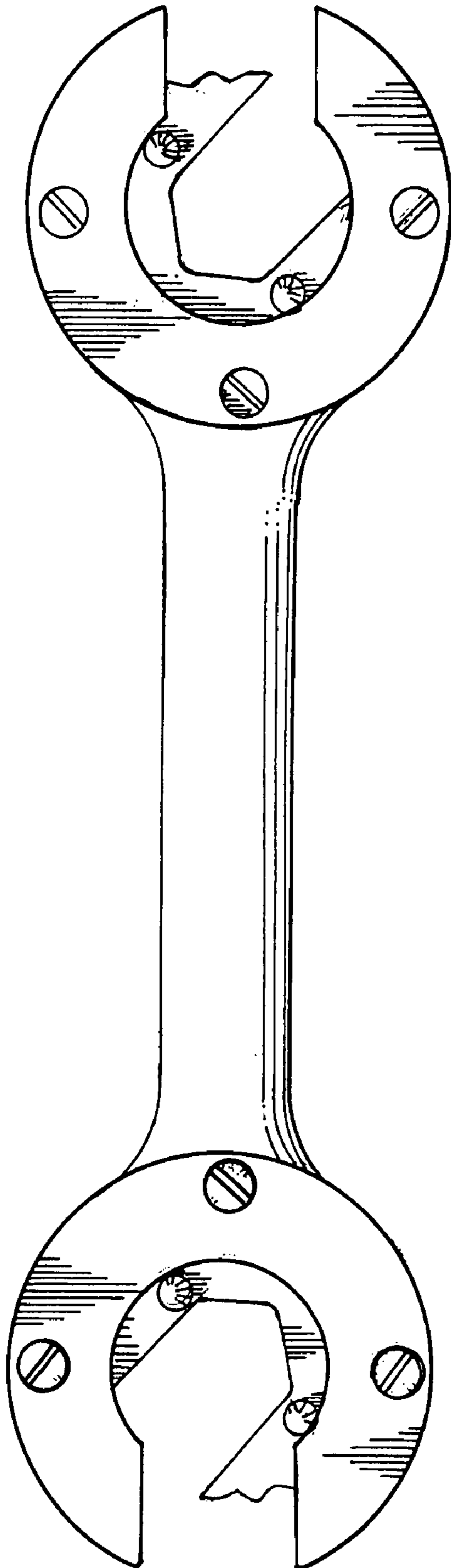


FIG. 2



FIG. 3

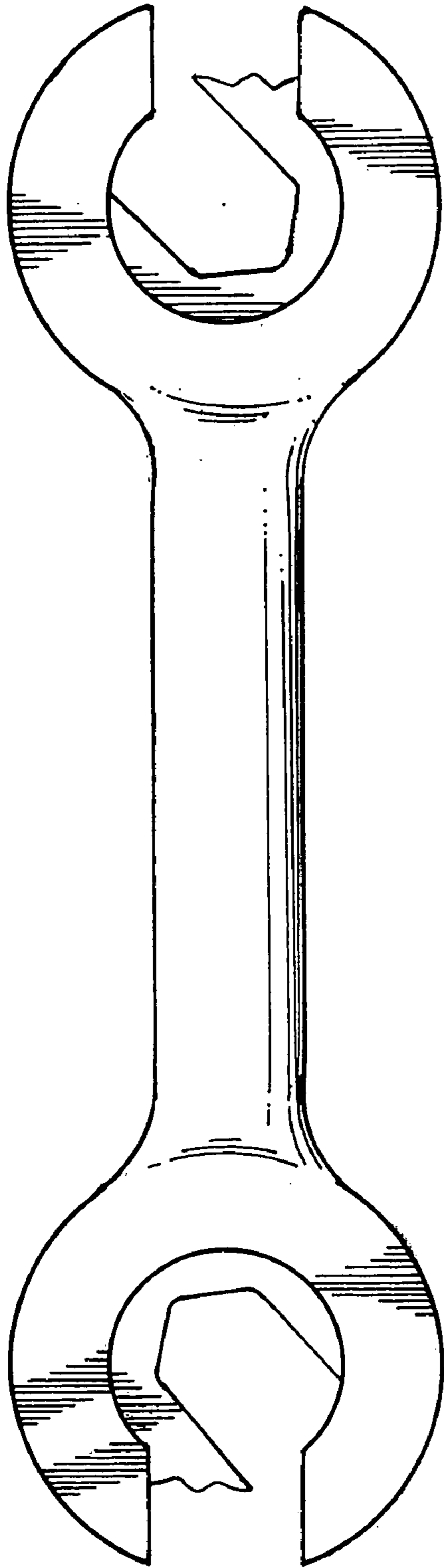


FIG. 4

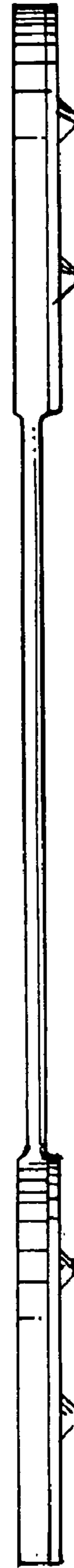


FIG. 5