



US00D554957S

(12) **United States Design Patent**  
**Harvey**

(10) **Patent No.:** **US D554,957 S**

(45) **Date of Patent:** **\*\* Nov. 13, 2007**

(54) **TREE OR FLOWER BED EDGING**

(76) **Inventor:** **Frederick Harvey**, 107 Sawgrass,  
Broussard, LA (US) 70518

(\*\*) **Term:** **14 Years**

(21) **Appl. No.:** **29/249,157**

(22) **Filed:** **Sep. 25, 2006**

(51) **LOC (8) Cl.** ..... **08-01**

(52) **U.S. Cl.** ..... **D8/1**

(58) **Field of Classification Search** ..... D8/1;  
47/32.5, 32.7, 33, 47, 85

See application file for complete search history.

(56) **References Cited**

**U.S. PATENT DOCUMENTS**

110,091	A *	12/1870	Trumbull	.....	47/32.5
2,191,808	A *	2/1940	Schramm	.....	40/665
2,784,528	A *	3/1957	Rudenauer	.....	47/48.5
3,412,561	A *	11/1968	Reid	.....	405/15
3,472,133	A *	10/1969	Ziehm, Jr.	.....	404/7
4,628,632	A *	12/1986	Zwier	.....	47/33
4,644,685	A *	2/1987	Tisbo et al.	.....	47/33
D304,086	S *	10/1989	Eads	.....	D8/1
D328,839	S *	8/1992	Green	.....	D8/1
D363,652	S *	10/1995	Turner	.....	D8/1
D368,002	S *	3/1996	Henson	.....	D8/1
5,577,343	A *	11/1996	Flasch, Jr.	.....	47/33
6,354,038	B1 *	3/2002	Morris	.....	47/33
6,367,194	B1 *	4/2002	Measday et al.	.....	47/32.4

D506,367	S *	6/2005	Toppan	.....	D8/1
D520,647	S *	5/2006	Elmore et al.	.....	D25/119
2002/0104260	A1 *	8/2002	Allen et al.	.....	47/33
2002/0112415	A1 *	8/2002	Eakin	.....	52/102
2005/0150158	A1 *	7/2005	Fakhari	.....	47/33
2006/0150480	A1 *	7/2006	Ruller	.....	47/33

\* cited by examiner

*Primary Examiner*—Holly H. Baynham

*Assistant Examiner*—Sheryl Friedman

(57) **CLAIM**

I claim the ornamental design for a tree or flower bed edging, as shown and described.

**DESCRIPTION**

FIG. 1 is a perspective view of a tree or flower bed edging of the present invention, illustrating the edging in a flat configuration;

FIG. 2 is a perspective view of the tree or flower bed edging of the present invention, illustrating the edging in a nearly circular and connected configuration;

FIG. 3 is a rear elevational view of the invention;

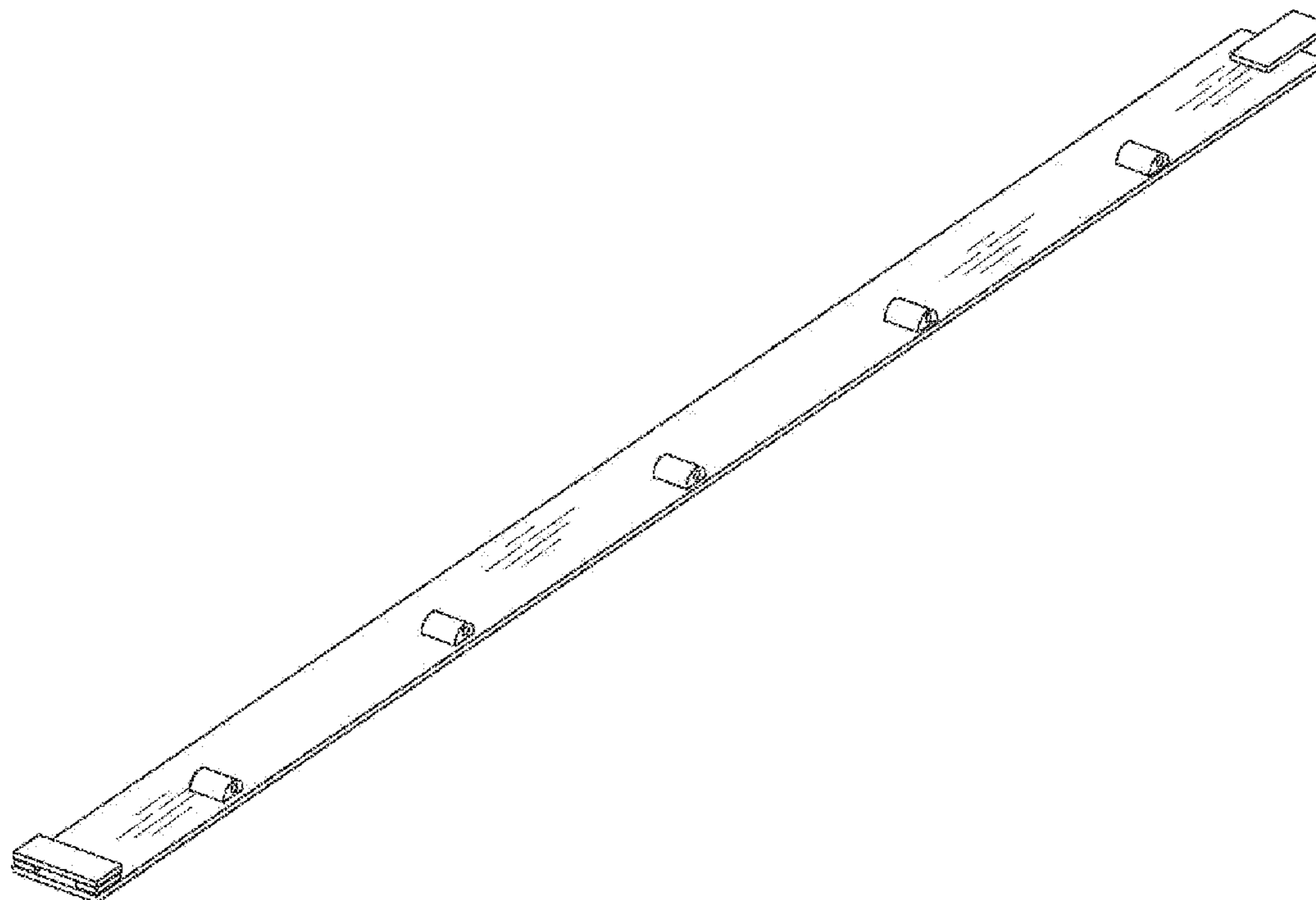
FIG. 4 is a front elevational view of the invention;

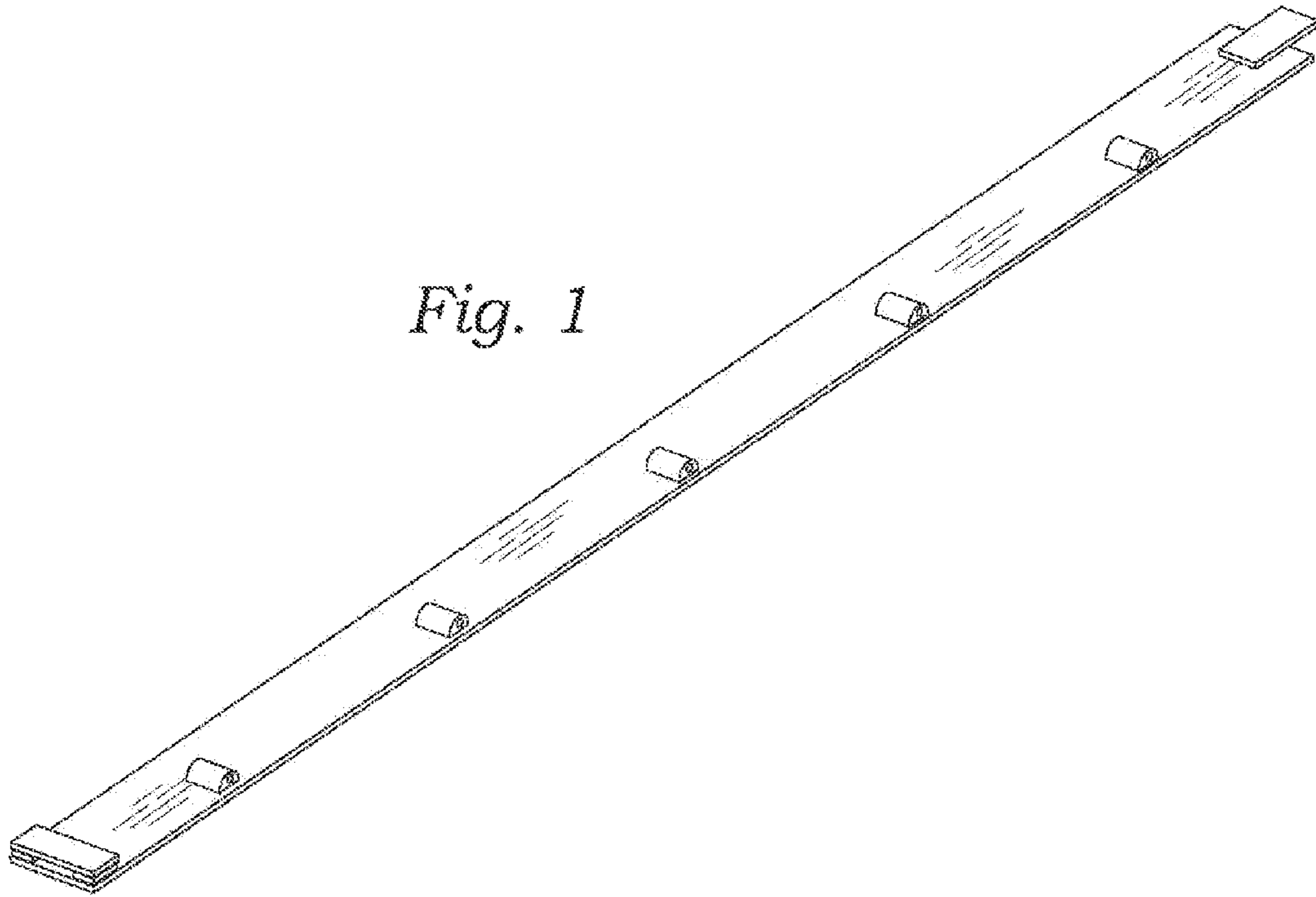
FIG. 5 is a left-side elevational view of the invention;

FIG. 6 is a right-side elevational view of the invention; and,

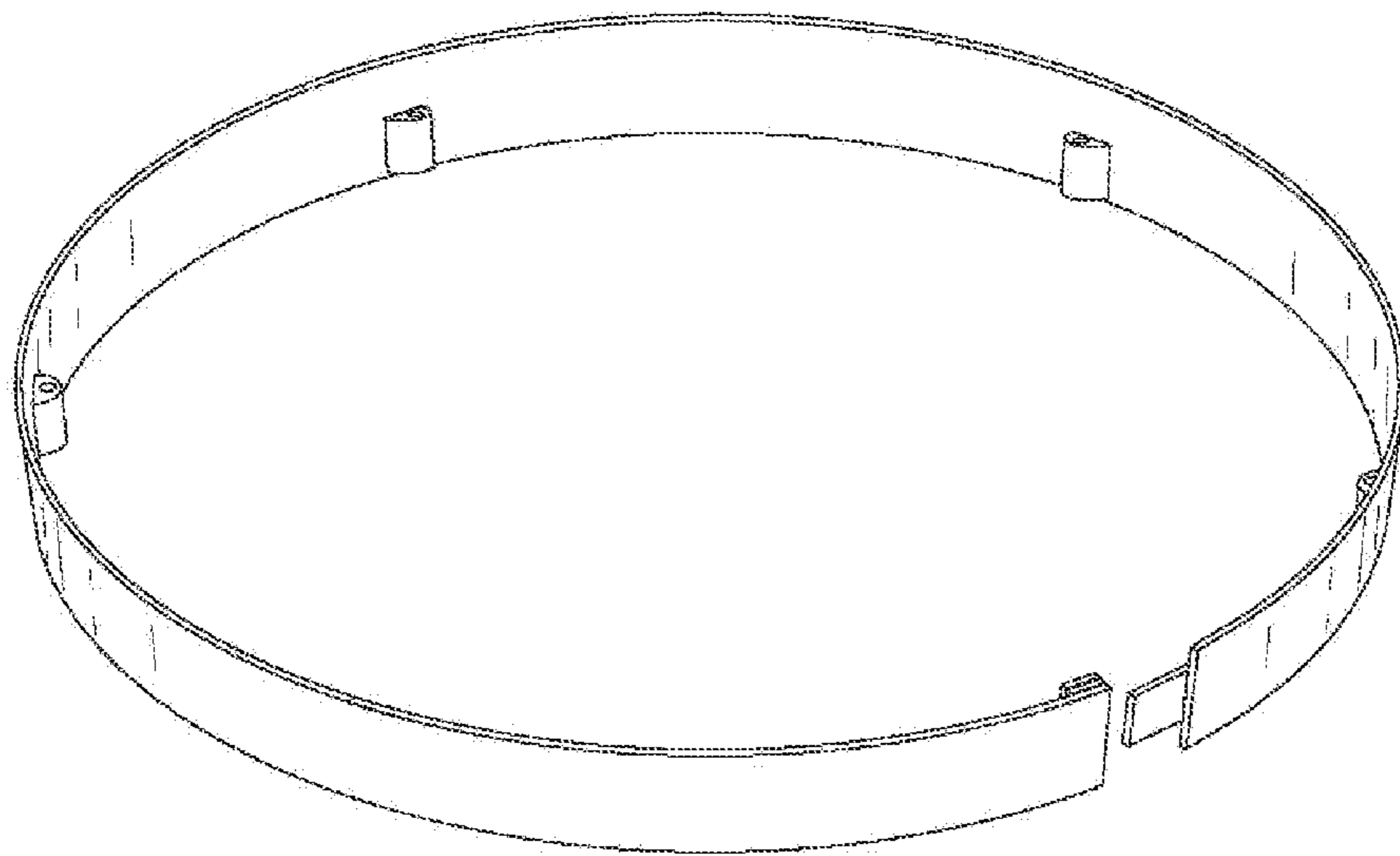
FIG. 7 is a top plan view of the invention, the bottom plan view being a mirror image thereof.

**1 Claim, 2 Drawing Sheets**



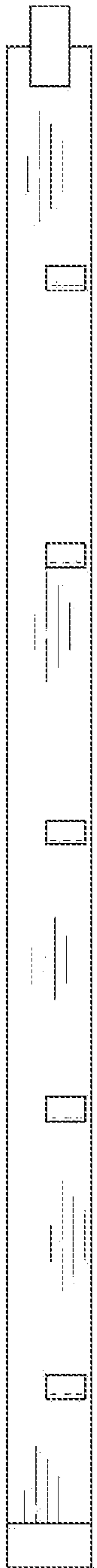


*Fig. 1*



*Fig. 2*

*Fig. 3*



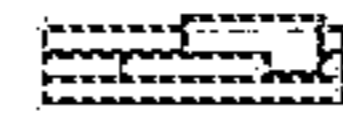
*Fig. 4*



*Fig. 7*



*Fig. 5*



*Fig. 6*

