



US00D554949S

(12) **United States Design Patent**
Hood

(10) **Patent No.:** **US D554,949 S**

(45) **Date of Patent:** **** Nov. 13, 2007**

(54) **DELI ROLL KNIFE**

(75) Inventor: **Lance L. Hood**, Seattle, WA (US)

(73) Assignee: **Progressive International Corporation**, Kent, WA (US)

(**) Term: **14 Years**

(21) Appl. No.: **29/277,371**

(22) Filed: **Feb. 22, 2007**

(51) **LOC (8) Cl.** **07-03**

(52) **U.S. Cl.** **D7/650**

(58) **Field of Classification Search** D4/138;
D7/393, 395, 401.2, 642-646, 649-653, 662-664,
D7/688, 695-696; D8/10, 36, 75, 80, 83,
D8/87, 98, 99, 102, 107, 300, 303; D18/34.9;
D22/118; D24/147; 30/123.5-123.7, 124-125,
30/128, 142-143, 147-149, 169, 295, 304,
30/316, 329, 340, 342, 346, 353, 355, 394
See application file for complete search history.

(56) **References Cited**

U.S. PATENT DOCUMENTS

- 495,110 A * 4/1893 Hayes et al. 30/355
- D24,386 S * 6/1895 Christy D7/650
- D158,459 S * 5/1950 Gustafson D7/650
- D180,760 S 8/1957 Baer
- D192,961 S 6/1962 Baer
- D248,166 S * 6/1978 Kanai D24/147
- D248,167 S * 6/1978 Kanai D24/147
- D303,603 S * 9/1989 Zimmerman D7/650

- D324,326 S * 3/1992 Lu D7/650
- D403,559 S 1/1999 Terenzio
- D410,176 S * 5/1999 Stokes D7/649
- 6,044,566 A 4/2000 Ries et al.
- D461,688 S * 8/2002 Lothe D7/649
- D499,943 S * 12/2004 Malvoisin et al. D7/696
- D500,233 S * 12/2004 Overthun D7/650

FOREIGN PATENT DOCUMENTS

HK 0110189.2 * 2/2001

* cited by examiner

Primary Examiner—Cathron C. Brooks

Assistant Examiner—Ricky Pham

(74) *Attorney, Agent, or Firm*—Black Lowe & Graham, PLLC

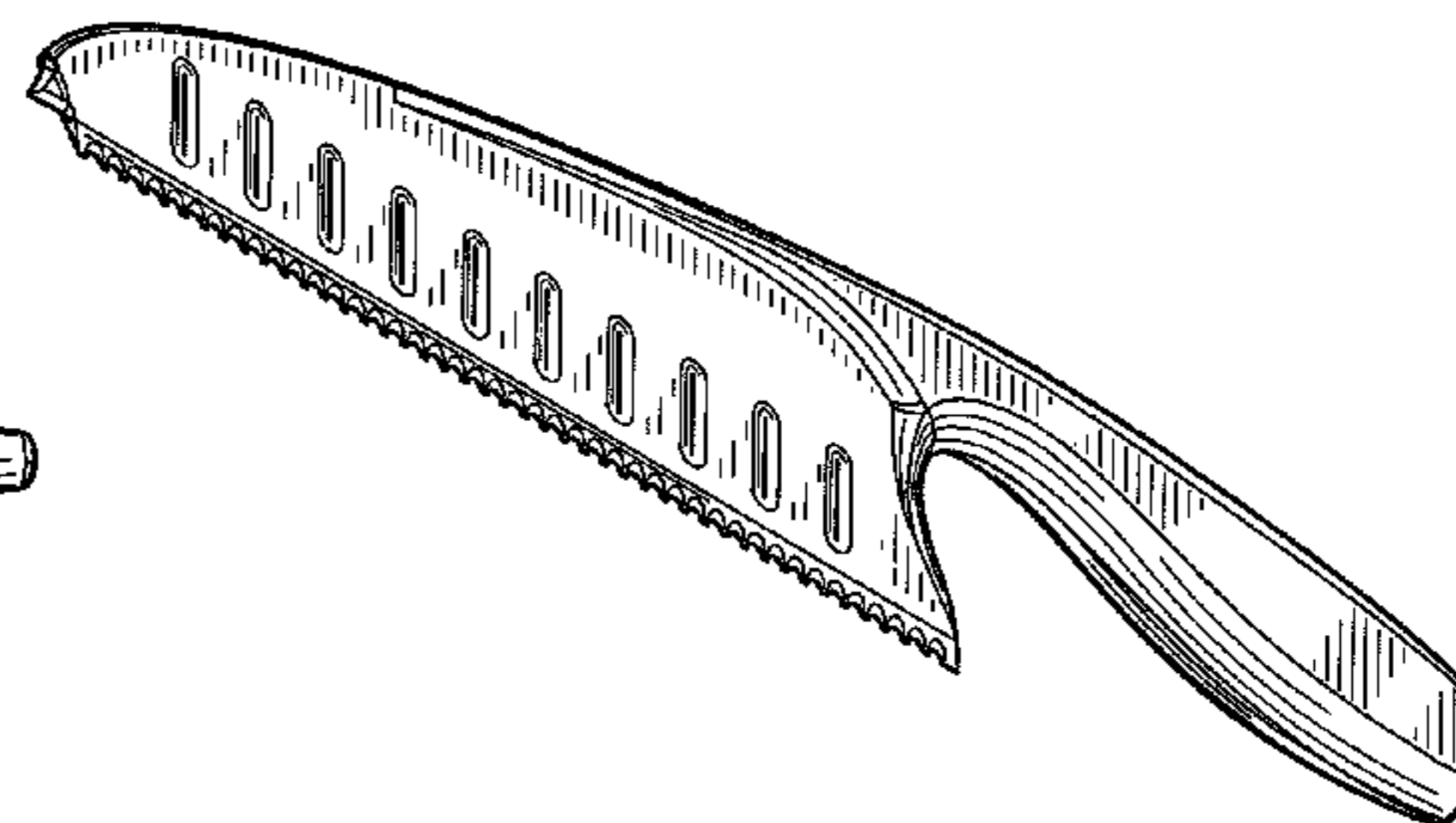
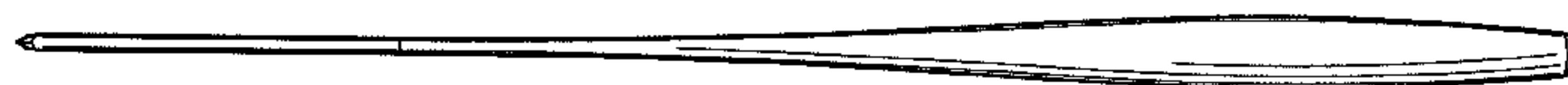
(57) **CLAIM**

I claim the ornamental design for the deli roll knife, as shown.

DESCRIPTION

- FIG. 1 is a front view of the deli roll knife;
- FIG. 2 is a right side view of the deli roll knife;
- FIG. 3 is a top view of the deli roll knife;
- FIG. 4 is a bottom view of the deli roll knife;
- FIG. 5 is a back view of the deli roll knife;
- FIG. 6 is a left side view of the deli roll knife; and,
- FIG. 7 is a perspective view of the deli roll knife.

1 Claim, 3 Drawing Sheets



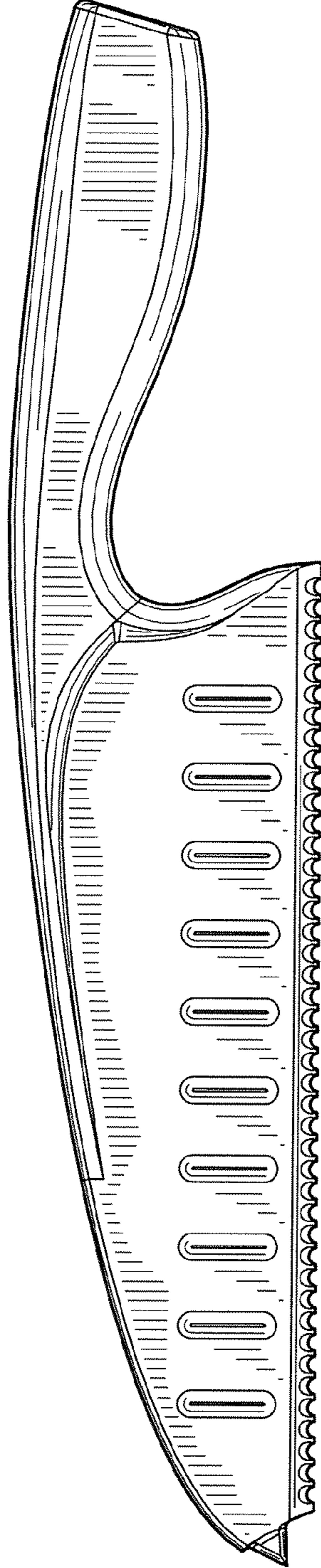


FIG. 1

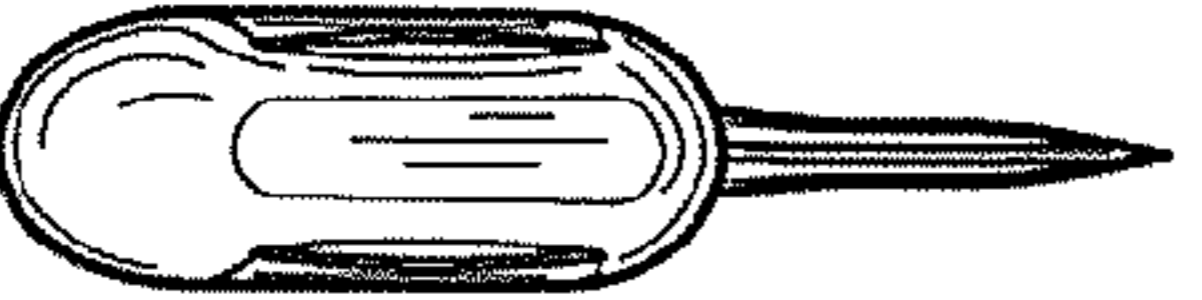


FIG. 2



FIG. 3

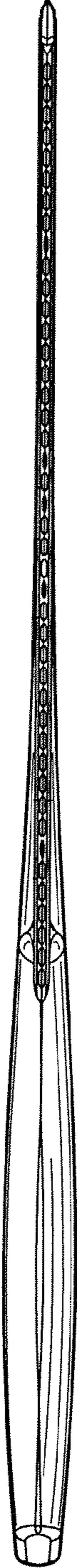


FIG. 4

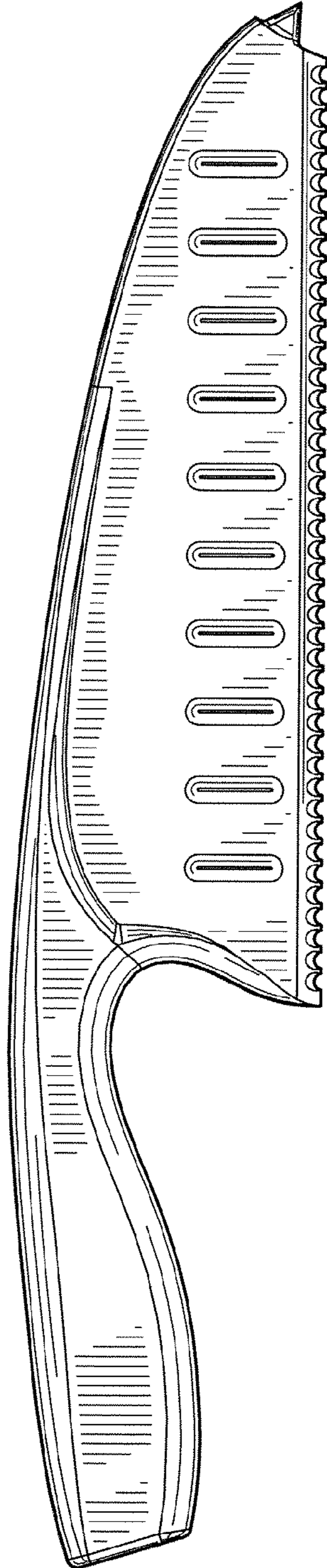


FIG. 5



FIG. 6

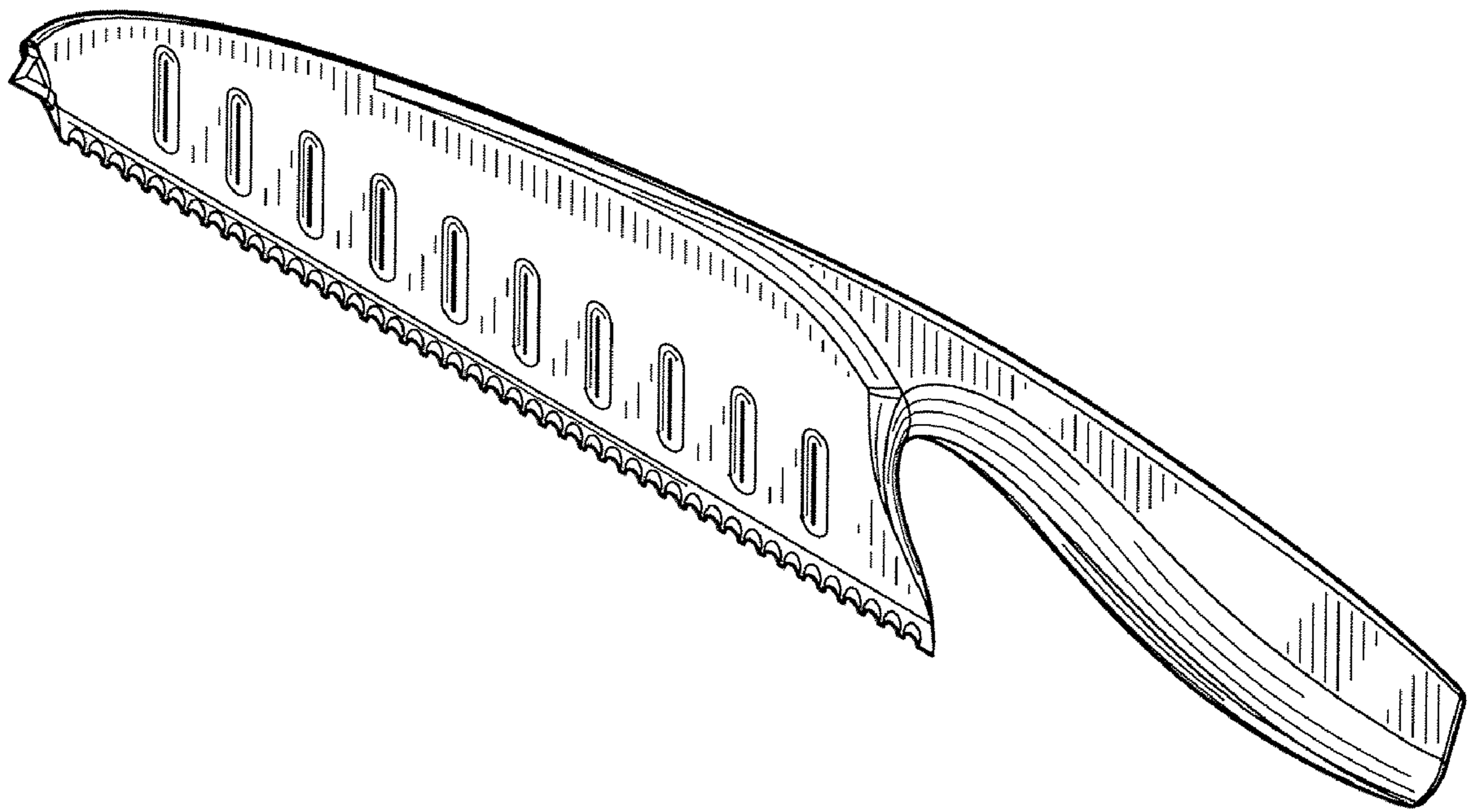


FIG. 7