



US00D554947S

(12) **United States Design Patent**  
**Ranzoni**

(10) **Patent No.:** **US D554,947 S**

(45) **Date of Patent:** **\*\* Nov. 13, 2007**

(54) **CUP AND SAUCER**

(75) Inventor: **Francesco Ranzoni**, Coccaglio (IT)

(73) Assignee: **Bialetti Industrie S.p.A.**, Coccaglio (Brescia) (IT)

(\*\*) Term: **14 Years**

(21) Appl. No.: **29/257,863**

(22) Filed: **Apr. 12, 2006**

(30) **Foreign Application Priority Data**

Jan. 20, 2005 (IT) ..... M12006O000012  
Oct. 12, 2005 (IT) ..... M12005O000163  
Oct. 28, 2005 (EM) ..... 000423637

(51) **LOC (8) Cl.** ..... **07-01**

(52) **U.S. Cl.** ..... **D7/507; D7/505; D7/536; D7/519**

(58) **Field of Classification Search** ..... D7/523, D7/530, 531, 532, 535, 509, 319, 514, 515, D7/518, 521, 613, 302, 516, 519, 506, 507, D7/529, 505, 536, 533; 220/669, 592.16, 220/592.17, 70; D24/122; D9/555, 607, D9/681; D26/11; 215/387, DIG. 7, 10; 206/520; D34/7, 9

See application file for complete search history.

(56) **References Cited**

**U.S. PATENT DOCUMENTS**

D21,419 S \* 3/1892 Ward ..... D7/516  
D85,563 S \* 11/1931 Wesp ..... D7/536  
D94,202 S \* 1/1935 Guild ..... D7/303

D102,350 S \* 12/1936 Bayreuther ..... D7/536  
D110,901 S \* 8/1938 Kuper ..... D7/536  
D148,012 S \* 12/1947 Falk ..... D7/506  
D148,013 S \* 12/1947 Falk ..... D7/506  
D148,014 S \* 12/1947 Falk ..... D7/506  
D166,289 S \* 3/1952 White ..... D7/503  
D169,377 S \* 4/1953 Kover ..... D7/516  
3,332,540 A \* 7/1967 Browning ..... 132/289  
D210,476 S \* 3/1968 Gulotta ..... D7/507  
D222,732 S \* 12/1971 Howard ..... D7/536  
D314,308 S \* 2/1991 Cogswell ..... D7/507  
D402,851 S \* 12/1998 Stauffer ..... D7/505  
D461,370 S \* 8/2002 Seager ..... D7/536  
D495,207 S \* 8/2004 Since et al. .... D7/507  
D538,598 S \* 3/2007 Haataja ..... D7/536

\* cited by examiner

*Primary Examiner*—M. N. Pandozzi

(74) *Attorney, Agent, or Firm*—Hogan & Hartson LLP

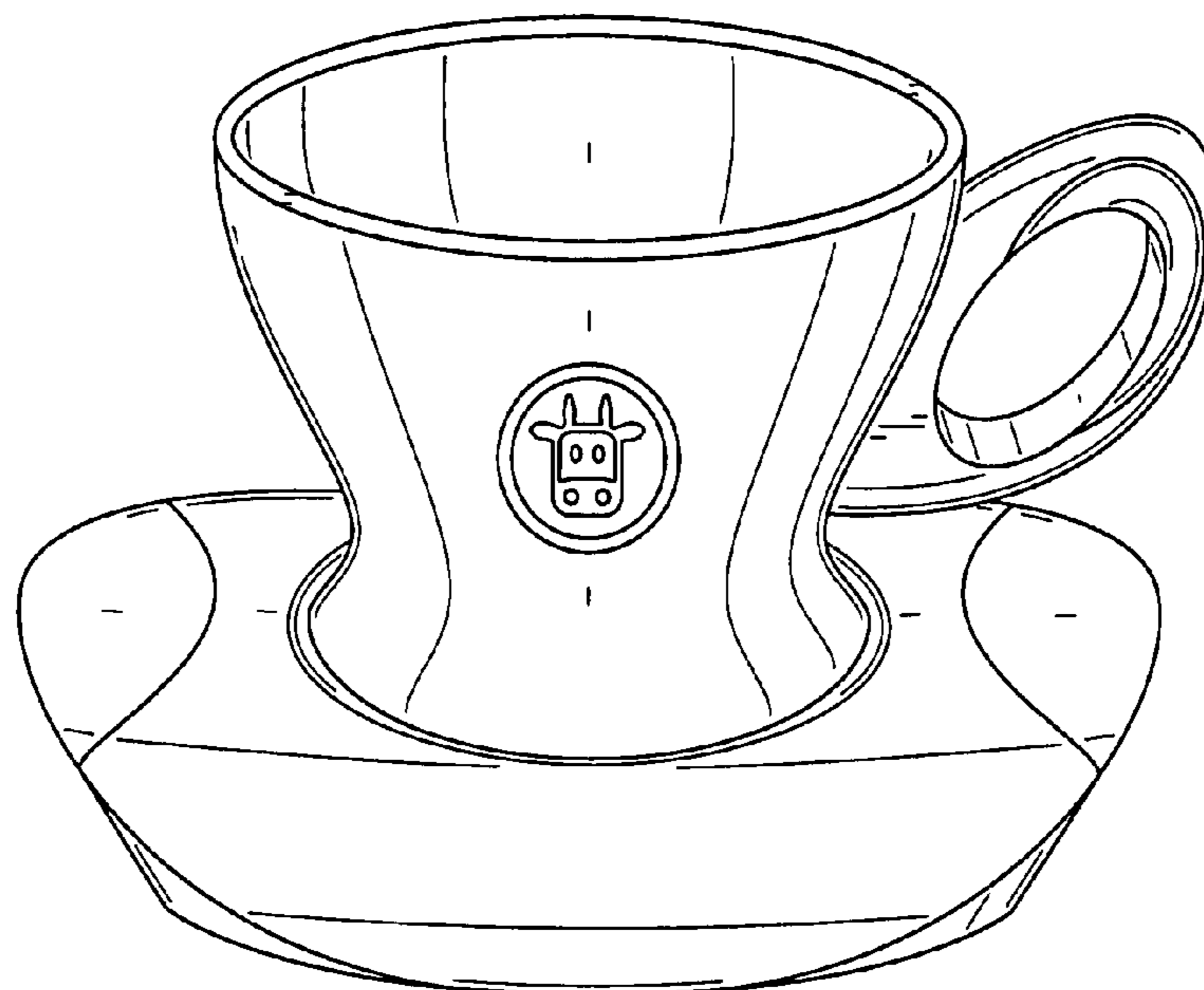
(57) **CLAIM**

The ornamental design for a cup and saucer, as shown and described.

**DESCRIPTION**

FIG. 1 is a perspective view of the cup and saucer;  
FIG. 2 is a first side view of the cup and saucer;  
FIG. 3 is a second side view of the cup and saucer;  
FIG. 4 is a top view of the cup and saucer;  
FIG. 5 is a back view of the cup and saucer; and,  
FIG. 6 is a front view of the cup and saucer.

**1 Claim, 6 Drawing Sheets**



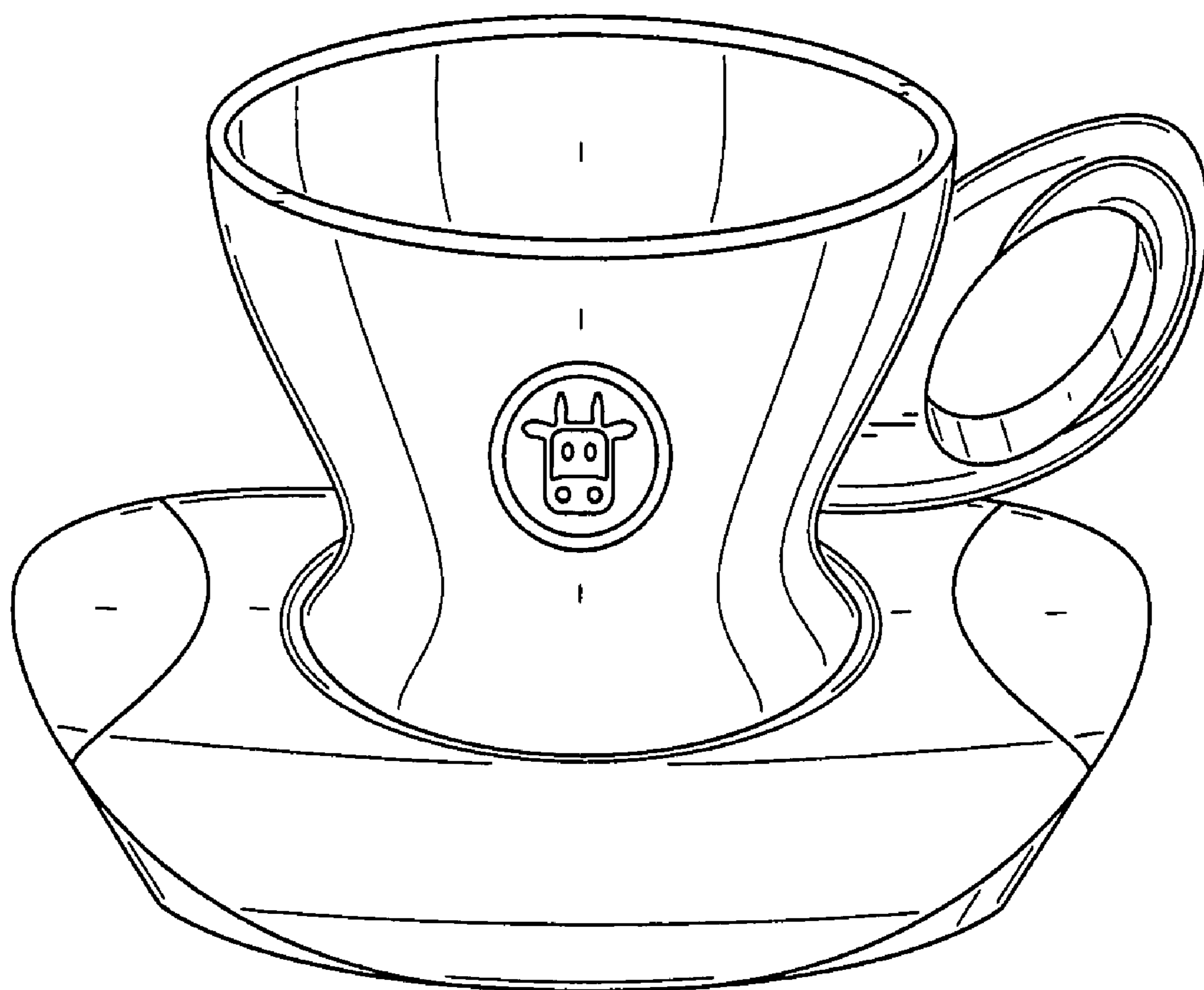


FIG. 1

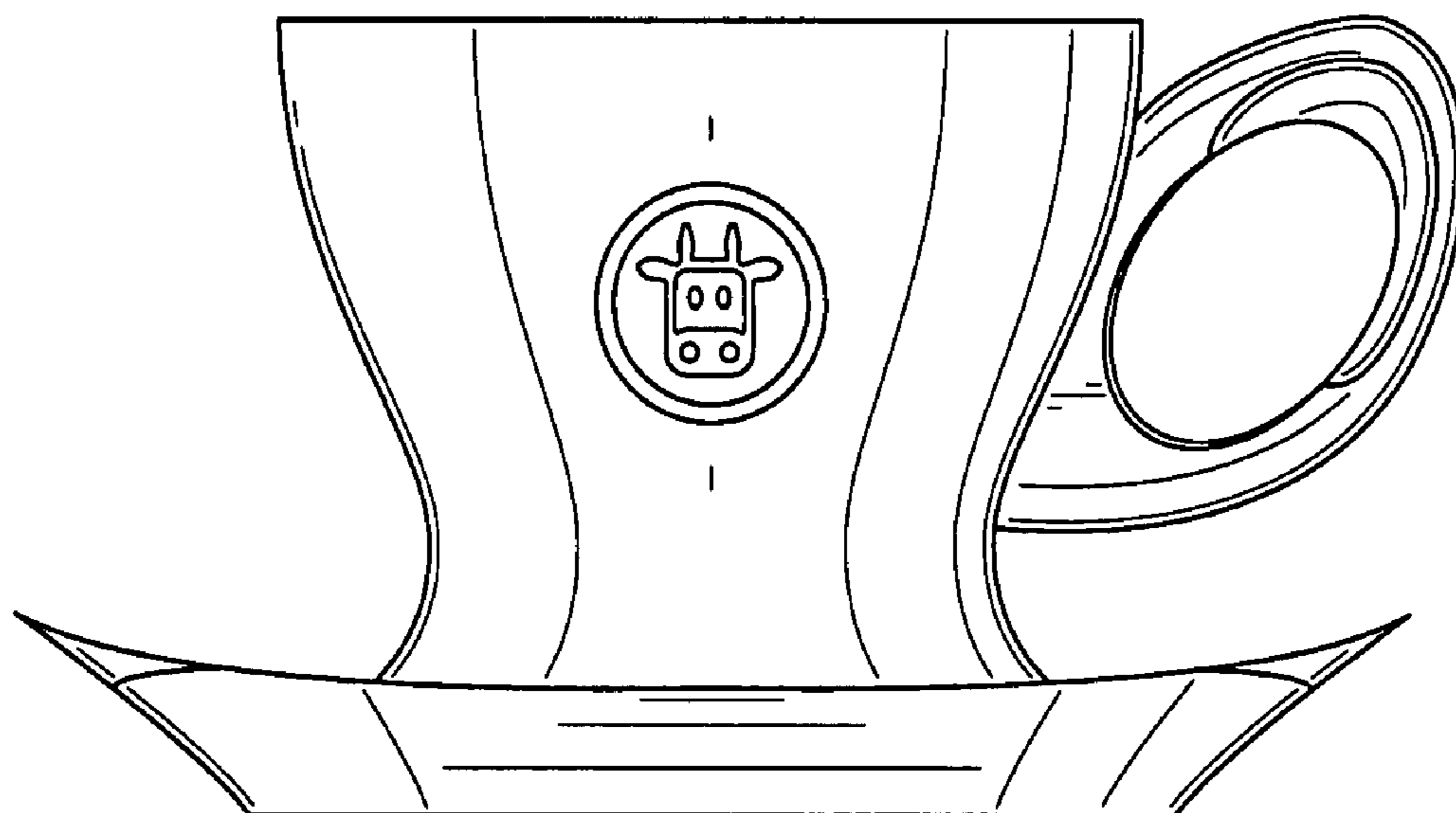


FIG. 2

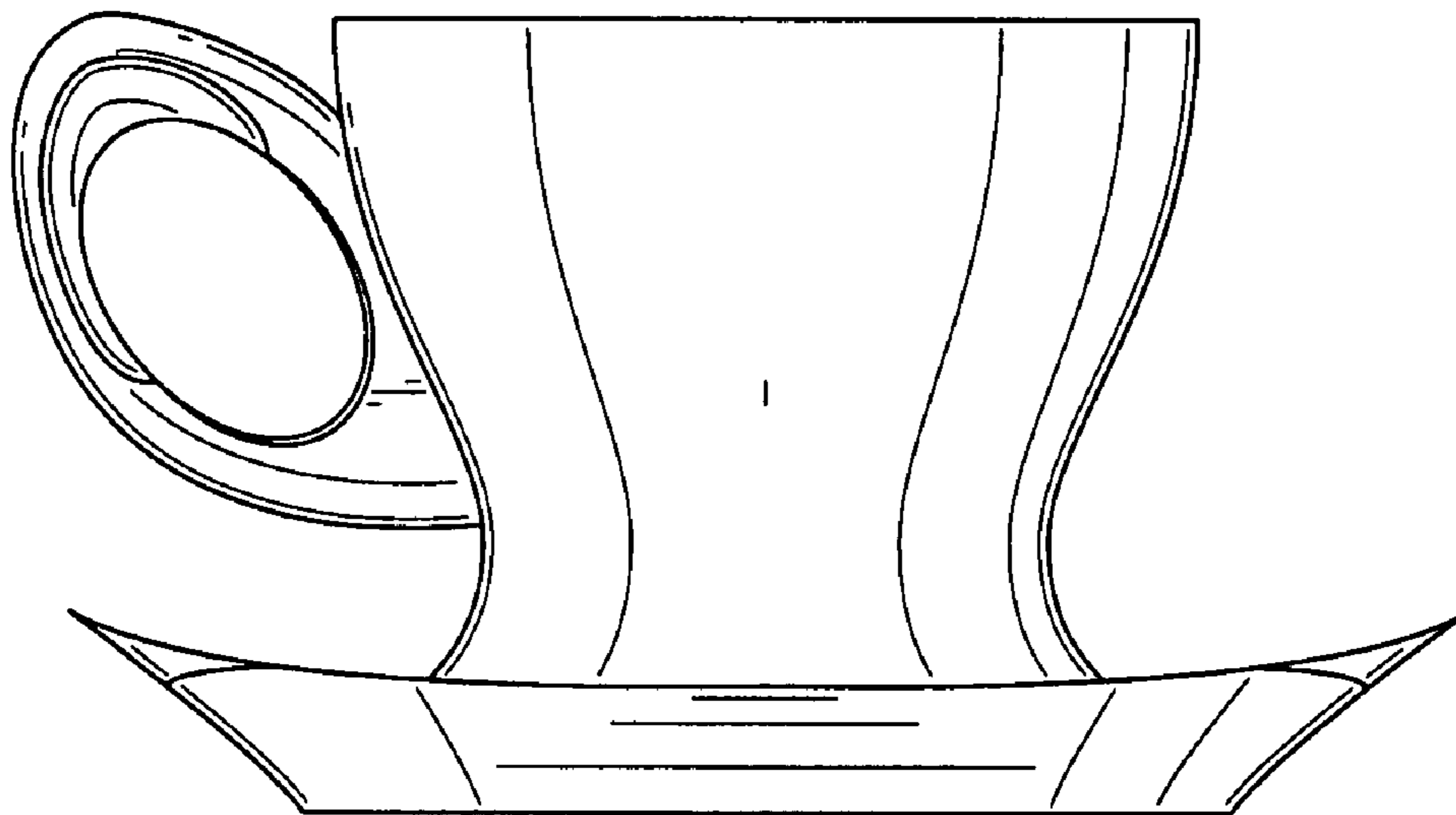


FIG. 3

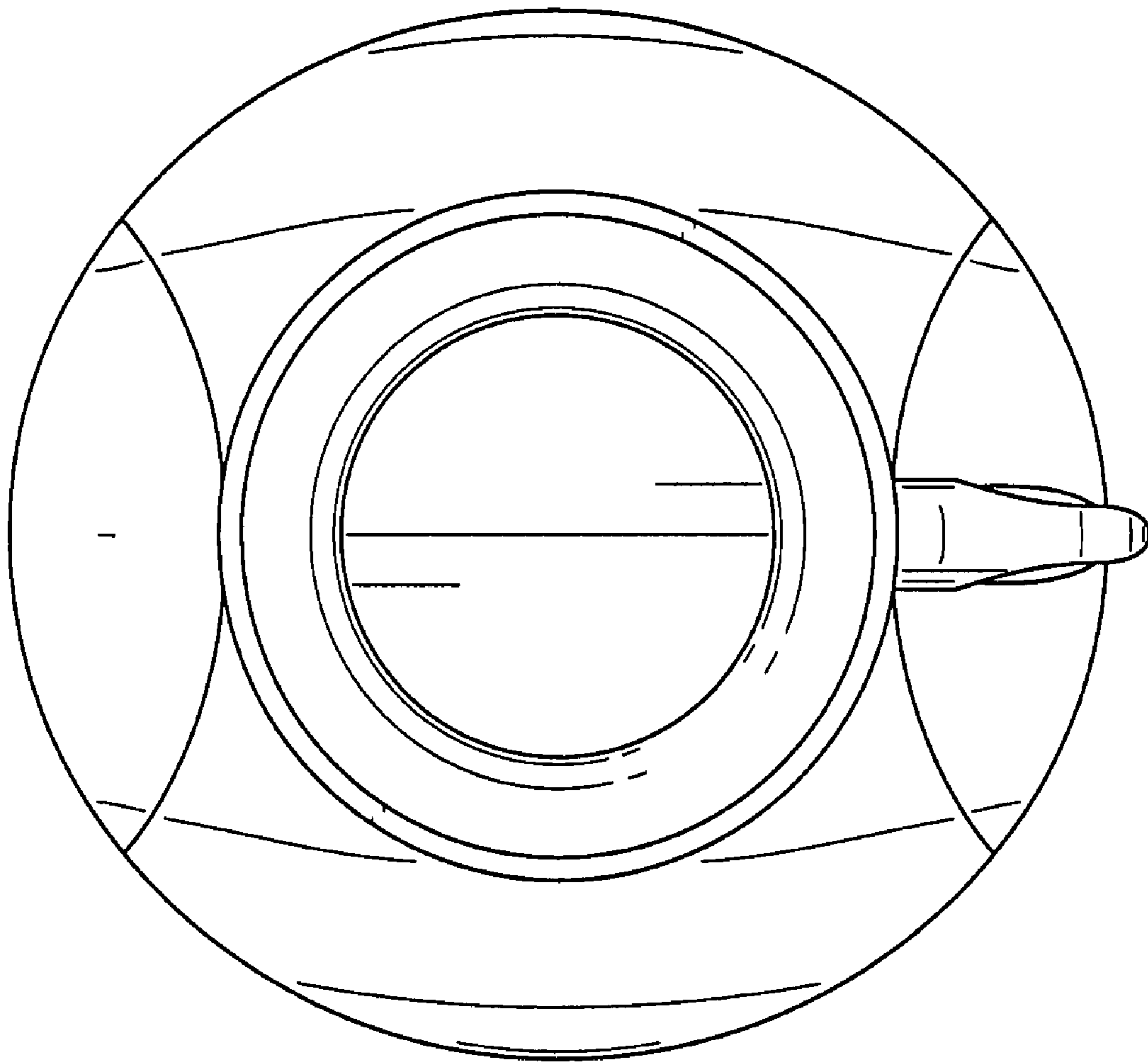


FIG. 4

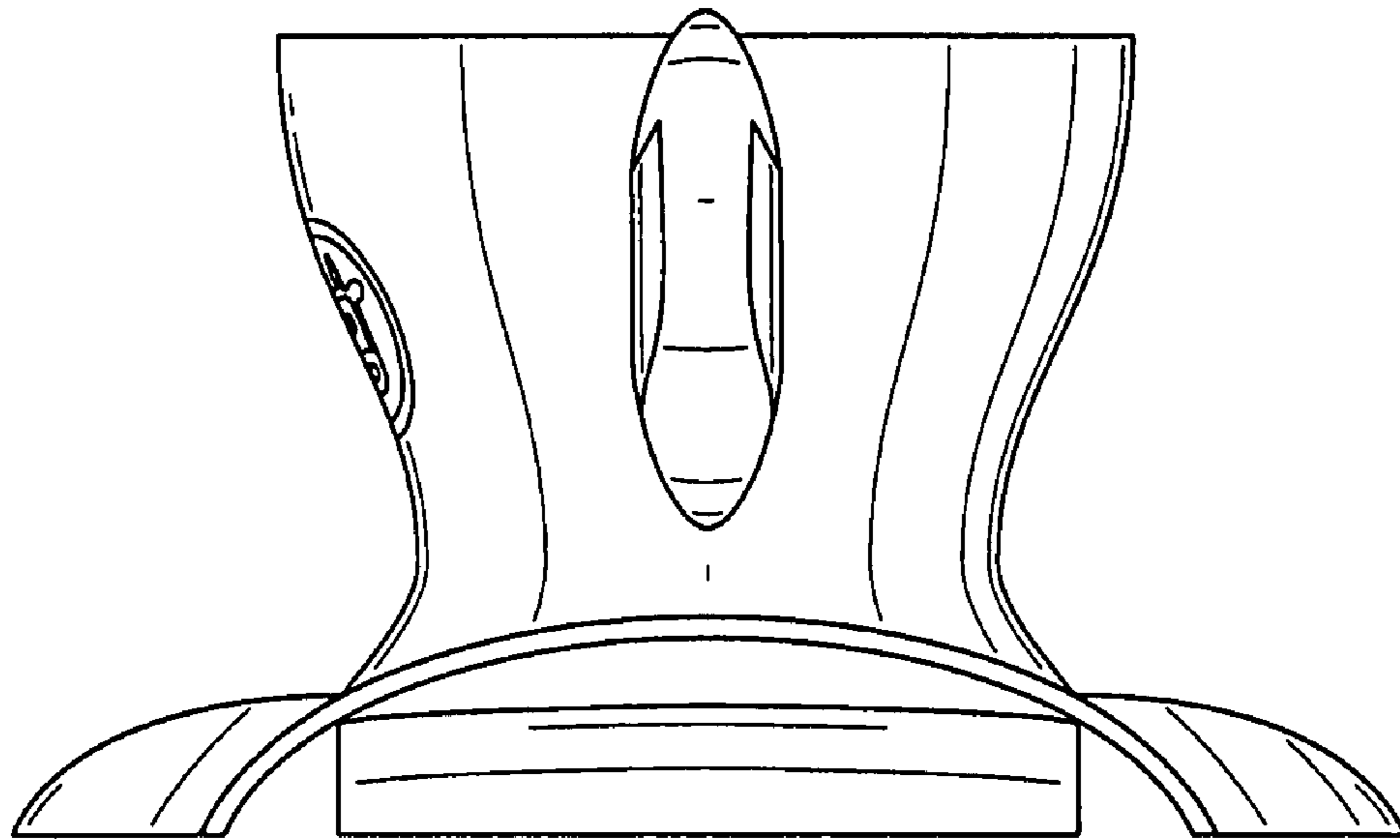


FIG. 5

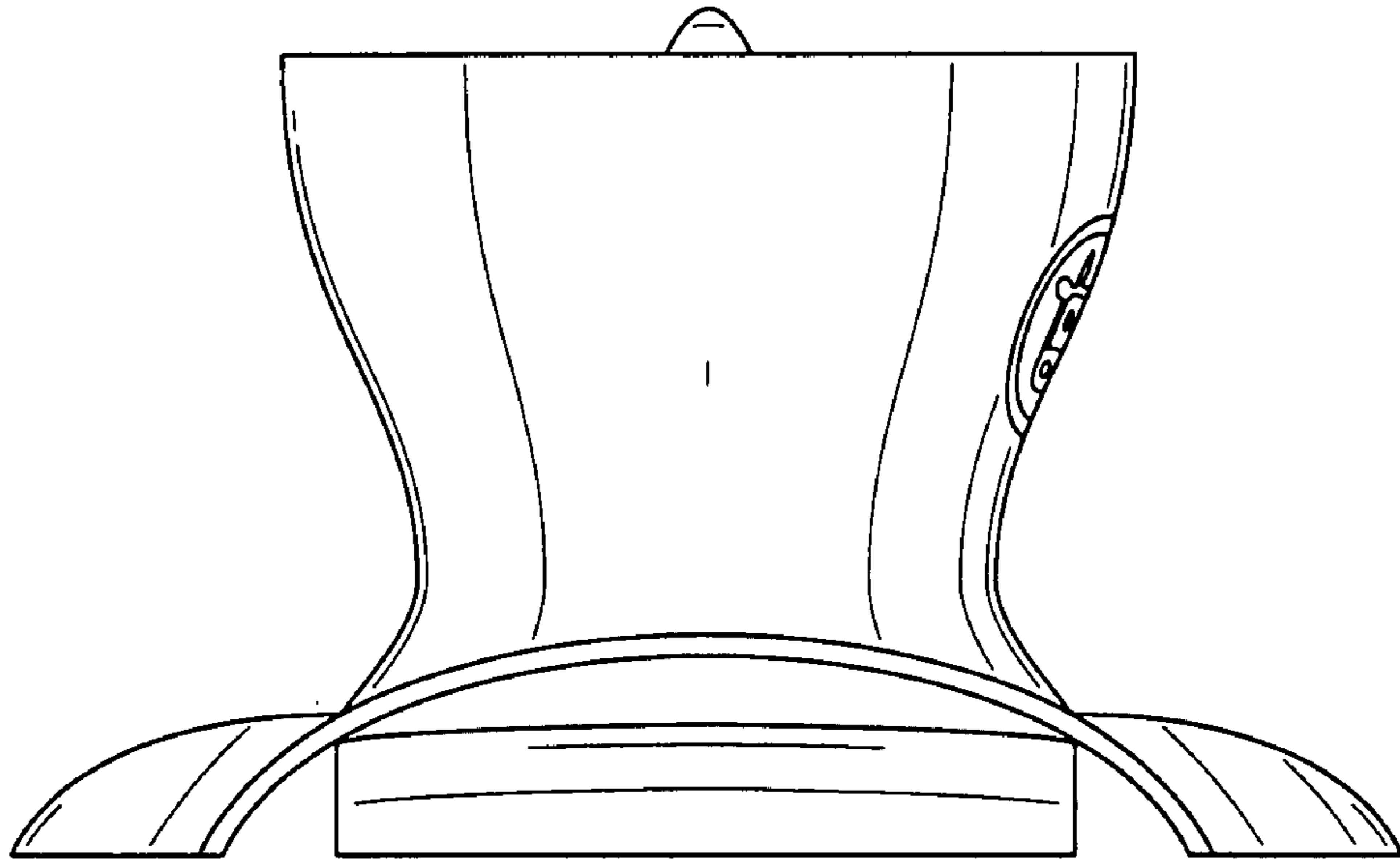


FIG. 6