



US00D554944S

(12) **United States Design Patent**
Wood

(10) **Patent No.:** **US D554,944 S**

(45) **Date of Patent:** **** Nov. 13, 2007**

(54) **GRILL LID**

(75) Inventor: **Brian Wood**, McKinney, TX (US)

(73) Assignee: **The Brinkmann Corporation**, Dallas, TX (US)

(**) Term: **14 Years**

(21) Appl. No.: **29/269,786**

(22) Filed: **Dec. 7, 2006**

Related U.S. Application Data

(62) Division of application No. 29/238,842, filed on Sep. 21, 2005, now Pat. No. Des. 536,918.

(51) **LOC (8) Cl.** **07-02**

(52) **U.S. Cl.** **D7/402**

(58) **Field of Classification Search** D7/332,
D7/334-337, 402-405, 409, 417; 126/25 R,
126/25 A, 25 AA, 25 B, 41 R, 50, 59, 59.5,
126/37 R, 9 R, 9 B, 29-30, 276; 99/340,
99/481-482, 444

See application file for complete search history.

(56) **References Cited**

U.S. PATENT DOCUMENTS

- D293,067 S 12/1987 Stephen et al.
- 4,886,045 A 12/1989 Ducate, Jr. et al.
- D316,355 S 4/1991 Stephen et al.
- 5,536,518 A 7/1996 Rummel
- 5,755,154 A 5/1998 Schroeter et al.
- D404,963 S 2/1999 Schlosser et al.
- D406,009 S 2/1999 Wagner et al.
- D406,488 S 3/1999 Bates et al.
- D406,489 S 3/1999 Williams et al.
- D417,587 S 12/1999 Wagner et al.
- D433,279 S * 11/2000 Schlosser et al. D7/402
- D438,060 S 2/2001 Campbell et al.
- D438,427 S 3/2001 Campbell et al.
- 6,332,395 B1 12/2001 Home
- D454,276 S 3/2002 Pai
- D461,359 S 8/2002 Coleman et al.
- D462,227 S 9/2002 Alden et al.
- D466,367 S * 12/2002 Johnson et al. D7/402

- D466,368 S 12/2002 Neal et al.
- D466,756 S 12/2002 Bossler et al.
- D470,357 S 2/2003 Home
- D471,057 S 3/2003 Chung
- D471,761 S 3/2003 Choi et al.
- D472,756 S 4/2003 Pai
- D474,070 S 5/2003 McKenzie
- D475,235 S 6/2003 Home
- D479,092 S 9/2003 Lewis et al.
- D485,467 S 1/2004 Pai
- D488,025 S 4/2004 Tseng
- 6,739,558 B2 5/2004 Stephen et al.
- D491,414 S 6/2004 Nichols et al.
- D491,415 S 6/2004 Rummel et al.
- D494,004 S 8/2004 Chapman
- D494,009 S 8/2004 Joss et al.
- D494,413 S 8/2004 Joss et al.
- D497,280 S 10/2004 Pai

(Continued)

Primary Examiner—Ruth McInroy

(74) *Attorney, Agent, or Firm*—Sheppard, Mullin, Richter & Hampton LLP

(57)

CLAIM

I claim the ornamental design for a grill lid, as shown and described.

DESCRIPTION

FIG. 1 is a perspective view of the a grill lid embodying the new design;

FIG. 2 is a front elevational view of the grill lid of FIG. 1;

FIG. 3 is a rear elevational view of the grill lid of FIG. 1;

FIG. 4 is a left side elevational view of the grill lid of FIG. 1;

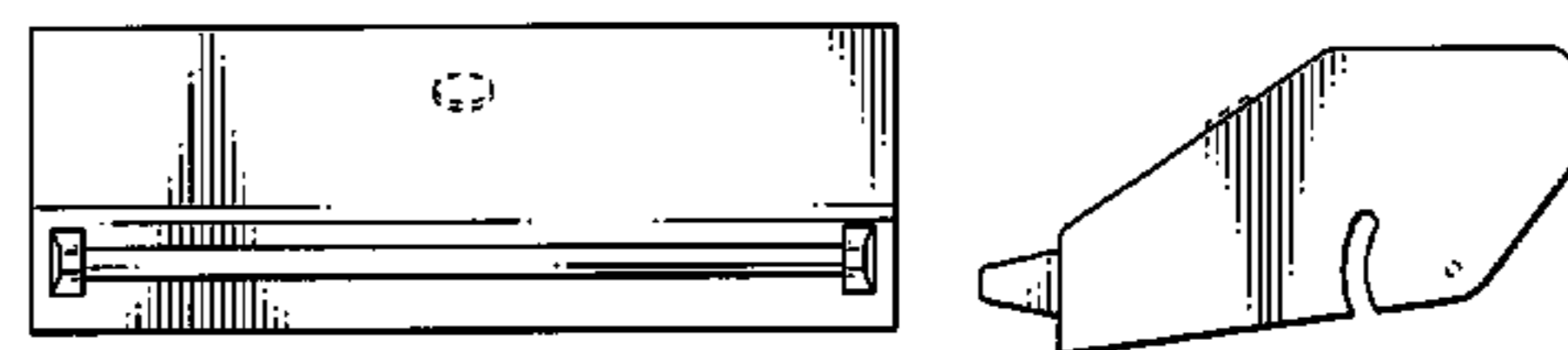
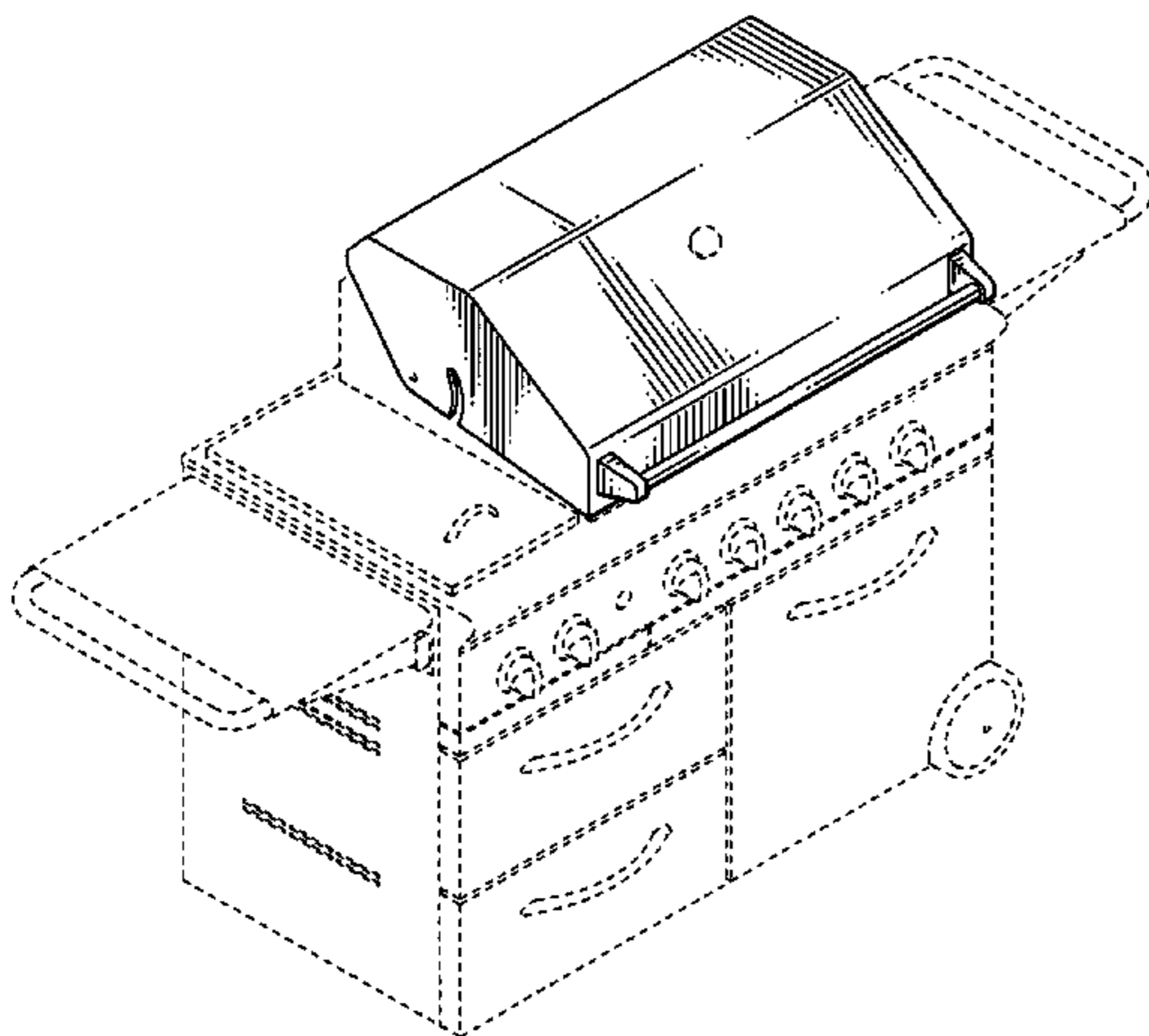
FIG. 5 is a right side elevational view of the grill lid of FIG. 1;

FIG. 6 is a top plan view of the grill lid of FIG. 1; and,

FIG. 7 is a bottom plan view of the grill lid of FIG. 1.

The broken lines in the drawings are for illustrative purposes only and form no part of the claimed design.

1 Claim, 4 Drawing Sheets



US D554,944 S

Page 2

U.S. PATENT DOCUMENTS

D497,284 S	10/2004	Pai	D512,268 S	12/2005	Pai
D499,928 S	12/2004	Zhang	D514,381 S	2/2006	Chung
D501,116 S	1/2005	Zhang	D520,298 S	5/2006	Huegerich et al.
D503,065 S	3/2005	Pai	D521,308 S	5/2006	Tseng
D504,048 S	4/2005	Joss et al.	D527,947 S *	9/2006	Pai D7/402
D508,363 S	8/2005	Chung	D536,918 S *	2/2007	Wood D7/334
6,923,172 B2	8/2005	Muldoon	D538,592 S *	3/2007	McKenzie D7/402
6,925,998 B2	8/2005	Bruno et al.	2006/0054156 A1	3/2006	Zelek et al.
6,935,327 B1	8/2005	Williams et al.	2006/0144385 A1	7/2006	Coleman et al.

* cited by examiner

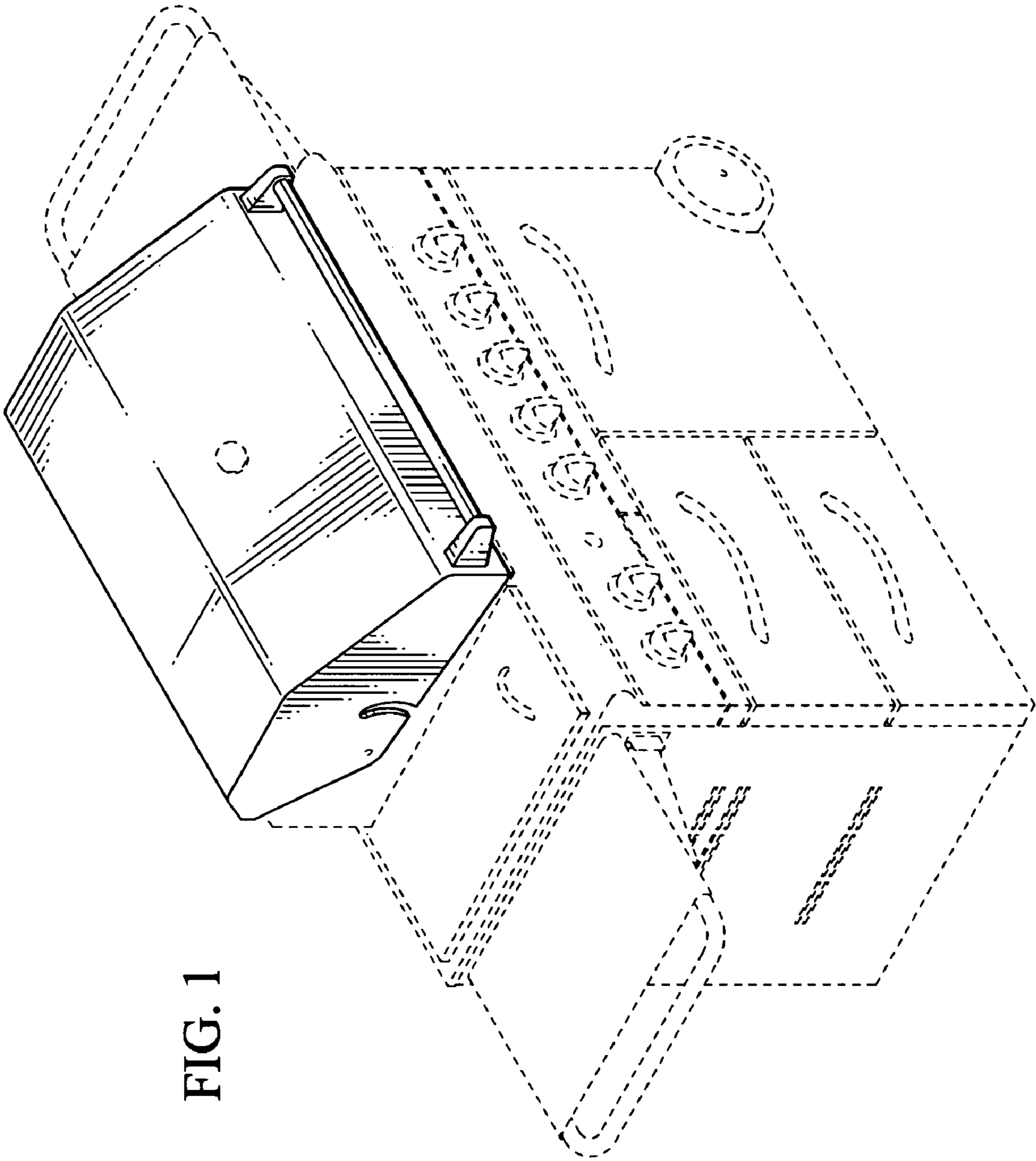


FIG. 1

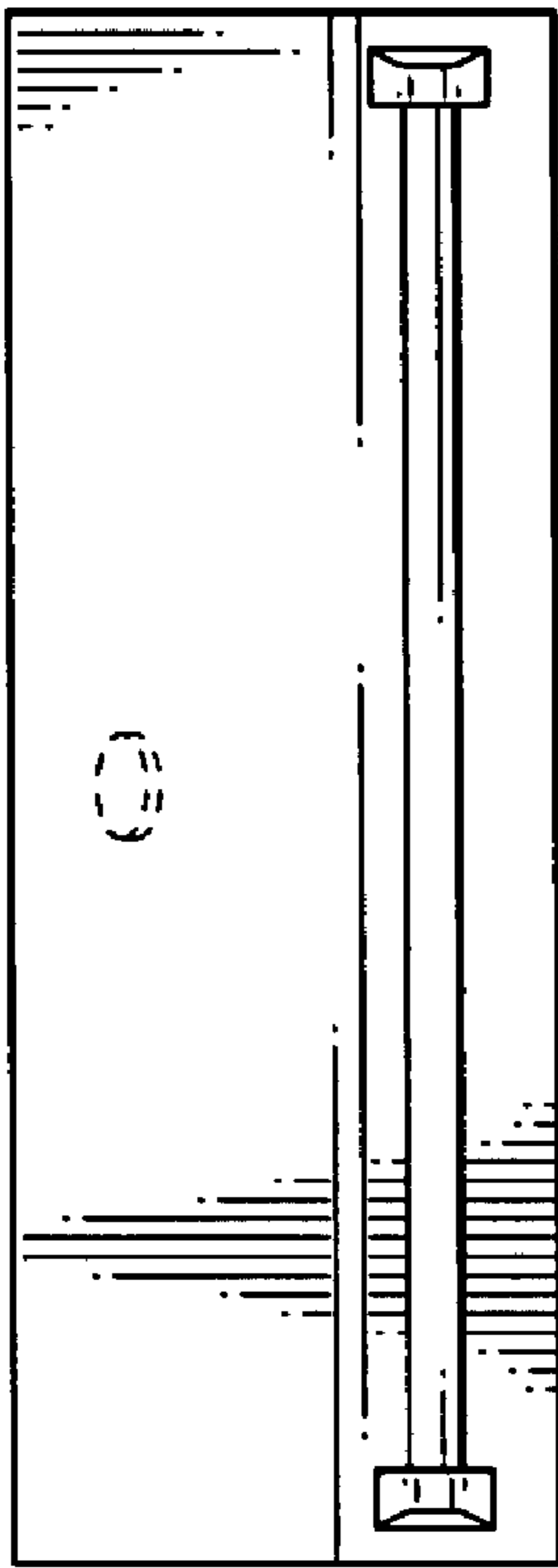


FIG. 2

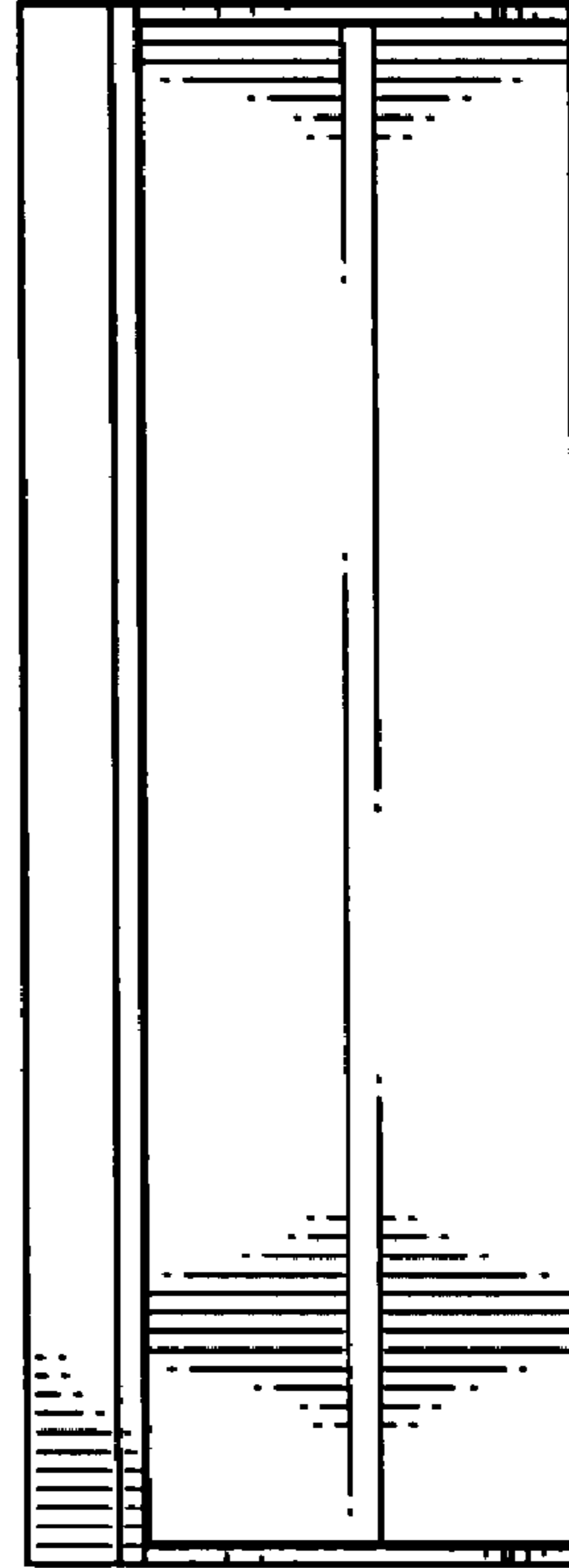


FIG. 3

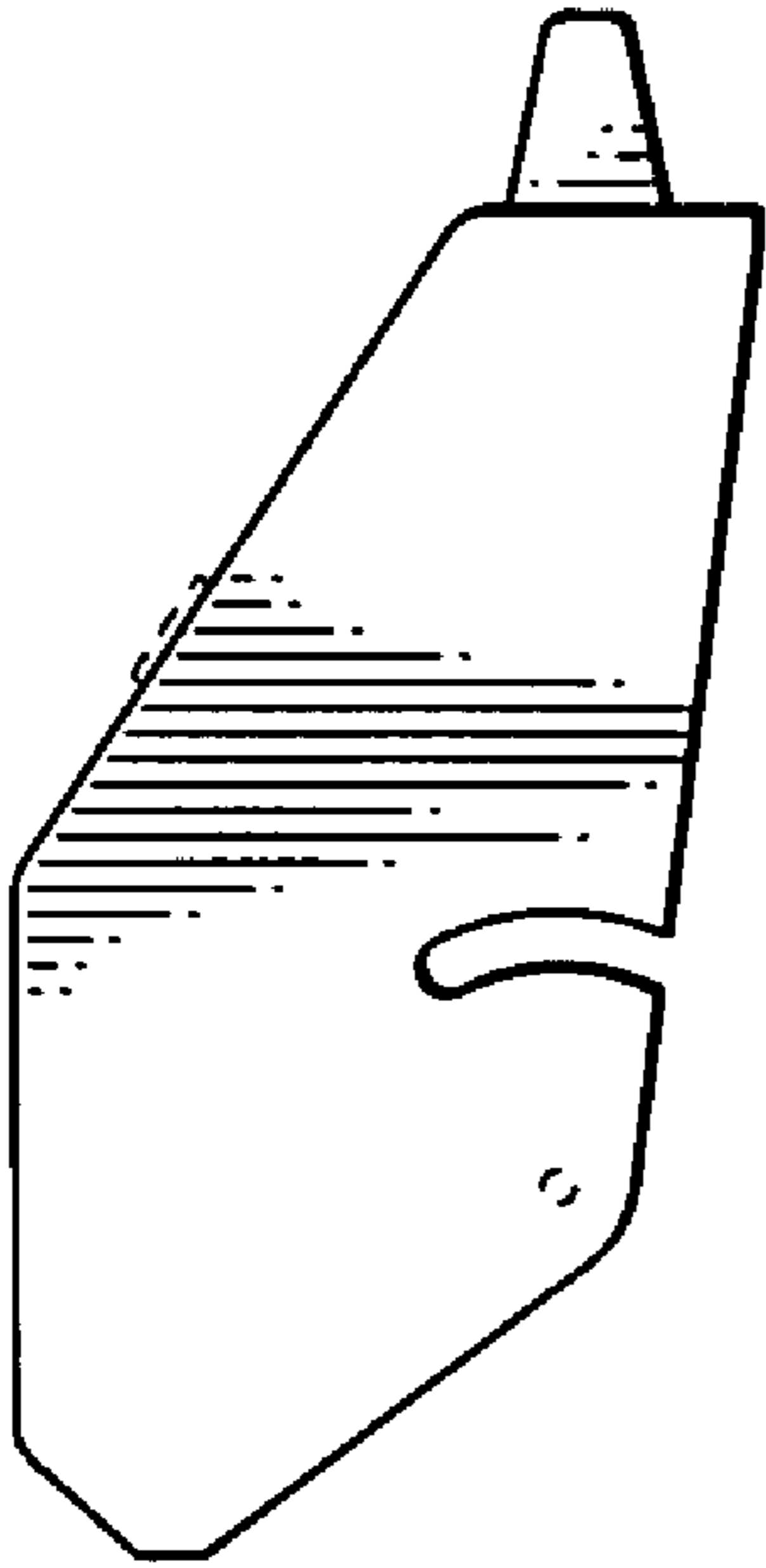


FIG. 4

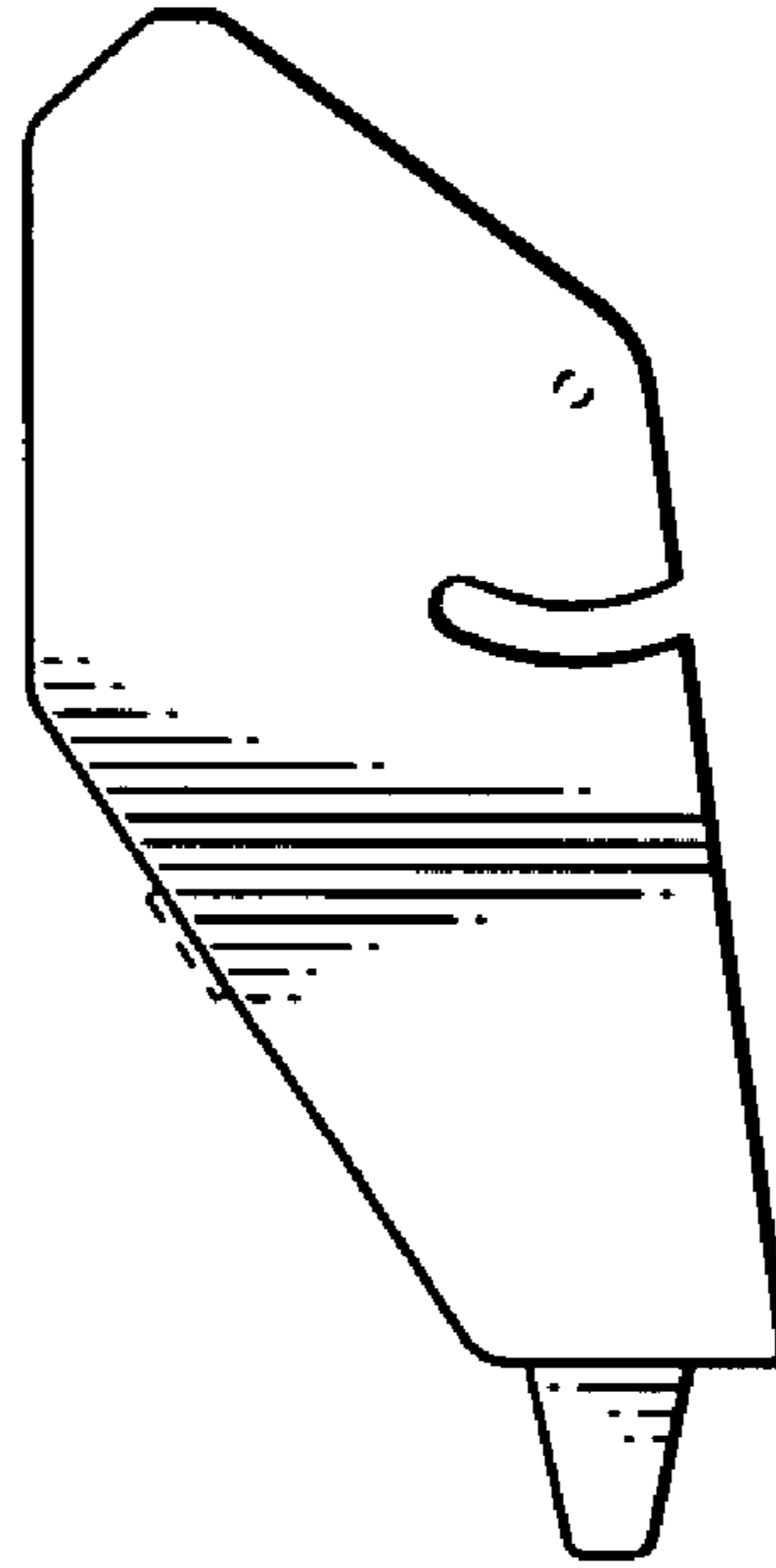


FIG. 5

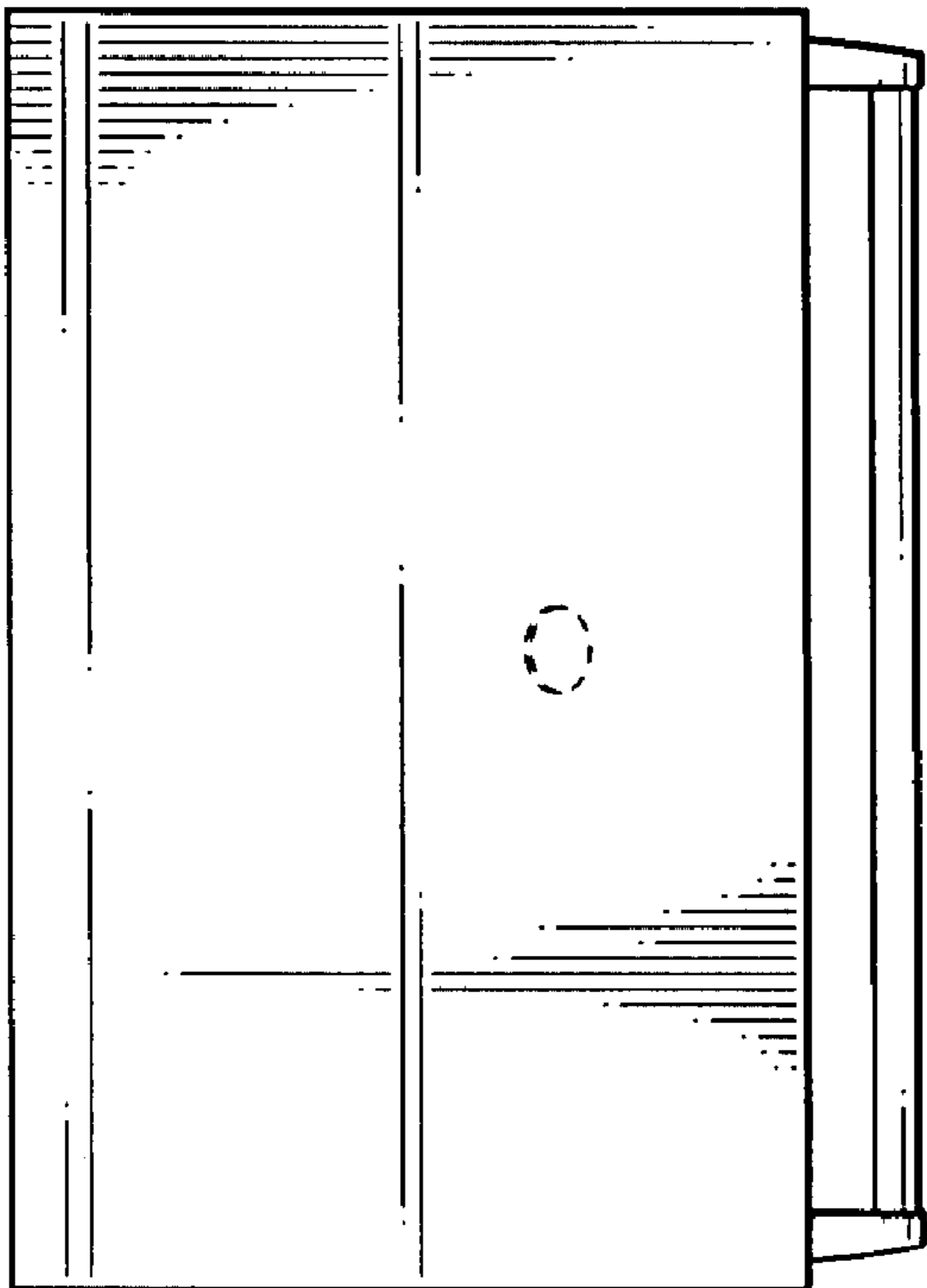


FIG. 6

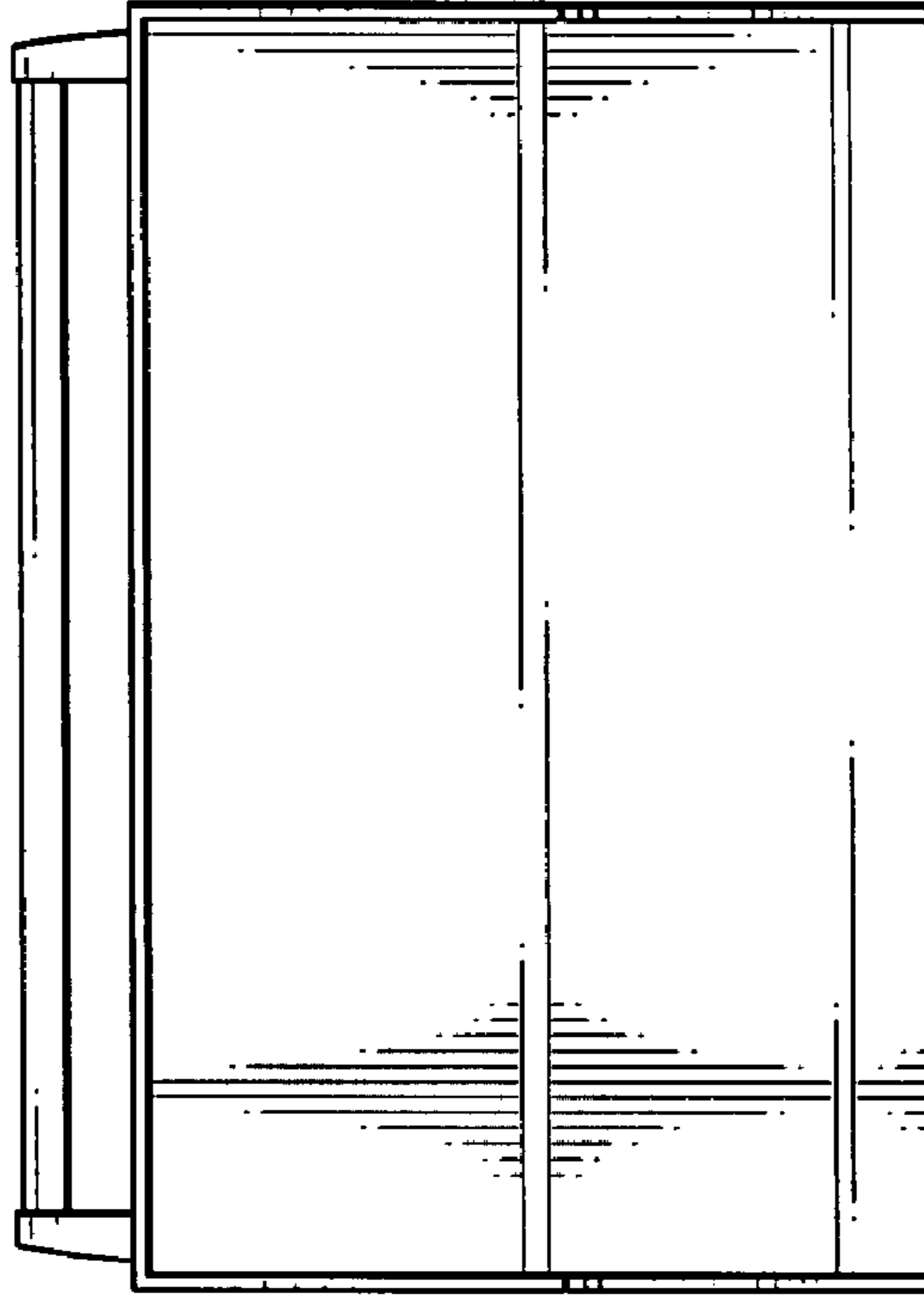


FIG. 7